



Reviewed for Code Compliance
Inspections Division
Approved with Conditions
Date: 11/23/15

Temporary Winter Vestibule Permit, v2 10/20/2015
BaoBao Dumpling House
133 Spring St., Portland, ME

Owner/Contact:
Cecile Stadler 299-2068
cecile@tao-maine.com

We would like to create a temporary enclosure of the existing external vestibule at 133 Spring St to prevent cold air blasts from coming into the restaurant during the winter months. The enclosure would be temporary, and constructed out of polycarbonate panels per the outline in yellow below:

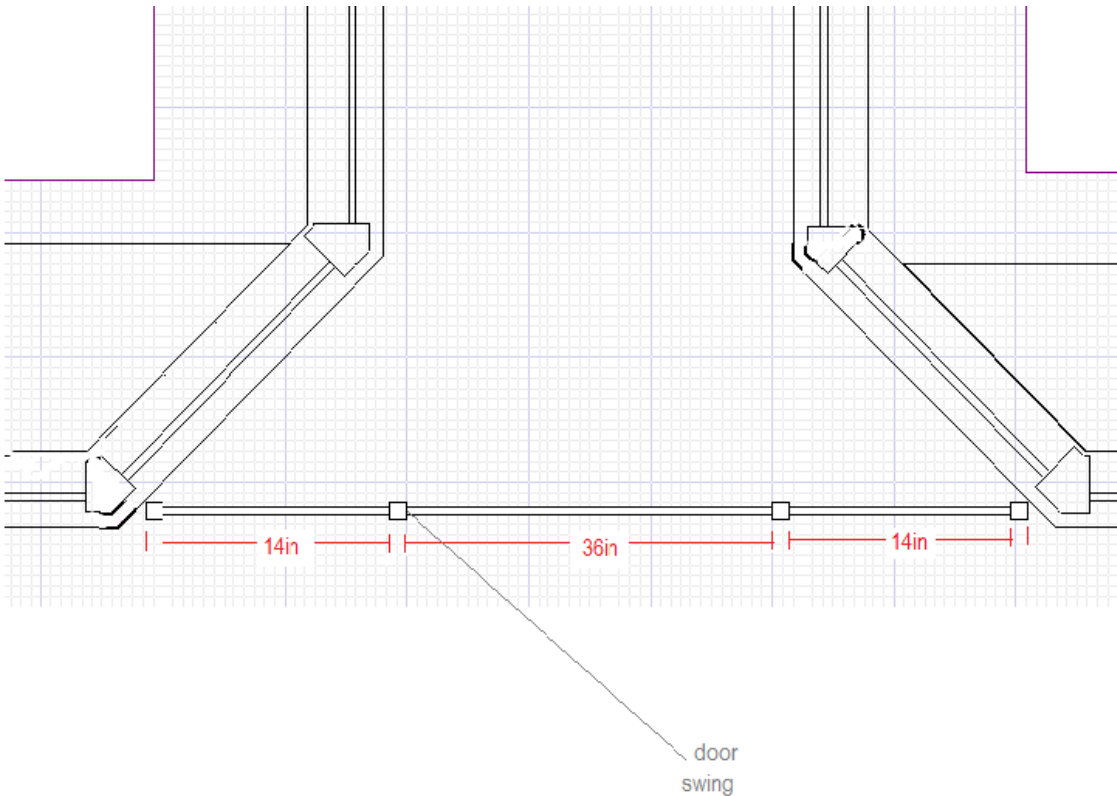


The dimensions of this opening are 68" wide by 96" tall.
Door is 36x80, swings outward
Side panels are 16x96
Transom panel is 36x16

Framing would be 2x2 sq black metal to match existing exterior trim. Vertical poles will be bolted into cement and to the underside of the storefront vestibule. Panels and door will be clear polycarbonate - the same material used for greenhouses and bullet proof glass. Polycarbonate is lighter, shatterproof, and has better insulating qualities than glass.



Reviewed for Code Compliance
Inspections Division
Approved with Conditions
Date: 11/23/15



The structure would be secured via 4 2x2 black metal posts that go from the concrete to the underside of the vestibule. There are many framing kits available for polycarbonate panels, a sample spec sheet is attached. There will be no attachment to the current window frames or brick, but two custom cut wood pieces will be made to fill-in the gap between the posts and the brick sill and window edges.

The entire structure will be within the existing building footprint. The building /storefront is 8 ft from the edge of the sidewalk / street line, so an out swinging door will not prevent passage of existing foot traffic.

Please feel free to contact me with any questions or concerns. As the colder temps have already arrived, and this structure is a very simple temporary enclosure (I think of it as a glorified curtain), I hope the various inspectors and HP committee can move this along quickly.

Thank you in advance.

Cecile Stadler
cecile@tao-maine.com
207 299-2068 (cell)

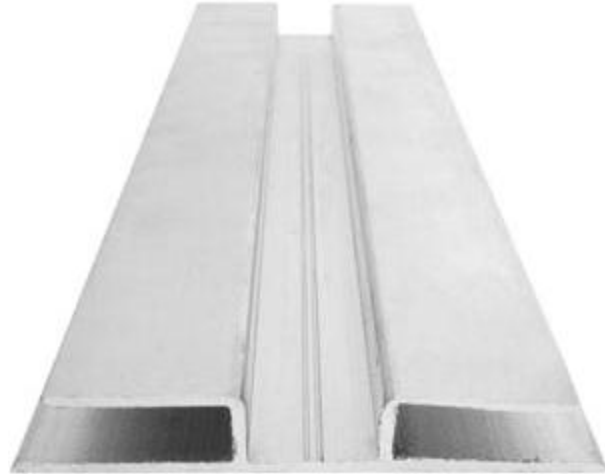
Sample polycarbonate fastening system (there are many available):

https://www.growersupply.com/farm/supplies/prod1;gs_greenhouse_polycarbonate;pg104212.html

Polycarbonate Fastening System

Simplify assembly with these aluminum and polycarbonate profiles and channels.

- Helps keep out dirt, insects and moisture.
- Allows for a finished, professional look.
- H-Channel: Use to join two polycarbonate sheets together.
- U-Channel: Use to cap off top and bottom of polycarbonate sheets.
- U-Profiles are designed for use with both 8 mm and 10 mm polycarbonate only.
- Channels and Profiles simplify assembly and offer a professional, finished appearance.
- Gable Flash (104546): Use on end bows when end walls are covered with polycarbonate.
- End Cap (104548): Use around doors, vents and fans. For use with 8 mm polycarbonate only.
- 55" Ridge Cap (CG96174): Manufactured from 24-gauge galvanized sheet metal and offers a finished, professional appearance to your greenhouse.



Item #	Description	Price	More Info
104212	Aluminum H-Channel - 8'L	\$17.86 /EA	More Info
104213	Aluminum U-Profile - 8'L	\$10.98 /EA	More Info
104548	End Cap - 8'L	\$13.69 /EA	More Info
104546	Gable Flash - 8'L	\$16.34 /EA	More Info
111928	Polycarbonate H-Channel - 8'L	\$16.49 /EA	More Info
111929	Polycarbonate H-Channel - 12'L	\$23.59 /EA	More Info
111930	Polycarbonate U-Profile - 12'L	\$15.45 /EA	More Info
CG96174	Ridge Cap - 55"L	\$19.95 /EA	More Info



Reviewed for Code Compliance
Inspections Division
Approved with Conditions

Date: 11/23/15



Square galvanized tubing at (also many suppliers):

https://www.growerssupply.com/farm/supplies/prod1;gs_greenhouse_benches_shelves;pg104624.html

Heavy Duty Galvanized Square Tube Fittings

Build your own heavy-duty bench frames. Create squares and rectangles. Any shape you desire is possible! Make your own end frame kits with our heavy-duty galvanized square tube fittings.

- Accommodates both 1.5" square tube (goes in) and 2" square tube (goes over).
- Fasten fittings with our #14 x 1 zinc-plated, self-drilling Tek Screws, sold in bulk packaged quantities of 100.



Item #	Description	Price
104624	Square Tube Fittings - 1 Way with Plate	\$3.99 /EA More Info
104625	Square Tube Fittings - 2 Way Connector	\$5.25 /EA More Info
104626	Square Tube Fittings - 3 Way Connector	\$6.25 /EA More Info
104627	Square Tube Fittings - 4 Way Connector	\$6.75 /EA More Info
104628	Square Tube Fittings - Middle Coupler	\$3.85 /EA More Info



Possible door:

https://www.farmtek.com/farm/supplies/prod1;ft_greenhouse_equipment-ft_greenhouse_doors;pg104706.html

[Home](#) > [Greenhouse Equipment](#) > [Greenhouse Doors](#)

Pre-Hung Greenhouse Door

Upgrade your greenhouse with our attractive, high quality, pre-hung door!

- 36"W x 80"H hinged single door.
- Manufactured from heavy-duty, powder-coated aluminum with 6mm polycarbonate sections at both top and bottom for optimum light transmission.
- Flange, that provides tight seal against framework, stainless steel hinges and lever lock are all included.
- Create your own door frame opening using our 1.5" square galvanized tubing (102897), sold separately.

Our Price: **\$379.00/EA**

Quantity:

ADD TO CART

Item Number: **104706**

Availability: **Usually ships in 24 hours**

LIVE CHAT Like 0

