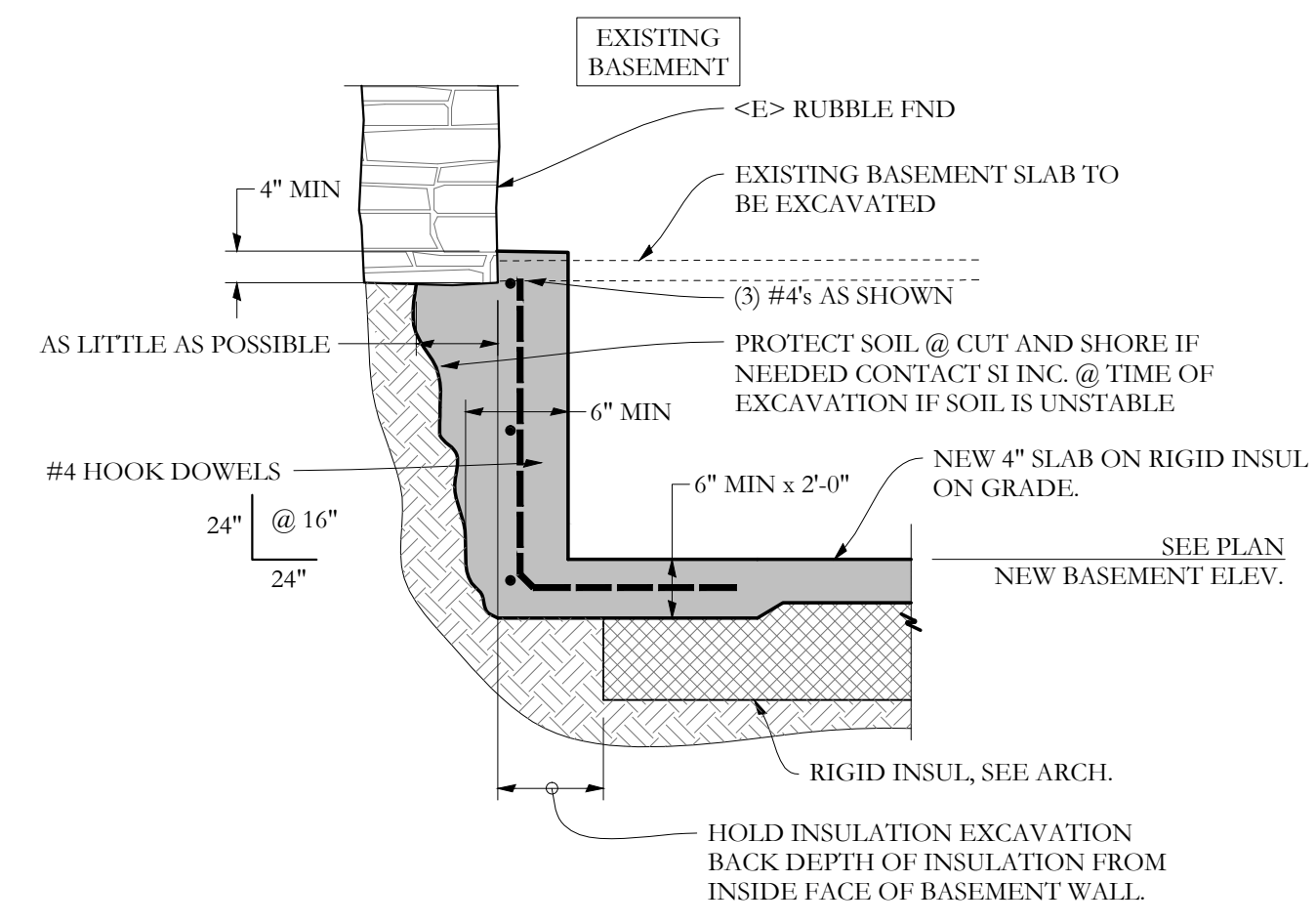
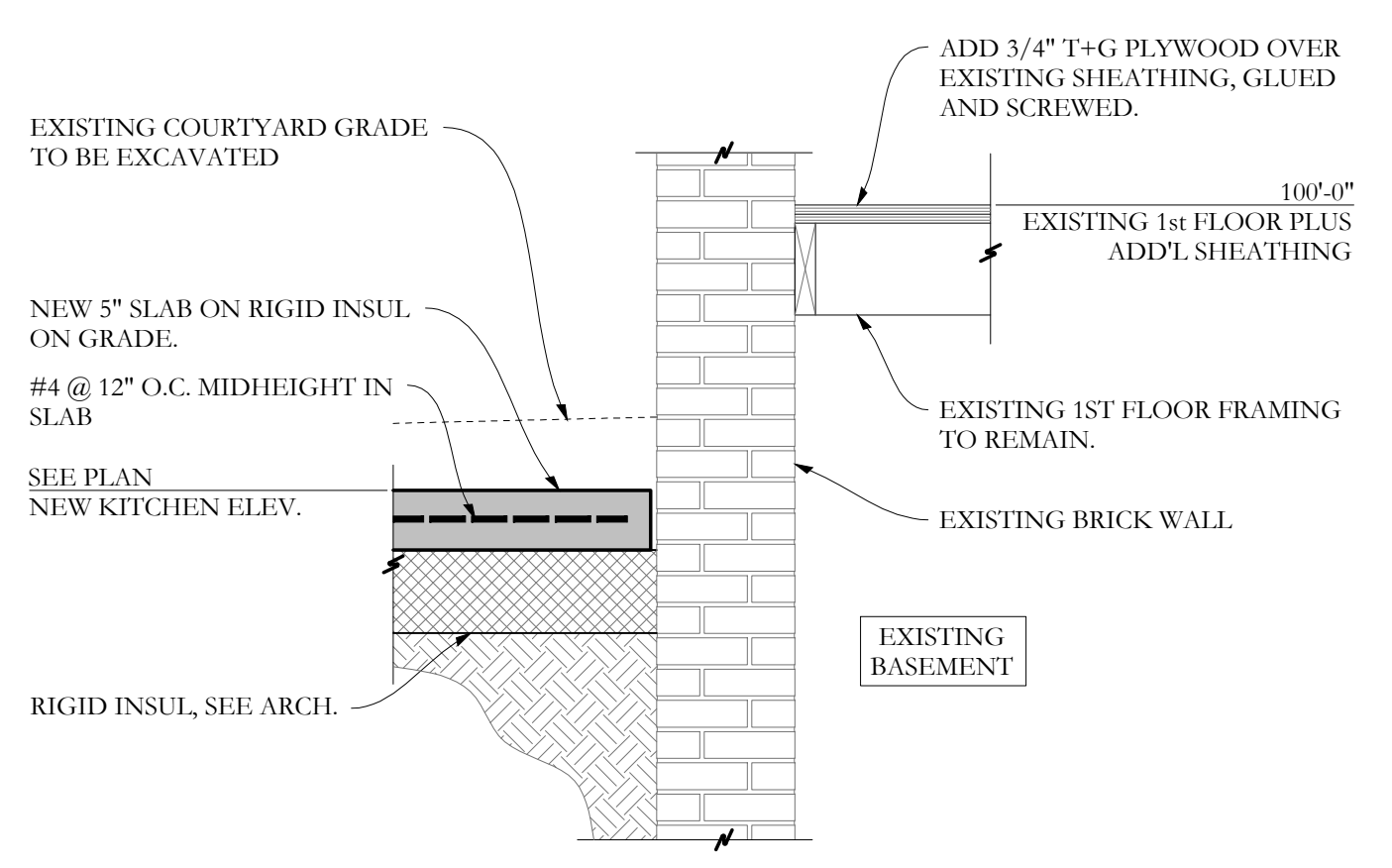


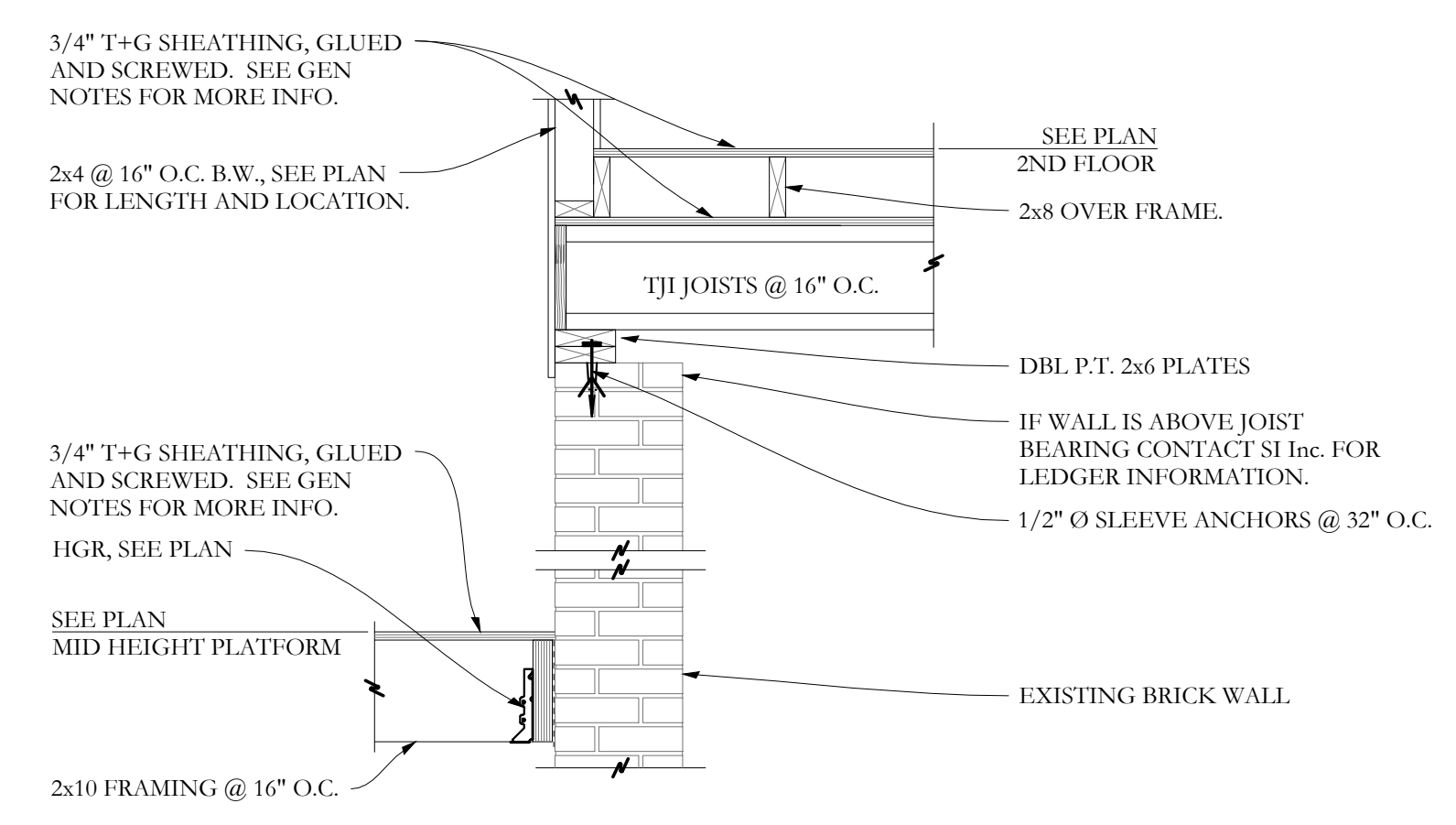
SECTION E/S2-1 3/4"=1'-0



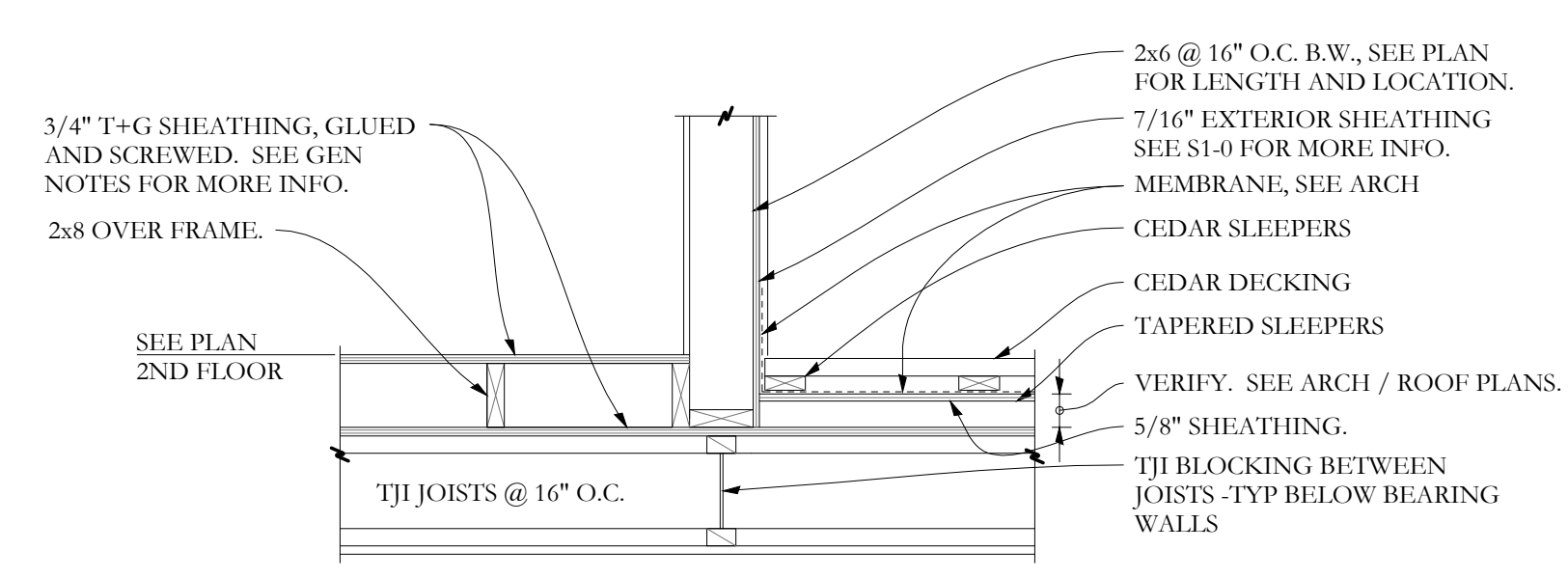
SECTION F/S2-1 3/4"=1'-0



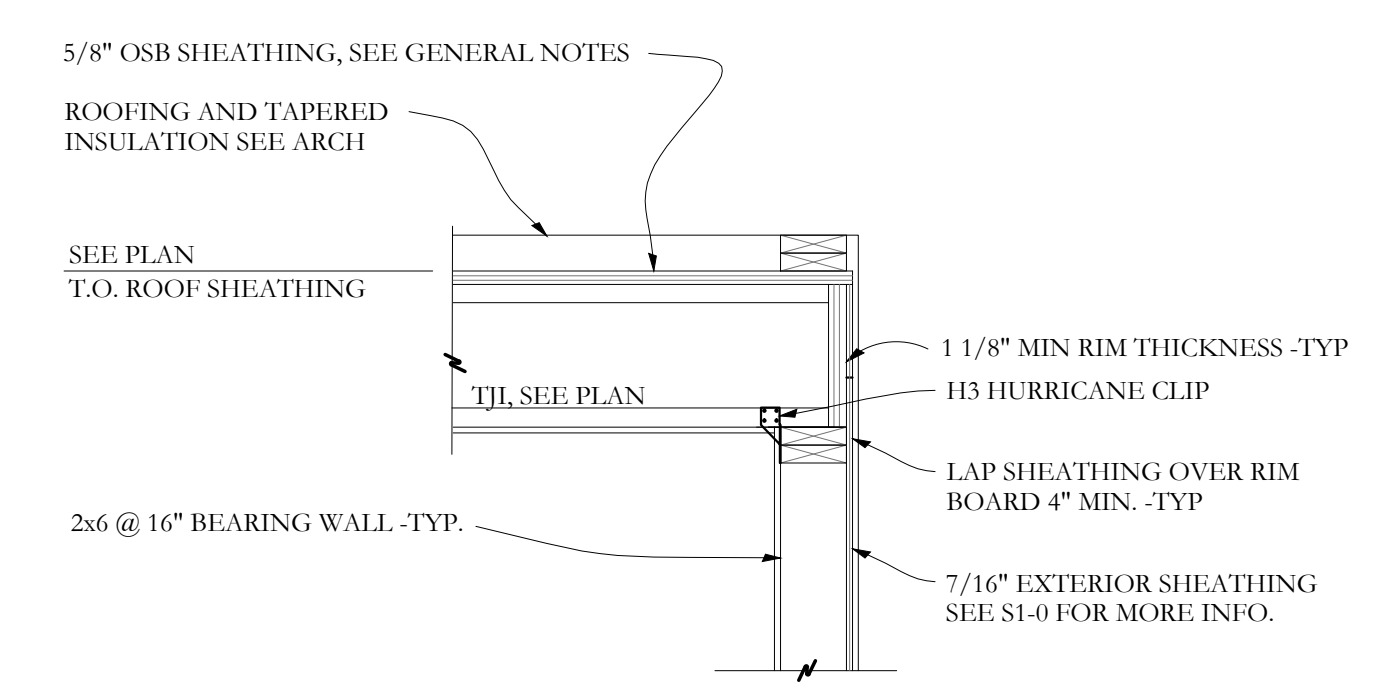
SECTION A/S2-1 3/4"=1'-0



SECTION B/S2-1 3/4"=1'-0



SECTION C/S2-1 3/4"=1'-0



SECTION D/S2-1 3/4"=1'-0