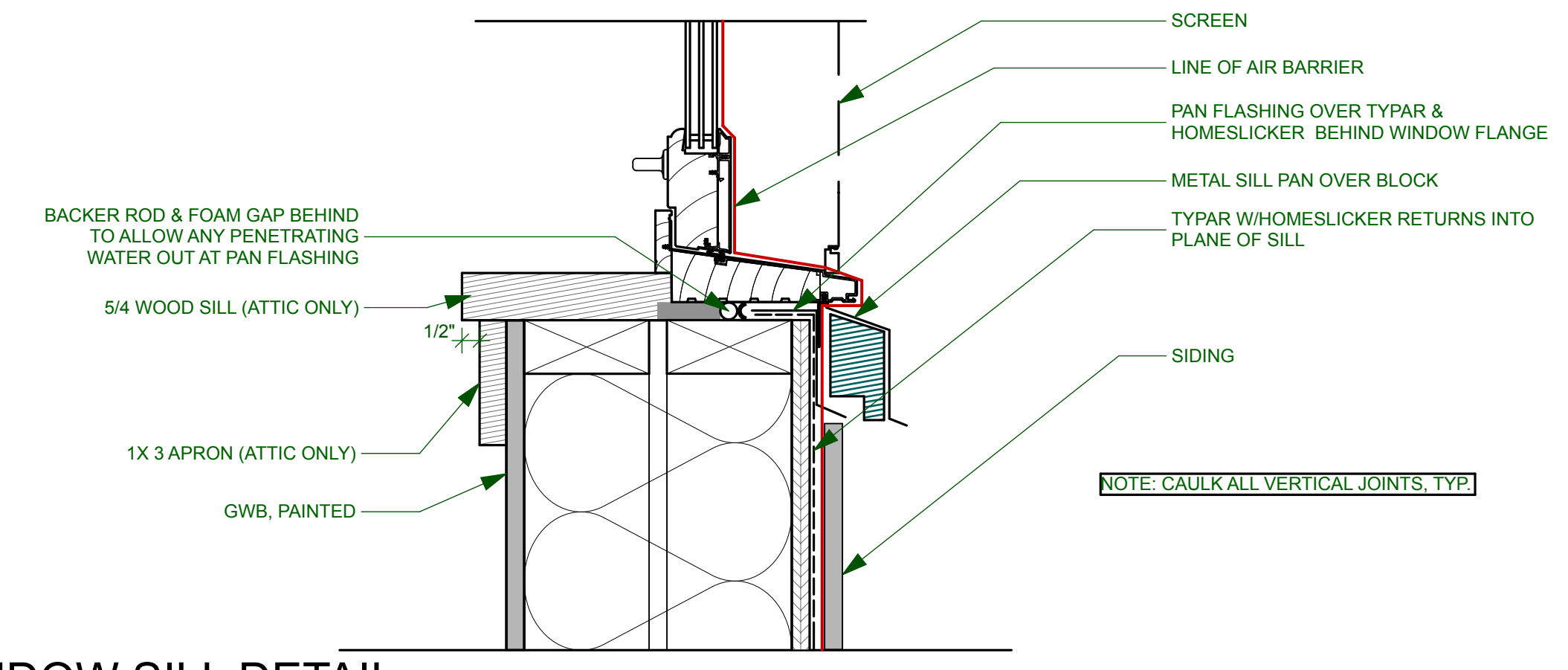
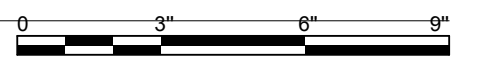
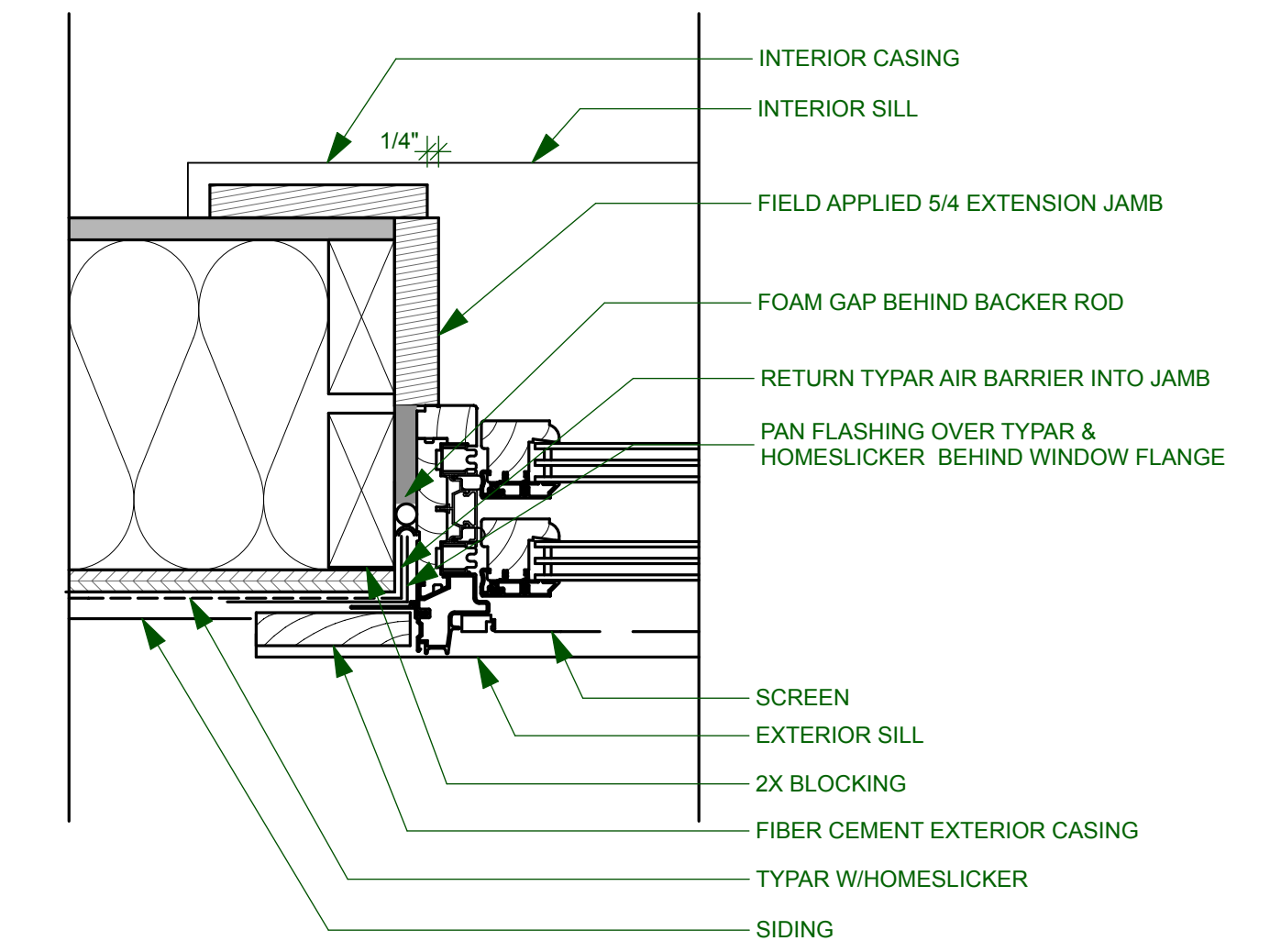
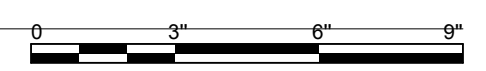


3 WINDOW HEAD DETAIL
SCALE: 3" = 1'-0"



2 WINDOW SILL DETAIL
SCALE: 3" = 1'-0"



1 WINDOW JAMB DETAIL
SCALE: 3" = 1'-0"



FOR PERMIT

PROJECT:
133 SPRING ST
JOHN STADLER
133 SPRING ST
PORTLAND, ME

DRAWING: DETAILS
SCALE: AS INDICATED
DATE: JUNE 6, 2013
DRAWN BY: JJT
REVISED: