

# Page 8 - Hood Detail

**HOOD INFORMATION - Job#2729366**

HOOD NO.	TAG	MODEL	LENGTH	MAX. COOKING TEMP.	TOTAL EXH. CFM	EXHAUST PLENUM RISE(S)				TOTAL SUPPLY CFM	HOOD CONSTRUCTION	HOOD CONFIG.		
						WIDTH	LENG.	HEIGHT	DIA.			CFM	S.P.	END TO END
1		5424 ND-2-PSP-FS	11' 0.00'	600 Deg.	2750		4'	16'	2750	-1.077'	2530	430 SS Where Exposed	ALONE	ALONE

**HOOD INFORMATION**

HOOD NO.	TAG	TYPE	FILTER(S)				LIGHT(S)			UTILITY CABINETS				FIRE SYSTEM PIPING	HOOD HANGING WGT	
			QTY	HEIGHT	LENGTH	EFFICIENCY @ 9 MICRONS	QTY	TYPE	WIRE GUARD	LOCATION	SIZE	FIBR. SYSTEM	ELECTRICAL			SWITCHES
1		Captrate Solo Filter	8	20"	16'	93% See Filter Spec.	4	Screw In Compact	NO	Right	12"x54"x24"		SC-21110FP	1 Light 1 Fan	NO	820 LBS

**HOOD OPTIONS**

HOOD NO.	TAG	OPTION
1		LEFT VERTICAL END PANEL 27" Top Width, 21" Bottom Width, 80" High Insulated 4" Legs 430 SS
		RIGHT VERTICAL END PANEL 27" Top Width, 21" Bottom Width, 80" High Insulated 4" Legs 430 SS

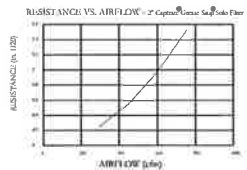
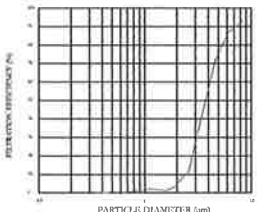
**PERFORATED SUPPLY PLENUM(S)**

HOOD NO.	TAG	POS.	LENGTH	WIDTH	HEIGHT	TYPE	RISE(S)				
							WIDTH	LENG.	DIA.	CFM	S.P.
1		Front	144"	14"	6"	HJA	10"	28"		571	0.152"
							10"	28"		571	0.152"
							12"	28"		810	0.196"

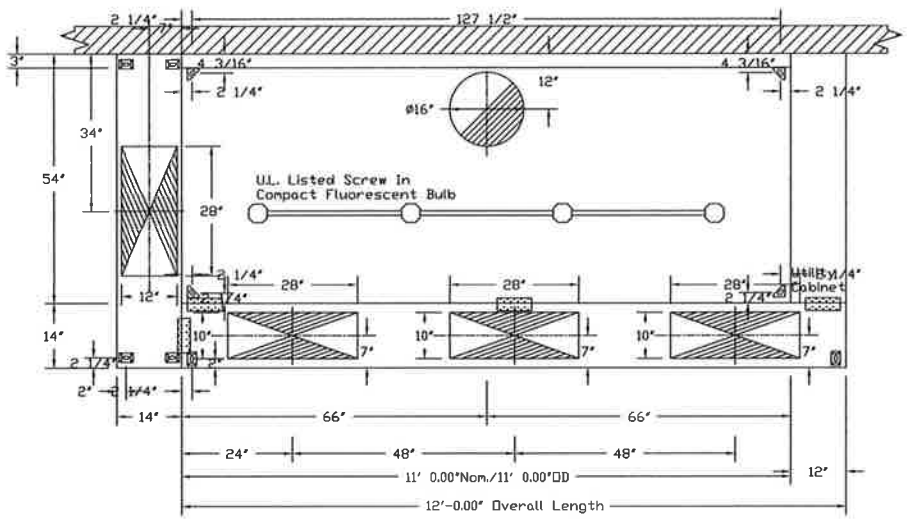
**SPECIFICATION: CAPTRATE® GREASE-STOP® SOLID FILTER**

THE CAPTRATE GREASE-STOP SOLID FILTER IS A SINGLE-STAGE FILTER FEATURING A UNIQUE S-BAFFLE DESIGN IN CONJUNCTION WITH A SLOTTED REAR BAFFLE DESIGN, TO DELIVER EXCEPTIONAL FILTRATION EFFICIENCY. FILTER IS STAINLESS STEEL CONSTRUCTION, AND SIZED TO FIT INTO STANDARD 2-INCH DEEP HOOD CHANNEL(S). UNITS SHALL INCLUDE STAINLESS STEEL HANDLES AND A FASTENING DEVICE TO SECURE THE TWO COMPONENTS WHEN ASSEMBLED. GREASE EXTRACTION EFFICIENCY SHALL REMOVE AT LEAST 75% OF GREASE PARTICLES FIVE MICRONS IN SIZE, AND 90% GREASE PARTICLES SEVEN MICRONS IN SIZE AND LARGER, WITH A CORRESPONDING PRESSURE DROP NOT TO EXCEED 1.0 INCHES OF WATER GAUGE. THE CAPTRATE GREASE-STOP SOLID WAS TESTED TO ASTM STANDARD ASTM F2519-05.

PLEASE COLLECTION EFFICIENCY: Captrate Solo Filter



CAPTRATE FILTERS ARE BUILT IN COMPLIANCE WITH:  
 NFPA #56  
 NSF STANDARD #2  
 UL STANDARD #1046  
 INT. MECH. CODE (IMC)  
 ULC-S649



**PLAN VIEW - Hood #1**  
 11' 0.00" LONG 5424ND-2-PSP-FS

**CUSTOMER APPROVAL TO MANUFACTURE:**

Approved as Noted   
 Approved with NO Exception Taken   
 Revise and Resubmit   
 SIGNATURE \_\_\_\_\_  
 Your Title \_\_\_\_\_ Date \_\_\_\_\_



**CAPTIVEAIR**

JOB Taco Escobarr	
LOCATION Lewiston, ME,	
DATE 7/28/2016	JOB # 2729366
DWG # 1	DRAWN BY BFC-21
REV.	SCALE 3/8" = 1'-0"