

EXHAUST FAN INFORMATION - Job#2729366

FAN UNIT NO.	TAG	FAN UNIT MODEL #	CFM	ESP.	RPM	HP.	B.H.P.	Ø	VOLT	FLA	WEIGHT (LBS.)	SDNES
1		NCA24HPFA	2750	2.250	1067	3.000	1.9790	1	230	17.0	307	21

MUA FAN INFORMATION - Job#2729366

FAN UNIT NO.	TAG	FAN UNIT MODEL #	BLOWER	HOUSING	CFM	ESP.	RPM	HP.	B.H.P.	Ø	VOLT	FLA	WEIGHT (LBS.)	SDNES
2		A1-G10	G10	A1	2530	0.500	899	1.500	0.8840	1	230	6.8	318	19.1

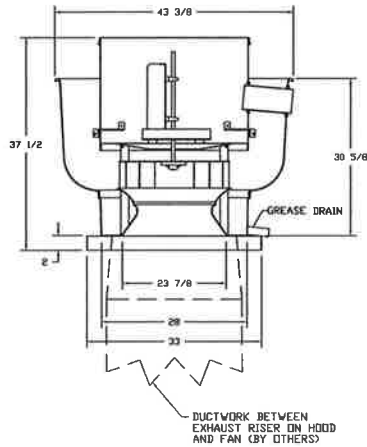
FAN OPTIONS

FAN UNIT NO.	TAG	OPTION (Qty. - Descr.)
1		1 - Grease Box
		1 - 3 Year Extended Motor Warranty
		1 - Hinge Kit (HD)- Ships Loose For Curb Supplied by Others
		1 - Extra Set of Belts
		1 - Fan Base Ceramic Seal - For Grease Ducts
2		1 - Full Crating For Untempered Fans
		1 - 3 Year Extended Motor Warranty
		1 - Extra Set of Belts
		1 - Gravity Backdraft Damper for Size 1 Housing
		1 - Wall Mount Option For Size 1 Untempered Fan

FAN ACCESSORIES

FAN UNIT NO.	TAG	EXHAUST				SUPPLY		
		GREASE CUP	GRAVITY DAMPER	WALL MOUNT	SIDE DISCHARGE	GRAVITY DAMPER	MOTORIZED DAMPER	WALL MOUNT
1		YES						
2					YES	YES		YES

FAN #1 NCA24HPFA - EXHAUST FAN



FEATURES:

- HOOD MOUNTED FANS
- RESTAURANT MODEL
- UL705 AND UL762
- AMCA SOUND AND AIR CERTIFIED
- WIRING FROM MOTOR TO DISCONNECT SWITCH
- WEATHERPROOF DISCONNECT
- HIGH HEAT OPERATION 300°F (149°C)
- GREASE CLASSIFICATION TESTING

NORMAL TEMPERATURE TEST
EXHAUST FAN MUST OPERATE CONTINUOUSLY WHILE EXHAUSTING AIR AT 300°F (149°C) UNTIL ALL FAN PARTS HAVE REACHED THERMAL EQUILIBRIUM, AND WITHOUT ANY DEGRADATING EFFECTS TO THE FAN WHICH WOULD CAUSE UNSAFE OPERATION.

ABNORMAL FLARE-UP TEST
EXHAUST FAN MUST OPERATE CONTINUOUSLY WHILE EXHAUSTING BURNING GREASE VAPORS AT 500°F (260°C) FOR A PERIOD OF 15 MINUTES WITHOUT THE FAN BECOMING DAMAGED TO ANY EXTENT THAT COULD CAUSE AN UNSAFE CONDITION.

OPTIONS

- GREASE BOX
- 3 YEAR EXTENDED MOTOR WARRANTY
- HINGE KIT (HD)- SHIPS LOOSE FOR CURB SUPPLIED BY OTHERS
- EXTRA SET OF BELTS
- FAN BASE CERAMIC SEAL - FOR GREASE DUCTS

CUSTOMER APPROVAL TO MANUFACTURE:

Approved as Noted

Approved with NO Exception Taken

Revise and Resubmit

SIGNATURE _____

Your Title _____ Date _____

		JOB Taco Escobarr	
		LOCATION Lewiston, ME,	
		DATE 7/28/2016	JOB # 2729366
		DWG # 3	DRAWN BY BFC-21
		REV.	SCALE 3/8" = 1'-0"