

Submittal Data: 15RLS3H
Inverter Driven Heat Pump

15,000 BTU Heat Pump System

Job Name: Howard Gray
 Location: 95 Park Street, Unit 951
 Engineer: n/a
 Submitted to: City of Portland
 Submitted by: Gloggin Energy
 Reference: n/a

Date: 11-2-16
 Approval: _____
 Construction: _____
 Unit #: _____
 Drawing #: _____

General Features

- Refrigerant Type R410A.
- Human Sensor
- Wired and wireless remote controllers
- Double swing automatic
- Automatic airflow adjustment
- Low noise mode
- Powerful mode
- 5- Years Parts, 7-Years Compressor Warranty (See Warranty Statement for details)
- Program timer
- Weekly time

Model Information

Outdoor..... AOU15RLS3H
 Indoor..... ASU15RLS3

Electrical..... 208/230V AC 1ph-60Hz
 Available Voltage Range..... 208/230 +/- 10%
 Minimum Circuit Ampacity..... 18.2 A
 Max Fuse Size..... 20A
 Max Starting Current..... 5.2 A

Input Power

Cooling..... 1.04 kW
 Heating..... 1.15 kW

Running Current

Cooling..... 4.8 A
 Heating..... 5.2 A

Capacity

Nominal Cooling..... 15,000 Btu
 Min-Max Cooling..... 3,100-18,400 Btu/h
 Nominal Heating..... 18,000 Btu/h
 Min-Max Heating..... 3,100-23,900 Btu/h

Compressor

..... Rotary (inv x1)
 Motor Output..... 1,000 W
 Refrigerant..... R410a
 Charge..... 3 lbs. 1 oz
 Oil..... FREOL a68SZ

Fan Motor

(Condenser) Type: DC Propeller x 1
 (Condenser) Motor Output..... 49 W
 (Evaporator) Type: DC Cross flow fan x1
 (Evaporator) Motor Output..... 61 W

Heat Exchanger {Condenser (C) Evaporator (E)}

Dimensions (H x W x D)
 Condenser..... 23-1/8 x 34-11/16 x 1-7/16 in. (588x881x36.4 mm)
 Evaporator..... Main 15-1/8 x 28-3/8 x 1-3/16 in. (384x720x30) Sub 3-5/16 x 28-3/8 x 1/2 in. (84x720x13.3 mm) 4-15/16 x 28-3/8 x 1/2 in. (126x720x13.3 mm)
 Fin Pitch..... 20 FPI (C) Main 21 FPI Sub 18 FPI (E)
 Rows x Stages..... 2 x 28 (C) Main 3 x 24 Sub 1 x 10 (E)
 Pipe Type (Material)..... Copper (C) Copper (E)
 Fin Type (Material)..... Aluminum (C) Aluminum (E)

Note: Specifications are based on the following conditions.

Cooling: Indoor temperature of 80°F (26.7°C) DB/67°F (19.44°C) WB, and outdoor temperature of 95°F (35°C) DB/75°F (23.9°C) WB.
 Heating: Indoor temperature of 70°F (21.1°C) DB/59°F (15°C) WB, and outdoor temperature of 47°F (8.33°C) DB/43°F (6.11°C) WB.
 Pipe length: 24ft. 7in. (7.5m), Height difference: 0ft. (0m) (Outdoor unit - indoor unit)



Operation Temperature Range

Cooling..... 14°F (-10°C) to 115°F (46°C)
 Heating..... -15°F (-26°C) to 75°F (24°C)

Efficiency

SEER..... 25.3
 EER (cooling)..... 4.09 kW/kW
 COP (heating)..... 4.59 kW/kW / 15.7 Btu/hW
 HSPF (heating)..... 13.4 Btu/hW

Enclosure (Condenser)

Material..... Painted galvanized steel
 Color..... Beige (10 YR 7.5/1.0 NN)

Sound Pressure Level

Outdoor..... 49 dB(A)
 Indoor..... 45 dB(A)

Dimensions

H x W x D
 Outdoor in. (mm)..... 24-1/2 (620) x 31-1/8 (790) x 11-7/16 (290)
 Indoor in. (mm)..... 11- 5/8 (295) x 37 (940) x 10-5/8 (270)

Connection Pipe

Liquid..... 1/4" / 6.35 mm Flare
 Gas..... 1/2" / 12.7 mm Flare
 Method (Liquid/Gas)..... Brazing
 Max Length (Pre-charge)..... 66 ft.(20 m) / (49 ft. {15 m})
 Max Height Difference..... 49 ft. (15 m)

Weight

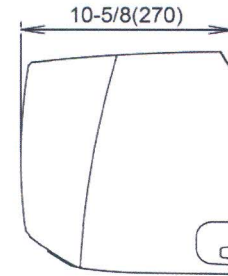
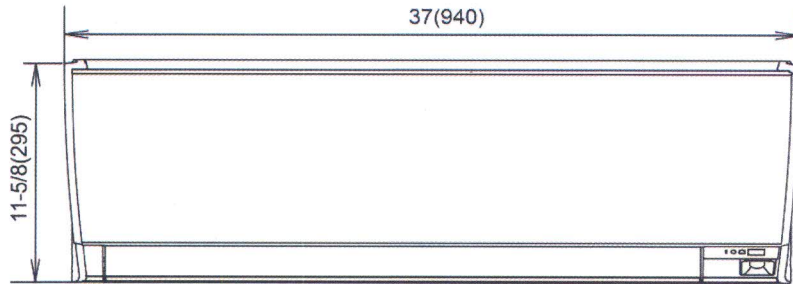
Outdoor..... 88 lbs (40 kg)
 Indoor..... 31 lbs (14 kg)

Accessories

Wired Remote Controller..... UTY-RVNUM
 Wired Remote Controller..... UTY-RNNUM
 Simple Remote Controller..... UTY-RSNUM
 Communication Kit..... UTY-TWBXF1
 External Connection Kit..... UTY-XWZXZ5

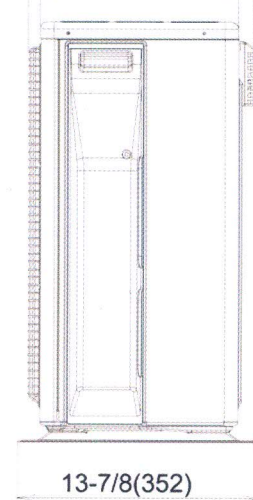
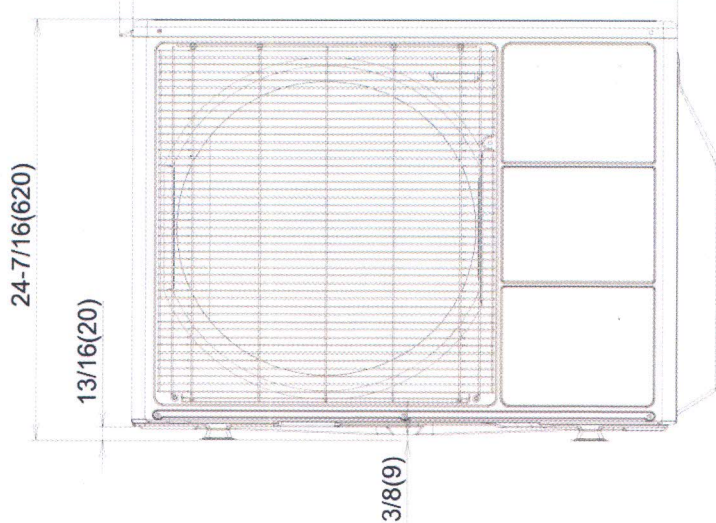
Dimensions: 15RLS3H

[Unit: in. (mm)]



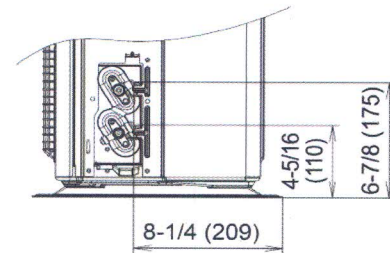
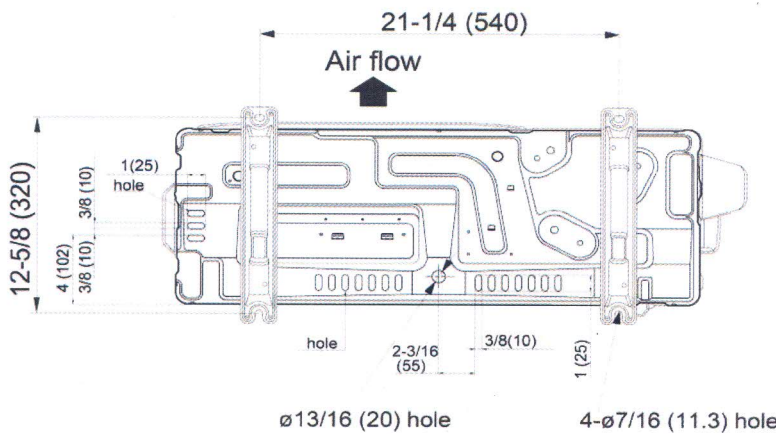
3/4(19) 31-1/8(790) 2-5/8(67)

11/16(18) 11-5/16(288) 7/8(23)



Front view

Side view



ø13/16 (20) hole 4-ø7/16 (11.3) hole

Bottom view

The Fujitsu logo is a registered trademark of Fujitsu Limited.
 The Halcyon logo and name is a trademark of Fujitsu General America, Inc.
 Copyright 2014 Fujitsu General America, Inc.
 Fujitsu's products are subject to continuous improvements. Fujitsu reserves the right to modify product design, specifications and information in this brochure without notice and without incurring any obligations.