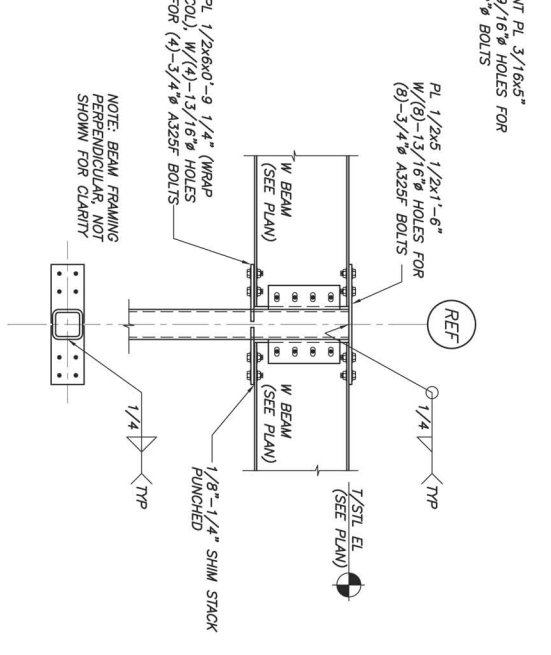
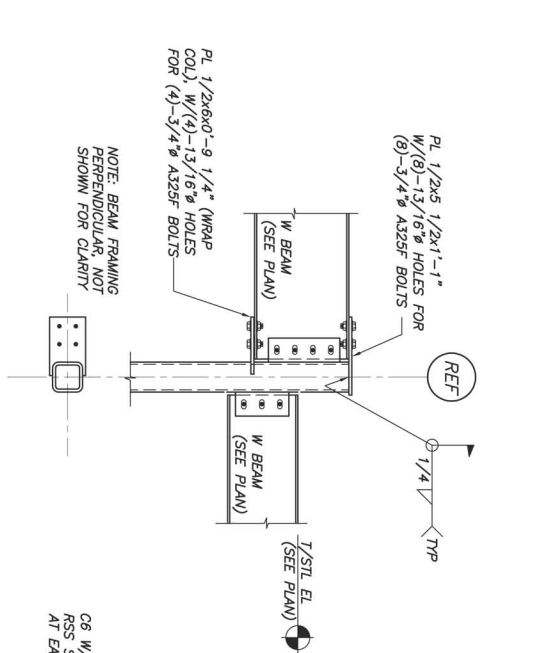


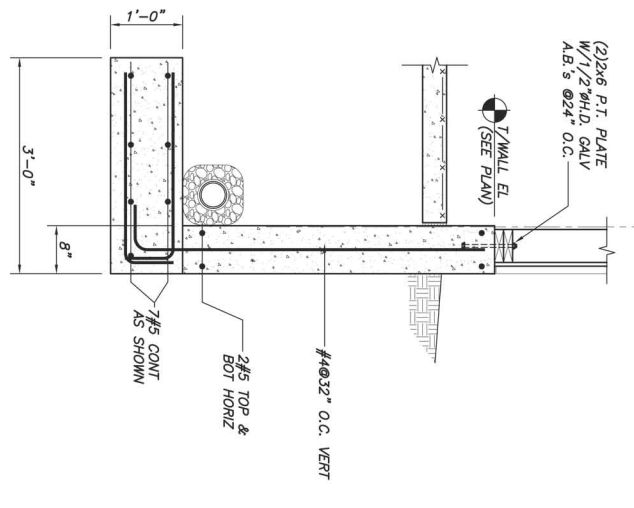
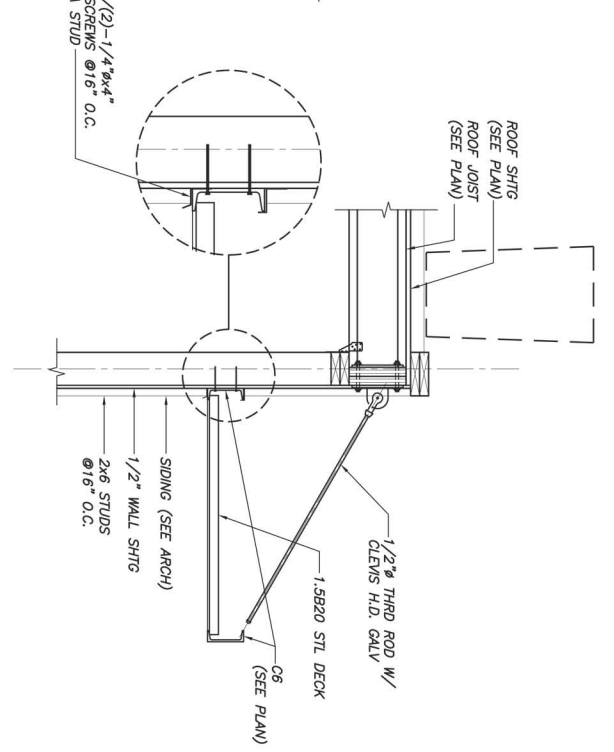
MOMENT CONN MF-1 DETAIL
3/4"=1'-0"



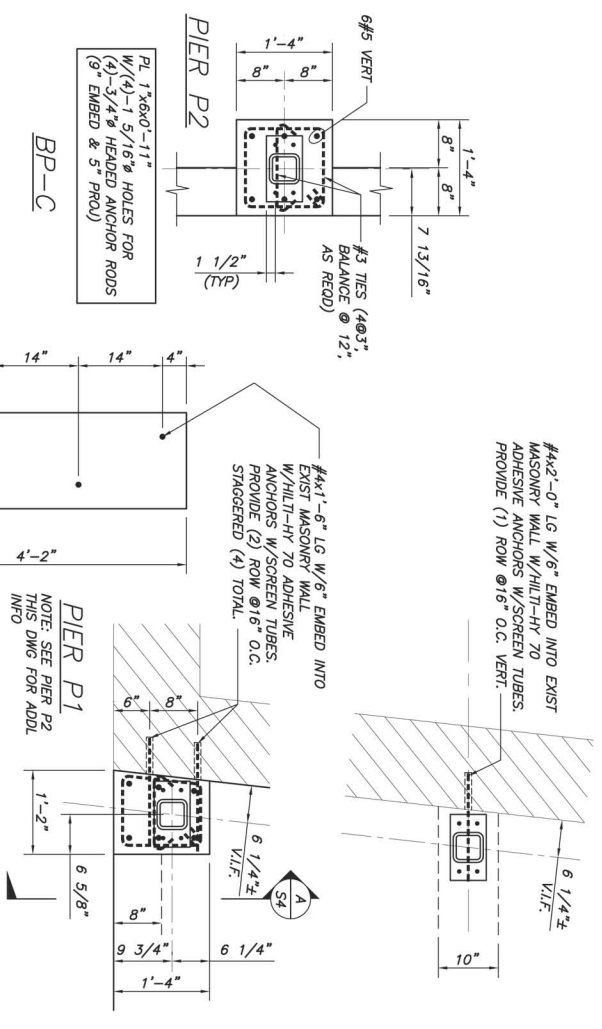
MOMENT CONN MF-1 END DETAIL
3/4"=1'-0"



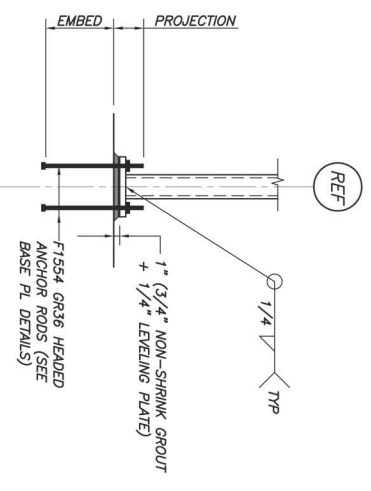
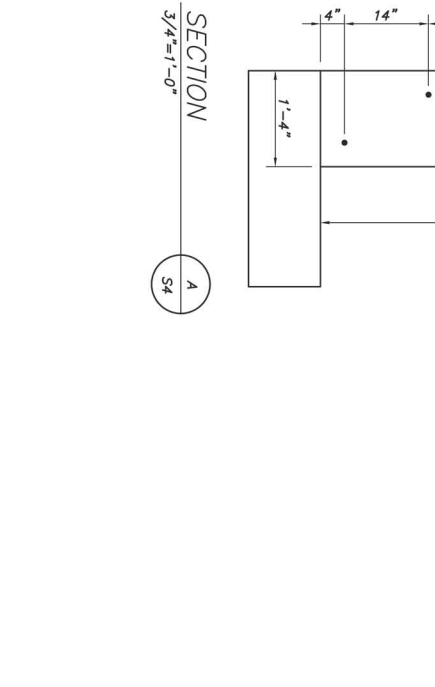
SECTION 10
3/4"=1'-0"



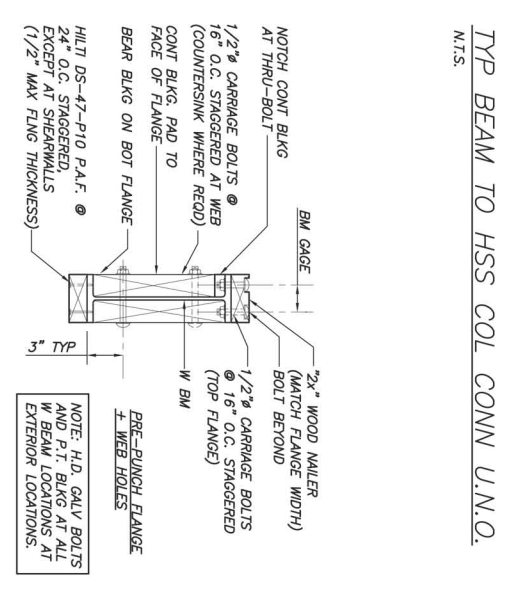
SECTION 1
3/4"=1'-0"



SECTION A
3/4"=1'-0"



TYP COL BASE DETAIL U.N.O.
N.T.S.



TYP BEAM TO HSS COL CONN U.N.O.
N.T.S.



TYP WOOD NAILER/WEB BLKG TO W-BM DETAIL
N.T.S.

THIS DRAWING IS AN INSTRUMENT OF SERVICE AND SHALL REMAIN THE PROPERTY OF BECKER STRUCTURAL ENGINEERS, INC. IT SHALL NOT BE REPRODUCED, COPIED, OR TRANSMITTED IN ANY FORM OR BY ANY MEANS, ELECTRONIC OR MECHANICAL, WITHOUT THE WRITTEN PERMISSION OF BECKER STRUCTURAL ENGINEERS, INC. ON COMPLETION OF WORK, IF REQUESTED.

Rev No	Date	Issued For	Apprd
	08/15/15	ISSUED FOR PERMIT	



35 PLEASANT STREET
RENOVATION & ADDITION

FRAMING SECTIONS & DETAILS

Designed	Scale
DB	NOTED
Drawn	Date
APP	08/15/15
Checked	Becker Job Number
PBB	3620

S4