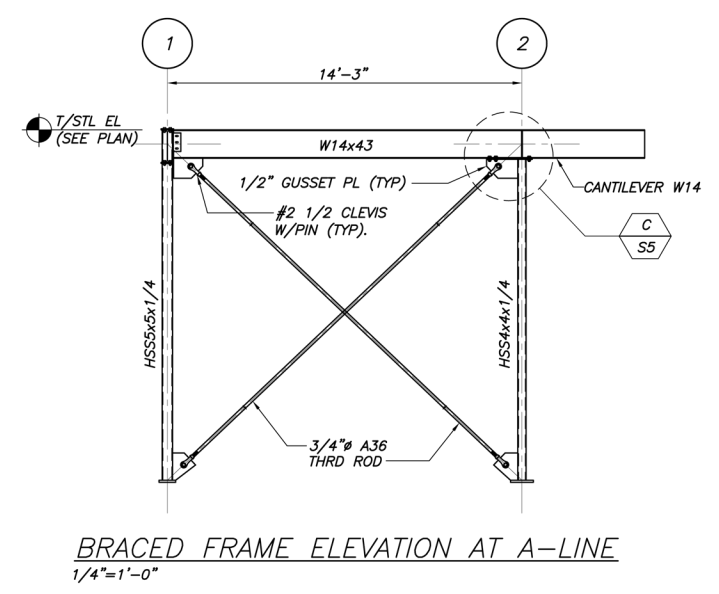
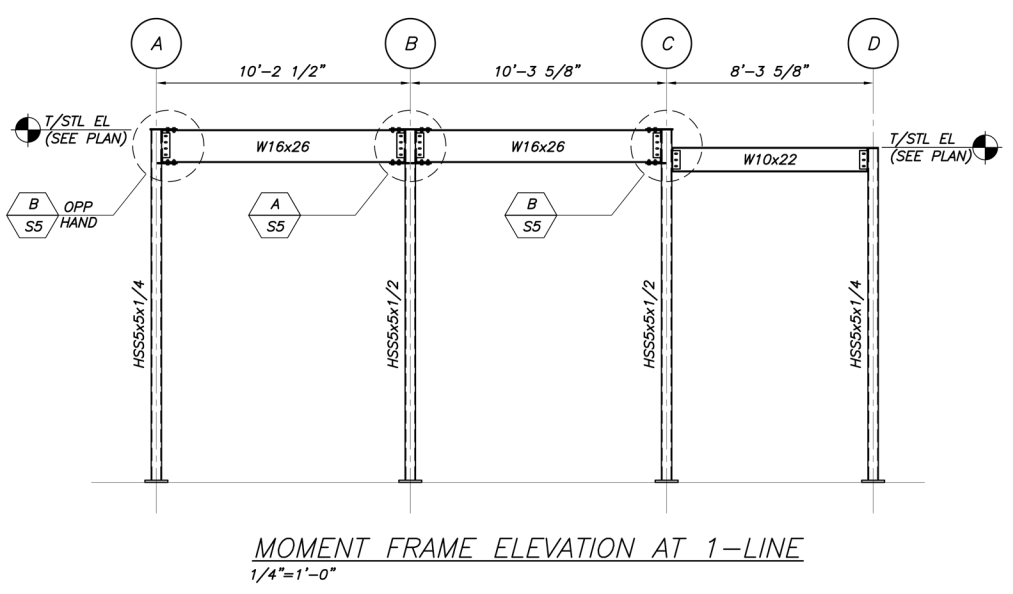
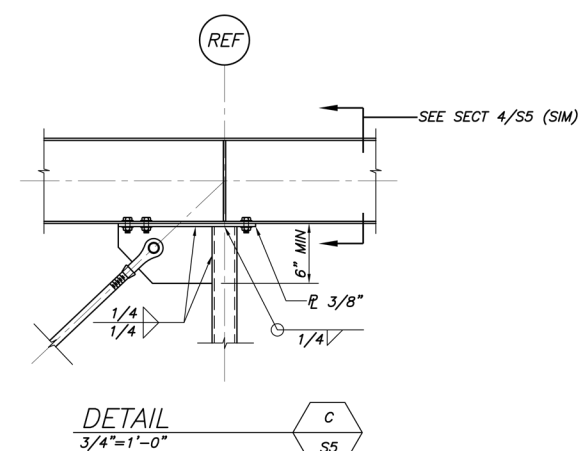
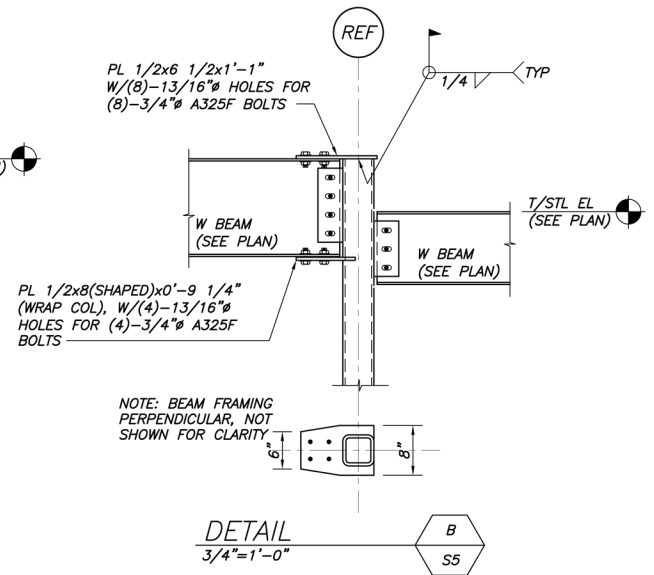
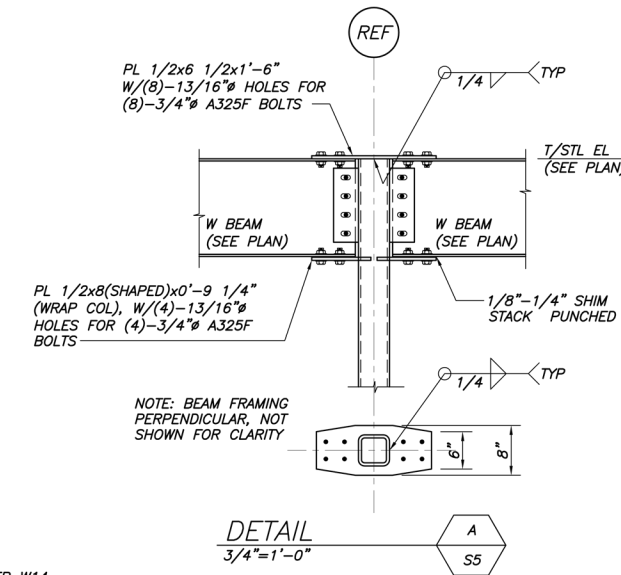
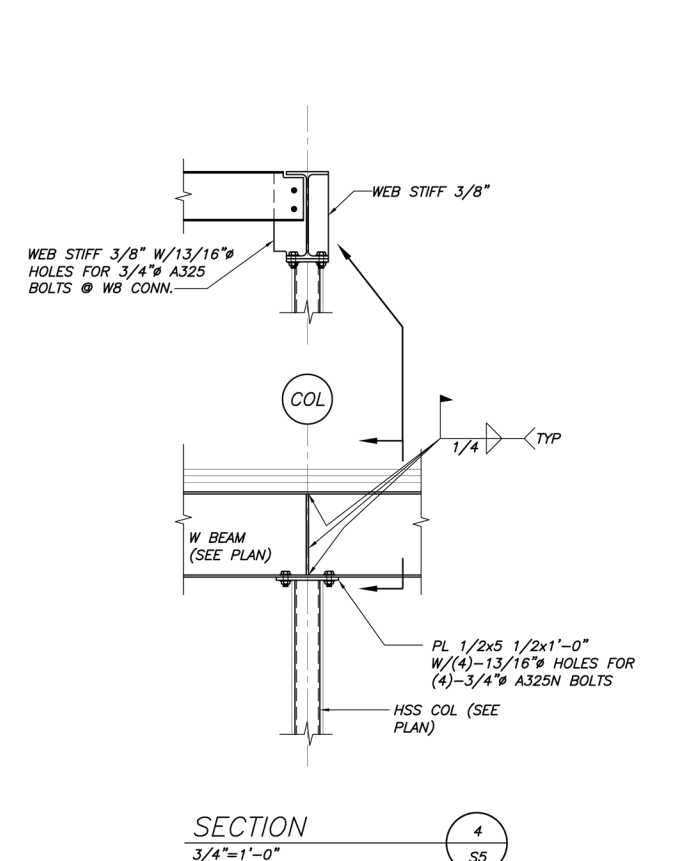
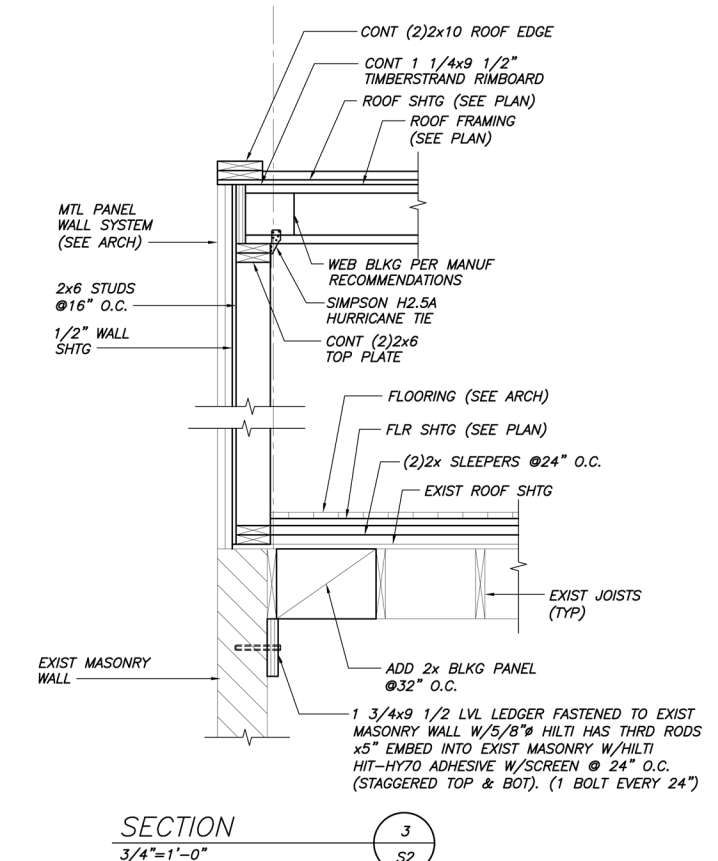
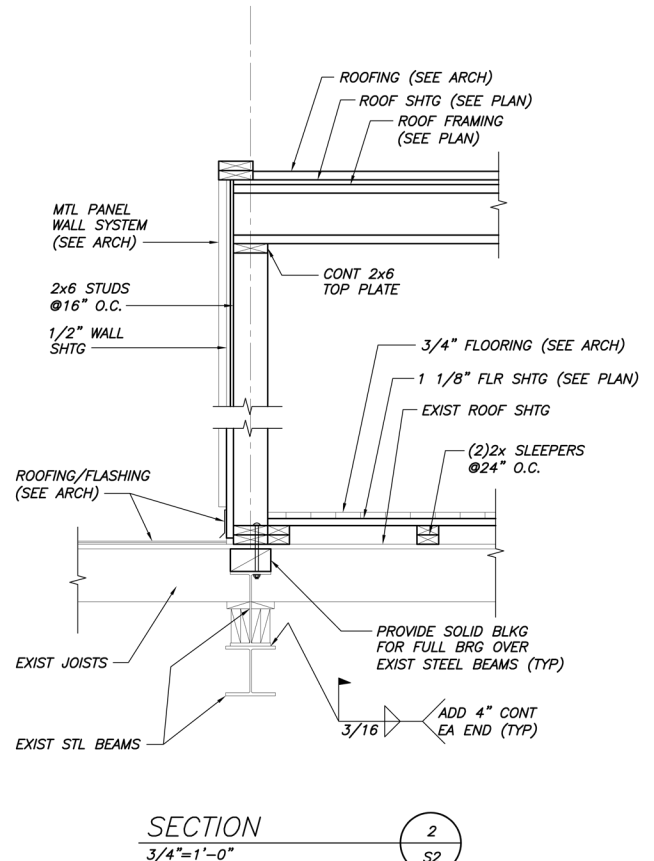
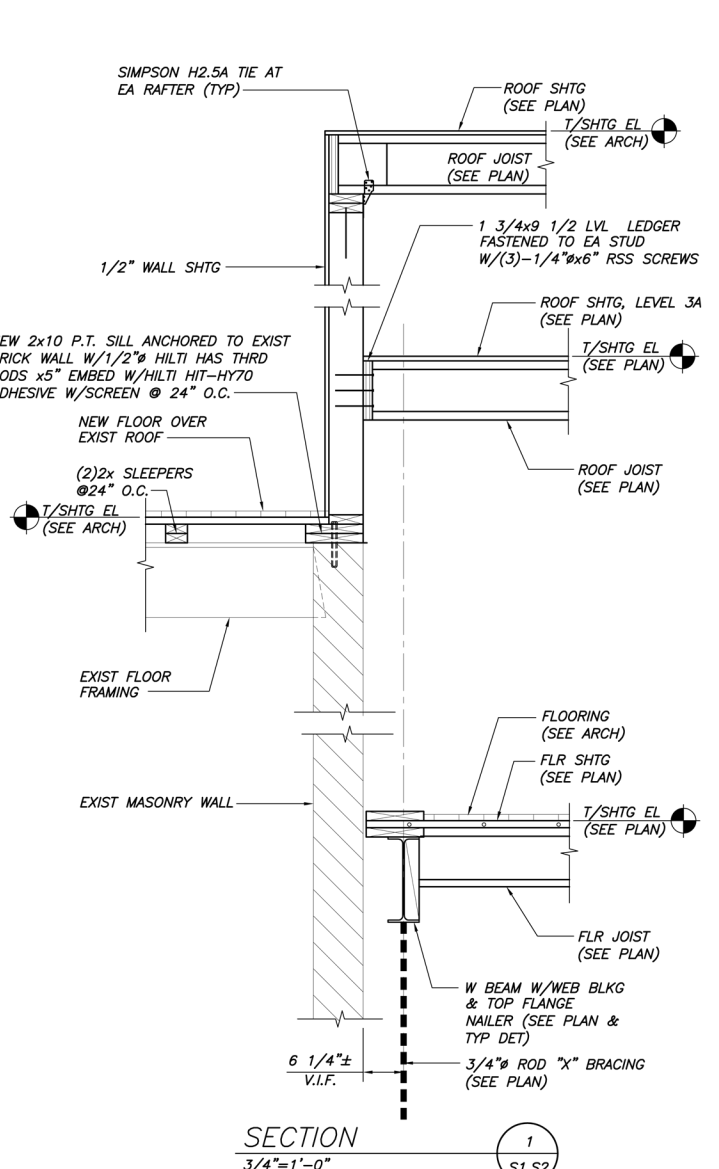


Appr'd	
Issued For	ISSUED FOR PERMIT ONLY
Date	04/28/16
Rev No	

35 PLEASANT STREET
RENOVATION & ADDITION
FRAMING SECTIONS & DETAILS

Designed	DB	Scale	NOTED
Drawn	APP	Date	04/28/16
Checked	PBB	Becker Job Number	3620.01

S5



THIS DRAWING IS AN INSTRUMENT OF SERVICE AND SHALL REMAIN THE PROPERTY OF BECKER STRUCTURAL ENGINEERS INC. IT SHALL NOT BE REPRODUCED, COPIED, LENT OR DISPOSED OF DIRECTLY OR INDIRECTLY NOW USED FOR ANY PURPOSE OTHER THAN FOR WHICH IT IS SPECIFICALLY FURNISHED AND MUST BE RETURNED TO BECKER STRUCTURAL ENGINEERS INC. ON COMPLETION OF WORK, IF REQUESTED.