

GREASE DUCT SPECIFICATIONS:
 PROVIDE GREASE DUCT EQUAL TO CAPTIVEAIRE SYSTEMS MODEL "DW"
 ROUND 20 GAUGE 430 STAINLESS STEEL DUCTWORK. MODEL "DW"
 IS LISTED TO UL-1978 AND IS INSTALLED USING "V" CLAMP LOCKING
 CONNECTIONS SEALED WITH 3M FIRE BARRIER 2000 PLUS. MODEL "DW"
 DOES NOT REQUIRE WELDING PROVIDING IT HAS BEEN INSTALLED PER
 THE MANUFACTURER'S INSTALLATION GUIDE.
 PROVIDE RATED ACCESS DOORS AT EVERY CHANGE IN DIRECTION AND EVERY 12' ON CENTER.
 PER MANUFACTURER'S LISTING MODEL "DW" HORIZONTAL RUNS LESS THAN 75 FT. CAN BE
 SLOPED 1/16" PER 12", HORIZONTAL RUNS MORE THAN 75 FT. CAN BE SLOPED 3/16" PER 12".
 DUCT SHOULD BE SLOPED AS MUCH AS POSSIBLE TO REDUCE THE CHANCE OF GREASE
 ACCUMULATION IN HORIZONTAL RUNS.
 IF THE DUCT IS WITHIN 18 INCHES OF COMBUSTIBLE MATERIAL, PROVIDE UL-2221 LISTED
 DOUBLE WALL GREASE DUCT EQUAL TO CAPTIVEAIRE SYSTEMS MODEL "DW- 2R, 3R, OR 3Z"
 ROUND 20 GAUGE 430 STAINLESS INNER DUCT INSULATED WITH A 24 GAUGE 430 STAINLESS
 OUTER SHELL.

CUSTOMER APPROVAL TO MANUFACTURE:

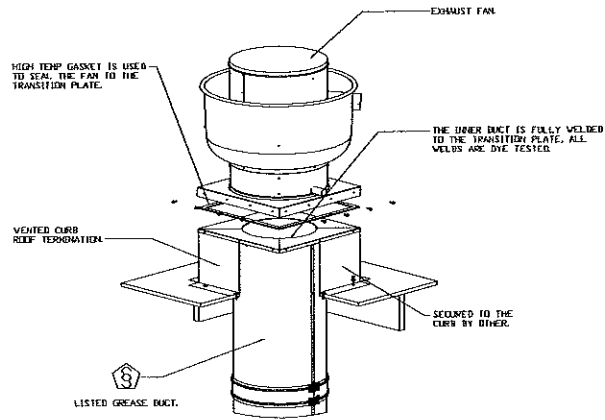
Approved as Noted

Approved with NO Exception Taken

Revise and Resubmit

SIGNATURE _____

Your Title _____ Date _____



CUSTOMER APPROVAL TO MANUFACTURE:

Approved as Noted

Approved with NO Exception Taken

Revise and Resubmit

SIGNATURE _____

Your Title _____ Date _____

  	CAPTIVEAIRE		JOB: <i>Artemisia r.1</i>		
			LOCATION: <i>Shapleigh, ME,</i>		
			DATE: <i>12/5/2016</i>	JOB #: <i>2850684</i>	
			DWG #: <i>6</i>	DRAWN BY: <i>KCD-21</i>	
			REV.	SCALE: <i>3/8" = 1'-0"</i>	