

Notification Appliances

SEFH – High-Fidelity Speakers and Speaker Strobes **Application: Indoor**



SEFH-HMC-CW
Speaker Strobe



SEFH-CW
Speaker



SEFH-HMC-W
Speaker Strobe



SEFH-R
Speaker

Product Overview

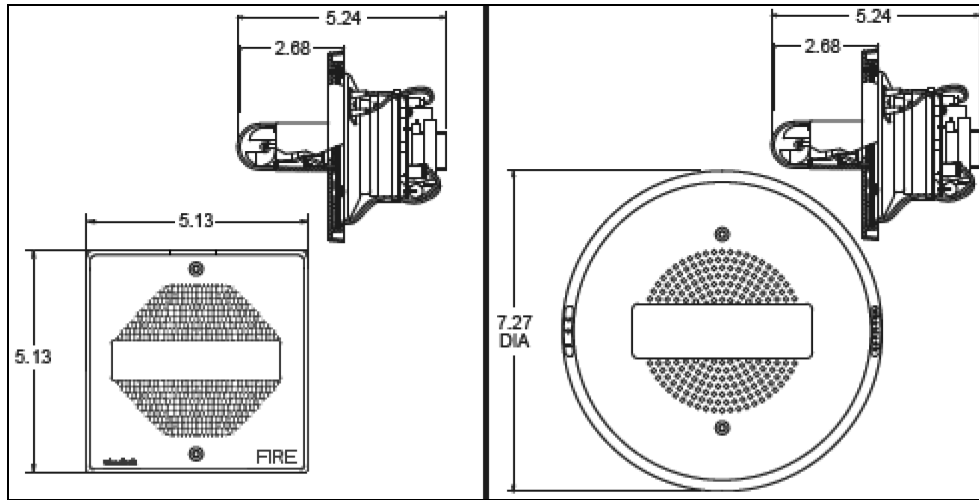
- Siemens Series 'SEFH' of High-Fidelity (HiFi) speakers / speaker-strobes are comprised of high-efficient design for maximum output (at minimum wattage) across an extensive frequency range, 300 to 8000 Hz
- Current Siemens Series 'SEF' of speakers / speaker-strobes can easily be upgraded into the 'SEFH' HiFi series appliance of the existing back box in which it resides
- Siemens Series 'SEFH' of High-Fidelity (HiFi) speakers / speaker-strobes provides a polished look with a regular flush-mount appearance using a durable metal cover
- The strobes portion of Siemens Series 'SEFH' appliances can be synchronized using the following:
 - Siemens Dual-Sync Control Modules (Model DSC-series with built-in sync protocol)
 - Siemens 252 / 504-point addressable fire-safety systems
 - FireFinder® XLS control panels
 - The Siemens PAD-series of NAC Extenders
- Siemens Series 'SEFH' meets the requirement for low-frequency signal tone [as described in the section for **Determination of Low Frequency Signal Format** in the **Standard for Audible Signal Appliances**, per @UL464] when used with:
 - One (1) Amplifier Card {Model VCI2001-U1} with Siemens 252-point / 504-point addressable FACPs
 - One (1) Booster Amplifier {Model EBA200x Series} with Siemens 252-point / 504-point addressable FACPs
 - One (1) 40W Zone Amplifier Card {Model ZAC-40} with FireFinder XLSV
- Fast installation with In / Out screw terminals using #12 to #18 AWG wires
- Field-selectable taps for 25 or 70 VRMS operation from 1/8 Watt to 2 Watts
- Siemens Series 'SEFH' HiFi speaker-strobes produce one (1) flash per second
- HiFi ceiling-mount models are available with six (6) field-selectable Candela settings of:
 - 15/30/75/95cd for single-Candela strobes
 - 15/30/75/95cd or 115/177cd multi-Candela strobes
- HiFi wall-mount models are available with six (6) field-selectable Candela Settings of:
 - 15/30/75/110cd or 135/185cd for multi-Candela strobes
- @UL 1480 and 1971 Listed, @ULC-S526, -S541 Listed;
CSFM (#7125-0067:0272 for Strobes; #7125-0067:0273 for Speakers) Approved
- ADA, NFPA and ANSI Compliant
Complies with OSHA 29 Part 1910.165

'SEFH' Series Notification Appliances 2590

Specifications

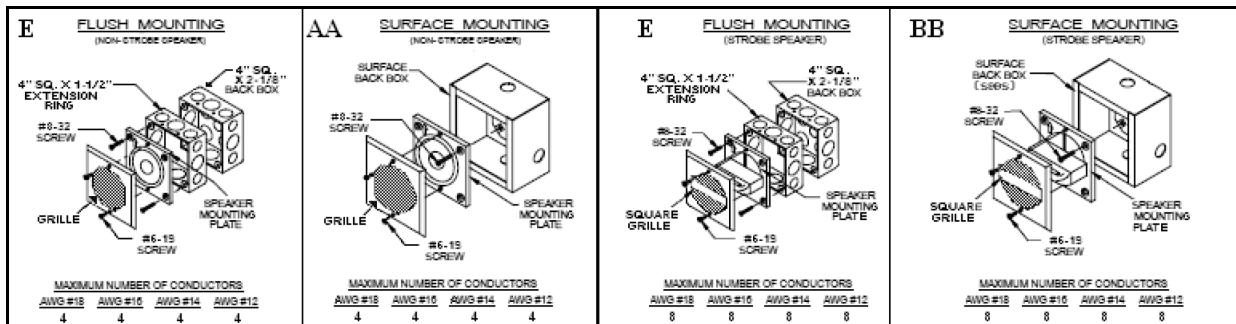
- Siemens Series 'SEFH' High-Fidelity speaker appliances are Siemens Series 'SEFH' HiFi Speakers, and the HiFi speaker-strobe appliances are Siemens Series 'SEFH' HiFi Speaker Strobes or approved equals
- HiFi speakers are @UL Listed under Standard 1480 for Fire Protective Service, and speakers equipped with strobes are listed under @UL Standard 1971 for Emergency Devices for the Hearing-Impaired
- Siemens Series 'SEFH' HiFi speakers are designed for a field-selectable input of either 25 or 70 VRMS, and with field-selectable power taps from 1/8 Watt to 2 Watts
- Selector switch, which is used to manually selecting the candela setting, is tamper-resistant by design
- Siemens Series 'SEFH' HiFi models have listed sound outputs of up to 87dBA at 10 feet, and a listed frequency response of 300 to 8000 Hz
- Speaker appliances feature sealed-back construction for optimum audibility
- All inputs employ terminals that accept #12 to #18 AWG wire sizes
- Strobe intensity, where HiFi Candela appliances are specified, have field-selectable settings, and are rated, per @UL Standard 1971 for Emergency Devices and for the Hearing-Impaired, for the following:
 - 15/30/75/110cd (wall mount, single-Candela strobes) -or-
 - 135/185cd (wall mount, multi-Candela strobes)
 - 15/30/75/95cd (ceiling mount, single-Candela strobes) -or-
 - 115/177cd (ceiling mount, multi-Candela strobes)
- Strobe portion of each HiFi appliance produces a flash rate of one (1) flash per second, and incorporates a Xenon flashtube enclosed in a rugged Lexan® lens
- Strobes are of low-current design
- When synchronization is required, the strobes portion of Siemens Series 'SEFH' appliances is synchronized using the following:
 - Siemens Dual-Sync Control Modules -> Model DSC-series with built-in sync protocol
 - Siemens 252 / 504-point addressable fire-safety systems
 - FireFinder® XLS control panels
 - The Siemens PAD-series of NAC Extenders
- Siemens Series 'SEFH' meets the requirement for low-frequency signal tone [as described in the section for **Determination of Low Frequency Signal Format** in the **Standard for Audible Signal Appliances**, per @UL464] when used with:
 - One (1) Amplifier Card {Model VCI2001-U1} with Siemens 252-point / 504-point addressable FACPs
 - One (1) Booster Amplifier {Model EBA200x Series} with Siemens 252-point / 504-point addressable FACPs
 - One (1) 40W Zone Amplifier Card {Model ZAC-40} with FireFinder XLSV
- The strobes will not drift out of synchronization at any time during operation
- Siemens 'SEFH' Series strobes revert to a non-synchronized flash-rate, if the dual-sync module or the Siemens PAD-series NAC Extenders should fail to operate (i.e. – contacts remain closed)
- HiFi ceiling speakers and speaker-strobe appliances are designed for indoor-surface or flush mounting
- HiFi speakers and speaker-strobes incorporate a speaker-mounting plate with a grille cover, which is secured with two (2) screws for a level finish
 - Grille cover mounts to standard electrical hardware requiring no additional trim plate or adapter
- Series 'SEFH' HiFi speakers and speakers strobes are available for ordering in either white or red
- All speaker and speaker-strobe appliances are listed for Special Applications:
 - Strobes are designed to flash at 1-flash-per-second minimum over their "Regulated Input Voltage Range"
- **Note:** NFPA-72 specifies a flash rate of 1-to-2 flashes per second, and ADA Guidelines specify a flash rate of 1-to-3 flashes per second
 - All candela ratings represent minimum-effective Strobe intensity, based on @UL Standard 1971

Mounting Diagram



(Shown In Inches)

Mounting Options



Note: Backbox is compatible with wire mold and conduit mountings.

Holes are for single-gang, double-gang, 4" sq., 3-1/2" and 4" octagon or round backboxes.

Technical Data

SEFH Series: Speakers Only

UL and ULC Listed Models and Ratings											
Model*	Operating Voltage (VRMS)	dBA at 10 Feet (Rated Watts)					Anechoic dBA (Per CAN / ULC-S541-07)				
		1/8	1/4	1/2	1	2	1/8	1/4	1/2	1	2
SEFH	25/70	72	75	78	81	83	74	77	80	83	85
SEFH-C	25/70	72	75	78	81	82	73	76	79	82	85

* All models available in red or white.

ULC Directional Characteristics		
25V / 70V	-3dBA	+/- 19 degrees horizontal; +/- 35 degrees vertical
	-6dBA	+/- 40 degrees horizontal; +/- 45 degrees vertical

SEFH-MC Series: Speaker-Strobes

UL and ULC Listed Models and Ratings											
Model*	Operating Voltage (VRMS)	dBA at 10 Feet (Rated Watts)					Anechoic dBA (Per CAN / ULC-S541-07)				
		1/8	1/4	1/2	1	2	1/8	1/4	1/2	1	2
SEFH-MC	25/70	71	75	78	81	83	73	76	79	82	85
SEFH-HMC	25/70	71	75	78	81	83	73	76	79	82	85
SEFH-MC-CW	25/70	74	77	80	82	85	74	77	80	82	85
SEH-HMC-CW	25/70	74	77	80	82	85	74	77	80	82	85

* All models available in red or white.

ULC Directional Characteristics		
25V / 70V	-3dBA	+/- 33 degrees horizontal; +/- 18 degrees vertical
	-6dBA	+/- 41 degrees horizontal; +/- 31 degrees vertical

SEFH-MC Series: Ceiling-Mount Strobes Only

Current Ratings (AMPs)						
MAXIMUM RMS Current - Per UL and ULC						
Input Voltage Range:		Operating Voltage (Special Application)	15cd	30cd	75cd	95cd
DC	16.0 - 33.0VRMS	@ 24 VDC	0.069	0.111	0.200	0.264
FWR	16.0 - 33.0VRMS	@ 24 VDC	0.117	0.180	0.297	0.398

SEFH-HMC Series: Ceiling-Mount Strobes Only

Current Ratings (AMPs)				
MAXIMUM RMS Current - Per UL and ULC				
Input Voltage Range:		Operating Voltage (Special Application)	115cd	177cd
DC	16.0 - 33.0VRMS	@ 24 VDC	0.318	0.445
FWR	16.0 - 33.0VRMS	@ 24 VDC	0.482	0.683

Technical Data – (continued)

Position	25V	70V
A	2	---
B	1	---
C	1/2	---
D	1/4	2
E	1/8	1
F	-----	1/2
G	-----	1/4
H	-----	1/8

- Notes:**
1. Strobe will produce 1 flash per second over the Input Voltage range
 2. Strobes meet the required light distribution patterns defined in @UL 1971
 3. Models are @UL Listed for indoor use with a temperature range of +32°F to +120°F (0°C to +49°C) and maximum humidity of 95% RH. The effect of shipping and storage temperatures will not adversely affect the performance of the appliance when it is stored in the original cartons and is not subjected to misuse or abuse
 4. Frequency range of speakers is 300 – 8000Hz

Details for Ordering – (Including Mounting Options & Agency Approvals)

Agency Approvals

Model	Part Number	Description	Wall Mount	Ceiling Mount	Mounting Options*	UL	ULC	CSFM
SEFH-CR	S54360-F2-A1	SEFH HiFi Series: Speaker, Red	—	YES	Q,U	✓	✓	✓
SEFH-CW	S54360-F2-A2	SEFH HiFi Series: Speaker, White	—	YES	Q,U	✓	✓	✓
SEFH-HMC-CW	S54360-F3-A1	SEFH HiFi Series: Hi Multi-Candela, White	—	YES	Q,U	✓	✓	✓
SEFH-HMC-R	S54360-F3-A2	SEFH HiFi Series: Hi Multi-Candela, Red	YES	—	P,Q,R,U,Y	✓	✓	✓
SEFH-HMC-W	S54360-F4-A1	SEFH HiFi Series: Hi Multi-Candela, White	YES	—	P,Q,R,U,Y	✓	✓	✓
SEFH-MC-CW	S54360-F4-A2	SEFH HiFi Series: Multi-Candela, White	—	YES	Q,U	✓	✓	✓
SEFH-MC-R	S54360-F5-A1	SEFH HiFi Series: Multi-Candela, Red	YES	—	P,Q,R,U,Y	✓	✓	✓
SEFH-MC-W	S54360-F5-A2	SEFH HiFi Series: Multi-Candela, White	YES	—	P,Q,R,U,Y	✓	✓	✓
SEFH-R	S54360-F6-A1	SEFH HiFi Series: Speaker, Red	YES	—	Q,U	✓	✓	✓
SEFH-W	S54360-F6-A2	SEFH HiFi Series: Speaker, White	YES	—	Q,U	✓	✓	✓

✓: Agency Listed / Approved

*= Refer to data sheet #: 2585 for detailed mounting options

Notice: This marketing data sheet is not intended to be used for system design or installation purposes. For the most up-to-date information, refer to each product's installation instructions.