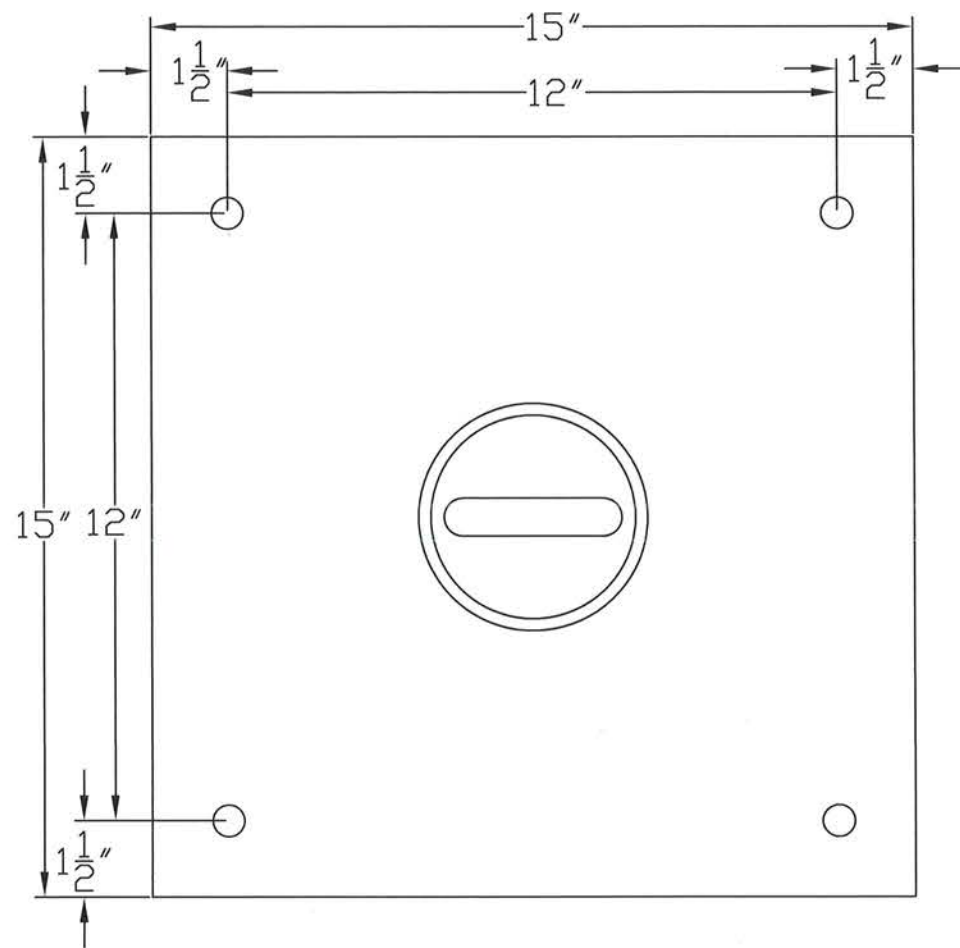


1 ROOF PLAN
 FP1 SCALE: 1/16" = 1'-0"

	206 Mechanic Falls Rd. Poland, ME 04274 (207) 345-9900	
	DWN.BY: Dave K	DATE: 8/22/18
PROJECT: HOLIDAY INN BY THE BAY FALL PROTECTION		
FOR: WRIGHT-RYAN CONSTRUCTION		
DRAWING NAME:	DRAWING NBR: FP1	SCALE AS NOTED
REV. 1	SHEET 1	OF 3



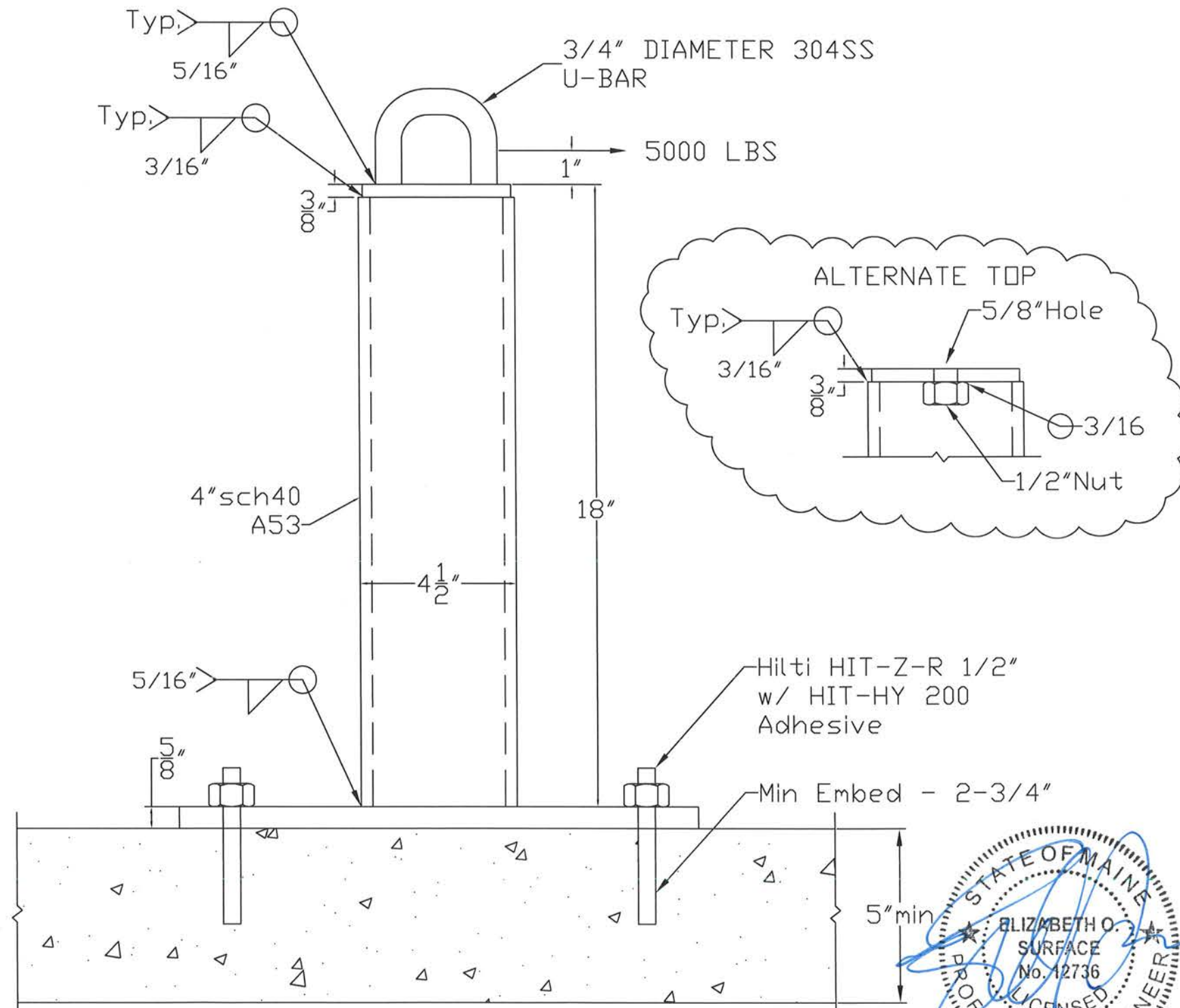
Note:
Steel shall be hot dip galvanized.

Note:
EDR to verify existing structure is capable of supporting loads imposed by connecting hardware.

A

P-031815 GALV ROOF ANCHOR
SHOP DRAWING

Do Not Scale



RBA Structural Engineering, LLC
Engineers
227 French Landing Drive Nashville, TN 37228

"SEALED FOR STRUCTURAL COMPONENTS ONLY"
It is unlawful to alter this document as sealed by a professional engineer.

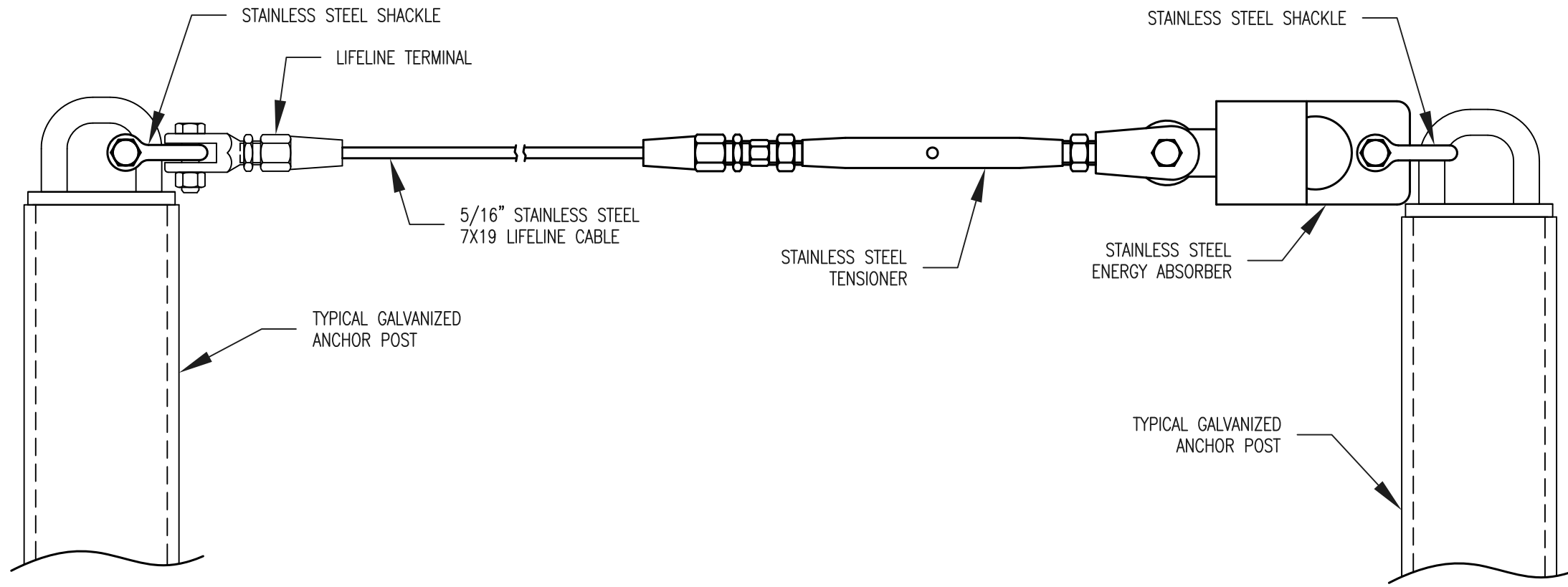
DRAWING NAME:	
DRAWING NBR:	
SCALE AS NOTED	
REV. 0	SHEET 1 OF 1

PART: P-031815
DESCRIPTION: 18" Post Style Anchor
15" Base

DWN.BY:	Dave K
CHECK:	
ENG:	
DATE:	8/15/18

2011 Mechanical Falls Rd.
Portland, ME 04274
(207) 345-0981



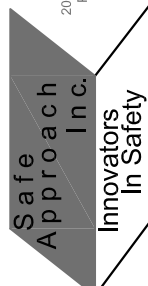


1 TYPICAL CABLE ASSEMBLY
 FP3 SCALE: 3" = 1'-0"

DRAWING NAME:	
DRAWING NBR: FP3	
SCALE AS NOTED	
REV. 1	SHEET 3 OF 3

PROJECT: HOLIDAY INN BY THE BAY
 FALL PROTECTION
 FOR: WRIGHT-RYAN CONSTRUCTION

DWN.BY:	Dave K
CHECK:	
ENG:	
DATE:	8/22/18


Safe Approach Inc.
 Innovators In Safety
206 Mechanic Falls Rd.
 Poland, ME 04274
 (207) 345-9900