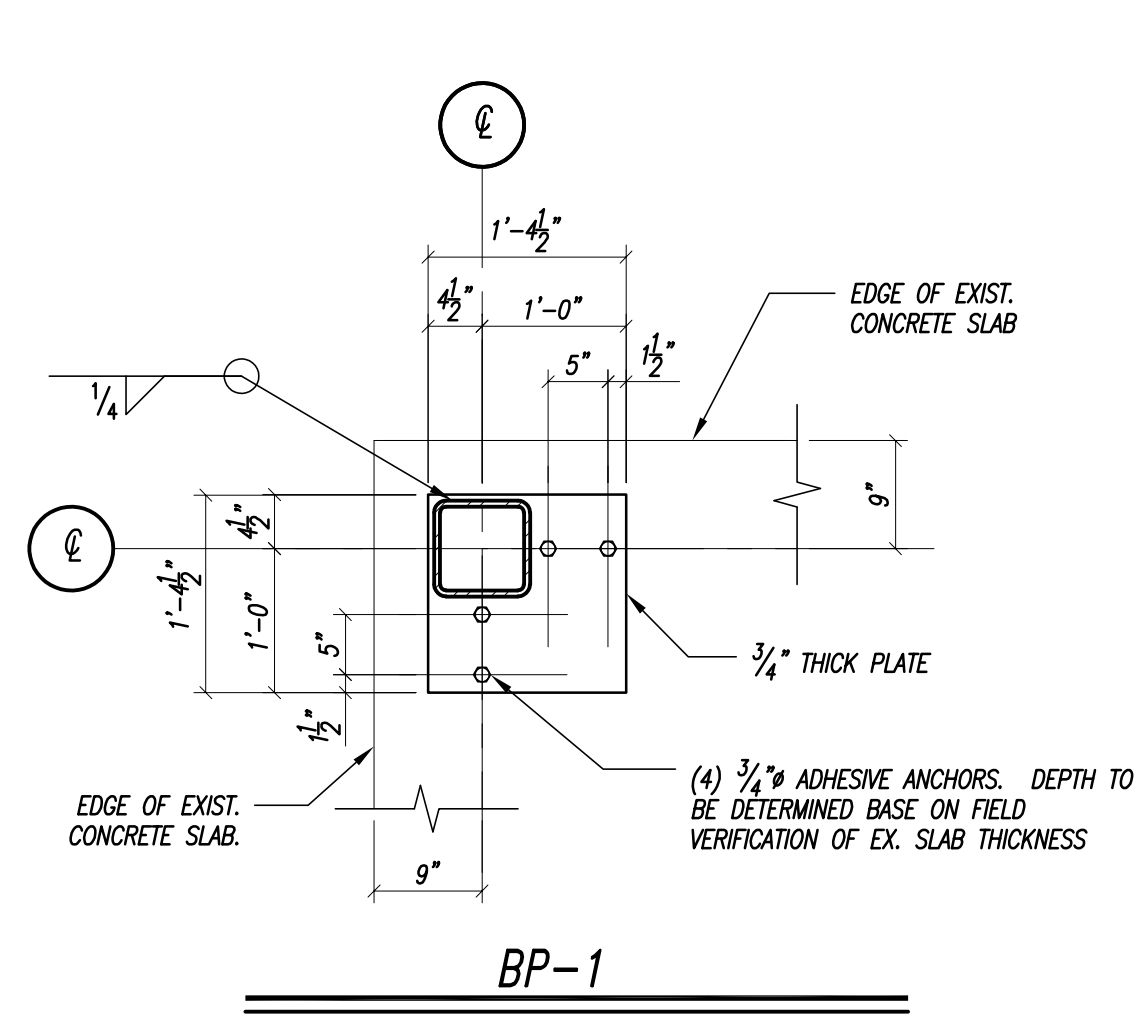
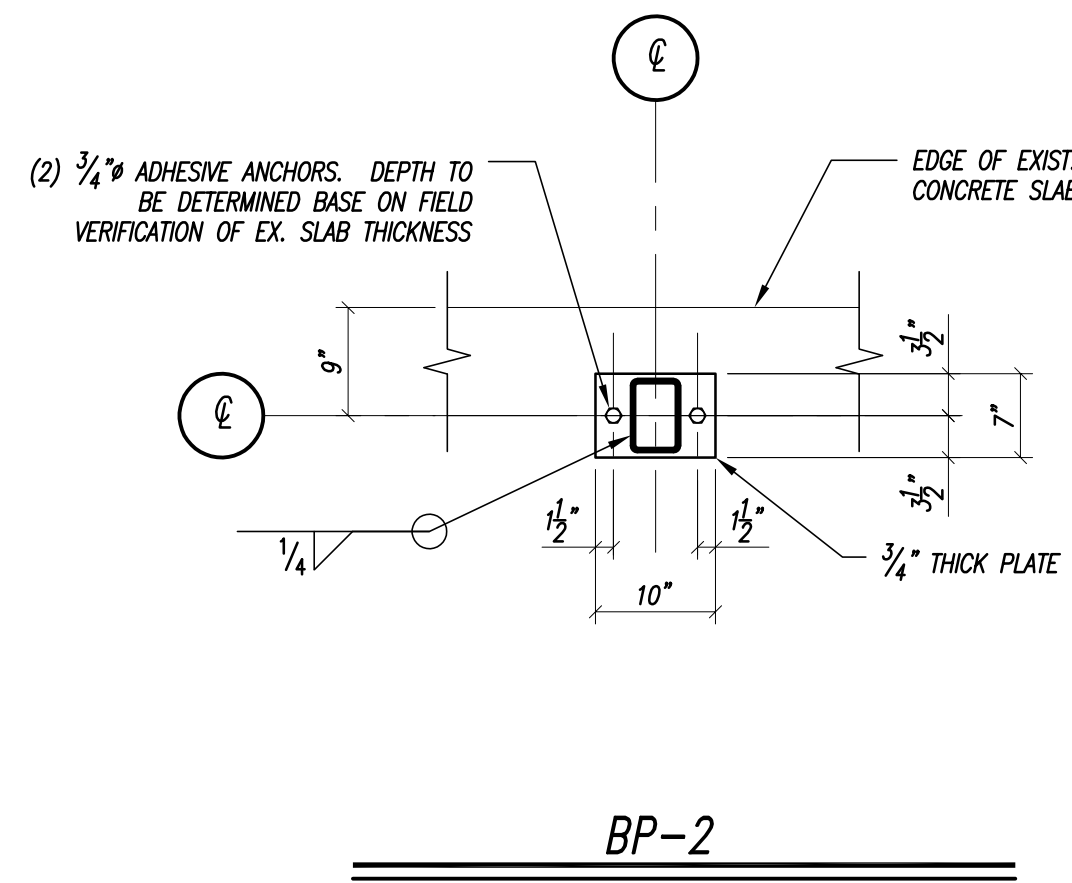


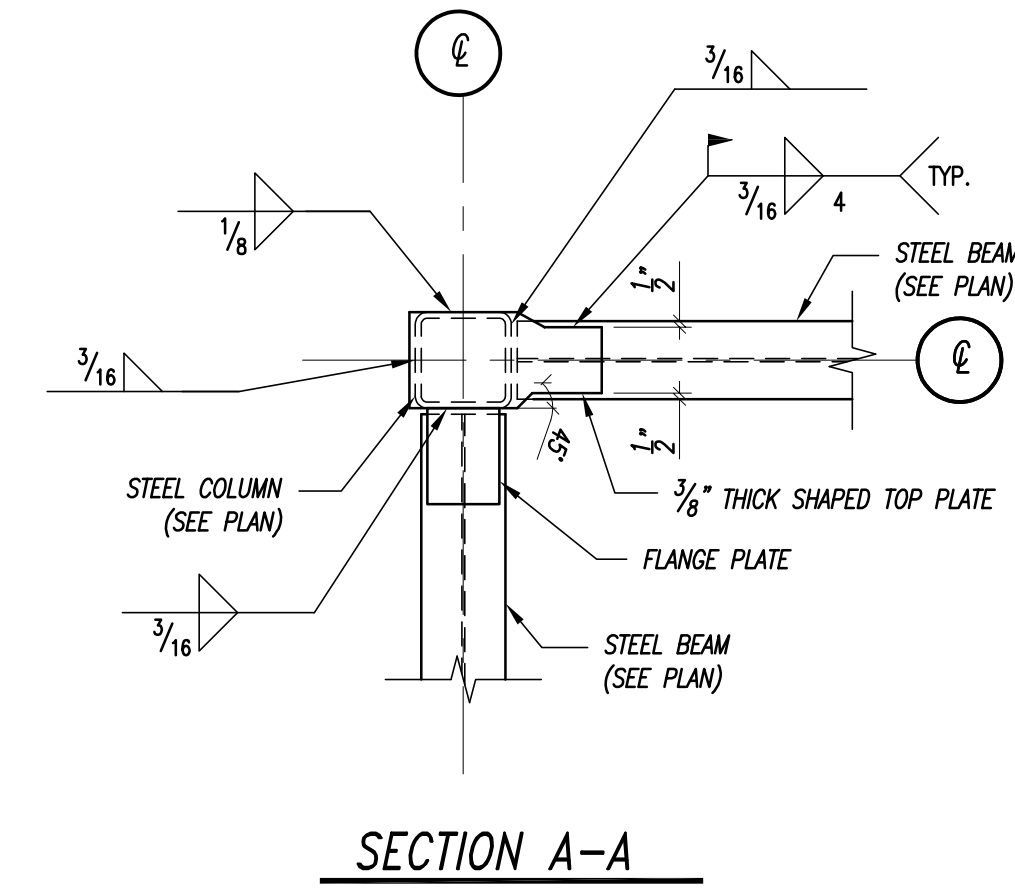
1 SECTION  
3/4" = 1'-0"



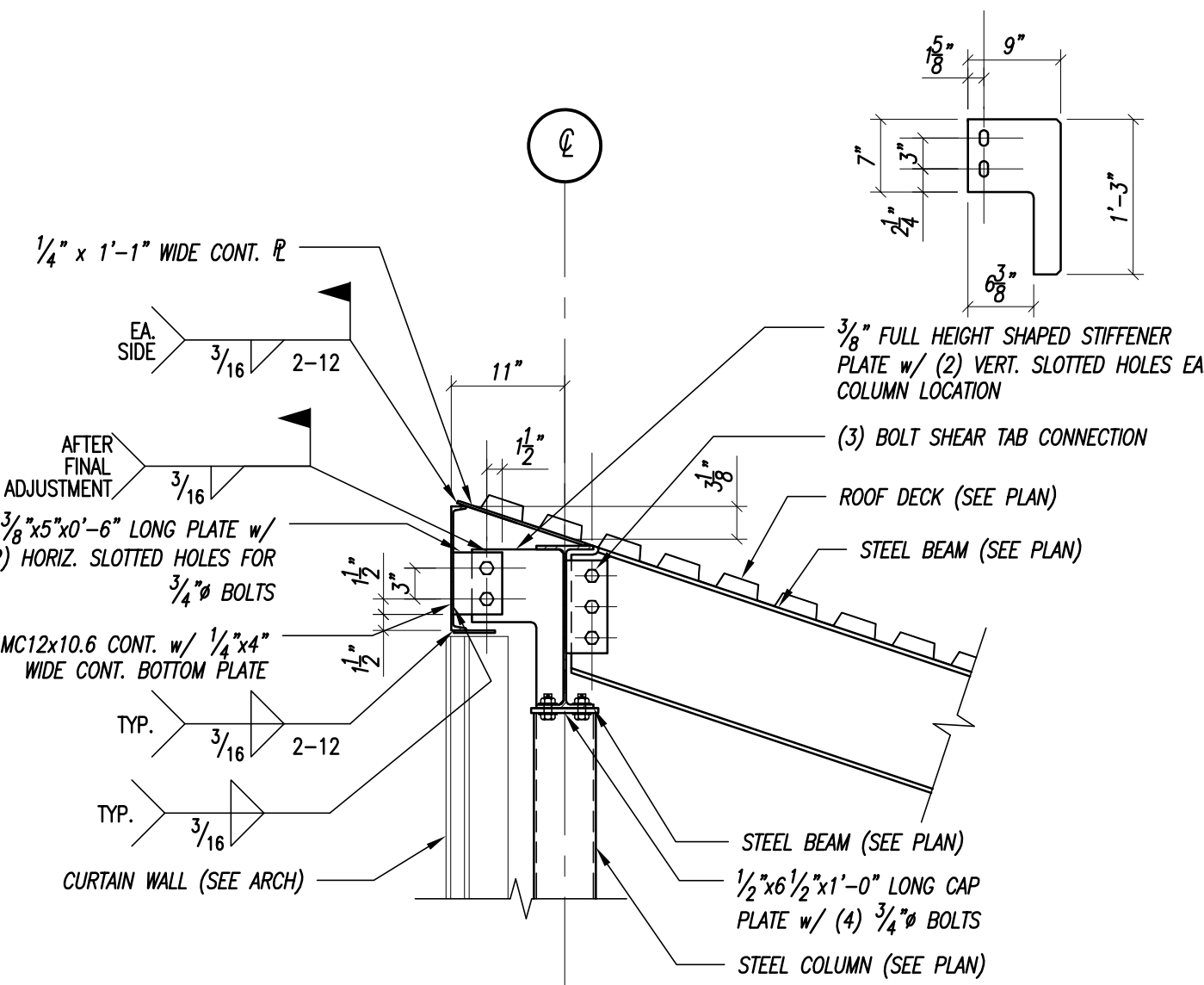
2 BASE PLATE DETAILS  
3/4" = 1'-0"



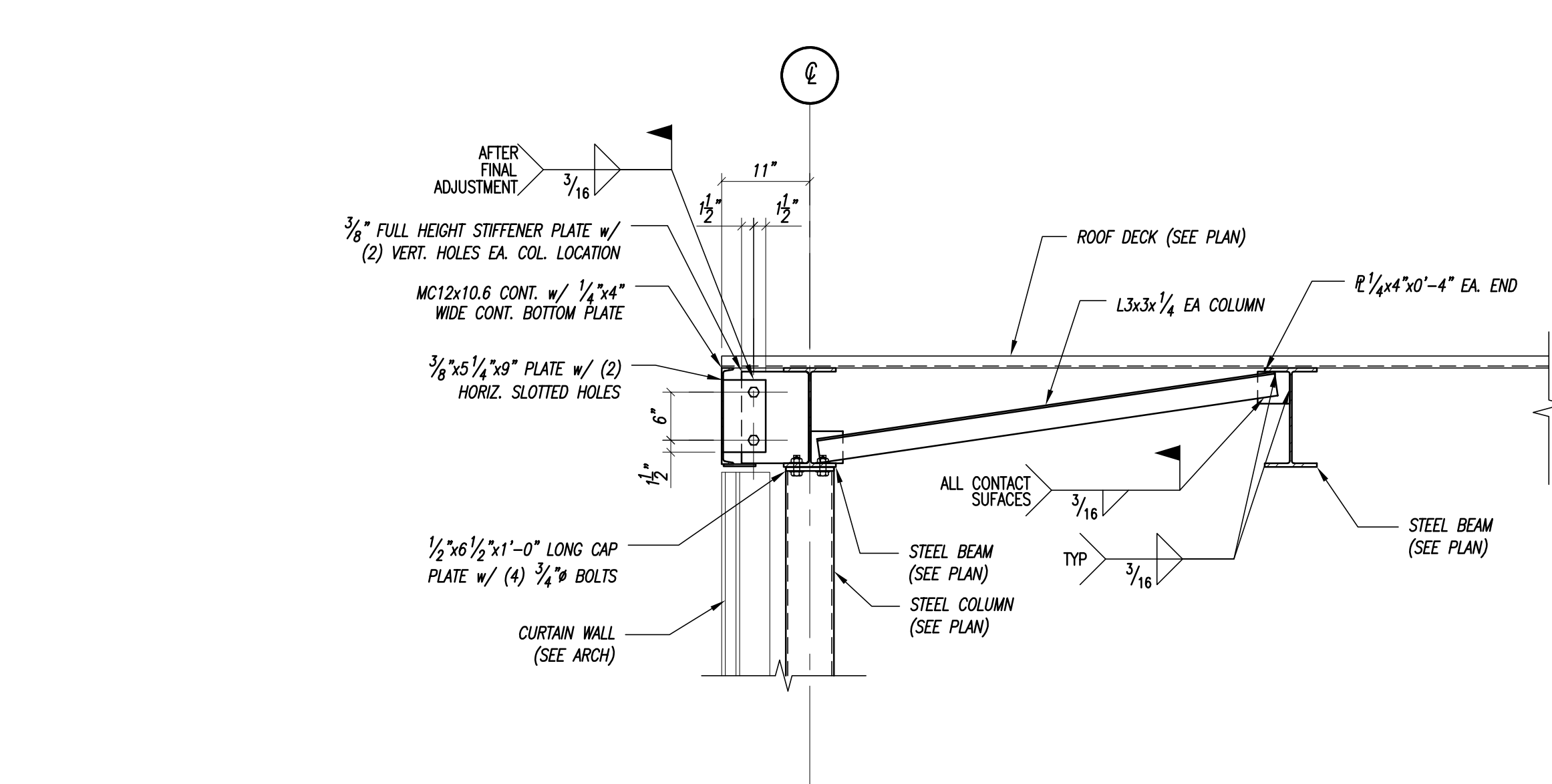
BP-2



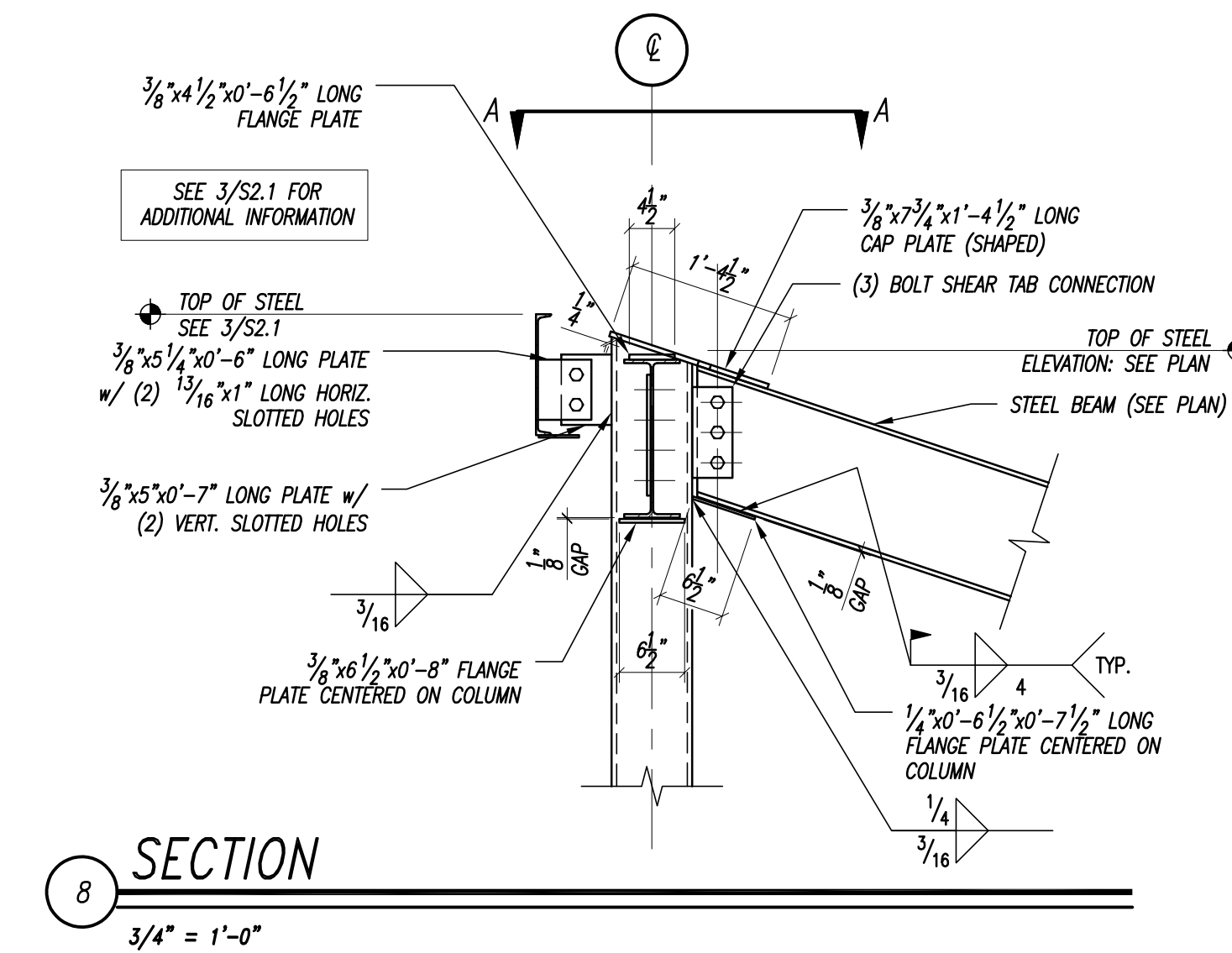
SECTION A-A



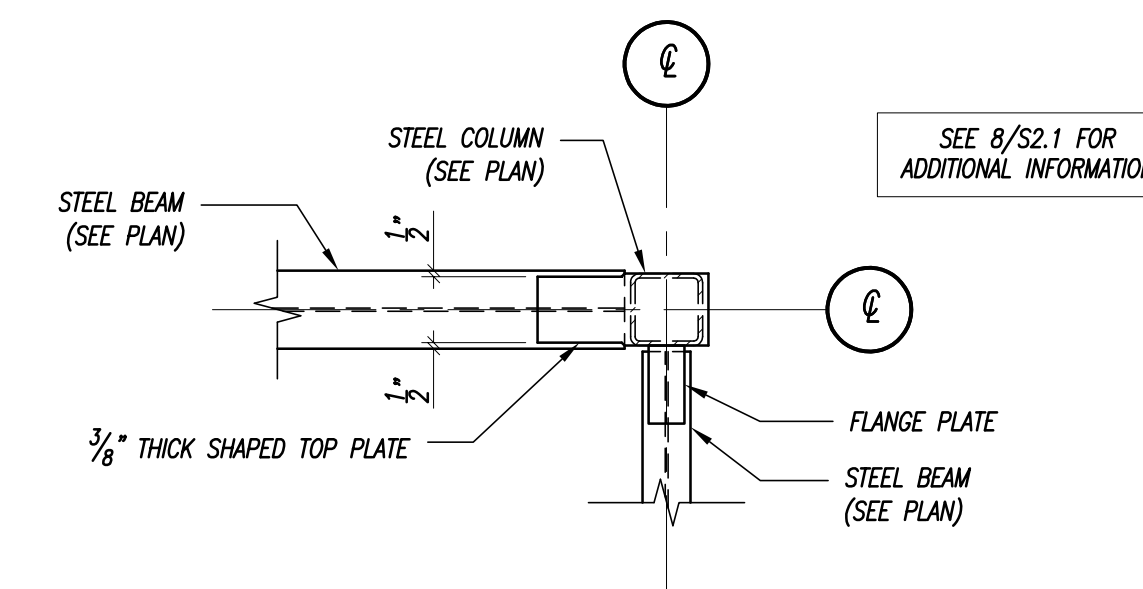
3 SECTION  
3/4" = 1'-0"



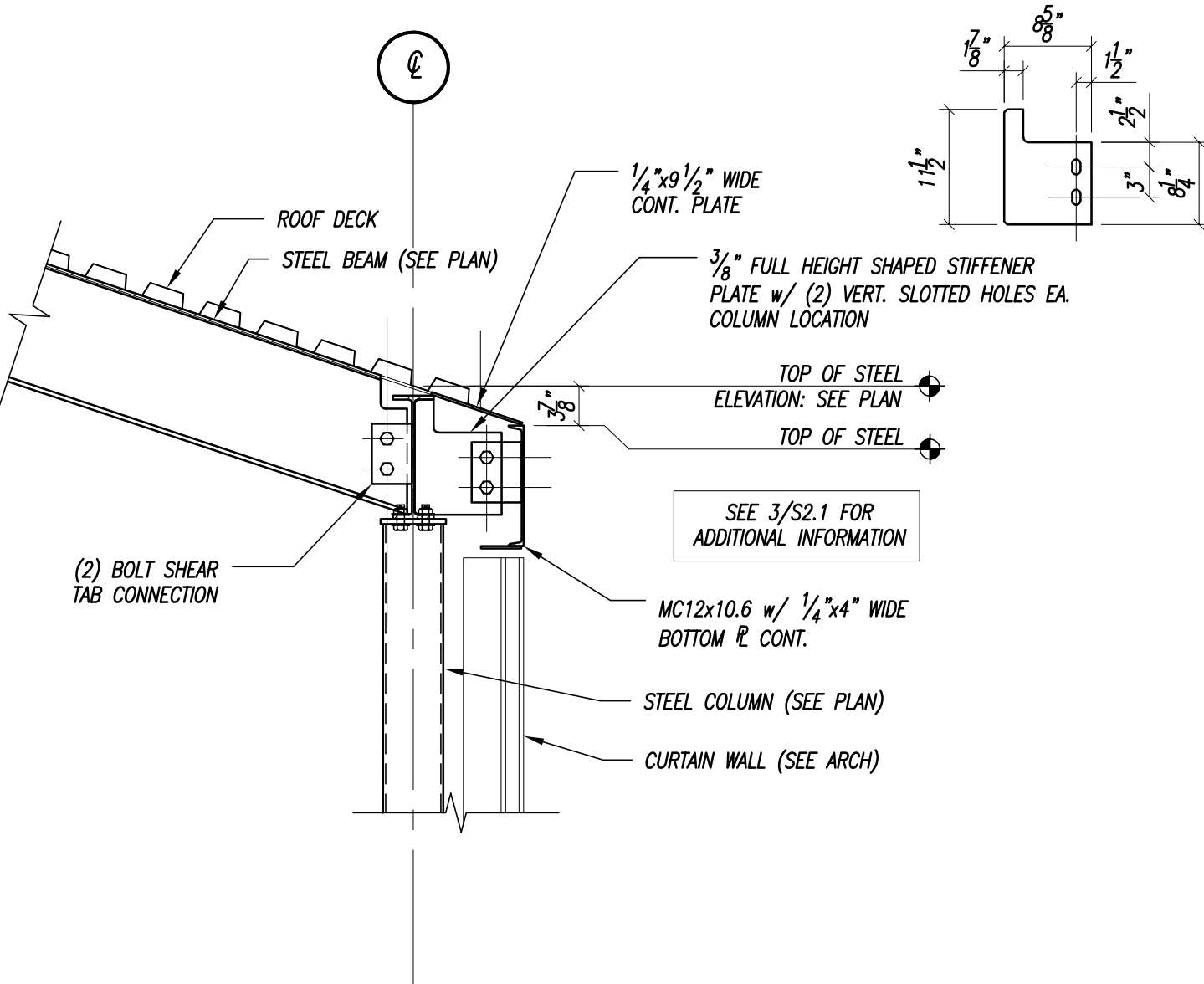
4 SECTION  
3/4" = 1'-0"



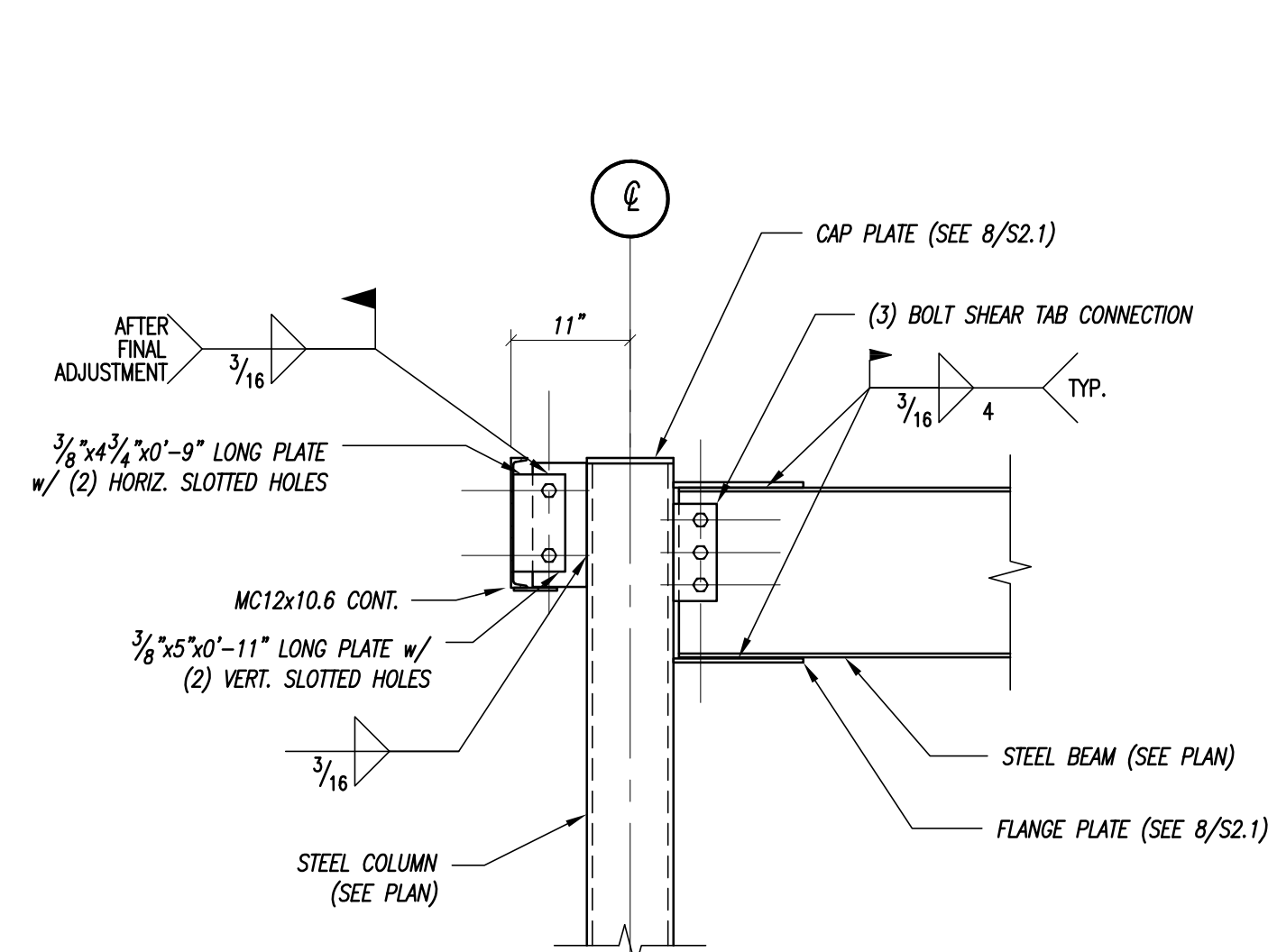
8 SECTION  
3/4" = 1'-0"



SECTION B-B



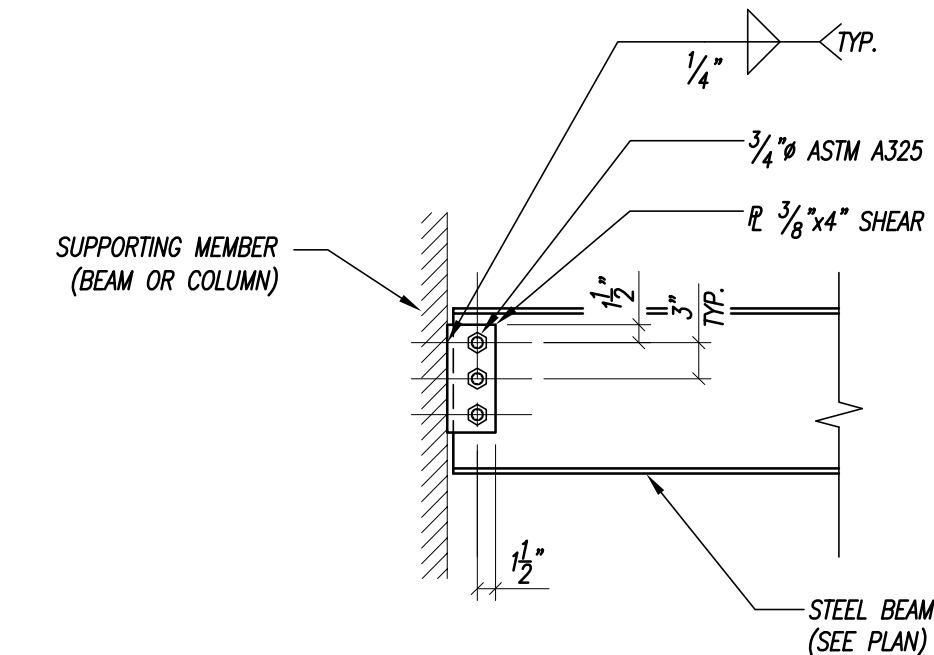
5 SECTION  
3/4" = 1'-0"



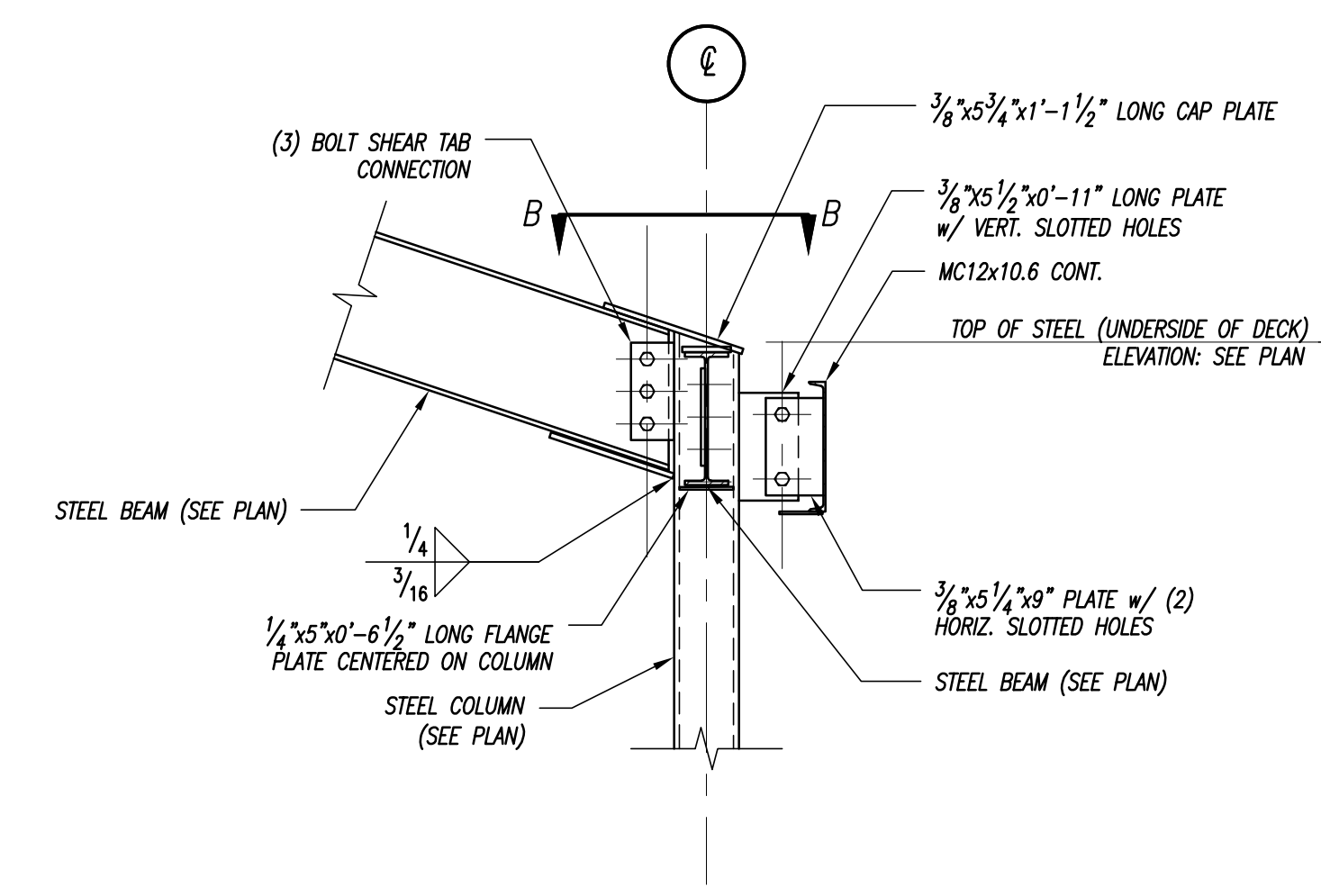
6 SECTION  
3/4" = 1'-0"

CONNECTION SCHEDULE

MINIMUM NUMBER OF 3/4" dia. A325-N BOLTS	MINIMUM PLATE LENGTH
2	6
3	9



7 TYPICAL BEAM TO HSS COLUMN CONNECTION  
3/4" = 1'-0"



9 SECTION  
3/4" = 1'-0"

Prepared For: **LAFAYETTE PROPERTIES, LLC**  
 155 LITTLEFIELD STREET  
 BANGOR, MAINE 04401

Consultant: **Building Envelope Specialists**  
 40 SOUZZAN DRIVE, SUITE 200, PORTLAND, MAINE 04106  
 PHONE: 207.460.8888

Architect: **ARCHETYPE architects**  
 48 Union Wharf Portland, Maine 04101  
 (207) 775-6022 ARCHETYPE@ARCHETYPEPA.COM

Project: **Holiday Inn**  
 88 Spring Street  
 Portland, ME

Revisions:

Date: **JUNE 30, 2017**  
 Scale: **AS NOTED**

**SECTIONS AND DETAILS**

**S2.1**