

Prepared For:
**LAFAYETTE
 PROPERTIES,
 LLC**
 155 LITTLEFIELD STREET
 BANGOR, MAINE 04401

Consultant:
Building Envelope Specialists
 P.O. BOX 23497, SOUTH PORTLAND, MAINE 04115
 PHONE: 207-800-0086

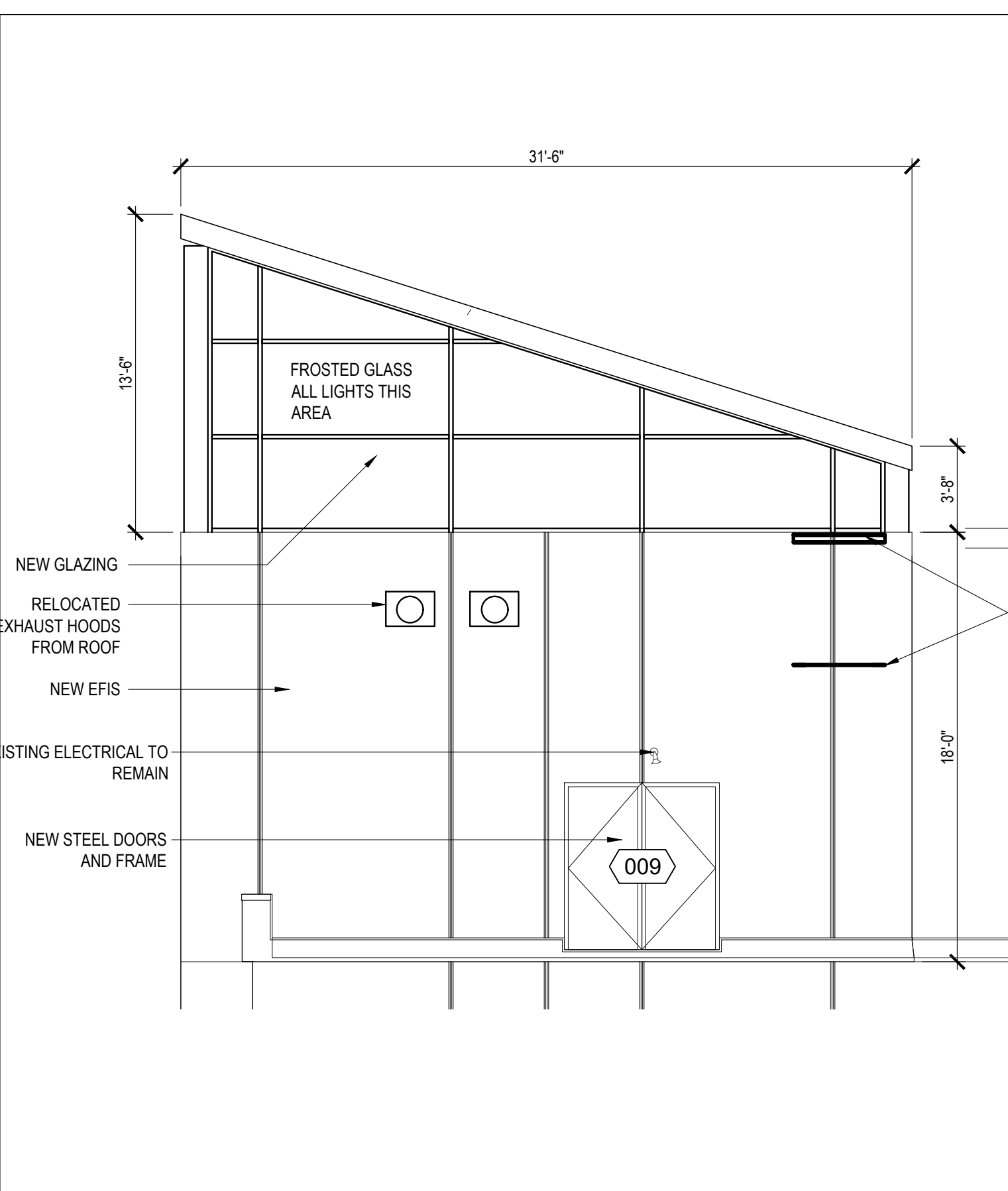
Architect:
**ARCHETYPE
 architects**
 48 Union Wharf Portland, Maine 04101
 (207) 772-6022 ARCHETYPE@ARCHETYPEPA.COM

Project:
Holiday Inn
 88 Spring Street
 Portland, ME

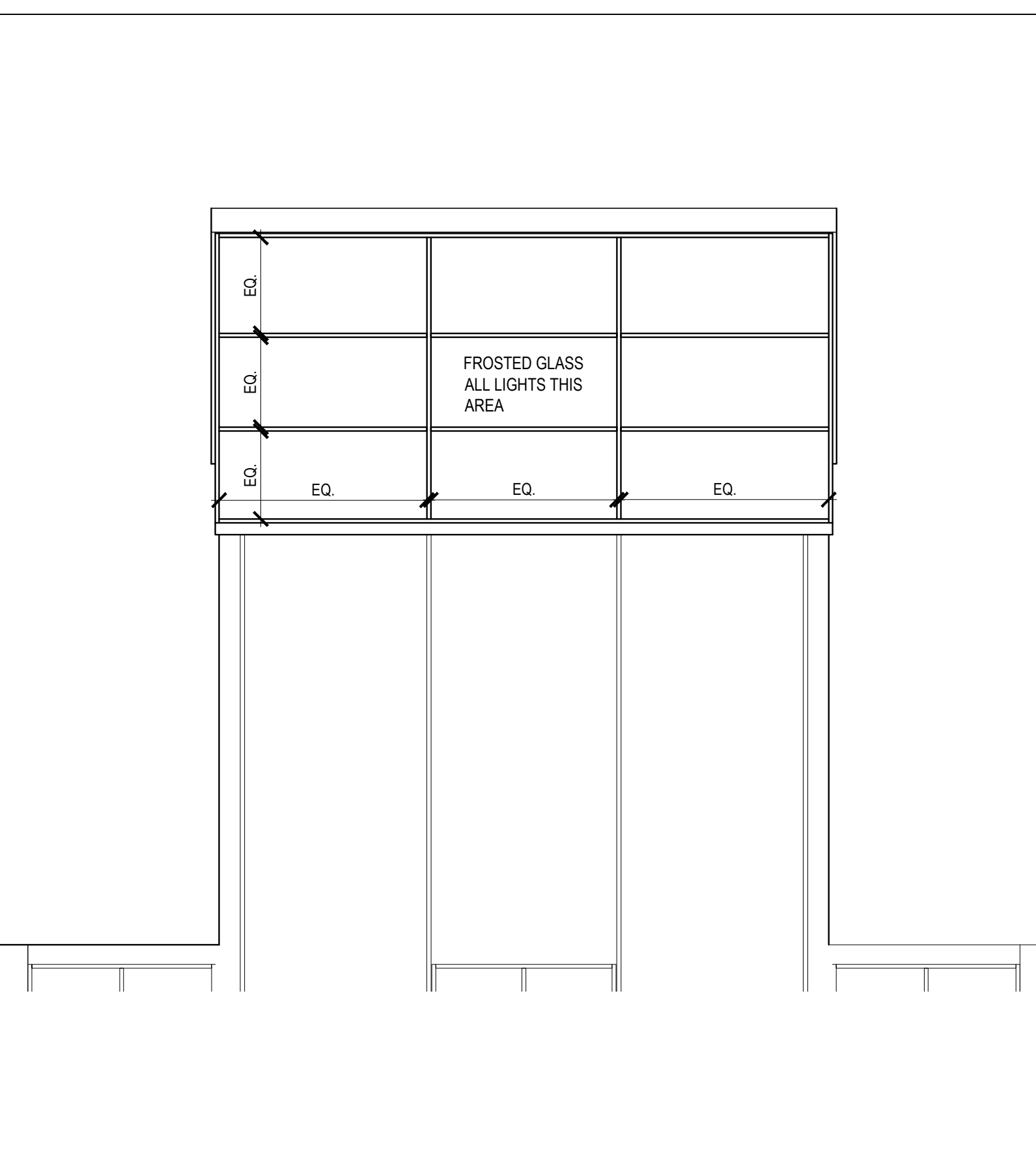
Revisions:
 MARCH 2017 95% CLIENT REVIEW
 JULY 10 2017 CLIENT FINAL REVIEW

Date: **June 30, 2017**
 Scale: **As indicated**
**ENLARGED OVER STORY
 AND STAIR TOWER
 PLAN AND ELEVATIONS**

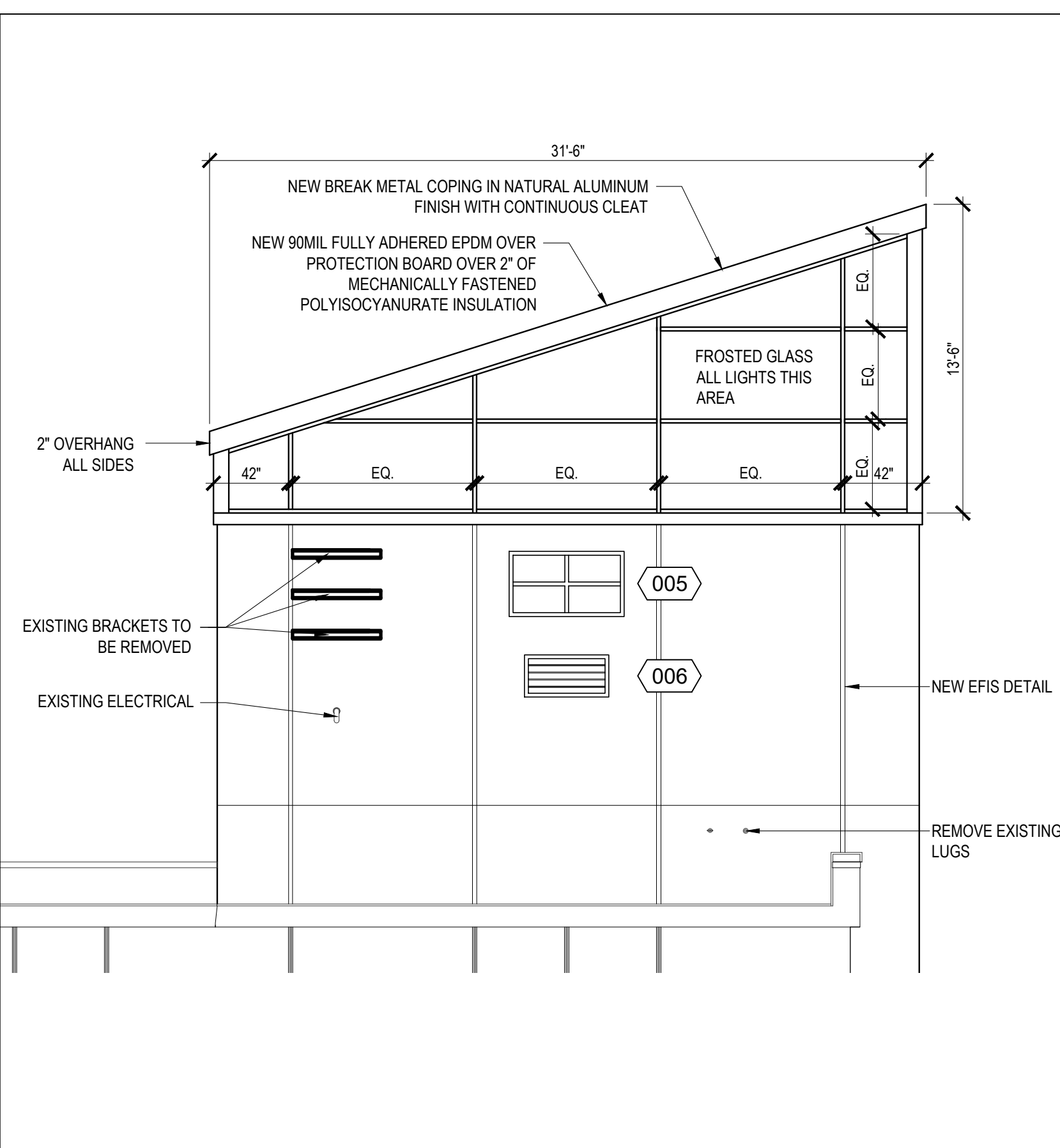
BE7



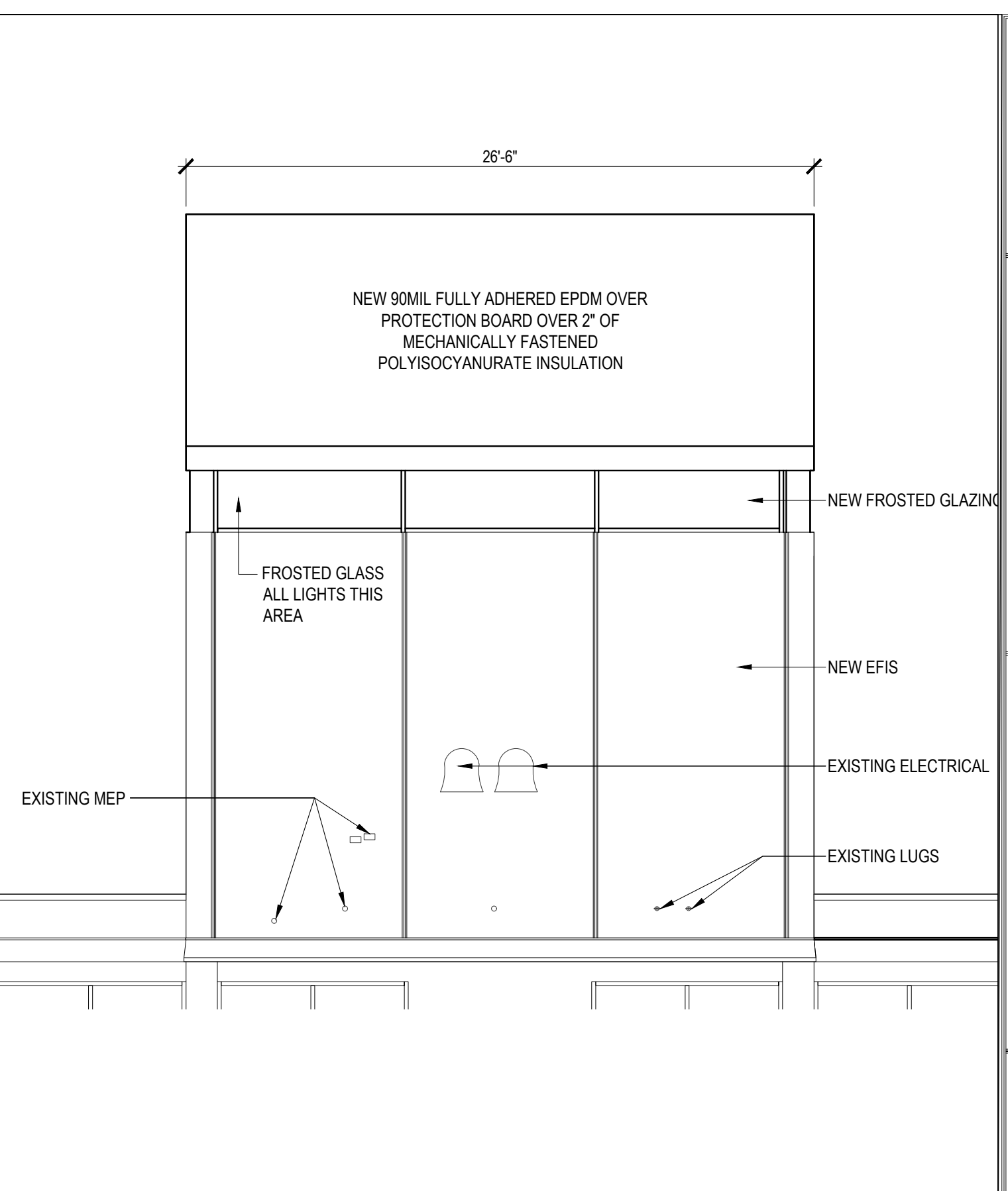
7 OVER STORY ELEVATION
 SCALE: 3/16" = 1'-0"



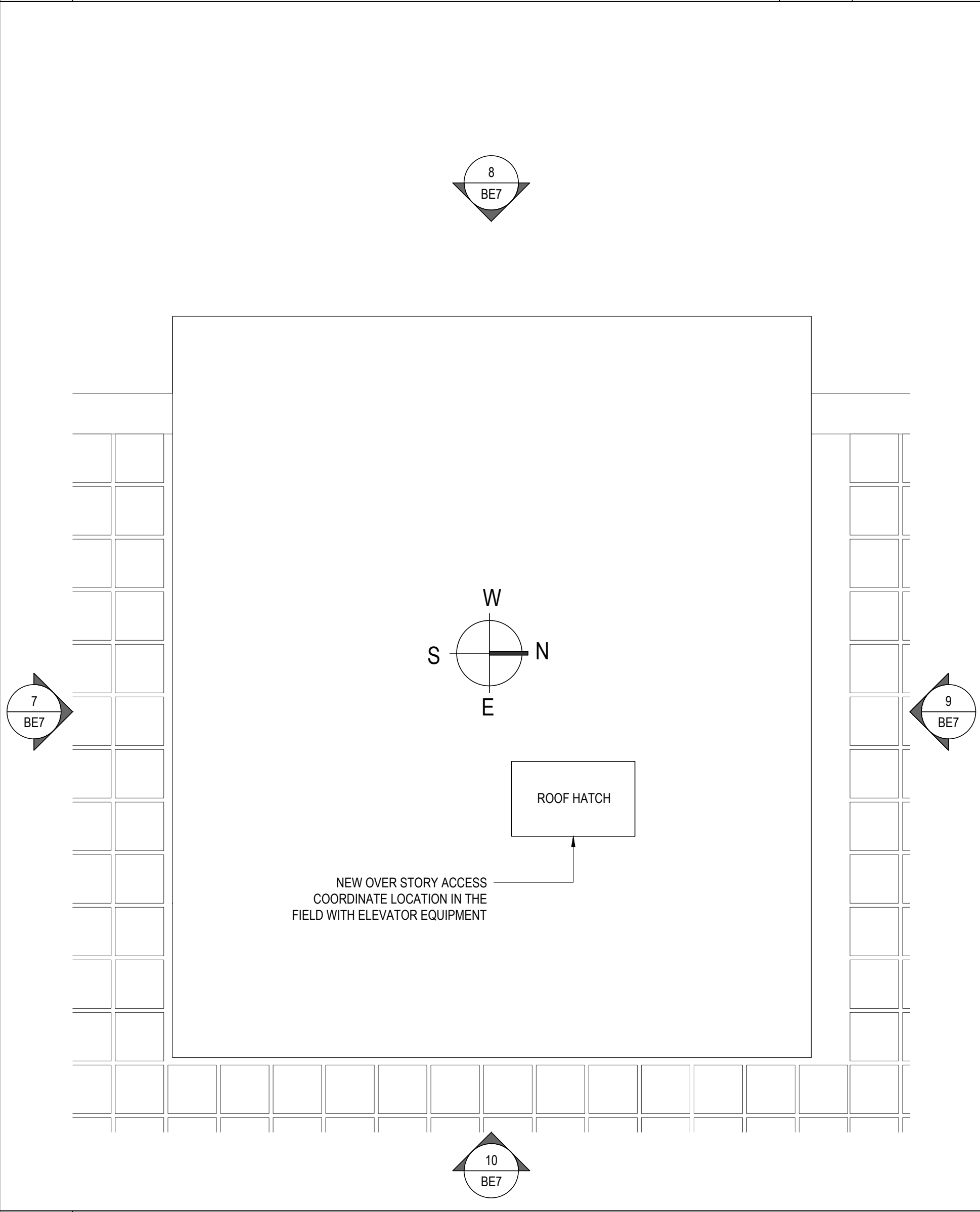
8 OVER STORY ELEVATION
 SCALE: 3/16" = 1'-0"



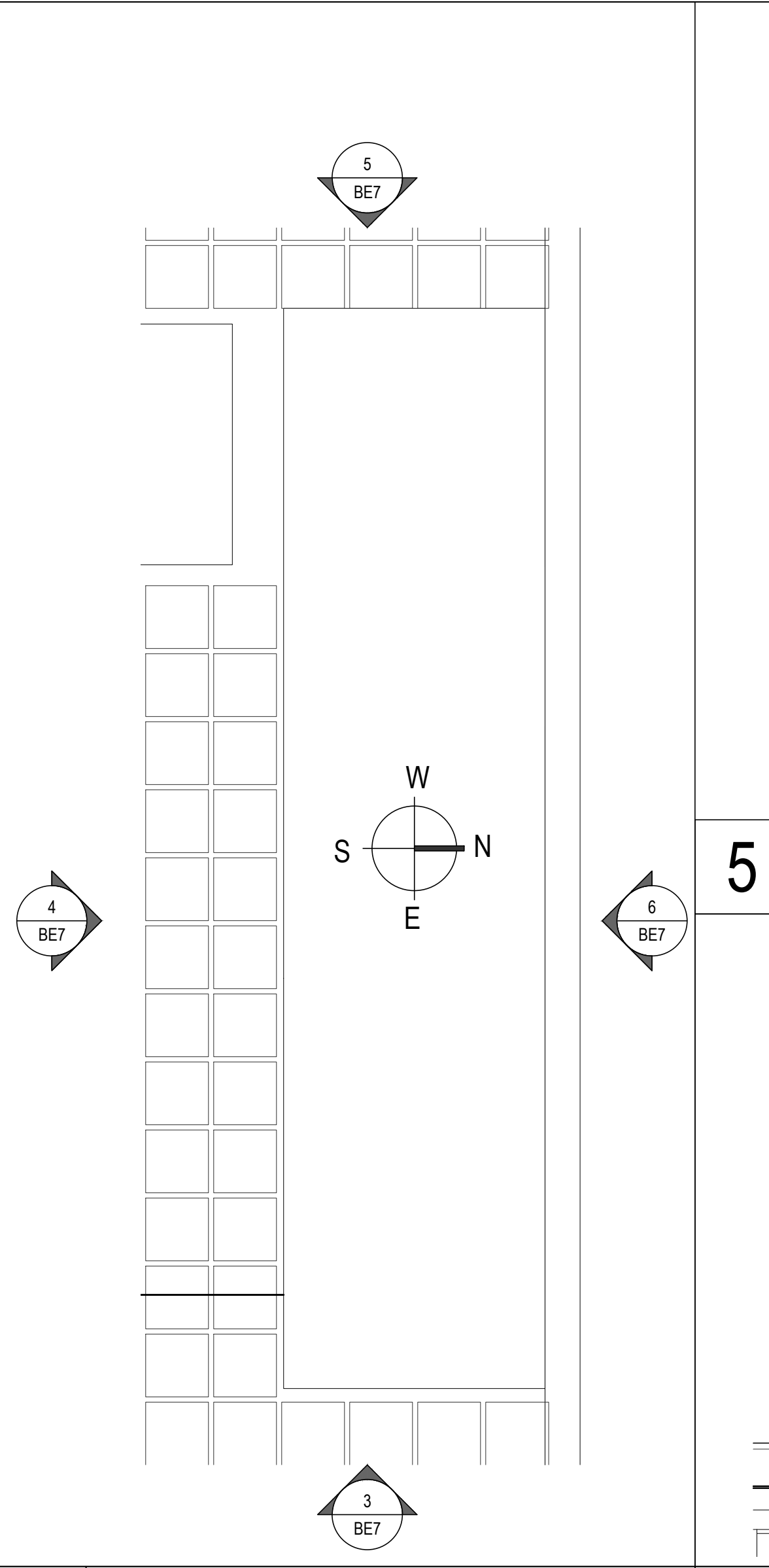
9 OVER STORY ELEVATION
 SCALE: 3/16" = 1'-0"



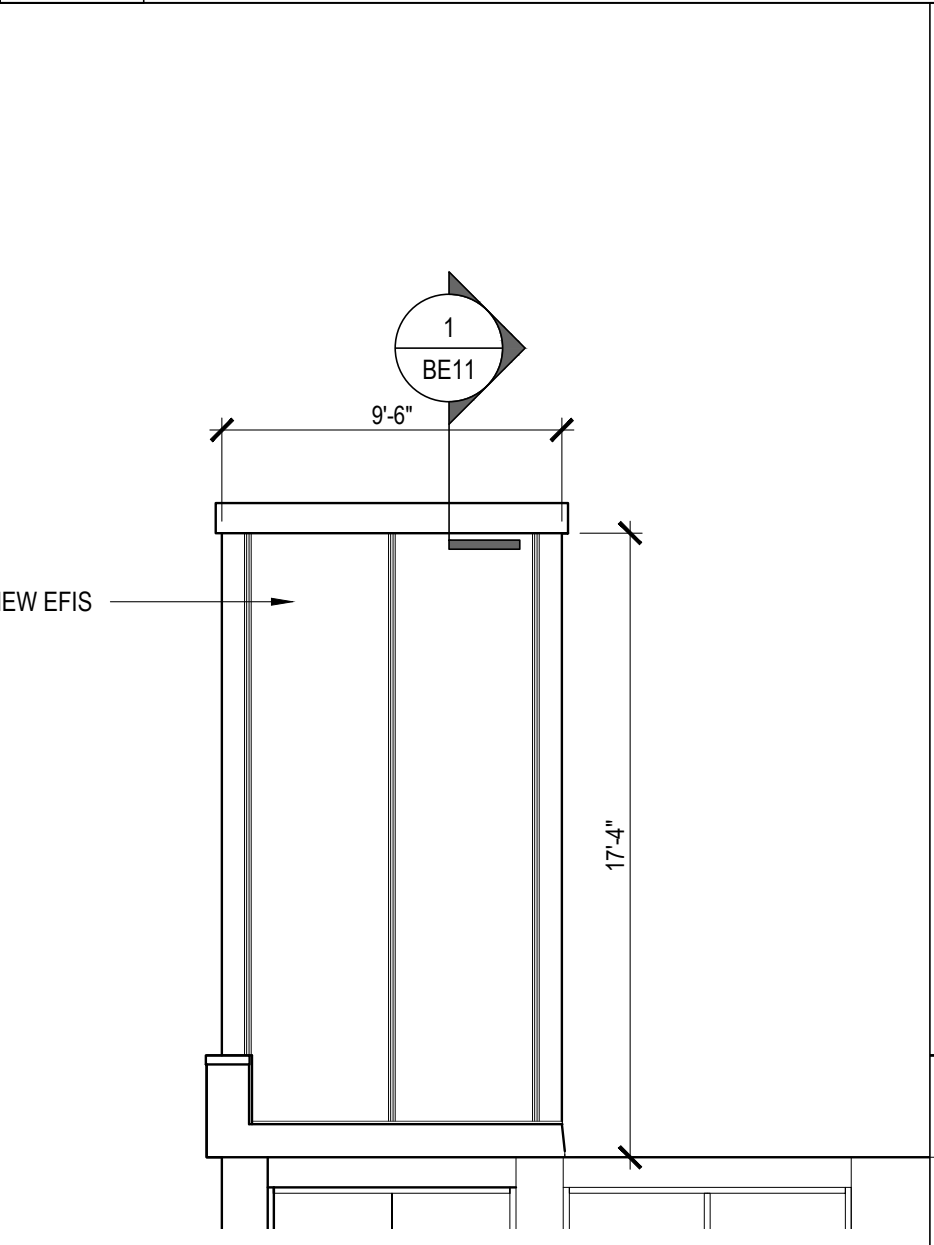
10 OVER STORY ELEVATION (WEST)
 SCALE: 3/16" = 1'-0"



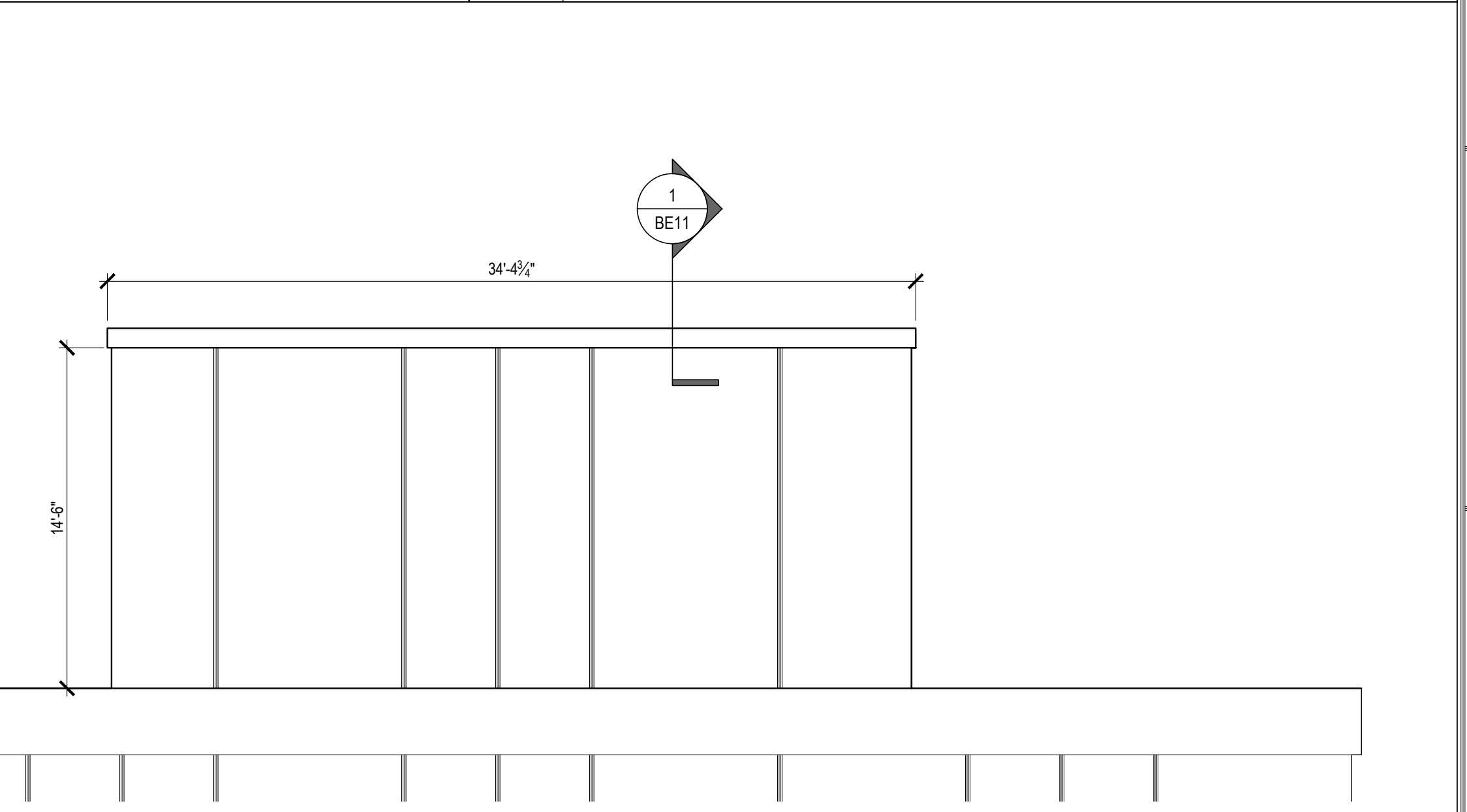
1 ENLARGED OVER STORY PLAN
 SCALE: 1/4" = 1'-0"



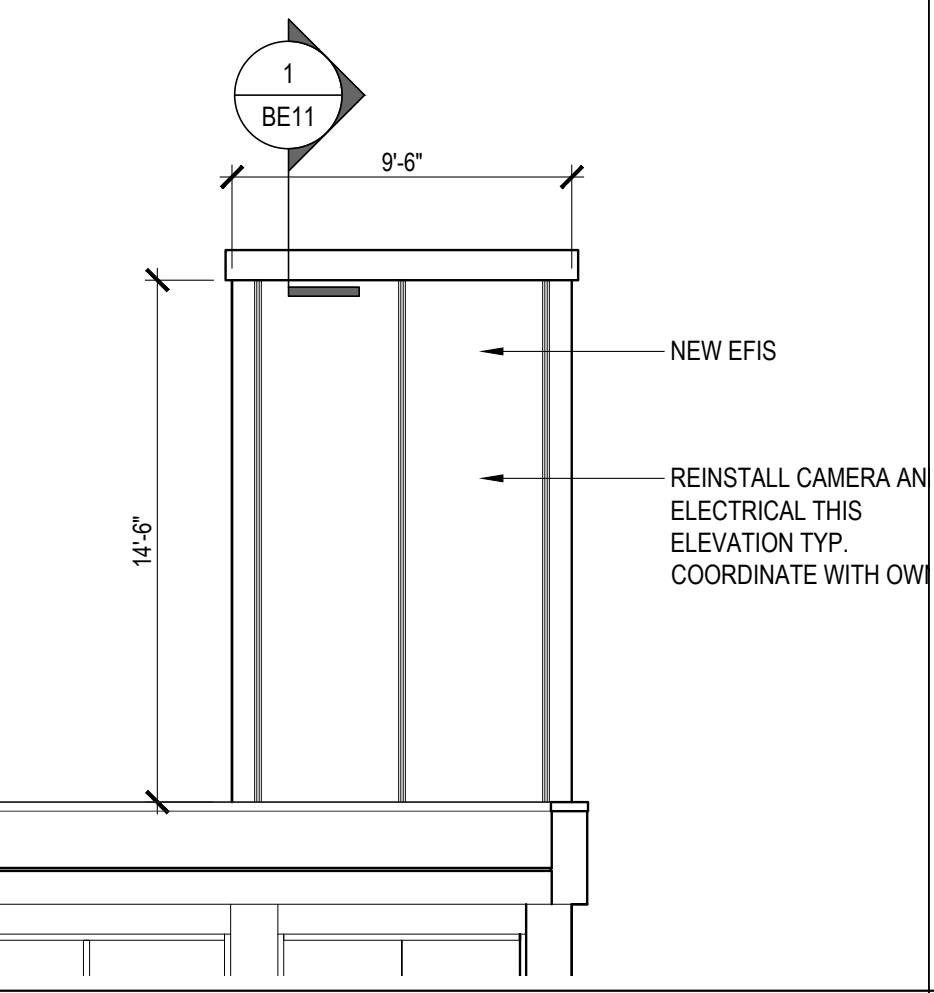
2 ENLARGED STAR TOWER PLAN
 SCALE: 1/4" = 1'-0"



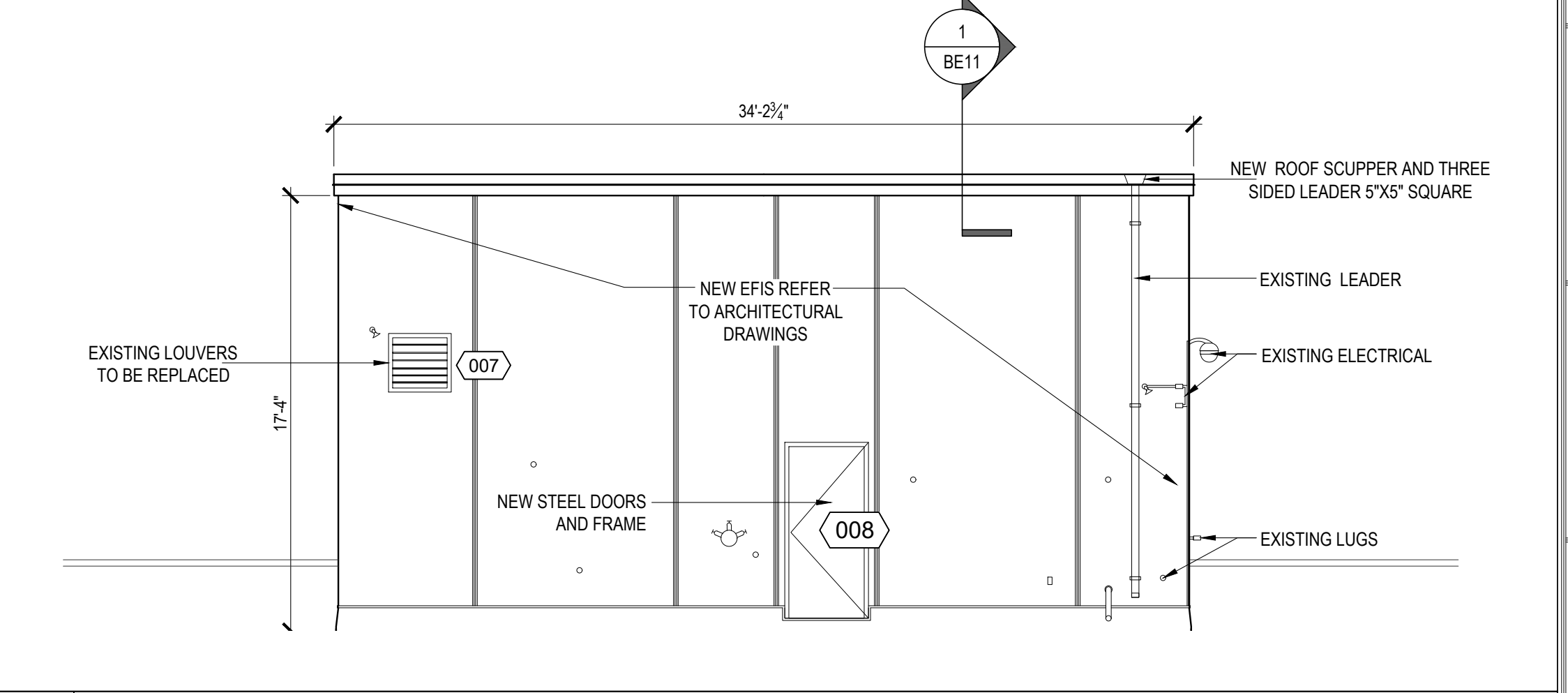
3 STAR TOWER ELEVATION
 SCALE: 3/16" = 1'-0"



4 STAR TOWER ELEVATION
 SCALE: 3/16" = 1'-0"



5 STAR TOWER ELEVATION
 SCALE: 3/16" = 1'-0"



6 STAR TOWER ELEVATION
 SCALE: 3/16" = 1'-0"