

DISPLAY THIS CARD ON PRINCIPAL FRONTAGE OF WORK CITY OF PORTLAND

Please Read
Application And
Notes, If Any,
Attached

BUILDING PERMIT

Permit Number: 100640

This is to certify that Lafayette Portland Llc/NeoKra signs _____

has permission to Erect one freestanding sign and to attach building and signs _____

AT 88 Spring St _____ CB 039 E010001 _____

provided that the person or persons, firm or corporation accepting this permit shall comply with all of the provisions of the Statutes of Maine and of the Ordinances of the City of Portland regulating the construction, maintenance and use of buildings and structures, and of the application on file in this department.

Apply to Public Works for street line and grade if nature of work requires such information.

Notification of inspection must be given and written permission procured before this building or part thereof is lathed or otherwise red-in. 24 HOUR NOTICE IS REQUIRED.

A certificate of occupancy must be procured by owner before this building or part thereof is occupied.

PERMIT ISSUED

OTHER REQUIRED APPROVALS

- Fire Dept. _____
- Health Dept. _____
- Appeal Board _____
- Other _____
Department Name

James Burke JUN 24 2010 6/24/10
Director - Building City of Portland

PENALTY FOR REMOVING THIS CARD



COLITE
INTERNATIONAL LTD.

3 TECHNOLOGY CIRCLE - COLUMBIA, SC 29924
PH. (803) 888-7888 - FAX (803) 888-8482
THIS IS AN ORIGINAL UNREPRODUCED DESIGN, OWNED BY COLITE INTERNATIONAL, LTD. IT IS IDENTIFIED FOR YOUR PROTECTIVE USE IN CONNECTION WITH THE PRODUCT PLANNED FOR YOU BY COLITE INTERNATIONAL, LTD. IT IS NOT TO BE LOANED, REPRODUCED, COPIED, OR OTHERWISE USED IN ANY MANNER WITHOUT THE WRITTEN CONSENT OF COLITE INTERNATIONAL, LTD. OR ANY PART OF THE DESIGN (INCLUDING ANY PATENT RIGHTS) BEING THE PROPERTY OF COLITE INTERNATIONAL, LTD.

HIN-100146-101

REV	NO.	DATE	DESCRIPTION
3	4	05-17-10	34157
TITLE: CUSTOM 10'-1" H LETTERSET			
CUSTOMER: HOLIDAY INN			
LOCATION: PORTLAND, ME			
DATE	ISSUED BY	SCALE	ISSUED PARTY
05-17-10	SC		
APPROVED BY	DATE		
J. O'NEAL	05-17-10		

REVISIONS

REV/PT	DATE	DESCRIPTION
A	05-17-10	CREATED NUMBER

FINAL APPROVAL

ARTWORK VERIFICATION

THIS SIGN TO BEAR UNDERWRITERS LABEL
NOTE: THIS SIGN IS INTENDED TO BE INSTALLED IN ACCORDANCE WITH THE REQUIREMENTS OF ARTICLE 600 OF THE NATIONAL ELECTRICAL CODE AND/OR OTHER APPLICABLE LOCAL CODES. THIS INCLUDES PROPER GROUNDING AND BONDING OF THE SIGN

120 VOLTS

NOTICE TO SIGN INSTALLER, THE VOLTAGE AT THIS SIGN MUST BE 120±5V VOLTS FOR THIS SIGN TO OPERATE PROPERLY

SPLICE CONNECTION BOX AND TRANSFORMER MUST NOT BE EXPOSED TO OUTSIDE WEATHER CONDITIONS

SIGNCOMP SIGTECH #NS SINGLE FILLER, OR EQUAL PAINTED (P)

SIGN COMP #2121 EXTENDED BLEED RETRO COVER OR EQUAL PAINTED (P)

SIGNCOMP #2104 FLAT BLEED RETRO FRAME, OR EQUAL

S.S. HINGE SCREW @ 18" C/C

DRILLED AND TAP 1/4" PLATE FOR LIFTING

1 1/2" x 1 1/2" x 3/16" ALUMINUM ANGLE WELDED TO FILLER AND VERTICAL ANGLE TOP AND BOTTOM

3M PANAGRAPHS FLEXIBLE FACE

FOR MAXIMUM REFLECTION INTERIOR TO BE PAINTED (P)

1 1/2" x 1 1/2" x 3/16" ALUMINUM ANGLE VERTICAL BRACE WELDED TO FILLER AND VERTICAL BRACES

.090 ALUMINUM BACK RIVETED TO FILLER EXTRUSION AND VERTICAL BRACES

3/8" DIA. BOLT WITH NUTS FLAT AND LOCK WASHERS

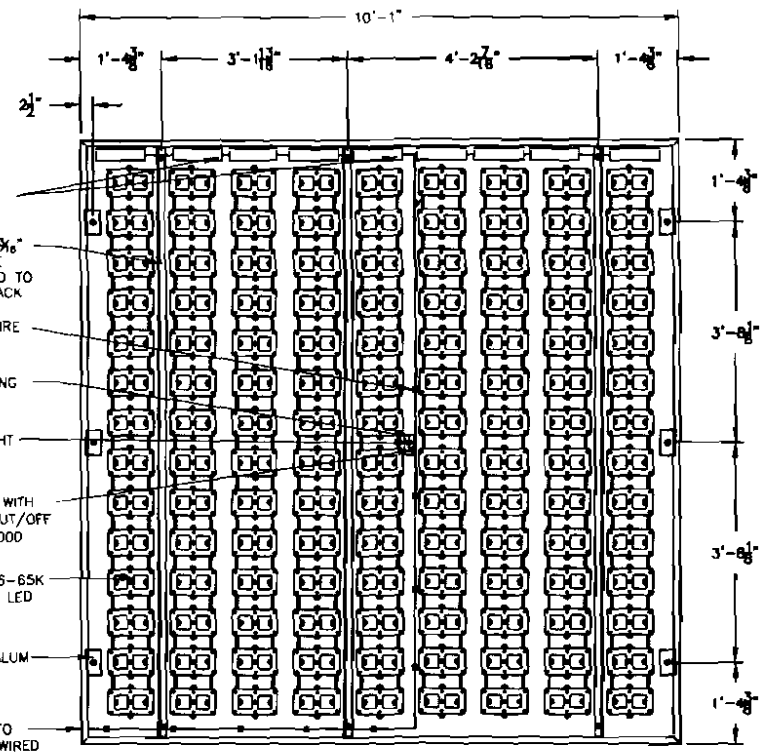
2 1/2"x2 1/2"x1/4"x3" LONG STEEL ANGLE

3/8" DIA. HILTI HAS ROD EMBEDDED IN HILTI BY 150 ADHESIVE A MIN. OF 3 1/2"

S.S. FLAT CLOSURE SCREW AS REQ'D

WEEP HOLES REQ'D

SECTION "A - A"
SCALE: 3"=1'-0"



LED LAYOUT
SCALE: 1/2"=1'-0"

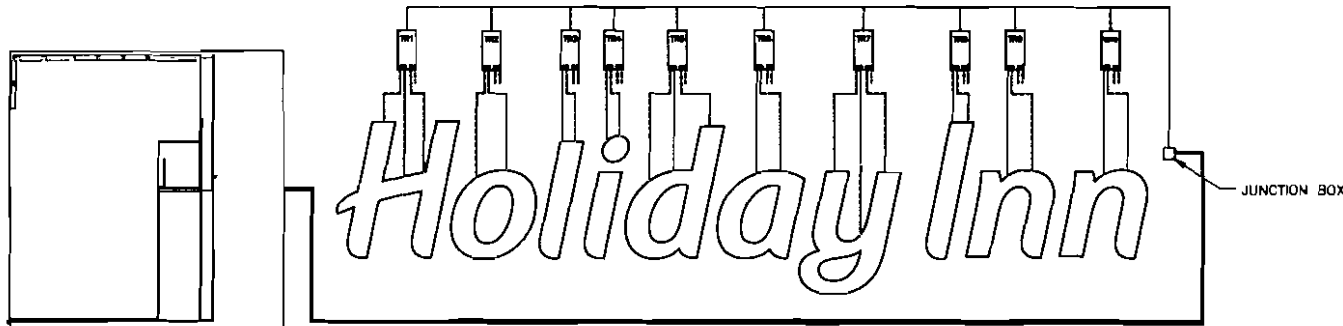
- (9) LP-1060 TRANSFORMER
- 1 1/2" x 1 1/2" x 3/16" ALUMINUM ANGLE SUPPORT WELDED TO GUSSETS AND BACK
- UL APPROVED WIRE TIES
- GREEN GROUNDING SCREW
- 1/2" WATER TIGHT CONNECTOR
- 2" x 4" J BOX WITH TRANSICO 20A CUT/OFF SWITCH MDL# 1000
- (126) GEWHOP6-65K GE POWER GRO LED
- 3"x3"x1/4"x5" ALUM ANGLE
- INTERMATIC PHOTO CELL(K42021C) WIRED INTO PRIMARY AND RAN TO MONOGRAM AND LETTERSET

NOTE: TO HAVE LEADS OUT OF MONOGRAM FOR LETTERSET WIRING. PRIMARY TO BE RAN FROM PHOTOCELL

SPECIFICATIONS		MATERIAL		PACKING LIST		
PAINT	VINYL	QTY.	INSTALLER	MATERIAL	QTY.	INSTALLER
(2) MATTHEWS MP27491 SIGN FINISH MEDIUM GREEN	(1) 3M 7725-20 MATTE WHITE	1		3/8" DIA X 6" LONG ALL THREAD STUDS	50	
(2) MATTHEWS 282 500SP 1R WHITE	DIGITAL PRINT	1				
	(2) DIGITAL DARK GREEN (DIAPAZO)	100				
TRIMCAP	ACRYLIC	100		TOUCH-UP PAINT (P1)	1	
		100				

NOTE: PLEASE FAX TO YOUR COLITE CONTACT WITHIN 24-48 HOURS TO VERIFY PRODUCT AND PACKING LIST ITEMS WERE RECEIVED IN TOTAL.
FAX # (803) 828-8412





COLITE INTERNATIONAL LTD.

A BROADWAY CORP. - BELLINGHAM, WA 98220
 PH. (800) 826-7888 - FAX (800) 826-8412

THIS IS AN ORIGINAL UNAPPROVED DESIGN. CREATION BY COLITE INTERNATIONAL LTD. IT IS SUBMITTED FOR YOUR PURSUANCE. USE OF CONTRACTOR FOR THE PROJECT PLANNED FOR YOU BY COLITE INTERNATIONAL LTD. IT IS NOT TO BE SHOWN TO ANYONE WITHOUT YOUR CONSENT. THIS SIGN IS TO BE MADE UNLESS SPECIFIC COPIES OR CHANGES TO ANY PARTS ARE MADE. ALL ON ANY PART OF THE SIGN (INCLUDING REPRODUCED MATERIALS) SHALL BE THE PROPERTY OF COLITE INTERNATIONAL LTD.

PROJECT NUMBER: **HIN-100146-101**
 SHEET: **4** OF **4** (34157)
 TITLE: **CUSTOM 10'-1" HI LETTERSET**
 PROJECT: **HOLIDAY INN**
 LOCATION: **PORTLAND, ME**
 DATE: **02-17-10** (DRAWN BY: **CE** / CHECKED BY: **CE**)
 ORDER NO: **4** (DATE: **02-17-10**)

REVISIONS

REV BY	DATE	DESCRIPTION
A	02-17-10	CREATED DRAWING

FINAL APPROVAL

ARTWORK VERIFICATION

THIS SIGN TO BEAR UNDERWRITERS LABEL
 NOTE: THIS SIGN IS INTENDED TO BE INSTALLED IN ACCORDANCE WITH THE REQUIREMENTS OF ARTICLE 600 OF THE NATIONAL ELECTRICAL CODE AND/OR OTHER APPLICABLE LOCAL CODES. THIS INCLUDES PROPER GROUNDING AND BONDING OF THE SIGN

120 VOLTS
 NOTICE TO SIGN INSTALLER: THE VOLTAGE AT THIS SIGN MUST BE 120±6 VOLTS FOR THIS SIGN TO OPERATE PROPERLY

SPLICE CONNECTION BOX AND TRANSFORMER MUST NOT BE EXPOSED TO OUTSIDE WEATHER CONDITIONS

TRANSFORMER SCHEDULE

	H	O	L	I	D	A	Y	I	N	N													
GE LEDs - GEWHPHS2-65K	17	17	17	17	14	2	17	13	6	8	17	17	17	16	17	17	13	17	5	17	14	17	14
GE TRANSFORMER - GECLPSPH	TR. 1	TR. 2	TR. 3	TR. 4	TR. 5	TR. 6	TR. 7	TR. 8	TR. 9	TR. 10													
TRANSFORMER LEGS	1A	1B	1C	2A	2B	3A	3B	4A	4B	5A	5B	5C	6A	6B	7A	7B	7C	8A	8B	9A	9B	10A	10B

Transformer has 4 Lead Out - LED Maximum per lead 17 (68) (Amps 1.50) LED COUNT: 326

SPECIFICATIONS		PACKING LIST					
PART	VINYL	MATERIAL	QTY.	INSTALLER	MATERIAL	QTY.	INSTALLER
② MATHEWS 6927481 BATH FRESH MEDIUM GREEN	⑤ 3M 7725-20 MATE WHITE	LOAD CABINET	1		3/4" DIA. X 6" LONG ALL THREAD STUDS	50	
② MATHEWS 282 BODSP NR WHITE	DIGITAL PRINT	LETTERSET	1				
	⑥ DIGITAL DARK GREEN (MIMATED)	3/8" DIA. BOLT	100				
	TRIMCAP	3/8" NUTS	100		TOUCH-UP PAINT (P1)	1	
③ TRIMCO CUSTOM 3/8" TO 1/2" OR FINISH TO MATCH 201	④ 3M ADH 90 OR 90V1 OR 90V2 OR 90V3	3/8" WASHERS	100				

NOTE: PLEASE FAX TO YOUR COLITE CONTACT WITHIN 24-48 HOURS TO VERIFY PRODUCT AND PACKING LIST (ITEMS WERE RECEIVED IN TOTAL)
 FAX # (803) 926-8412

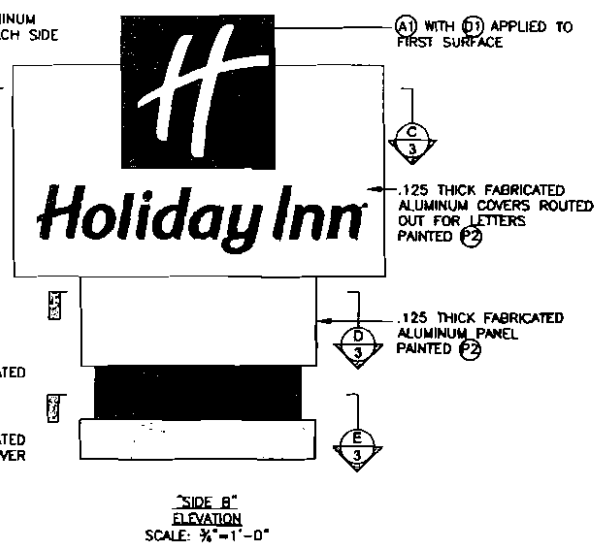
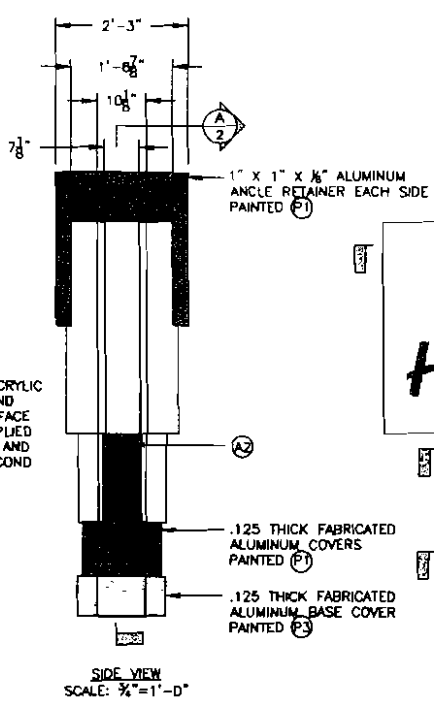
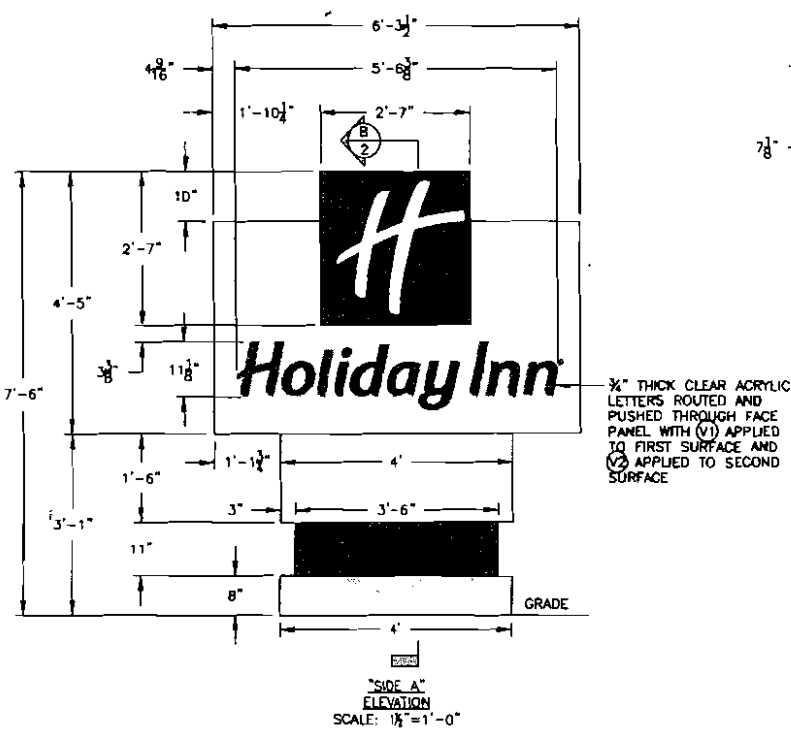
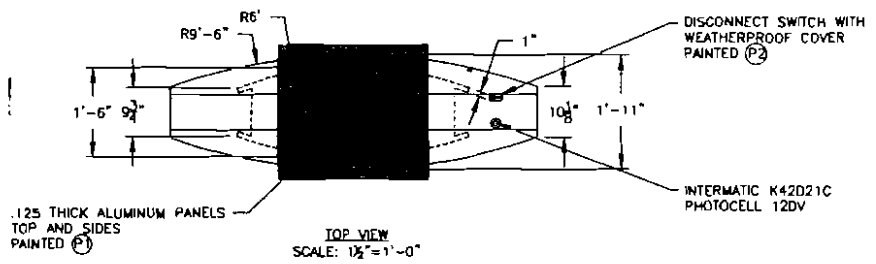




HIN-100141-104
 1 6 34757
 CUSTOM P-25 DOCUMENT

HOLIDAY INN
 PORTLAND, ME
 05-10-10 MM
 05-10-10

R 10-05-10-10' CREATED DRAWING



FINAL APPROVAL
 ARTWORK VERIFICATION
 XX XX-XX-XX
 THIS SIGN TO BEAR UNDERWRITERS LABEL
 NOTE: THIS SIGN IS INTENDED TO BE INSTALLED IN ACCORDANCE WITH THE REQUIREMENTS OF ARTICLE 800 OF THE NATIONAL ELECTRICAL CODE AND/OR OTHER APPLICABLE LOCAL CODES. THIS INCLUDES PROPER GROUNDING AND BONDING OF THE SIGN

120 VOLTS
 NOTICE TO SIGN INSTALLER: THE VOLTAGE AT THIS SIGN MUST BE 120±8 VOLTS FOR THIS SIGN TO OPERATE PROPERLY

SPlice CONNECTION BOX AND TRANSFORMER MUST NOT BE EXPOSED TO OUTSIDE WEATHER CONDITIONS

SPECIFICATIONS		PACKING LIST	
PAINT	VINYL	MATERIAL	MATERIAL
(1) WATKINS SP7441, SATIN FINISH MEDIUM GREEN	(1) 3M TRANSLUCENT GREEN	MONLABORT	QTY. INSTALLER
(2) MATHEWS SP87546 SATIN FINISH WHITE	(2) 2x (30x30-30 (30% DIFFUSED)	1/2" DIA. X 2 1/2" LONG HEX BOLTS	4
(3) MATHEWS #13425P BRUSHED ALUMINUM	ACRYLIC	3/8" NUTS	6
DIGITAL	(A) 3/8" THICK ACRYLIC (2447	1/2" WASHERS	8
(4) INTERMATIC HI GREEN PRINTED	(B) 3/8" THICK CYD ACRYLIC 50 (9001) OR (9002) (9003) (9004)	TOUCH-UP PAINT (P1, P2 & P3)	1

NOTE: PLEASE FAX TO YOUR COLITE CONTACT WITHIN 24-48 HOURS TO VERIFY PRODUCT AND PACKING LIST ITEMS WERE RECEIVED IN TOTAL.
 FAX # (803) 926-8412



John D. Lafayette, III
& Carla J. Lafayette
Owners

1. Best Western White House Inn
Bangor, Maine
2. Best Western Black Bear Inn
and Conference Center
Orono, Maine
3. Fireside Inn & Suites
Bangor, Maine
4. Best Western Waterville Inn
Waterville, Maine
5. Fireside Inn & Suites
Auburn, Maine
6. The Tugboat Inn
Boothbay Harbor, Maine
7. Best Western Merry Manor Inn
South Portland, Maine
8. Lafayette's Oceanfront Resort
9. The Oxcart Lane Inn
Wells Beach, Maine
10. Waves Oceanfront Resort
11. The Viking
12. The Horizon
Old Orchard Beach, Maine
13. Fireside Inn & Suites
Gilford, New Hampshire
14. Boothbay Harbor Inn
Boothbay Harbor, Maine
15. A Fireside Inn & Suites
West Lebanon, New Hampshire
16. Wonder View Inn
Bar Harbor, Maine
17. Norseman Resort
Ogunquit, Maine
18. Ogunquit River Plantation
Ogunquit, Maine
19. Seacrests Resort
Ogunquit, Maine
20. Comfort Inn Ocean's Edge
Belfast, Maine
21. Bar Harbor Hotel-Bluenose Inn
Bar Harbor, Maine
22. Best Western Greenfield Inn
Allen Park, Michigan
23. Best Western Senator Inn & Spa
Augusta, Maine
24. Nordic Villages Resort
Jackson, NH
25. Sea View Motel
Old Orchard Beach, Maine
26. Holiday Inn by the Bay
Portland, Maine
27. Holiday Inn West
Portland, Maine

May 7, 2010

Re: Holiday Inn by the Bay sign permit

To Whom it Concerns:

Colite International & NeoKraft Signs have our permission to perform sign work at the Holiday Inn by the Bay.

Lafayette Portland, LLC owns the property and leases it to Lafayette Inn by the Bay, Inc. which operates the business. The address for both entities is 155 Littlefield Ave., Bangor, Maine 04401.

You can reach me at 207-862-8000 if you have any questions or if you need any other information.

Sincerely,



Jackie Rawcliffe, CFO
Lafayette Hotels

Managed under contract:

28. Anchorage Inn Portsmouth
Portsmouth, New Hampshire
29. Anchorage Inn Rochester
Gonic, New Hampshire

RECEIVED MAY 10 2010



CERTIFICATE OF LIABILITY INSURANCE

DATE (MM/DD/YYYY)
5/12/2010

PRODUCER (207) 947-7345 FAX:

Cross Insurance
74 Gilman Road
P.O. Box 1388
Bangor ME 04401

THIS CERTIFICATE IS ISSUED AS A MATTER OF INFORMATION ONLY AND CONFERS NO RIGHTS UPON THE CERTIFICATE HOLDER. THIS CERTIFICATE DOES NOT AMEND, EXTEND OR ALTER THE COVERAGE AFFORDED BY THE POLICIES BELOW.

INSURED
Lafayette Hotels, Inc.
Lafayette Inn By The Bay, Inc.
155 Littlefield Ave.
Bangor ME 04401

INSURERS AFFORDING COVERAGE

INSURER A: Citizens Ins Co of America

NAIC #

31534

INSURER B:

INSURER C:

INSURER D:

INSURER E:

COVERAGES

THE POLICIES OF INSURANCE LISTED BELOW HAVE BEEN ISSUED TO THE INSURED NAMED ABOVE FOR THE POLICY PERIOD INDICATED. NOTWITHSTANDING ANY REQUIREMENT, TERM OR CONDITION OF ANY CONTRACT OR OTHER DOCUMENT WITH RESPECT TO WHICH THIS CERTIFICATE MAY BE ISSUED OR MAY PERTAIN, THE INSURANCE AFFORDED BY THE POLICIES DESCRIBED HEREIN IS SUBJECT TO ALL THE TERMS, EXCLUSIONS AND CONDITIONS OF SUCH POLICIES. AGGREGATE LIMITS SHOWN MAY HAVE BEEN REDUCED BY PAID CLAIMS.

INSR ADD'L LTR INSRD	TYPE OF INSURANCE	POLICY NUMBER	POLICY EFFECTIVE DATE (MM/DD/YYYY)	POLICY EXPIRATION DATE (MM/DD/YYYY)	LIMITS
A	GENERAL LIABILITY <input checked="" type="checkbox"/> COMMERCIAL GENERAL LIABILITY <input type="checkbox"/> CLAIMS MADE <input checked="" type="checkbox"/> OCCUR <input checked="" type="checkbox"/> Liquor Liability	232818740205	11/1/2009	11/1/2010	EACH OCCURRENCE \$ 1,000,000 DAMAGE TO RENTED PREMISES (Ea occurrence) \$ 100,000 MED EXP (Any one person) \$ 5,000 PERSONAL & ADV INJURY \$ 1,000,000 GENERAL AGGREGATE \$ 2,000,000 PRODUCTS - COMP/OP AGG \$ 2,000,000 Liquor \$1,000,000
	GEN'L AGGREGATE LIMIT APPLIES PER <input checked="" type="checkbox"/> POLICY <input type="checkbox"/> PRO-JECT <input type="checkbox"/> LOC				
	AUTOMOBILE LIABILITY <input type="checkbox"/> ANY AUTO <input type="checkbox"/> ALL OWNED AUTOS <input type="checkbox"/> SCHEDULED AUTOS <input type="checkbox"/> HIRED AUTOS <input type="checkbox"/> NON-OWNED AUTOS				COMBINED SINGLE LIMIT (Ea accident) \$ BODILY INJURY (Per person) \$ BODILY INJURY (Per accident) \$ PROPERTY DAMAGE (Per accident) \$
	GARAGE LIABILITY <input type="checkbox"/> ANY AUTO				AUTO ONLY - EA ACCIDENT \$ OTHER THAN EA ACC \$ AUTO ONLY: AGG \$
	EXCESS / UMBRELLA LIABILITY <input type="checkbox"/> OCCUR <input type="checkbox"/> CLAIMS MADE DEDUCTIBLE RETENTION \$				EACH OCCURRENCE \$ AGGREGATE \$ \$ \$ \$
	WORKERS COMPENSATION AND EMPLOYERS' LIABILITY ANY PROPRIETOR/PARTNER/EXECUTIVE OFFICER/MEMBER EXCLUDED? (Mandatory in NH) <input type="checkbox"/> Y/N If yes, describe under SPECIAL PROVISIONS below				WC STATU-TORY LIMITS <input type="checkbox"/> OTH-ER <input type="checkbox"/> E.L. EACH ACCIDENT \$ E.L. DISEASE - EA EMPLOYEE \$ E.L. DISEASE - POLICY LIMIT \$
	OTHER				

DESCRIPTION OF OPERATIONS / LOCATIONS / VEHICLES / EXCLUSIONS ADDED BY ENDORSEMENT / SPECIAL PROVISIONS

The certificate holder is named as additional insured but only with respect to liability caused by the operation of the named insured.
Refer to policy for exclusionary endorsements and special provisions.

CERTIFICATE HOLDER

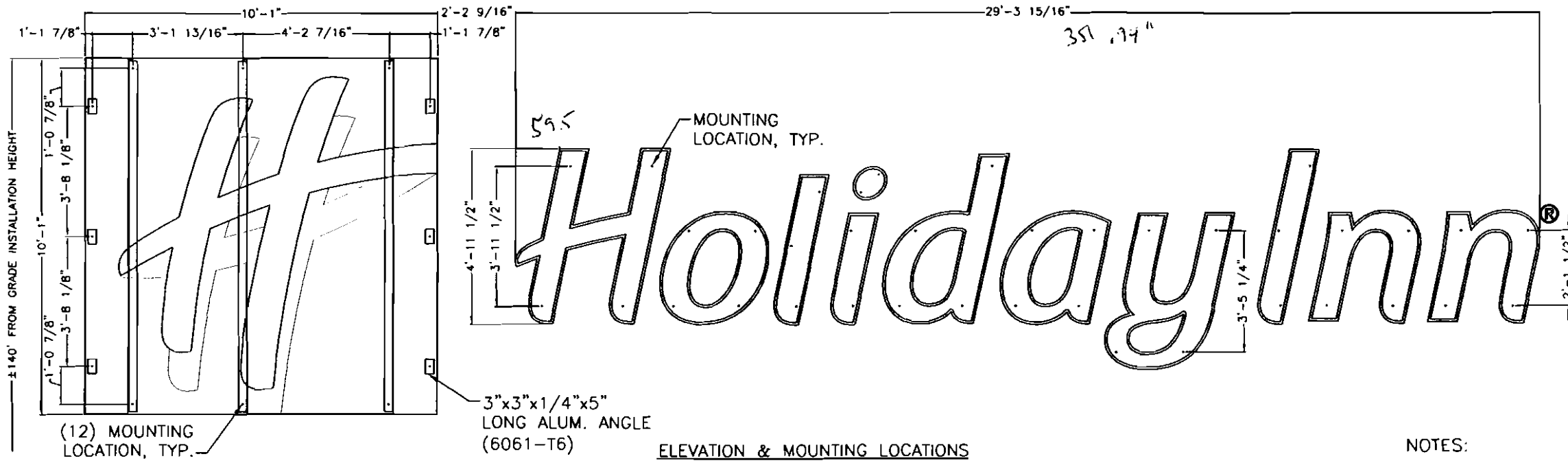
City of Portland
389 Congress Street
Portland, ME 04101

CANCELLATION

SHOULD ANY OF THE ABOVE DESCRIBED POLICIES BE CANCELLED BEFORE THE EXPIRATION DATE THEREOF, THE ISSUING INSURER WILL ENDEAVOR TO MAIL 10 DAYS WRITTEN NOTICE TO THE CERTIFICATE HOLDER NAMED TO THE LEFT, BUT FAILURE TO DO SO SHALL IMPOSE NO OBLIGATION OR LIABILITY OF ANY KIND UPON THE INSURER, ITS AGENTS OR REPRESENTATIVES.

AUTHORIZED REPRESENTATIVE

Kelley Neptune, AU,



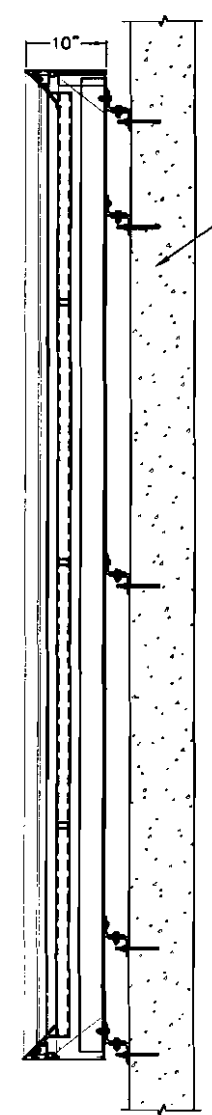
351.94 x 59.5 = 20942.43
 145.42
 121 x 21 = 2541
 101.67
 145.42
 247.09

ELEVATION & MOUNTING LOCATIONS

NOTES:

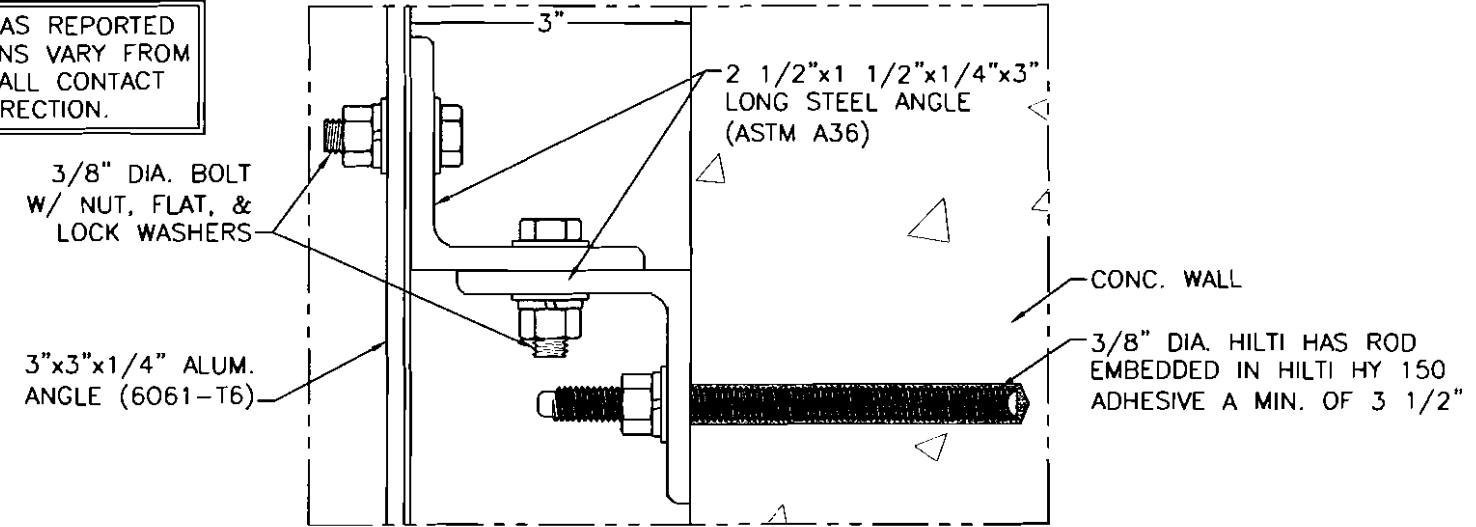
1. Design is based on 100 mph 3 second gust design wind speed per IBC 2003. Components & cladding, zone 5, exposure C.
2. No additional wind catching surfaces are added to the building structure. The customer's building engineer is to determine the adequacy of the supporting structure. Electrical design by others.
3. Letters and logo design by others.
4. Max tension per fastener (logo): 410 lbs. Max shear per fastener (logo): 70 lbs. Max tension per fastener (letter): 145 lbs. Max shear per fastener (letter): 15 lbs.
5. All fasteners shall be zinc coated to prevent corrosion.
6. All wall penetrations shall be sealed to prevent water intrusion.
7. This design is intended to be installed at the address shown below and should not be used at other locations unless deemed suitable by a competent Professional Engineer.

WALL CONSTRUCTION DEPICTED IS AS REPORTED BY CLIENT. SHOULD FIELD CONDITIONS VARY FROM WHAT IS SHOWN, CONTRACTOR SHALL CONTACT COLITE INTERNATIONAL FOR DIRECTION.



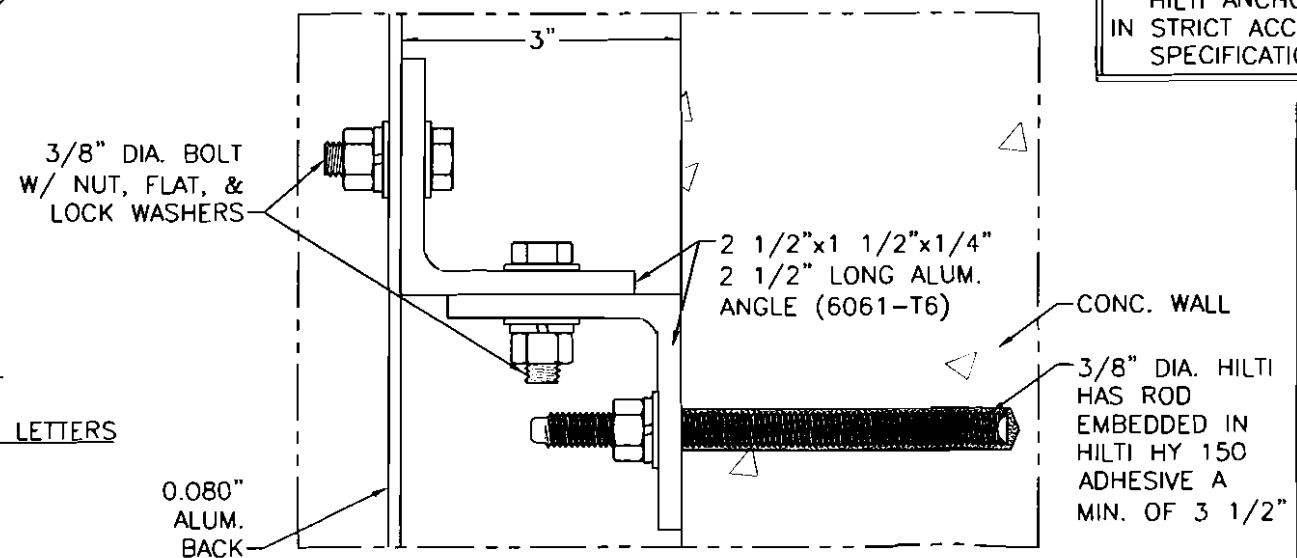
TYPICAL SECTION @ LETTERS

TYPICAL SECTION @ LOGO



MOUNTING DETAIL @ LOGO

HILTI ANCHOR SYSTEM TO BE INSTALLED IN STRICT ACCORDANCE WITH MANUFACTURERS SPECIFICATIONS AND RECOMMENDATIONS.



MOUNTING DETAIL @ LETTERS

NOTE: All designs and plans indicated on this drawing are the sole property of GREGORY A. CAMPBELL, P.E., created specifically for the noted project. Use of these designs or plans for any purpose other than the intended application shall be prohibited without the written consent of GREGORY A. CAMPBELL, P.E. Disclosure of any of the information enclosed herein, without consent of owner, is a violation of intellectual property and shall not be tolerated.

Gregory A. Campbell
 5-11-10

INSTALLATION ADDRESS:
 HOLIDAY INN
 88 SPRING STREET
 PORTLAND, ME 04101

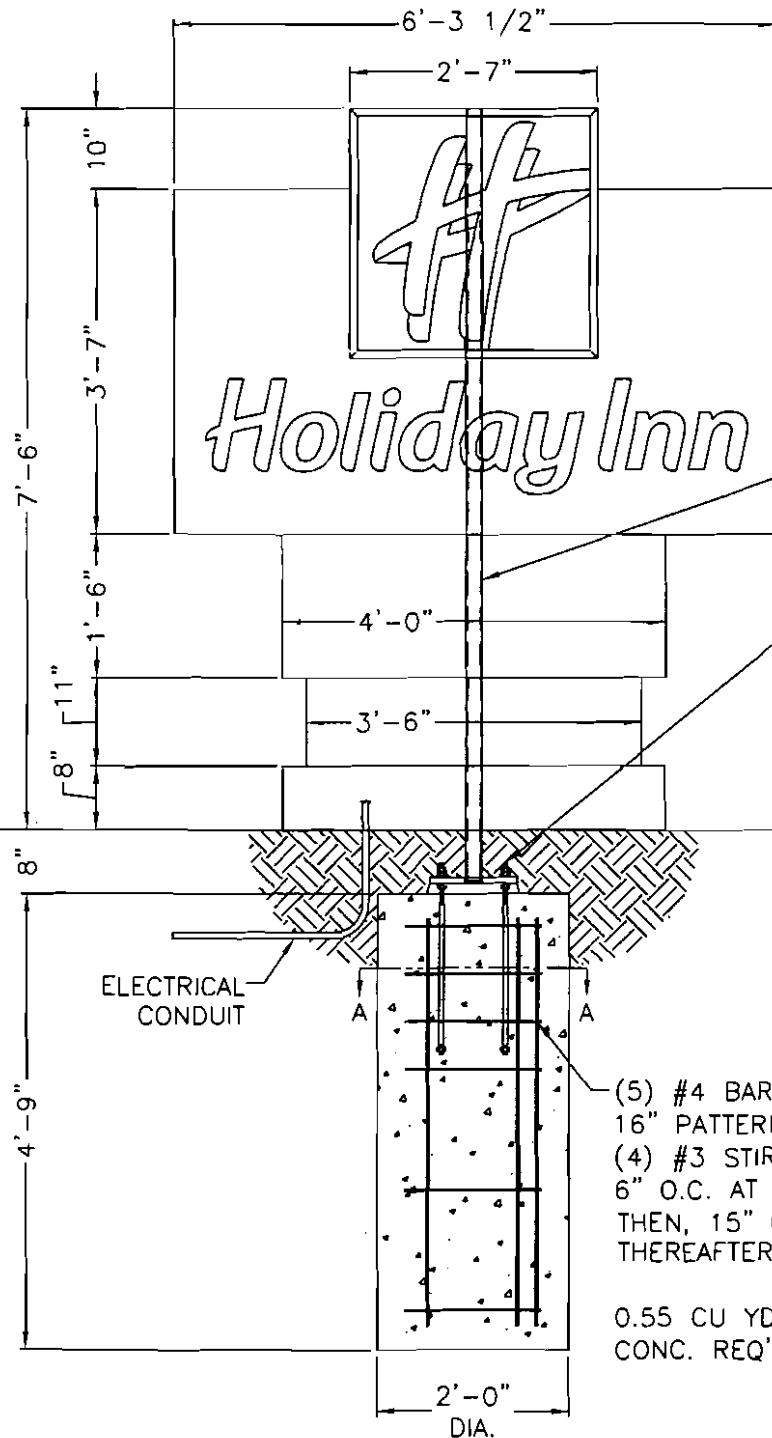
CLIENT:

COLITE INTERNATIONAL LTD.
 5 TECHNOLOGY CIRCLE
 COLUMBIA, SC 29203
 PHONE: (803) 926-7926

GREGORY A. CAMPBELL, P.E.
 9051 Executive Park Dr.-Ste. 200 • Knoxville, Tennessee • 37923
 (865) 539-4001 • fax:(865) 539-0851

SHT.	1	BY:	JBL	Project Number:	10-0388
OF	1	DATE:	05/11/10	Drawing Number:	B139391

53' x 75.5 = 37.71



CABINET &
CLADDING DESIGN
BY OTHERS

ELECTRICAL DESIGN
BY OTHERS

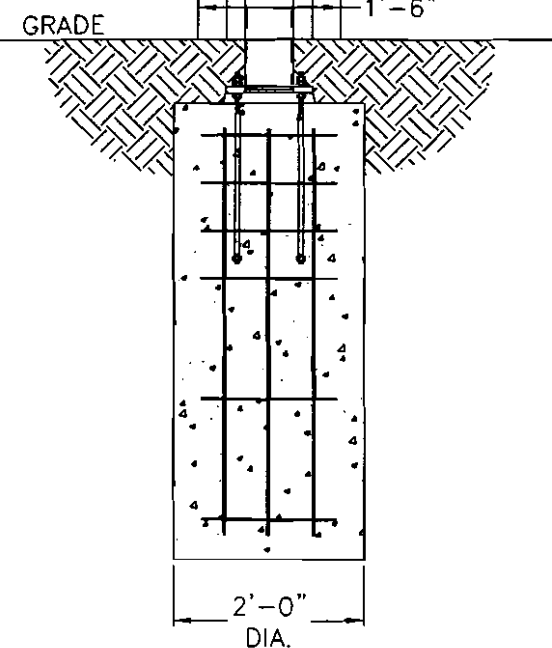
6"x2"x3/16"
STEEL TUBE

5/8" DIA. x 24"
LONG ANCHOR
BOLT (4 REQ'D)

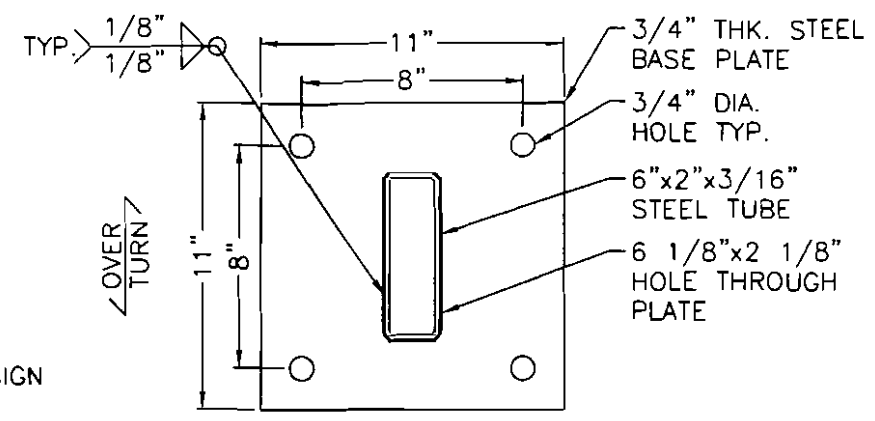
(5) #4 BARS ON A
16" PATTERN WITH
(4) #3 STIRRUPS @
6" O.C. AT TOP 18"
THEN, 15" O.C.
THEREAFTER

0.55 CU YDS. OF
CONC. REQ'D.

ELEVATION

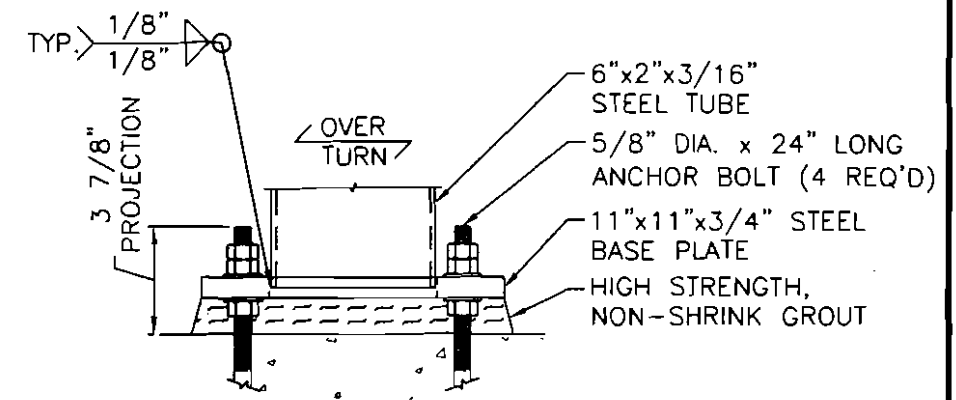


SIDE VIEW

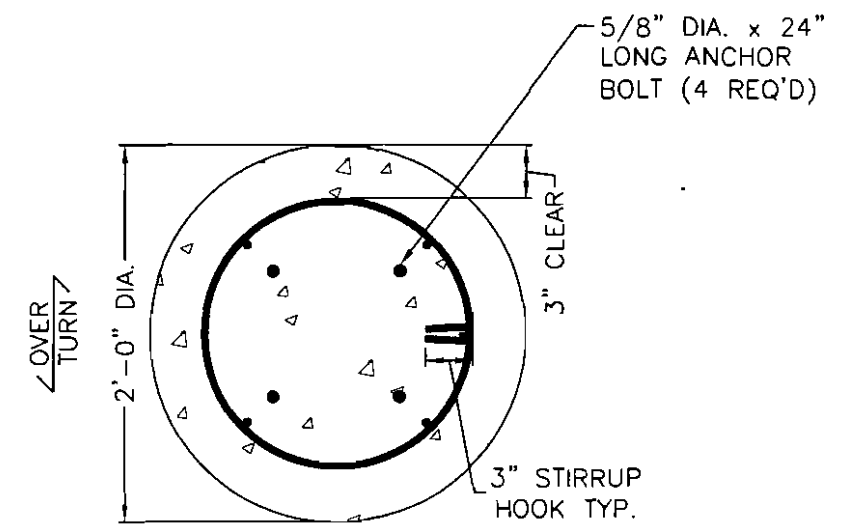


BASE PLATE DETAIL

PARTICULAR CARE SHALL BE
TAKEN TO PROVIDE SUFFICIENT
PREHEAT OF THE THICKER
ELEMENT FOR THE SOUNDNESS
OF THE WELD. OTHERWISE, USE
1/4" MIN. WELD.



ANCHOR BOLT PROJECTION DETAIL



SECTION A-A

NOTE: All designs and plans indicated on the drawing are the sole property of GREGORY A. CAMPBELL, P.E., created specifically for the noted project. Use of these designs or plans for any purpose other than the intended application shall be prohibited without the written consent of GREGORY A. CAMPBELL, P.E. Disclosure of any of the information contained within, without consent of owner, is a violation of intellectual property and shall not be tolerated.

INSTALLATION ADDRESS:
HOLIDAY INN
88 SPRING ST
PORTLAND, ME 04101

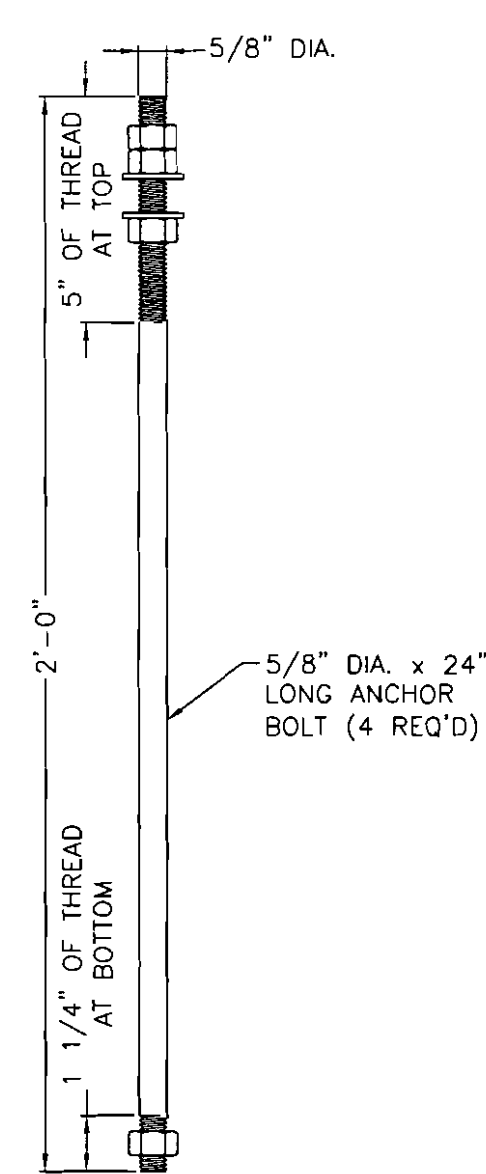
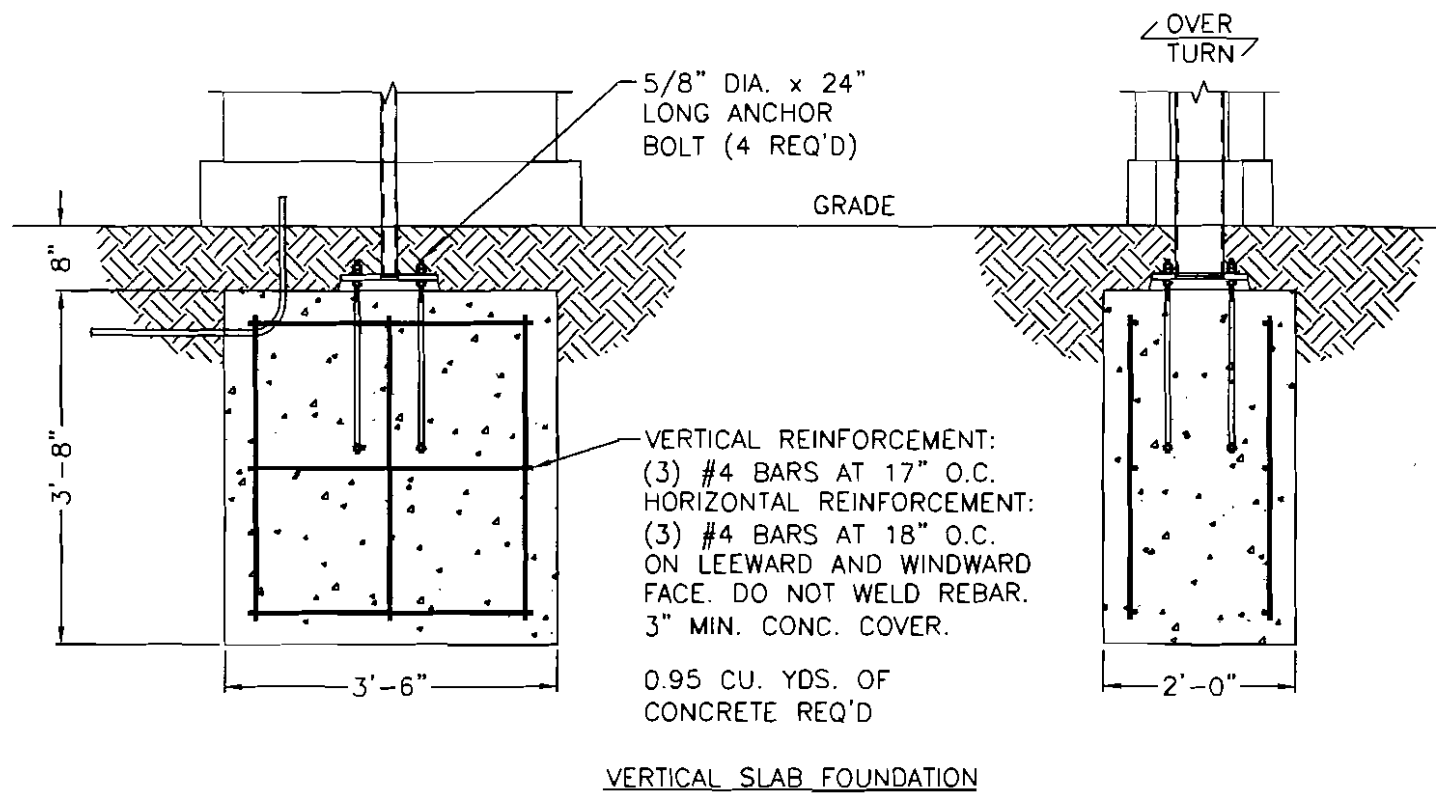
CLIENT:
 **COLITE**
INTERNATIONAL LTD.
5 TECHNOLOGY CIRCLE
COLUMBIA, SC 29203
PHONE: (803) 926-7925

GREGORY A. CAMPBELL, P.E.

9051 Executive Park Dr.-Ste. 200 • Knoxville, Tennessee • 37923
(865) 539-4001 • fax:(865) 539-0851

SHT.	1	BY:	HMA	Project Number:	10-0388R
OF	3	DATE:	05/25/10	Drawing Number:	B139392

Handwritten signature and date: 5-26-10




NOTES:

1. Design is based on 100 mph 3 sec gust design wind speed per IBC 2003. Exposure C.
2. Foundation is based on a safe lateral soil bearing pressure minimum of 300 psf per foot of depth. Soil report was not furnished. Allowable bearing pressure should be verified prior to placement of concrete. Do not place foundation in fill.
3. Concrete shall be mixed to attain a minimum compressive strength of 3000 psi in 28 days.
4. Support member shall be free from defects and shall meet ASTM A500 grade B with a minimum yield strength of 46000 psi for tube. Plate and angle shall meet ASTM A36.
5. Structural bolts shall be galvanized A307 unless otherwise noted.
6. Welds shall be made with E70xx electrodes by persons qualified in accordance with AWS standards within the past two years.
7. Steel reinforcing bars shall conform to ASTM 615 grade 60 with deformations in accordance with ASTM A-305. Welding of reinforcing bars is prohibited.
8. This design is intended to be installed at the address shown below and should not be used at other locations unless deemed suitable by a competent Professional Engineer.

NOTE: All designs and plans indicated on this drawing are the sole property of GREGORY A. CAMPBELL, P.E., created specifically for the noted project. Use of these designs or plans for any purpose other than the intended application shall be prohibited without the written consent of GREGORY A. CAMPBELL, P.E. Disclosure of any of the information enclosed within, without consent of owner, is a violation of intellectual property and shall not be tolerated.

Gregory A. Campbell
5-26-10

INSTALLATION ADDRESS:
HOLIDAY INN
88 SPRING ST
PORTLAND, ME 04101

CLIENT:
 **COLITE**
INTERNATIONAL LTD.
5 TECHNOLOGY CIRCLE
COLUMBIA, SC 29203
PHONE: (803) 926-7926

GREGORY A. CAMPBELL, P.E.
9051 Executive Park Dr., Ste. 200 • Knoxville, Tennessee • 37923
(865) 539-4001 • fax:(865) 539-0851

SHT.	2	BY:	HMA	Project Number:	10-0388R
OF	3	DATE:	05/25/10	Drawing Number:	B139392

PROJECT# 10-0388R
 May 25, 2010
 DRAWING# B13932
 WINDLOAD 24.24 RSF
 WINDSPEED 100 MPH
 #COLUMNS 1 ISC 2003
 ENGINEER HMA

OWNER HOLIDAY INN
 88 SPRING ST
 PORTLAND, ME 04101

CLIENT COLITE INTERNATIONAL LTD
 5 TECHNOLOGY CIRCLE
 COLUMBIA, SC

ITEM	HEIGHT	WIDTH	SHAPE FACTOR	CENTROID		TOTAL		moment base	centroid	new moment
				HEIGHT	AREA	FORCE	MOMENT			
SIGN	0.633	2.583	1.000	0.468	2.153	0.052	0.024			
SIGN	3.953	6.292	1.000	1.971	22.545	0.569	1.288			
CLADDING	1.800	4.000	1.000	0.825	8.000	0.744	2.306			
BASE	0.917	3.500	1.000	0.504	3.208	0.822	3.027			
BASE COVER	0.657	4.000	1.000	0.357	2.857	0.857	3.999			
SUBGRADE	0.657			0.333	0.000	0.857	4.190	4.073	4.994	4.405
CAH	7.500									

COLUMN STRESSES (CODES PHRF OR OTHER TUBES)

ITEM	MOMENT	Six RECD	COLUMN DEPTH	COLUMN WALL	bx COLUMN	Six COLUMN	ACTUAL STRESS	ALLOWABLE STRESS
T SIGN	0.024	0.009	6'0"	0.188	10.5	3.49	0.082	30.360
T SIGN	1.288	0.509	6'0"	0.188	10.5	3.49	4.429	30.360
T CLADDING	2.306	0.911	6'0"	0.188	10.5	3.49	7.929	30.360
T BASE	3.027	1.197	6'0"	0.188	10.5	3.49	10.409	30.360
T BASE COVER	3.999	1.422	6'0"	0.188	10.5	3.49	12.374	30.360
T SUBGRADE	4.405	1.741	6'0"	0.188	10.5	3.49	15.149	30.360

BOLT CALCULATIONS

ITEM	MOMENT	BOLT SPACING	BOLTS FLATE	TENSION BOLT	BOLT DIAM	ALLOW STRESS	ALLOWABLE TENSION
BASEFL	4.405	8.000	4.000	3.304	0.825	19.100	5.860

PLATE CALCULATIONS

ITEM	TENSION BOLT	MOMENT ARM	MOMENT FLATE	PLATE WIDTH	PLATE DEPTH	PLATE THICK	MINIMUM THICK
BASEFL	3.304	3.250	10.738	5.638	12.000	0.750	0.634

ANCHOR BOLT PROJECTION 3.875
 ANCHOR EMBEDMENT 10.517
 ANCHOR BOLT MIN LENGTH 15.000
 USE 2" LONG


VERTICAL SLAB
 MOMENT 4.405 FT-KIP
 FORCE 0.857 KIP
 REFERENCE: IBC 1805.7.2 & TABLE 1804.2
 ASSUME SOIL CLASS: SM, SV, SP, SM, SC, GM & GC
 LATERAL BEARING PRESSURE - PSF/FT OF DEPTH
 S1 150.0
 SLAB DEPTH (d) 3.657 FT.
 SLAB WIDTH (b) 3.500 FT.
 SLAB THICKNESS 2.000 FT.
 AVERAGE HEIGHT (h) 4.999 FT.
 A = 2.34 * FORCE / (S1 * b) 1.403
 CALCULATED DEPTH 3.247 FT.
 MINIMUM THICKNESS WITHOUT REBAR 8.238 IN.
 SQR((M * 12 * 6 * 1.7 * 75) / (178 * 1.2 * WIDTH))
 ACTUAL THICKNESS 24.000 IN.
 CONCRETE 0.951 CU YD
 EXCAVATION 0.951 CU YD

CAISSON
 MOMENT 4.405 FT-KIP
 FORCE 0.857 KIP
 REFERENCE: IBC 1805.7.2 & TABLE 1804.2
 ASSUME SOIL CLASS: SM, SV, SP, SM, SC, GM & GC
 LATERAL BEARING PRESSURE - PSF/FT OF DEPTH
 S1 150.0
 DEPTH 4.750 FT.
 DIAMETER 2.000 FT.
 4.999 FT.
 2.184 FT.
 4.700 FT.
 MINIMUM THICKNESS WITHOUT REINFORCEMENT 18.948 IN.
 ACTUAL DIAMETER 24.000 IN.
 CONCRETE 0.563 CU YD
 EXCAVATION 0.563 CU YD

NOTE: All designs and plans indicated on this drawing are the sole property of GREGORY A. CAMPBELL, P.E., created specifically for the noted project. Use of these designs or plans for any purpose other than the intended application shall be prohibited without the written consent of GREGORY A. CAMPBELL, P.E. Disclosure of any of the information enclosed herein, without consent of owner, is a violation of intellectual property and shall not be tolerated.

Gregory A. Campbell
 5/26/10

INSTALLATION ADDRESS:
 HOLIDAY INN
 88 SPRING ST
 PORTLAND, ME 04101

CLIENT:

COLITE INTERNATIONAL LTD.
 5 TECHNOLOGY CIRCLE
 COLUMBIA, SC 29203
 PHONE: (803) 926-7925

GREGORY A. CAMPBELL, P.E.
 9051 Executive Park Dr. - Ste. 200 • Knoxville, Tennessee • 37923
 (865) 539-4001 • fax: (865) 539-0851

SHT. 3	BY: HMA	Project Number: 10-0388R
OF 3	DATE: 05/25/10	Drawing Number: B139392