

|                   |       |
|-------------------|-------|
| Job Name:         | Date: |
| System Reference: |       |



Indoor Unit: MSZ-FH18NA2



Wireless Remote Controller

### SPECIFICATIONS:

| Rated Capacity*               |           |        |
|-------------------------------|-----------|--------|
| Cooling <sup>1</sup>          | Btu/h / W | 17,200 |
| Heating at 47° F <sup>2</sup> | Btu/h / W | 20,300 |

Rating Conditions per AHRI Standard:

<sup>1</sup> Cooling | Indoor: 80° F (27° C)DB / 67° F (19° C)WB; Outdoor: 95° F (35° C)DB / 75° F (24° C)WB

<sup>2</sup> Heating at 47° F | Indoor: 70° F (21° C)DB / 60° F (16° C)WB; Outdoor: 47° F (8° C)DB / 43° F (6° C)WB

For data on specific indoor units (all ducted, all non-ducted, and both ducted and non-ducted) combinations, see the MXZ Technical and Service Manual.

Applications should be restricted to comfort cooling only; equipment cooling applications are not recommended for low ambient temperature conditions.

| Electrical Power Requirements | 208 / 230V, 1-Phase, 60 Hz |  |
|-------------------------------|----------------------------|--|
|-------------------------------|----------------------------|--|

| Minimum Circuit Ampacity (MCA) | A | 1 |
|--------------------------------|---|---|
|--------------------------------|---|---|

| Blower Motor (ECM) | F.L.A. | 0.67 |
|--------------------|--------|------|
|--------------------|--------|------|

| Blower Motor Output | W | 30 |
|---------------------|---|----|
|---------------------|---|----|

| Field Drainpipe Size O.D. | In.(mm) | 5/8 (15) |
|---------------------------|---------|----------|
|---------------------------|---------|----------|

| Airflow Rate (Lo - Med - Hi - Super Hi - Powerful) |     |     |                     |
|--|-----|-----|---------------------|
| Cooling  | DRY | CFM | 225-262-304-355-437 |
|  | WET |     | 194-225-261-305-376 |
| Heating  | DRY |     | 201-254-317-394-514 |

| Sound Pressure Level (Lo - Med - Hi - Super Hi - Powerful) |       |                |
|--|-------|----------------|
| Cooling  | dB(A) | 27-31-35-39-44 |
| Heating  |       | 25-29-34-39-46 |

| External Dimensions (H x W x D) | In.(mm) | 12 + 11/16 x 36-7/16 x 9-3/16 (305 +17 x 925 x 234) |
|---------------------------------|---------|---|
|---------------------------------|---------|---|

| Net Weight | Lbs.(kg) | 29 (12) |
|------------|----------|---------|
|------------|----------|---------|

| External Finish | Munsell 1.0Y 9.2 / 0.2 |  |
|-----------------|------------------------|--|
|-----------------|------------------------|--|

| Refrigerant Piping (Flared) |         |            |
|-----------------------------|---------|------------|
| Liquid (High Pressure)      | In.(mm) | 1/4 (6.35) |
| Gas (Low Pressure)          |         | 1/2 (12.7) |

### ACCESSORIES:

#### Indoor Unit

- Condensate Pump (BlueDiamond X87-711/721; 115/230V)
- Condensate Pump (Sauermann SI30-115/230; 115/230V)
- Replacement Platinum Deodorizing Filter (MAC-3000FT-E)
- Replacement Anti-allergy Enzyme Filter (MAC-2330FT-E)

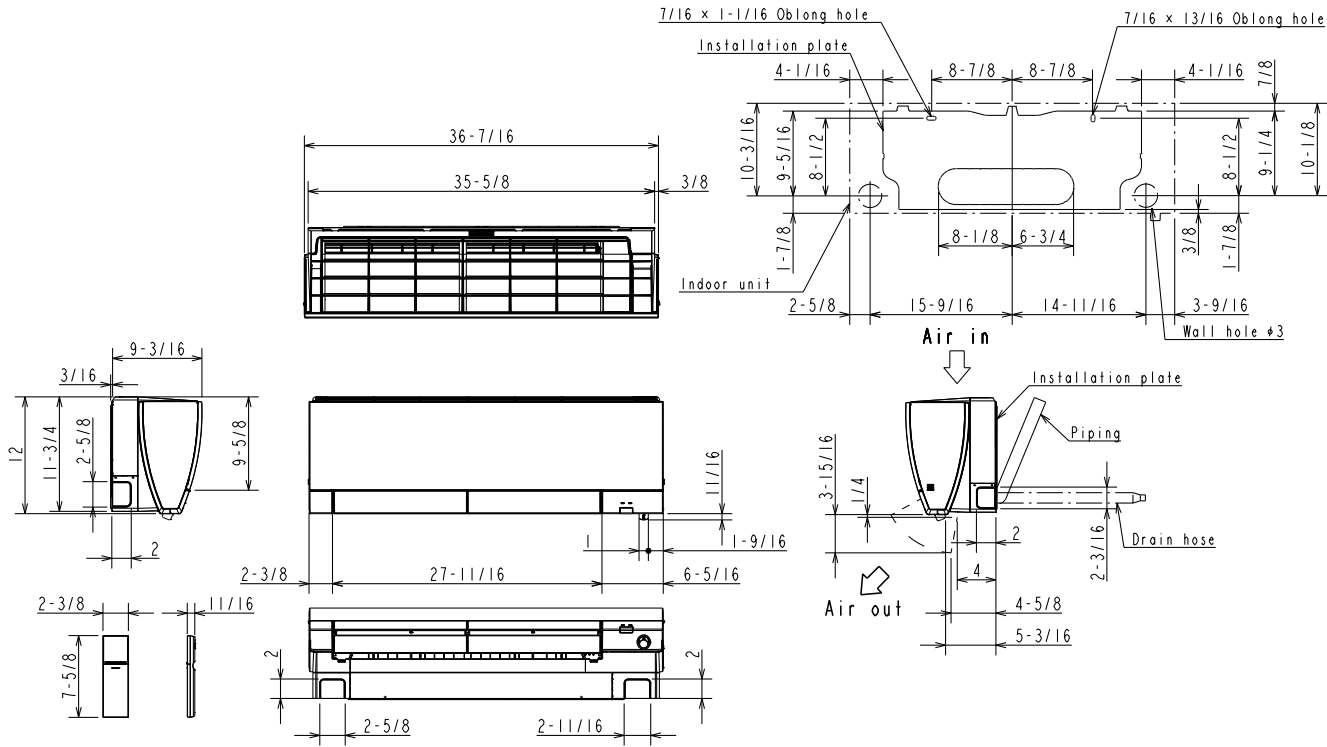
#### Controls

- Wireless Controller (MHK1)
- Wired Remote Controller PAR-31MAA (Requires MAC-333IF-E)
- Wireless Interface for kumo cloud™ (PAC-WHS01WF-E)
- Thermostat Interface (PAC-US444CN-1)

# DIMENSIONS: MSZ-FH18NA2

## MSZ-FH18NA2

Unit: inch



**(MSZ-FH15/18NA/18NA2)**

|            |             |   |
|------------|-------------|---|
| Piping     | Insulation  | $\#1-7/16$ O.D.                               |
|            | Liquid line | $\#1/4$ 19-11/16 (Flared connection $\#1/4$ ) |
|            | Gas line    | $\#3/8$ 16-15/16 (Flared connection $\#1/2$ ) |
| Drain hose | Insulation  | $\#1-1/8$ Connected part $\#5/8$ O.D.         |



COOLING & HEATING

1340 Satellite Boulevard, Suwanee, GA 30024  
Toll Free: 800-433-4822 www.mehvac.com

