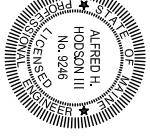


tl-architects  
28 DANFORTH STREET  
SUITE 213  
PORTLAND, MAINE 04101  
TEL. 207.761.9862  
FAX. 207.761.9866

LTC

**RESURGENCE**  
ENGINEERING & PRESERVATION, INC.  
132 BRENTWOOD STREET  
PORTLAND, ME 04103  
207.773.4880

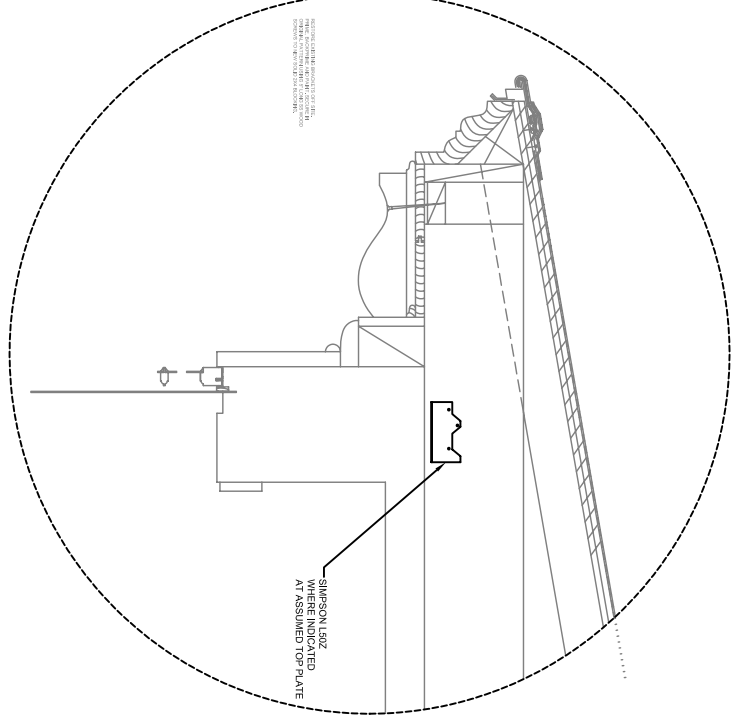


Greater Portland Landmarks  
**Safford House**  
Roof and Eave Restoration  
93 High Street  
Portland, Maine

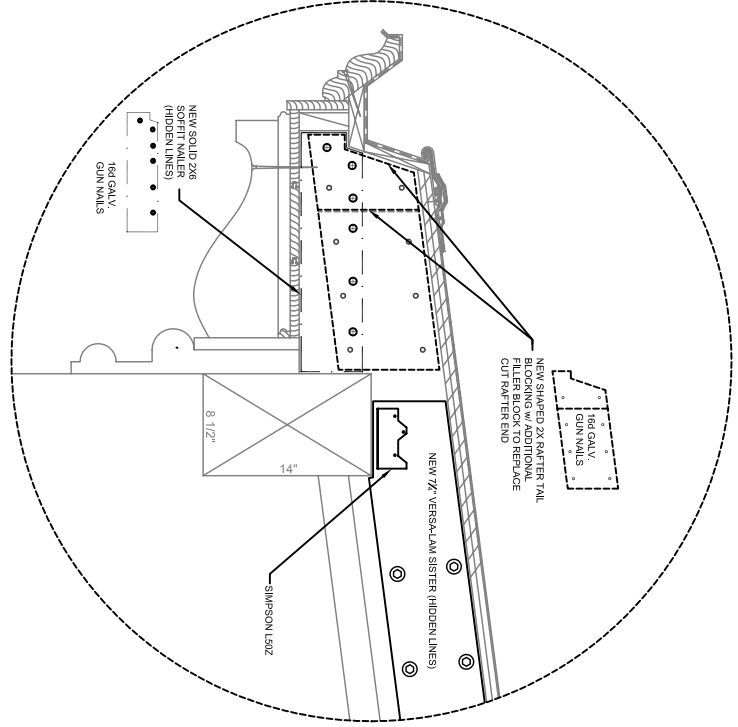
Date: 06 August 2010  
Scale: As Shown  
Revisions:

Title:  
**Structural  
Sections and Details**

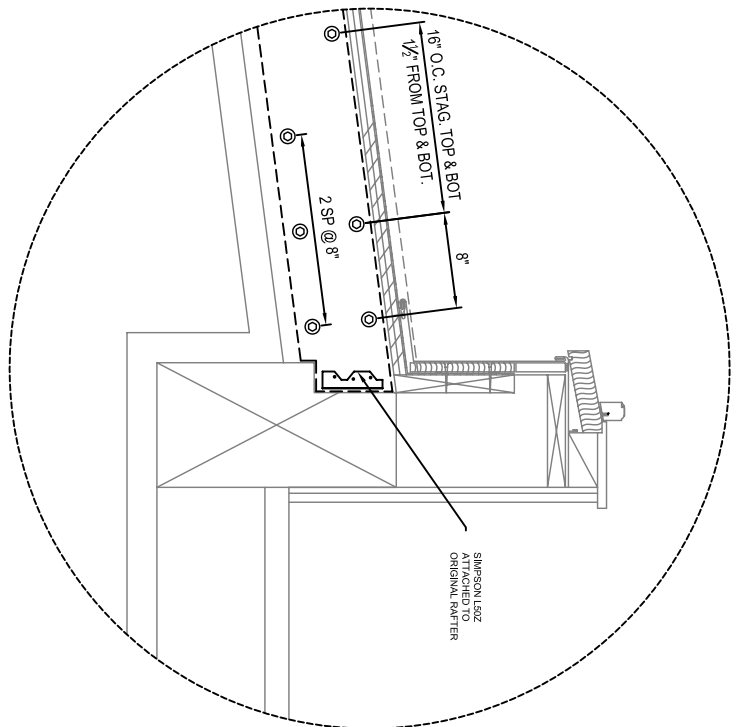
Sheet No.:  
**S-4**



2 SECTION -- BELVEDERE BASE  
1 1/2" = 1'-0"  
S-4



3 SECTION -- EAVE OVERHANG DETAIL  
1 1/2" = 1'-0"  
S-4

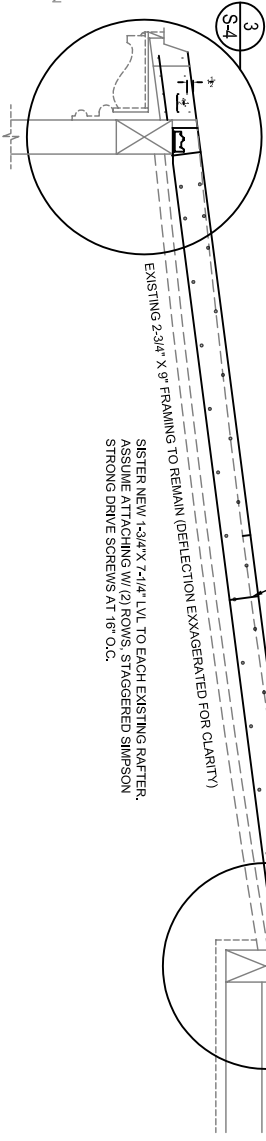


4 BELVEDERE BASE STRUCTURAL REPAIR SECTION  
1 1/2" = 1'-0"  
S-4

- NOTES:
1. TOP LAYER OF MAIN ROOF AND TWO LAYERS OF LOWER ROOF DECKING NOT SHOWN FOR CLARITY.
  2. NOTIFY ENGINEER IF EXISTING RAFTER SAG EXCEEDS ONE INCH.
  3. VACUUM DEBRIS FROM RAFTER CAVITIES AND APPLY BEFORE INSTALLING NEW 2\"/>
  - 4. INSTALL NEW 5/8\"/>

NOTE: TOP LAYER OF MAIN ROOF FRAMING NOT SHOWN FOR CLARITY

NOTE 2



1 SECTION -- MAIN ROOF RAFTER SISTERING  
1 1/2" = 1'-0"  
S-4

REMOVE APPROX. 8\"/>

REMOVE EXISTING WOOD TRIM, S&V, V&G AND EPOXY REPAIR BRACKETS (ASSUME TO NEW REPLICA BRACKETS). INSTALL NEW REPLICA CROWN MOULDING AND 1X SOFTWOOD BOARDS. PAINT

REMOVE APPROX. 8\"/>

REMOVE EXISTING WOOD TRIM, S&V, V&G AND EPOXY REPAIR BRACKETS (ASSUME TO NEW REPLICA BRACKETS). INSTALL NEW REPLICA CROWN MOULDING AND 1X SOFTWOOD BOARDS. PAINT

REMOVE APPROX. 8\"/>

REMOVE EXISTING WOOD TRIM, S&V, V&G AND EPOXY REPAIR BRACKETS (ASSUME TO NEW REPLICA BRACKETS). INSTALL NEW REPLICA CROWN MOULDING AND 1X SOFTWOOD BOARDS. PAINT