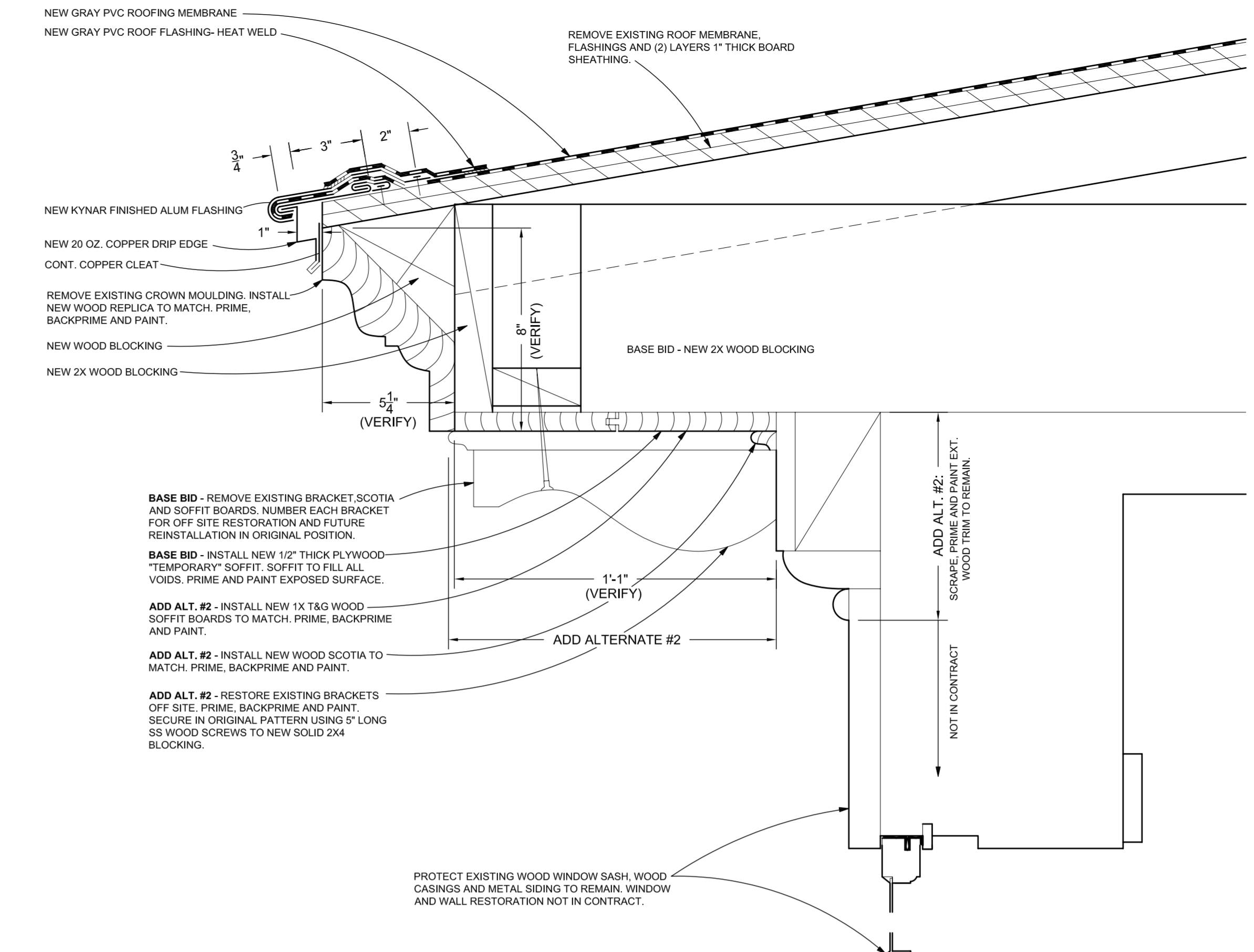
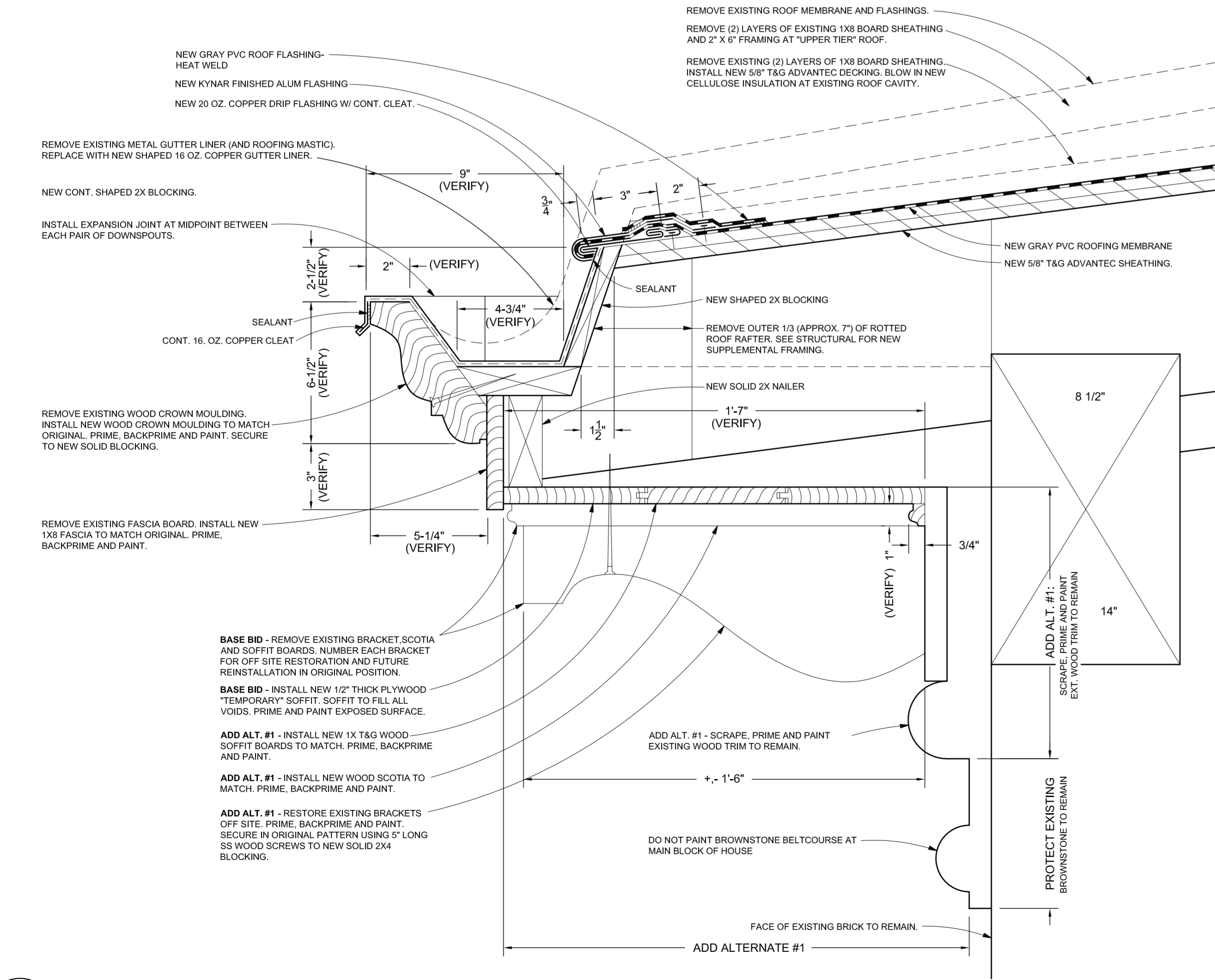


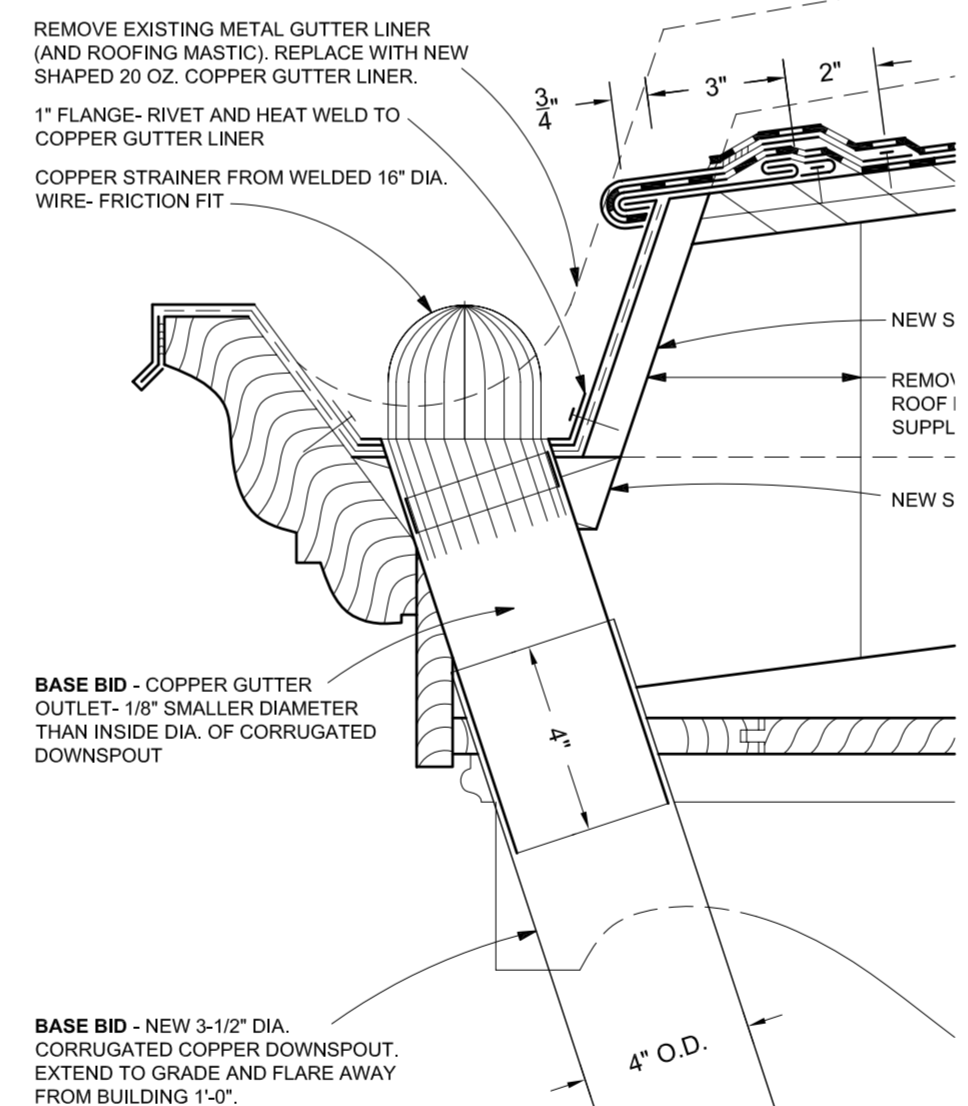
1 BUILDING SECTION AT ROOFLINE
 1/2" = 1'-0"



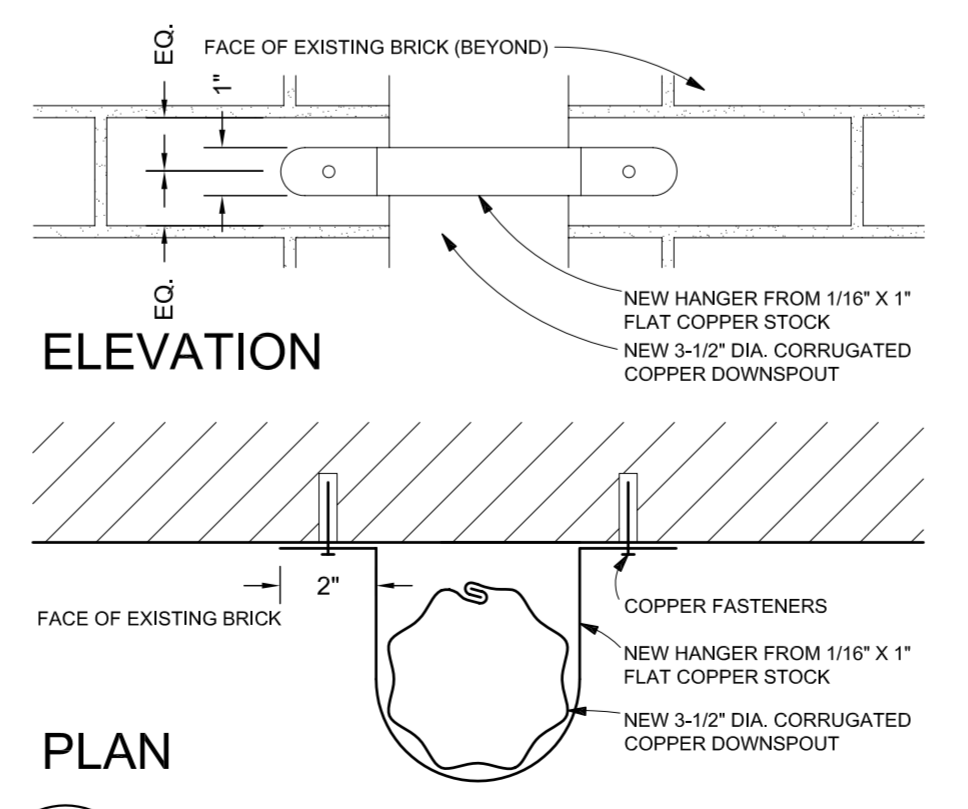
2 SECTION DETAIL AT BELVEDERE EAVE
 3" = 1'-0"



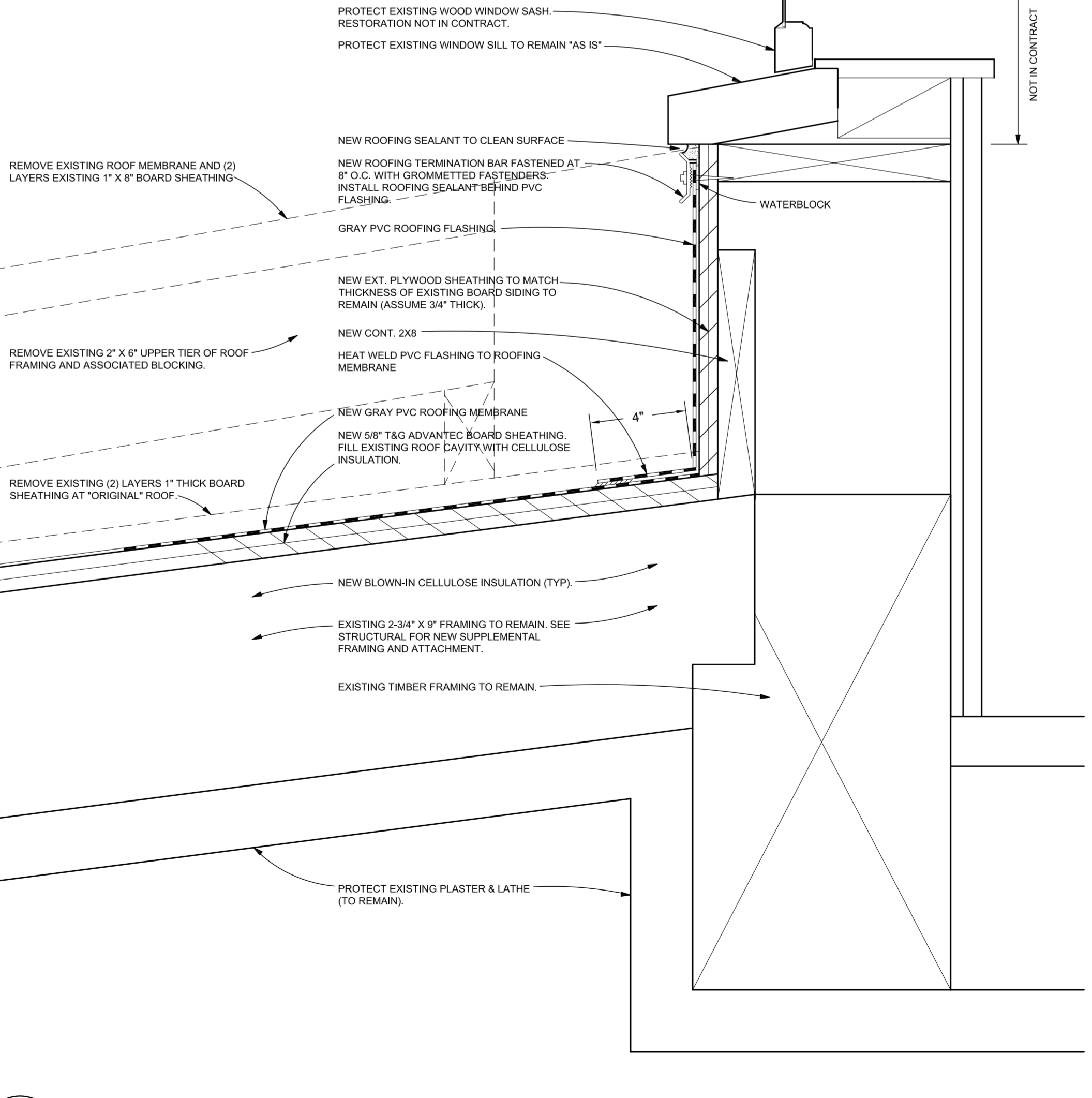
3 SECTION DETAIL AT MAIN EAVE
 3" = 1'-0"



4a SECTION AT DOWNSPOUT
 3" = 1'-0"



4b DOWNSPOUT HANGER
 3" = 1'-0"



5 SECTION DETAIL AT BELVEDERE BASE
 3" = 1'-0"