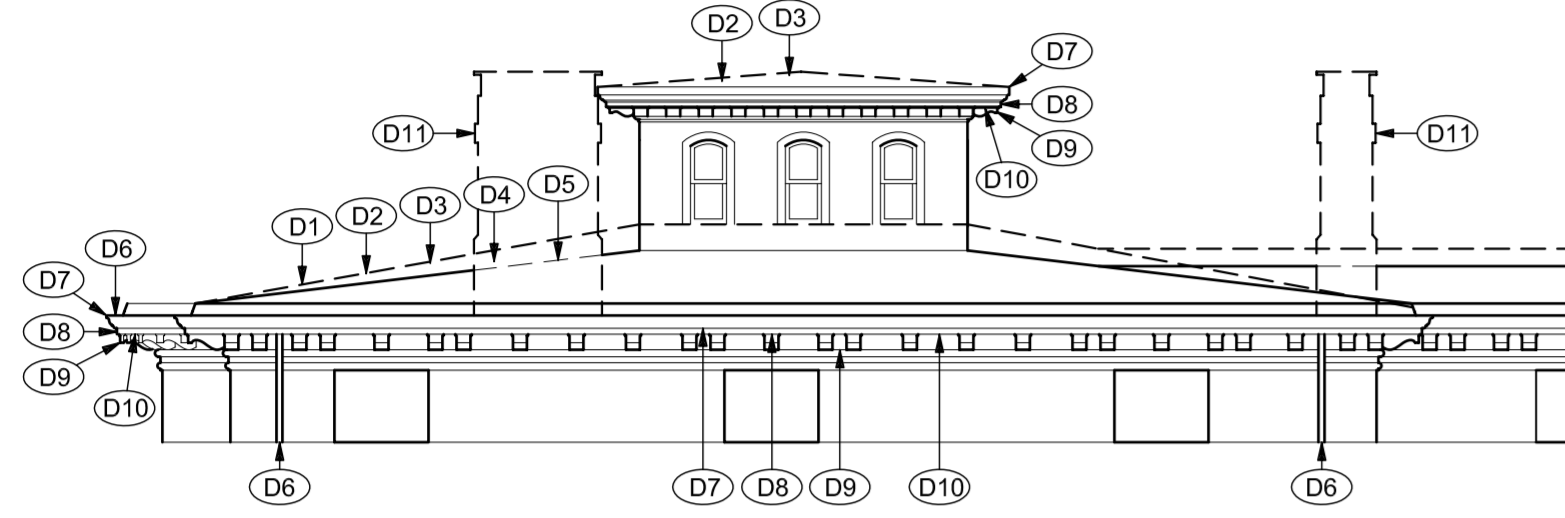
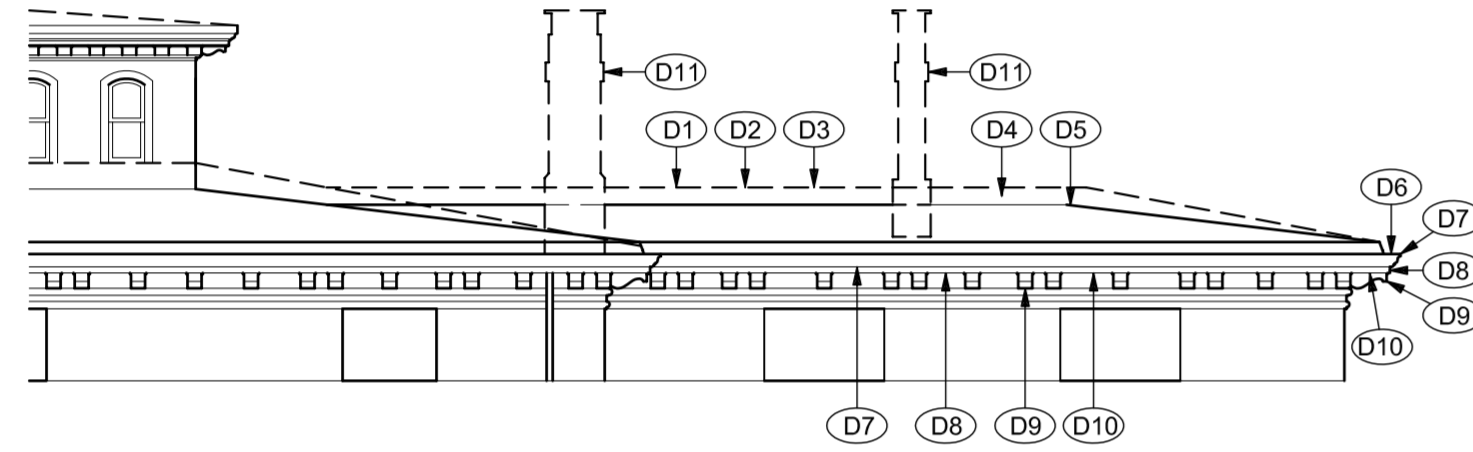


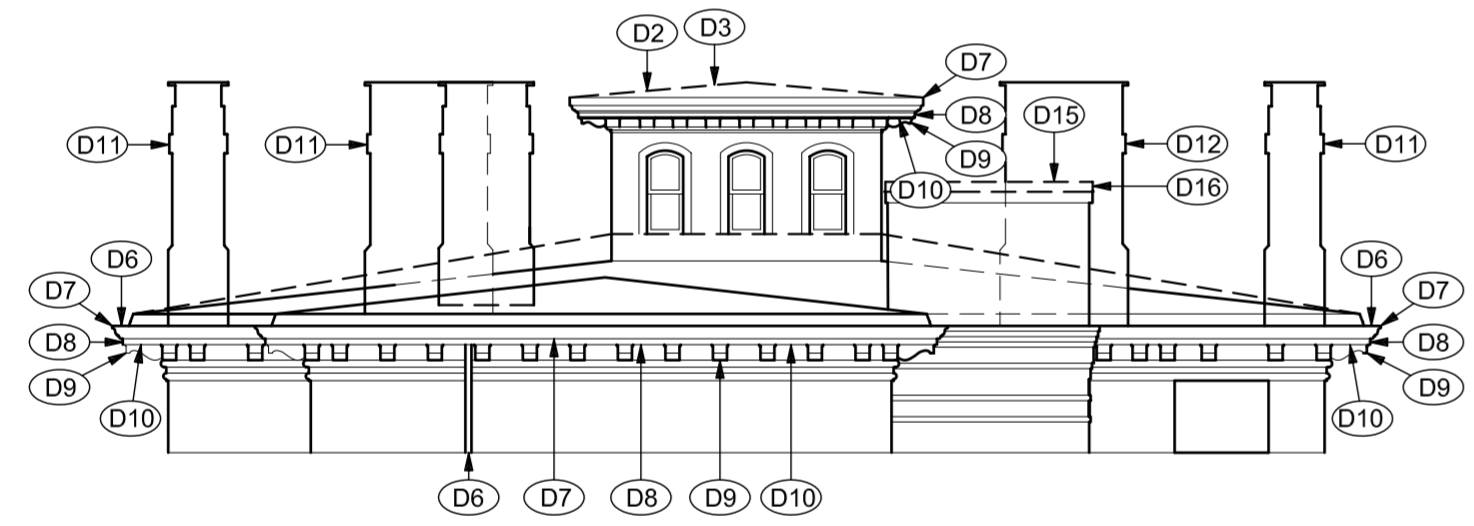
1 WEST ELEVATION DEMO
A-2 1/8" = 1'-0"



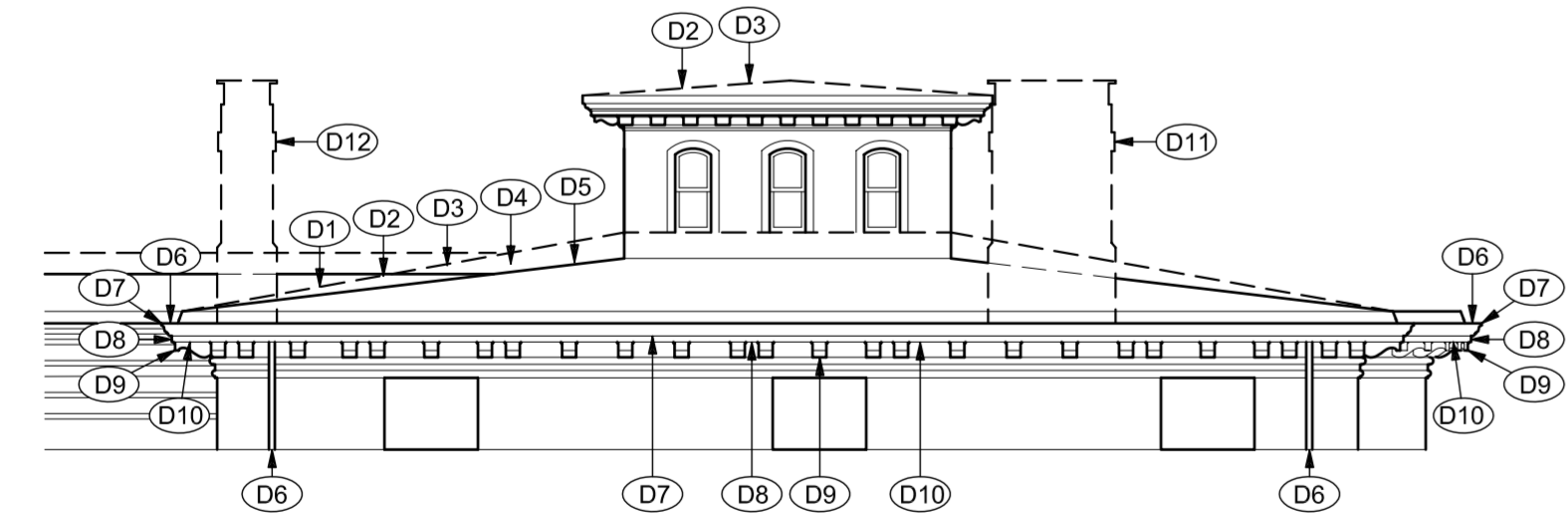
2 SOUTH ELEVATION DEMO
A-2 1/8" = 1'-0"



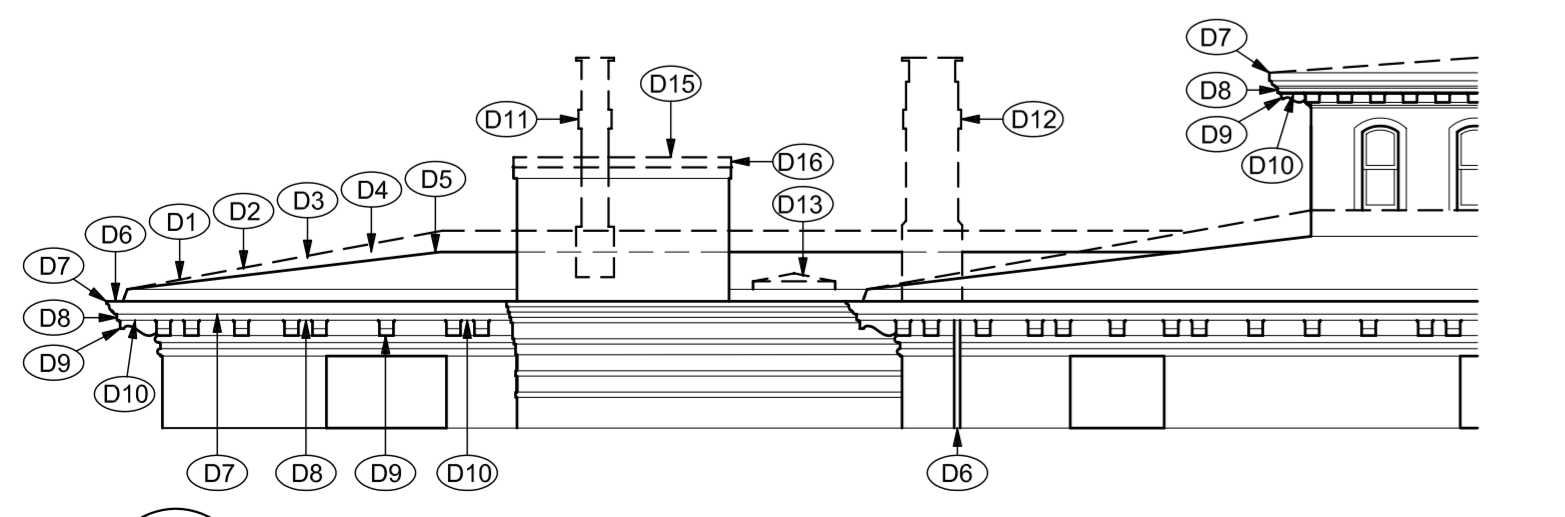
3 SOUTH ELEVATION DEMO
A-2 1/8" = 1'-0"



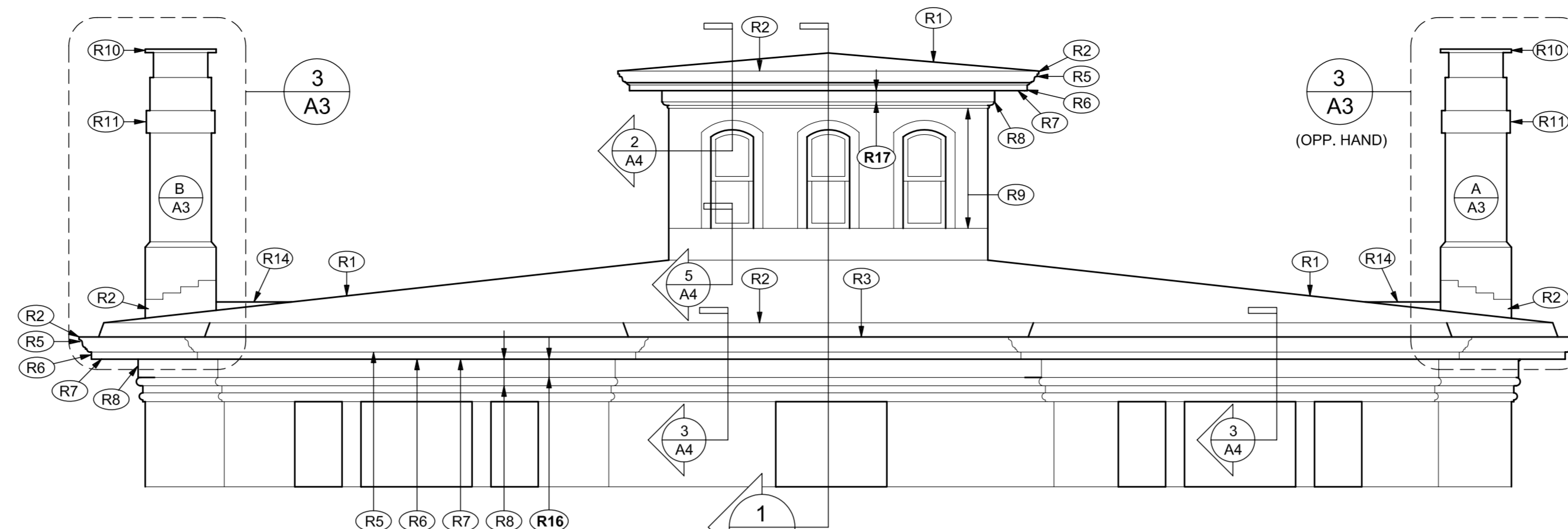
4 EAST ELEVATION DEMO
A-2 1/8" = 1'-0"



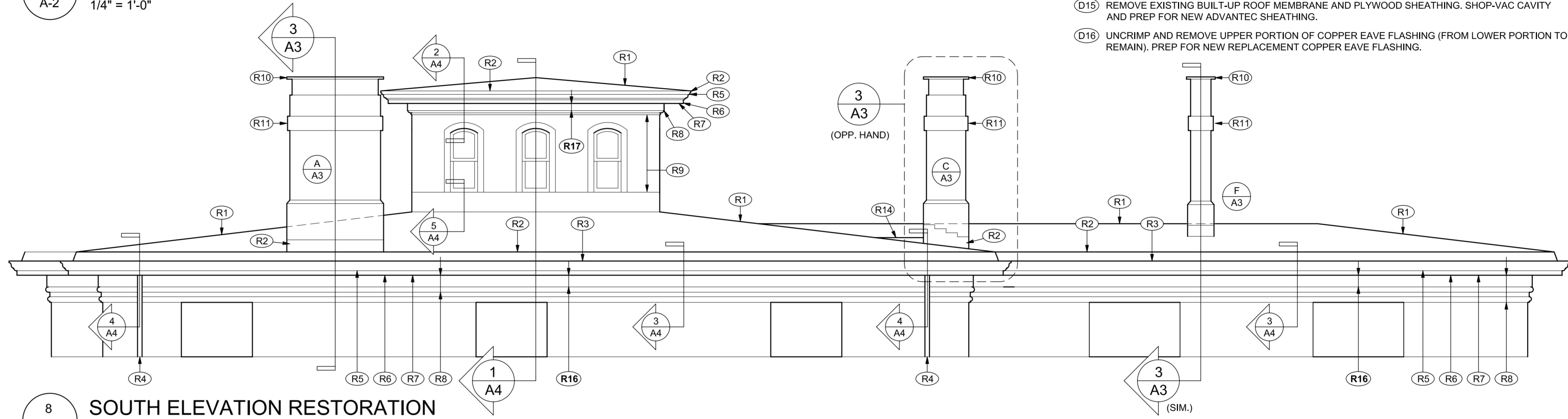
5 NORTH ELEVATION DEMO
A-2 1/8" = 1'-0"



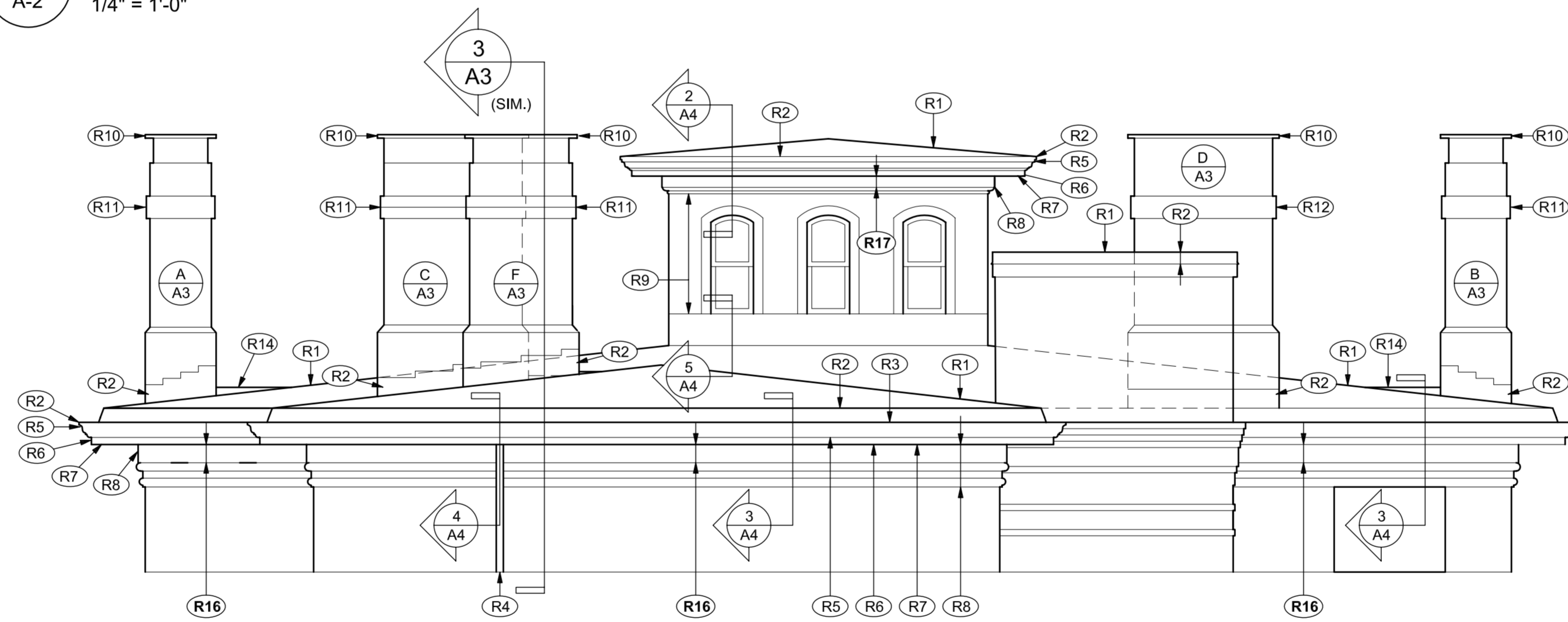
6 NORTH ELEVATION DEMO
A-2 1/8" = 1'-0"



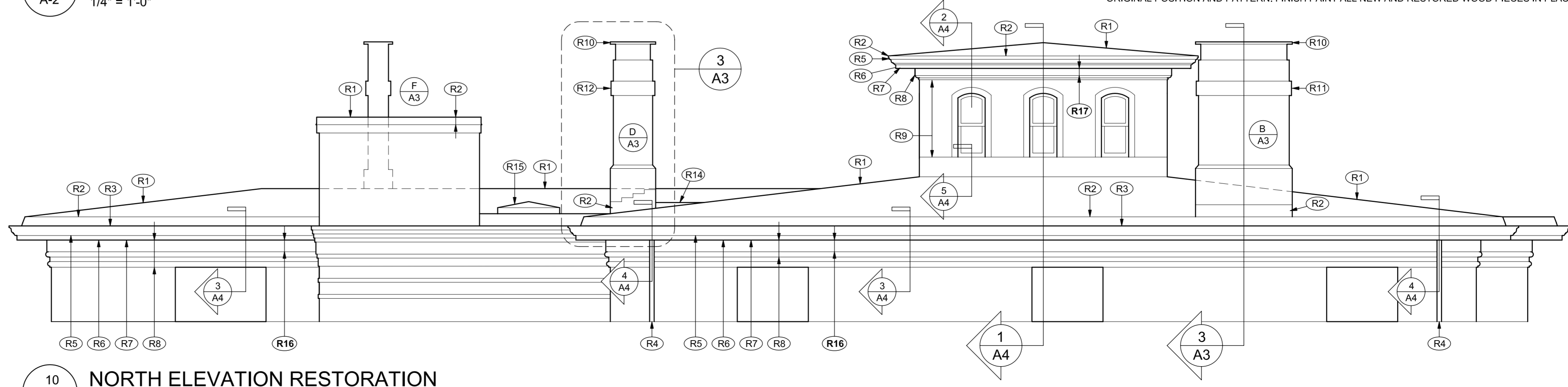
7 WEST ELEVATION RESTORATION
A-2 1/4" = 1'-0"



8 SOUTH ELEVATION RESTORATION
A-2 1/4" = 1'-0"



9 EAST ELEVATION RESTORATION
A-2 1/4" = 1'-0"



10 NORTH ELEVATION RESTORATION
A-2 1/4" = 1'-0"

DEMO KEY

- D1 ASBESTOS CONTAINING ROOFING MASTIC TO BE REMOVED BY OTHERS. GC TO COORDINATE SEQUENCING.
- D2 REMOVE ALL EXISTING ROOFING MEMBRANES AT UPPER TIER ROOF.
- D3 REMOVE EXISTING TWO LAYERS OF 1" THICK BOARD SHEATHING AT UPPER TIER ROOF.
- D4 REMOVE EXISTING 2-3/4" X 9" ROOF RAFTERS (AT APPROX. 19" O.C.) AT UPPER TIER ROOF.
- D5 REMOVE EXISTING TWO LAYERS OF 1" THICK BOARD SHEATHING AT LOWER TIER ROOF. SHOP-VAC CAVITY BETWEEN RAFTERS. PREP FOR NEW INSULATION & 5/8" ADVANTEC SHEATHING.
- D6 REMOVE EXISTING METAL GUTTER LINER, DOWNSPOUTS AND DOWNSPOUT HANGERS.
- D7 REMOVE EXISTING CORNICE MOULDING. PREP FOR INSTALLATION OF NEW REPLICA CORNICE.
- D8 REMOVE EXISTING WOOD FASCIA. PREP FOR INSTALLATION OF NEW REPLICA FASCIA.
- D9 REMOVE AND NUMBER EXISTING ORNAMENTAL BRACKETS. STORE OFF SITE FOR FUTURE SHOP RESTORATION AND INSTALLATION IN ORIGINAL POSITION.
- D10 REMOVE EXISTING WOOD SOFFIT BOARDS. EXAMINE EXISTING RAFTER TIPS WITH ARCHITECT. REMOVE ALL ROT AT RAFTER TIPS AND ALL WOOD BLOCKING PIECES. PREP FOR NEW 2X RAFTER EXTENSIONS AS REQUIRED. PREP FOR NEW BLOCKING PIECES AND FOR INSTALLATION OF NEW TEMPORARY PLYWOOD SOFFIT.
- D11 DISMANTLE EXISTING BRICK CHIMNEY. SALVAGE AS MUCH BRICK AS POSSIBLE FOR REUSE. PREP FOR RECONSTRUCTION OF STACK TO HISTORIC CONFIGURATION.
- D12 DISMANTLE EXISTING BRICK CHIMNEY. SALVAGE AS MUCH BRICK AS POSSIBLE FOR REUSE. PROTECT AND SALVAGE EXISTING BOILER FLUE LINER. PREP FOR RECONSTRUCTION OF STACK TO HISTORIC CONFIGURATION.
- D13 REMOVE EXISTING SKYLIGHT LENS. SALVAGE WOOD CURB FOR REUSE.
- D14 REMOVE EXISTING COPPER PAN FLASHING. PREP FOR NEW PVC MEMBRANE ROOFING.
- D15 REMOVE EXISTING BUILT-UP ROOF MEMBRANE AND PLYWOOD SHEATHING. SHOP-VAC CAVITY AND PREP FOR NEW ADVANTEC SHEATHING.
- D16 UNCRIMP AND REMOVE UPPER PORTION OF COPPER EAVE FLASHING (FROM LOWER PORTION TO REMAIN). PREP FOR NEW REPLACEMENT COPPER EAVE FLASHING.

RESTORATION KEY

- R1 NEW FULLY ADHERED GRAY PVC ROOF MEMBRANE SYSTEM.
- R2 NEW 20 OZ. COPPER FLASHINGS.
- R3 NEW 20 OZ. COPPER GUTTER LINER.
- R4 NEW 3-1/2" DIAMETER, CORRUGATED 16 OZ. COPPER DOWNSPOUT WITH 1/16" THICK COPPER HANGERS AT 10' VERTICAL. EXTEND DOWNSPOUT APPROX. 42 FEET TO GRADE AND FLARE AWAY FROM BUILDING 10'.
- R5 NEW WOOD CROWN MOULDING TO MATCH ORIGINAL. PRIME, BACKPRIME AND PAINT.
- R6 NEW WOOD FASCIA BOARD TO MATCH ORIGINAL. PRIME, BACKPRIME AND PAINT.
- R7 BASE BID: NEW TEMPORARY 1/2" PLYWOOD SOFFIT. PRIME AND PAINT EXPOSED SURFACE.
- R8 SCRAPE PRIME AND PAINT EXISTING FASCIA BOARD AND TRIM TO REMAIN.
- R9 EXISTING METAL SIDING, WOOD WINDOW SASH AND WOOD WINDOW TRIM TO REMAIN "AS IS".
- R10 NEW 2-1/2" THICK BLACK SLATE CHIMNEY CAP
- R11 NEW RECONSTRUCTED BRICK CHIMNEY STACK WITH LEAD FLASHINGS.
- R12 NEW RECONSTRUCTED BRICK CHIMNEY STACK WITH LEAD FLASHINGS. ASSUME REUSE OF EXISTING BOILER FLUE LINER TO REMAIN.
- R13 EXISTING THROUGH ROOF PENETRATION TO BE SALVAGED. REMOVE RUST, PRIME, PAINT AND FLASH.
- R14 NEW CRICKET AT UPHILL SIDE OF RECONSTRUCTED CHIMNEY.
- R15 NEW NANOGEL SKYLIGHT. MOUNT AND FLASH TO EXISTING CURB.
- R16 ADD ALT. #1 MAIN EAVE. RESTORE WOOD BRACKETS OFF SITE. ASSUME TWELVE (12) REPLACEMENT BRACKETS TO MATCH ORIGINAL. FABRICATE NEW 1X T&G SOFFIT BOARDS AND BRACKET TRIM. PRIME AND BACKPRIME ALL PIECES IN SHOP. INSTALL SOFFIT, BRACKETS AND TRIM IN ORIGINAL POSITION AND PATTERN. FINISH PAINT ALL NEW AND RESTORED WOOD PIECES IN PLACE.
- R17 ADD ALT. #2 BELVEDERE EAVE. RESTORE WOOD BRACKETS OFF SITE. ASSUME EIGHT (8) REPLACEMENT BRACKETS TO MATCH ORIGINAL. FABRICATE NEW 1X T&G SOFFIT BOARDS AND BRACKET TRIM. PRIME AND BACKPRIME ALL PIECES IN SHOP. INSTALL SOFFIT, BRACKETS AND TRIM IN ORIGINAL POSITION AND PATTERN. FINISH PAINT ALL NEW AND RESTORED WOOD PIECES IN PLACE.

ttl-architects LLC
28 DANFORTH STREET
SUITE 213
PORTLAND, MAINE 04101
TEL. 207.761.9662
FAX. 207.761.9696

REGISTERED ARCHITECT
JOHN TURK
No. 2059
STATE OF MAINE

RESURGENCE
ENGINEERING & PRESERVATION, INC.
132 BRENTWOOD STREET
PORTLAND, ME 04103
207.773.4880

ALFRED H. HOODSON III
No. 9246
LICENSED ENGINEER

Greater Portland Landmarks
Safford House
Roof and Eave Restoration
93 High Street
Portland, Maine

Date: 6 August 2010
Scale: As Shown
Revisions:

Title:
Demo Elevations & Restoration Elevations
Sheet No: **A-2**