



Greater Portland Landmarks LG Water Source VRF Submittal

11/30/2011

Prepared by:

Jeff Charette - Trane

Prepared for :

Titan Mechanical



- Table of contents

1. Building - Load Output
2. Model Selection - Summary
3. Model Selection - System(ODU)
4. Model Selection - System(IDU)
5. Model Selection - Tree
6. Model Selection - Diagram
7. Model Selection - Analysis
8. Dimensions



Building - Load Output

1. Project Name :Greater Portland Landmarks

2. Date :11/30/2011

3. Location :Nation(Portland, United States), Long(-), Lat(43.7), Elev(137ft)

4. Design conditions

| | | Cooling | Heating |
|---------|------------|---------|---------|
| Outdoor | DB Temp[F] | 87.1 | -6.0 |
| | WB Temp[F] | 72.0 | -6.6 |
| | RH[%] | 48 | 86 |
| Indoor | DB Temp[F] | 80.6 | 68.0 |
| | WB Temp[F] | 67.1 | 56.8 |
| | RH[%] | 50 | 50 |



Model Selection - Summary

Project Name :Greater Portland Landmarks

1. Outdoor Units

| Model Name | Quantity | Description |
|--------------|----------|--|
| ARWB288BA2 | 1 | 288Mbh/60Hz/R410A/Heat Pump/Water II/Heat Recovery/N.America |
| | | |
| | | |
| Total | 1 | |

2. Indoor Units

| Model Name | Quantity | Description |
|--------------|-----------|---|
| ARNU243S5L2 | 1 | Wall Mounted(24MBh) |
| ARNU283BGA2 | 3 | Ceiling Concealed Duct - High Static(28MBh) |
| ARNU243BHA2 | 2 | Ceiling Concealed Duct - High Static(24MBh) |
| ARNU073SEL2 | 1 | Wall Mounted(7MBh) |
| ARNU183BHA2 | 4 | Ceiling Concealed Duct - High Static(18MBh) |
| ARNU243NJA2 | 2 | Vertical AHU |
| | | |
| | | |
| | | |
| Total | 13 | |

3. Pipes

| Index | Dia(Liq:Gas,in) | Length(ft) |
|-------|-------------------|------------|
| P31 | 3/4 : 1+3/8:1+5/8 | 12 |
| P22 | 3/8 : 3/4:7/8 | 7 |
| P1 | 3/8 : 5/8 | 113 |
| P24 | 5/8 : 1+1/8:1+1/8 | 10 |
| P21 | 3/8 : 1/2:5/8 | 5 |
| P0 | 1/4 : 1/2 | 82 |
| P23 | 1/2 : 7/8:1+1/8 | 32 |
| P27 | 3/8 : 5/8:3/4 | 12 |

4. Branch/Header/Common pipe

| Model Name | Quantity |
|------------|----------|
| ARBLB14521 | 1 |
| ARBLB07121 | 1 |
| ARBLB03321 | 1 |
| ARCNB20 | 1 |
| PRHR040A | 2 |
| PRHR020A | 1 |
| PRHR030A | 1 |
| | |

5. Accessories

| Index | Model Name | Quantity | Description |
|-------|------------|----------|-------------|
| | | | |



Model Selection - Summary

| | | | |
|-----|-------------|----|---------------------------------------|
| ODU | PQCSW320A0E | 1 | AC Smart(Control all indoor units) |
| IDU | PQRCVCL0Q | 13 | Simple Wired Remote with mode (black) |
| | | | |



Model Selection - System 1

Project Name : Greater Portland Landmarks

12/01/2011

System No : 1/1

1. Design conditions

| Summer | | | | | Winter | | | | |
|--------|-------|-------|-------------------|------|--------|-------|-------|-------------------|------|
| Indoor | | | Inlet Water Info. | | Indoor | | | Inlet Water Info. | |
| DB(F) | WB(F) | RH(%) | Temp(F) | GPM | DB(F) | WB(F) | RH(%) | Temp(F) | GPM |
| 80.6 | 67.1 | 50 | 86.0 | 84.5 | 68.0 | 56.8 | 50 | 68.0 | 84.5 |

2. Outdoor

| Model Name | Outlet Water Temp (Cooling/Heating) | Max total over load(kBtu/h/%) | Indoors/Outdoor Ratio | Product charge(lbs) | Add. Ref. Amount(lbs) |
|------------|-------------------------------------|-------------------------------|-----------------------|---------------------|-----------------------|
| ARWB288BA2 | 94.2/61.8 | 375.8(130%) | 1.00:1 | 38.80 | 30.31 |

| Rated Capa/Corrected Capa(kBtu/h) | | Rated Power Input/Corrected Power Input(kW) | |
|-----------------------------------|-------------|---|-----------|
| Cooling | Heating | Cooling | Heating |
| 288.0/276.0 | 324.0/313.7 | 17.6/17.7 | 18.3/18.3 |

3. Pipes

| Index | Dia(Liq:Gas,in) | Length(ft) |
|-------|-------------------|------------|
| P31 | 3/4 : 1+3/8:1+5/8 | 12.0 |
| P22 | 3/8 : 3/4:7/8 | 7.0 |
| P1 | 3/8 : 5/8 | 113.0 |
| P24 | 5/8 : 1+1/8:1+1/8 | 10.0 |
| P21 | 3/8 : 1/2:5/8 | 5.0 |
| P0 | 1/4 : 1/2 | 82.0 |
| P23 | 1/2 : 7/8:1+1/8 | 32.0 |
| P27 | 3/8 : 5/8:3/4 | 12.0 |
| | | |
| | | |
| | | |
| | | |
| | | |
| | | |
| | | |
| | | |
| | | |

4. Branch/Header/Common pipe

| Model Name | Quantity |
|------------|----------|
| ARBLB14521 | 1 |
| ARBLB07121 | 1 |
| ARBLB03321 | 1 |
| ARCNB20 | 1 |
| PRHR040A | 2 |
| PRHR020A | 1 |
| PRHR030A | 1 |
| | |
| | |
| | |
| | |
| | |
| | |
| | |
| | |
| | |
| | |

#Notes : Correction factor compensates Indoor unit Combination, Temperature, Pipe Length Effect etc.
The result can be slightly different from product data book due to simulation.

Model Selection - System 1

Project Name :Greater Portland Landmarks

12/01/2011

System No :1/1

5. Indoors

| Room | Model Name | Type | Rated TC/Corrected TC(kBtu/h) | | |
|------------------|-------------|------------------|-------------------------------|------------------|-----------|
| | | | Cooling Total | Cooling Sensible | Heating |
| Basement/UH-1 | ARNU243SS12 | WALL_MOUNTED | 24.2/23.6 | 16.9/16.7 | 27.3/27.3 |
| Basement/AHU-3 | ARNU283BGA2 | DUCT_HIGH_STATIC | 28.0/27.3 | 19.6/19.9 | 31.5/31.5 |
| Basement/AHU-2 | ARNU243BHA2 | DUCT_HIGH_STATIC | 24.2/23.5 | 16.9/16.8 | 27.3/27.3 |
| Basement/AHU-4 | ARNU283BGA2 | DUCT_HIGH_STATIC | 28.0/27.1 | 19.6/19.7 | 31.5/31.4 |
| Basement/AHU-1 | ARNU073SEL2 | WALL_MOUNTED | 7.5/7.2 | 5.3/5.1 | 8.5/8.3 |
| 1st Floor/AHU-5 | ARNU183BHA2 | DUCT_HIGH_STATIC | 19.1/18.4 | 13.4/13.2 | 21.5/21.2 |
| 2nd Floor/AHU-6 | ARNU243BHA2 | DUCT_HIGH_STATIC | 24.2/23.0 | 16.9/16.4 | 27.3/25.9 |
| 3rd Floor/AHU-10 | ARNU243NJA2 | Vertical AHU | 24.0/22.5 | 16.8/18.2 | 27.0/24.8 |
| 3rd Floor/AHU-11 | ARNU243NJA2 | Vertical AHU | 24.0/22.5 | 16.8/18.2 | 27.0/24.9 |
| 2nd Floor/AHU-8 | ARNU183BHA2 | DUCT_HIGH_STATIC | 19.1/18.2 | 13.4/13.0 | 21.5/20.7 |
| 2nd Floor/AHU-7 | ARNU283BGA2 | DUCT_HIGH_STATIC | 28.0/26.6 | 19.6/19.3 | 31.5/29.9 |
| 2nd Floor/AHU-12 | ARNU183BHA2 | DUCT_HIGH_STATIC | 19.1/18.2 | 13.4/13.0 | 21.5/20.6 |
| 2nd Floor/AHU-9 | ARNU183BHA2 | DUCT_HIGH_STATIC | 19.1/18.1 | 13.4/12.9 | 21.5/20.2 |
| | | | | | |
| | | | | | |
| | | | | | |
| | | | | | |
| | | | | | |
| | | | | | |
| | | | | | |
| | | | | | |
| | | | | | |
| | | | | | |
| | | | | | |
| | | | | | |
| | | | | | |
| | | | | | |
| | | | | | |
| | | | | | |
| | | | | | |
| | | | | | |
| | | | | | |

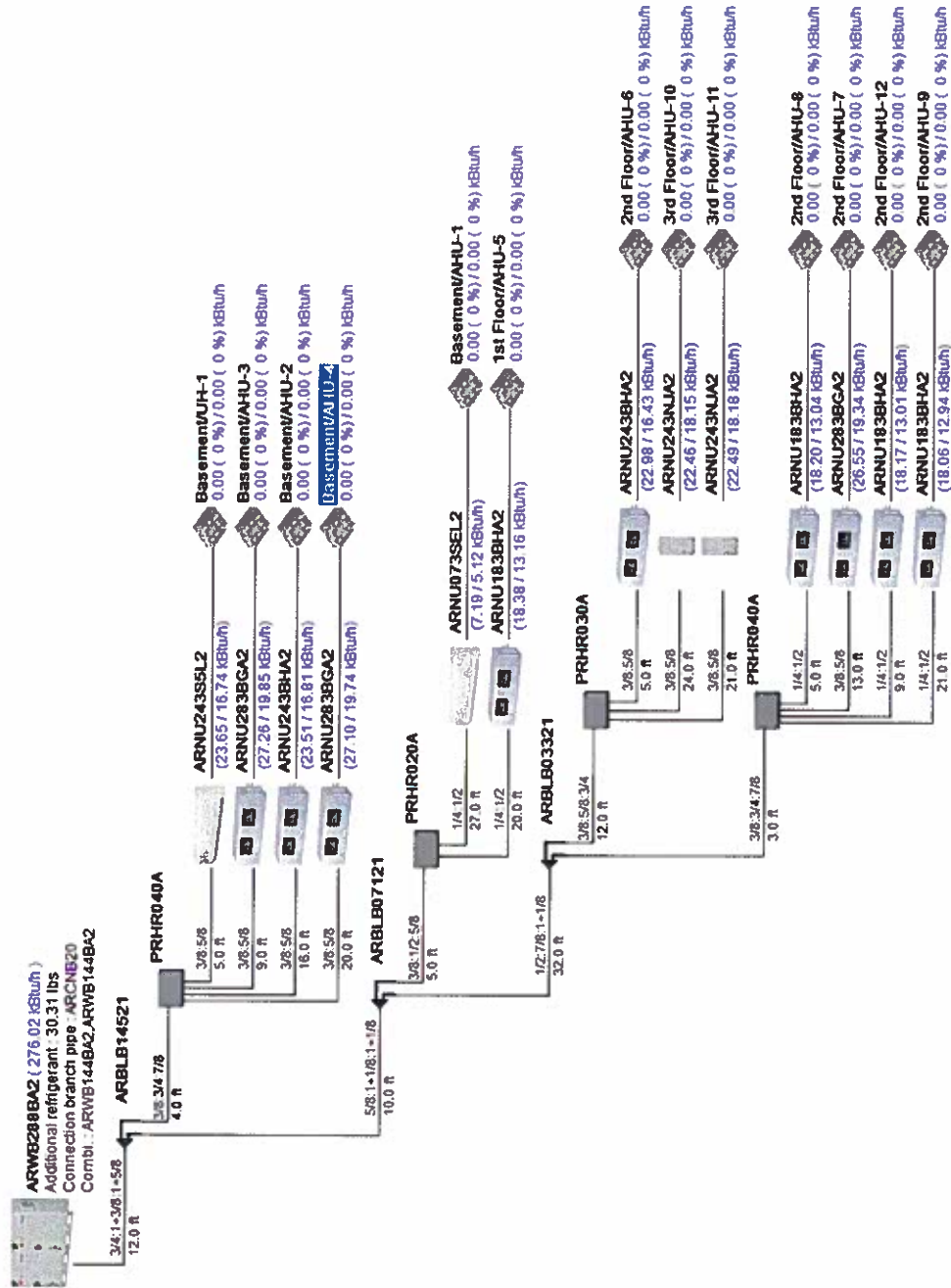
#Notes : Correction factor compensates Indoor unit Combination, Temperature, Pipe Length Effect etc.

The result can be slightly different from product data book due to simulation.

Model Selection - System 1

System No :1/1

12/01/2011

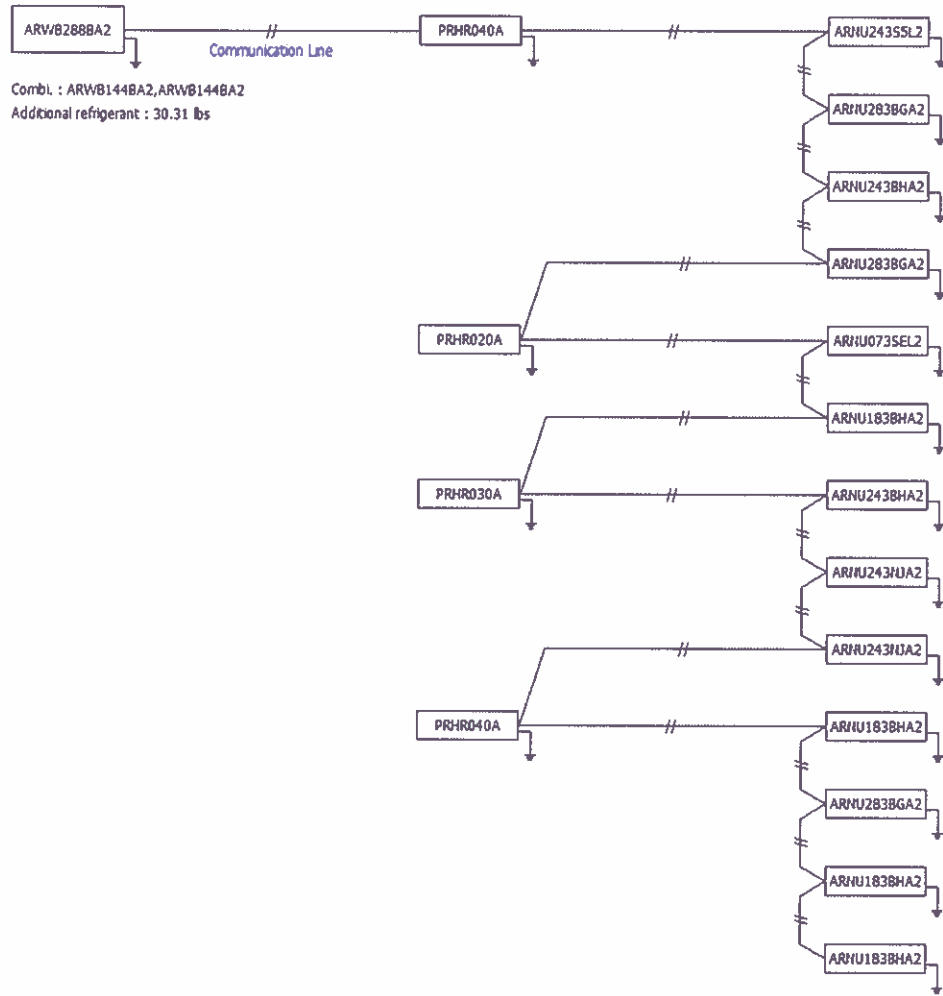




Model Selection - System 1

System No :1/1

12/01/2011



Note :

- Power wiring, breaker size, and disconnects shall follow local code or NEC
- Multi-frame outdoor unit models require a separate power connection for each frame.
- Refer to the most current submittal sheets for applicable electrical data.



Model Selection - Analysis

Project Name :Greater Portland Landmarks

1. Outdoor Units

| Model Name | Quantity |
|--------------|----------|
| ARWB288BA2 | 1 |
| | |
| | |
| Total | 1 |

2. Indoor Units

| Model Name | Quantity |
|--------------|-----------|
| ARNU243S5L2 | 1 |
| ARNU283BGA2 | 3 |
| ARNU243BHA2 | 2 |
| ARNU073SEL2 | 1 |
| ARNU183BHA2 | 4 |
| ARNU243NJA2 | 2 |
| | |
| | |
| | |
| Total | 13 |

3. Pipes

| Dia(Liq:Gas,in) | Length(ft) |
|-----------------|------------|
| 1+3/8 | 12 |
| 1+5/8 | 12 |
| 1+1/8 | 52 |
| 1/2 | 119 |
| 1/4 | 82 |
| 3/4 | 31 |
| 3/8 | 137 |
| 5/8 | 140 |
| 7/8 | 39 |
| Total | 624 |

4. Branch/Header/Common pipe

| Model Name | Quantity |
|--------------|----------|
| ARBLB14521 | 1 |
| ARBLB07121 | 1 |
| ARBLB03321 | 1 |
| ARCNB20 | 1 |
| PRHR040A | 2 |
| PRHR020A | 1 |
| PRHR030A | 1 |
| | |
| | |
| Total | 8 |

5. Accessories

| Model Name | Quantity |
|-------------------|----------|
| PQCSW320A0E (ODU) | 1 |



Model Selection - Analysis

| | |
|-----------------|-----------|
| PQRCVCL0Q (IDU) | 13 |
| | |
| Total | 14 |

Job Name/Location:

Tag #:

| | | |
|------------|-------------------|----------|
| Date: | For: File | Resubmit |
| PO No.: | Approval | Other |
| Architect: | GC: | |
| Engr: | Mech: | |
| Rep: | | |
| (Company) | (Project Manager) | |



ARWB288BA2 (a) ARWB144BA2
 Multi V™ Water II Heat Recovery (b) ARWB144BA2
 24.0 Ton Water Source Unit

Performance:

Cooling Mode:

| | |
|--------------------------|---------|
| Nominal Capacity (Btu/h) | 288,000 |
| Rated Capacity (Btu/h) | 274,000 |
| EER (Btu/W-h) | 11.30 |
| IEER (Btu/W-h) | 18.00 |

Heating Mode:

| | |
|--------------------------|---------|
| Nominal Capacity (Btu/h) | 324,000 |
| Rated Capacity (Btu/h) | 308,000 |
| COP (W/W) | 4.26 |

Nominal capacities are outside the scope of AHRI Standard 1230.
 Rated capacities are in accordance with AHRI Standard 1230-2010.

Electrical:

(a) ARWB144BA2 (b) ARWB144BA2

| | | |
|--------------------------|--------------|--------------|
| Power Supply (V/Hz/Ø) | 208-230/60/3 | 208-230/60/3 |
| MOP (A) | 65 | 65 |
| MCA (A) | 45 | 45 |
| Rated Amps (A) | 39.4 | 39.4 |
| Compressor A (A) | 17.7 | 21.7 |
| Compressor B (A) | 21.7 | 21.7 |
| Max Starting Current (A) | 103.9 | 103.9 |

Piping:

Refrigerant: (a) ARWB144BA2 (b) ARWB144BA2

| | | |
|--------------------------|-------------|-------------|
| Refrigerant Charge (lbs) | 19.4 | 19.4 |
| Liquid Line (in, OD) | 1/2 Flare | 1/2 Flare |
| Vapor Line High (in, OD) | 7/8 Braze | 7/8 Braze |
| Vapor Line Low (in, OD) | 1-1/8 Braze | 1-1/8 Braze |

Water: (a) ARWB144BA2 (b) ARWB144BA2

| | | |
|-------------------------|-----------|-----------|
| Water Inlet/Outlet (in) | 1-1/2 FPT | 1-1/2 FPT |
|-------------------------|-----------|-----------|

Condensate: (a) ARWB144BA2 (b) ARWB144BA2

| | | |
|----------------------|-----|-----|
| Condensate Line (in) | 3/4 | 3/4 |
|----------------------|-----|-----|

Standard Features:

- Limited Warranty with LG Certified Installation
 - Two Year Functional Parts Warranty
 - Additional Four Year Compressor Warranty
- Fault Detection and Diagnosis

Required Accessories:

ARCNB21 (frame connector Y-branch)

Water Operating Range:

| | |
|------------------------------------|--------|
| CLG Mode Entering Water Range (°F) | 50-113 |
| HTG Mode Entering Water Range (°F) | 23-113 |
| Synchronous (°F) | 23-113 |

Unit Data:

| | |
|--|-----------------------|
| Refrigerant Type | R410A |
| Refrigerant Control | EEV |
| Max Number of Indoor Units | 64 |
| Sound Pressure ¹ dB(A) | 52 |
| Net Unit Weight (a) + (b) (lbs) | 525 + 525 |
| Shipping Weight (a) + (b) (lbs) | 570 + 570 |
| Communication Cable ² (No. x AWG) | 2 x 18 |
| Heat Exchanger Type | Stainless Steel Plate |
| Heat Rejected to Equipment Room (Btu/h) | 3,414 |
| Total Heat of Rejection (Btu/h) | 348,126 |

Compressor:

| | |
|--------------------------|------------|
| Inverter Scroll Quantity | 2 |
| Constant Scroll Quantity | 2 |
| Oil/Type | PVE/FVC68D |

Condenser Water:

| | |
|---------------------------------|-------------|
| Flow Rate (a) + (b) (GPM) | 42.2 + 42.2 |
| Pressure Drop (a) + (b) (ft wg) | 14.4 + 14.4 |

Notes:

1. Sound pressure levels are tested in an anechoic chamber under ISO Standard 10996 and for the combination of water cooled units.
2. All communication cable to be minimum 18 AWG, 2-conductor, stranded, shielded and must comply with applicable local and national code.
3. The rated data mentioned in the above tables is applied with non-ducted indoor units.
4. Nominal data is rated 0 ft above sea level, with 25 ft of refrigerant line per indoor unit and a 0 ft level difference between outdoor and indoor units. All capacities are net with a combination ratio between 95 - 105%.
5. The voltage tolerance is ± 10%.
6. Power wiring cable size must comply with the applicable local and national code.



Intertek



For continual product development, LG reserves the right to change specifications without notice.

Job Name/Location:

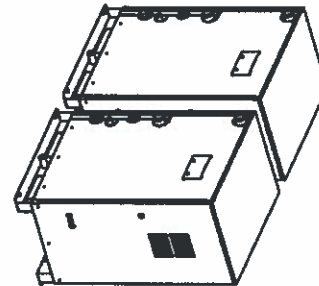
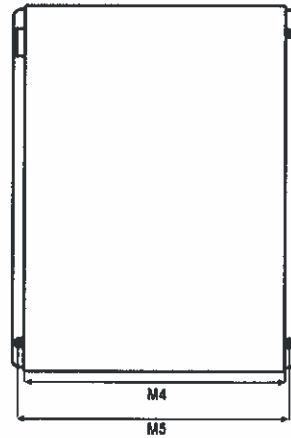
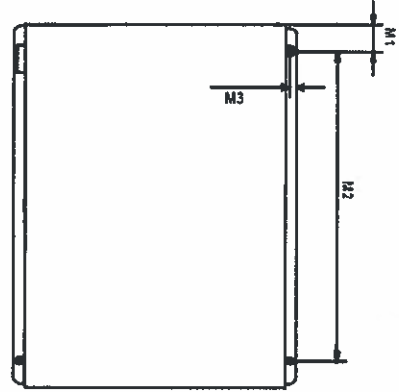
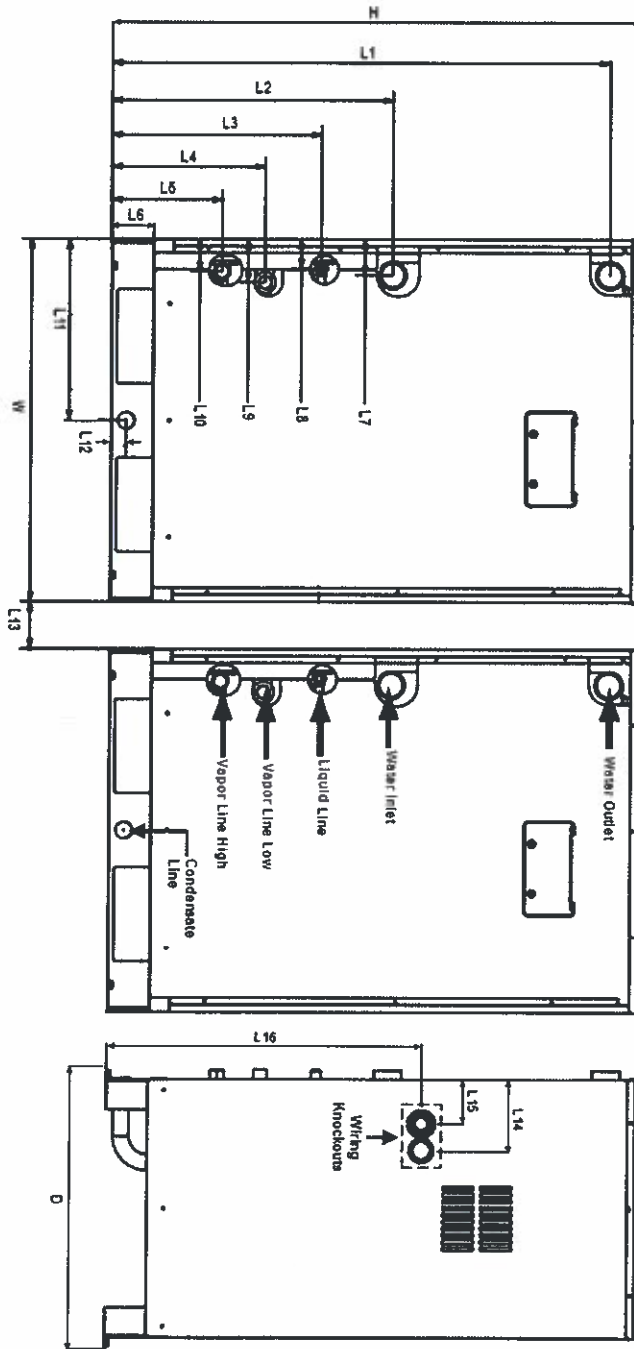
ARWB288BA2 (a) ARWB144BA2
 Multi V™ Water II Heat Recovery (b) ARWB144BA2
 24.0 Ton Water Source Unit



Tag #:

Date:

PO No.:



Note - All dimensions have a tolerance of ± 0.25 in.

| | |
|-----|----------|
| W | 30-13/32 |
| H | 44-3/32 |
| D | 23-19/32 |
| L1 | 41-5/8 |
| L2 | 23-1/2 |
| L3 | 17-17/32 |
| L4 | 12-13/16 |
| L5 | 9-1/4 |
| L6 | 3-21/32 |
| L7 | 3-1/2 |
| L8 | 2-15/32 |
| L9 | 3-5/8 |
| L10 | 2-3/4 |
| L11 | 15-3/16 |
| L12 | 1-1/4 |
| L13 | 6 |
| L14 | 5-5/8 |
| L15 | 3-9/16 |
| L16 | 26-27/32 |
| M1 | 2-1/4 |
| M2 | 25-29/32 |
| M3 | 19/32 |
| M4 | 21-17/32 |
| M5 | 22-19/32 |

Job Name/Location:

Tag #:

| | | |
|---------|-----------|----------|
| Date: | For: File | Resubmit |
| PO No.: | Approval | Other |

Architect: _____ GC: _____

Engr: _____ Mech: _____

Rep: _____
 (Company) _____ (Project Manager)

Outdoor Y-Branch Kits

Multi V™ Heat Recovery



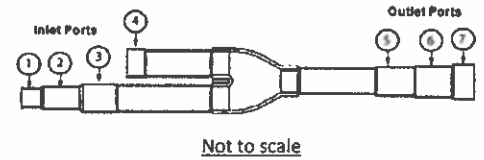
Insulation¹ Properties:

| | |
|---------------------------|-----------------|
| Material | Polyolefin Foam |
| UL94 Flame Classification | HF-1 |

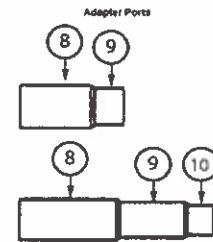
Fitting Properties:

| | |
|-----------------|----------|
| Material | Copper |
| Design Pressure | 551 PSIG |

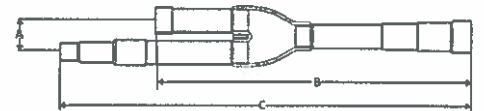
| Model | Y-Branch Type | Port Identifier | | | | | | |
|--------------------|-----------------|-----------------|-------|-------|-------|-------|-------|-------|
| | | 1 | 2 | 3 | 4 | 5 | 6 | 7 |
| ARCNB20 | Liquid | - | 3/8 | 1/2 | 1/2 | 3/4 | 5/8 | 1/2 |
| | Vapor Line Low | 3/4 | 7/8 | 1-1/8 | 1-1/8 | 1-1/8 | 1-1/4 | 1-3/8 |
| | Vapor Line High | 5/8 | 3/4 | 7/8 | 7/8 | 1-1/8 | 7/8 | - |
| ARCNB30 | Liquid | 1/2 | 5/8 | 3/4 | 1/2 | 7/8 | 3/4 | - |
| | Vapor Line Low | - | 1-1/8 | 1-3/8 | 1-1/8 | 1-3/8 | 1-1/2 | 1-5/8 |
| | Vapor Line High | 3/4 | 7/8 | 1-1/8 | 7/8 | 1-1/8 | 1-1/4 | 1-3/8 |



| Y-Branch | Qty/Kit | Reducer Type | 8 | 9 | 10 | Length |
|--------------------|---------|-----------------|----------|----------|--------|---------|
| ARCNB20 | 6 | Liquid | 1/2 OD | 3/8 ID | - | 2-7/8 |
| | | | 7/8 ID | 3/4 OD | - | 3-5/32 |
| | | Vapor Line Low | 3/4 OD | 5/8 ID | - | 2-15/16 |
| | | | 1-1/8 OD | 7/8 ID | 3/4 ID | 4-17/32 |
| | | | 1-1/2 ID | 1-3/8 OD | - | 3-9/32 |
| | | | 7/8 OD | 3/4 ID | 5/8 ID | 4-17/32 |
| ARCNB30 | 3 | Liquid | 1/2 ID | 3/8 ID | - | 2-7/8 |
| | | Vapor Line Low | 1-1/8 OD | 7/8 ID | 3/4 ID | 4-17/32 |
| | | Vapor Line High | 7/8 OD | 3/4 ID | 5/8 ID | 4-17/32 |



| Model | Y-Branch Type | A | B | C |
|--------------------|-----------------|---------|----------|----------|
| ARCNB20 | Liquid | 31/32 | 13-1/32 | 15-25/32 |
| | Vapor Line Low | 1-1/2 | 14-9/32 | 18-5/8 |
| | Vapor Line High | 1-1/2 | 12-5/8 | 16-25/32 |
| ARCNB30 | Liquid | 31/32 | 11-3/8 | 15-5/8 |
| | Vapor Line Low | 1-25/32 | 14-9/16 | 17-15/16 |
| | Vapor Line High | 1-1/2 | 11-11/32 | 18-5/8 |



Notes:

- Each Y-Branch kit comes with insulation for the following piping components - liquid, vapor line low and vapor line high.
- LG branch fittings must be used. Field supplied branch fittings are not permitted.
- Kit components must be kept dry and free of debris before installation.
- Must follow installation instructions in the applicable LG installation manual.



ARWB288BA2

Cooling Capacity(208/230V)

| Combination (%) | Inlet Water Temperature (°F) | Water Flow Rate (gpm) | Indoor Air Temperature(°F WB) | | | | | | | | | | | | | |
|-----------------|------------------------------|-----------------------|-------------------------------|-------|-------|-------|-------|-------|-------|-------|-------|-------|-------|-------|-------|-------|
| | | | 57 | | 61 | | 64 | | 67 | | 70 | | 73 | | 76 | |
| | | | TC | PI | TC | PI | TC | PI | TC | PI | TC | PI | TC | PI | TC | PI |
| 130 | 50 | 31.8 | 267.6 | 5.95 | 289.8 | 6.91 | 315.7 | 8.03 | 343.1 | 9.1 | 353.3 | 9.27 | 367.3 | 9.50 | 377.5 | 9.67 |
| | | 42.4 | 267.6 | 5.83 | 289.8 | 6.79 | 315.7 | 7.90 | 343.1 | 8.9 | 353.3 | 9.12 | 367.3 | 9.36 | 377.5 | 9.52 |
| | | 84.4 | 267.6 | 5.34 | 289.8 | 6.35 | 315.7 | 7.40 | 343.1 | 8.3 | 353.3 | 8.53 | 367.3 | 8.77 | 377.5 | 8.94 |
| | | 105.6 | 267.6 | 5.21 | 289.8 | 6.21 | 315.7 | 7.26 | 343.1 | 8.2 | 353.3 | 8.39 | 367.3 | 8.60 | 377.5 | 8.75 |
| | 59 | 31.8 | 263.3 | 7.81 | 285.2 | 9.07 | 310.6 | 10.56 | 337.6 | 11.9 | 347.7 | 12.17 | 361.3 | 12.47 | 371.4 | 12.69 |
| | | 42.4 | 263.3 | 7.65 | 285.2 | 8.92 | 310.6 | 10.39 | 337.6 | 11.7 | 347.7 | 11.98 | 361.3 | 12.28 | 371.4 | 12.50 |
| | | 84.4 | 263.3 | 7.03 | 285.2 | 8.34 | 310.6 | 9.72 | 337.6 | 10.9 | 347.7 | 11.21 | 361.3 | 11.51 | 371.4 | 11.74 |
| | | 105.6 | 263.3 | 6.84 | 285.2 | 8.16 | 310.6 | 9.52 | 337.6 | 10.7 | 347.7 | 11.01 | 361.3 | 11.29 | 371.4 | 11.48 |
| | 67 | 31.8 | 259.5 | 9.46 | 281.1 | 10.99 | 306.1 | 12.81 | 332.7 | 14.4 | 342.7 | 14.75 | 356.0 | 15.11 | 366.0 | 15.38 |
| | | 42.4 | 259.5 | 9.27 | 281.1 | 10.81 | 306.1 | 12.60 | 332.7 | 14.2 | 342.7 | 14.52 | 356.0 | 14.88 | 366.0 | 15.15 |
| | | 84.4 | 259.5 | 8.53 | 281.1 | 10.11 | 306.1 | 11.78 | 332.7 | 13.3 | 342.7 | 13.59 | 356.0 | 13.95 | 366.0 | 14.23 |
| | | 105.6 | 259.5 | 8.29 | 281.1 | 9.89 | 306.1 | 11.53 | 332.7 | 13.0 | 342.7 | 13.34 | 356.0 | 13.68 | 366.0 | 13.91 |
| | 75 | 31.8 | 259.5 | 11.66 | 281.1 | 13.56 | 306.1 | 15.79 | 332.7 | 17.8 | 342.7 | 18.20 | 356.0 | 18.64 | 366.0 | 18.97 |
| | | 42.4 | 259.5 | 11.43 | 281.1 | 13.34 | 306.1 | 15.53 | 332.7 | 17.5 | 342.7 | 17.91 | 356.0 | 18.35 | 366.0 | 18.68 |
| | | 84.4 | 259.5 | 10.51 | 281.1 | 12.47 | 306.1 | 14.52 | 332.7 | 16.4 | 342.7 | 16.76 | 356.0 | 17.21 | 366.0 | 17.55 |
| | | 105.6 | 259.5 | 10.22 | 281.1 | 12.20 | 306.1 | 14.23 | 332.7 | 16.0 | 342.7 | 16.45 | 356.0 | 16.87 | 366.0 | 17.16 |
| | 85 | 31.8 | 259.5 | 14.00 | 281.1 | 16.26 | 306.1 | 18.95 | 332.7 | 21.3 | 342.7 | 21.84 | 356.0 | 22.37 | 366.0 | 22.76 |
| | | 42.4 | 259.5 | 13.72 | 281.1 | 16.00 | 306.1 | 18.64 | 332.7 | 21.0 | 342.7 | 21.49 | 356.0 | 22.02 | 366.0 | 22.42 |
| | | 84.4 | 259.5 | 12.62 | 281.1 | 14.96 | 306.1 | 17.43 | 332.7 | 19.6 | 342.7 | 20.11 | 356.0 | 20.65 | 366.0 | 21.06 |
| | | 105.6 | 259.5 | 12.27 | 281.1 | 14.64 | 306.1 | 17.07 | 332.7 | 19.2 | 342.7 | 19.74 | 356.0 | 20.24 | 366.0 | 20.59 |
| | 95 | 31.8 | 233.6 | 14.15 | 252.9 | 16.45 | 275.5 | 19.16 | 299.5 | 21.6 | 308.4 | 22.08 | 320.4 | 22.62 | 329.4 | 23.02 |
| | | 42.4 | 233.6 | 13.87 | 252.9 | 16.18 | 275.5 | 18.85 | 299.5 | 21.2 | 308.4 | 21.73 | 320.4 | 22.27 | 329.4 | 22.67 |
| | | 84.4 | 233.6 | 12.76 | 252.9 | 15.13 | 275.5 | 17.62 | 299.5 | 19.9 | 308.4 | 20.34 | 320.4 | 20.88 | 329.4 | 21.30 |
| | | 105.6 | 233.6 | 12.41 | 252.9 | 14.81 | 275.5 | 17.26 | 299.5 | 19.5 | 308.4 | 19.96 | 320.4 | 20.47 | 329.4 | 20.82 |
| 104 | 31.8 | 207.6 | 14.93 | 224.8 | 17.35 | 244.9 | 20.21 | 266.2 | 22.8 | 274.2 | 23.29 | 284.8 | 23.86 | 292.8 | 24.27 | |
| | 42.4 | 207.6 | 14.63 | 224.8 | 17.07 | 244.9 | 19.88 | 266.2 | 22.4 | 274.2 | 22.92 | 284.8 | 23.49 | 292.8 | 23.91 | |
| | 84.4 | 207.6 | 13.46 | 224.8 | 15.96 | 244.9 | 18.59 | 266.2 | 20.9 | 274.2 | 21.46 | 284.8 | 22.03 | 292.8 | 22.47 | |
| | 105.6 | 207.6 | 13.09 | 224.8 | 15.62 | 244.9 | 18.21 | 266.2 | 20.5 | 274.2 | 21.06 | 284.8 | 21.59 | 292.8 | 21.96 | |
| 113 | 31.8 | 181.6 | 15.70 | 196.7 | 18.26 | 214.3 | 21.25 | 232.9 | 23.9 | 240.0 | 24.50 | 249.2 | 25.10 | 256.2 | 25.53 | |
| | 42.4 | 181.6 | 15.39 | 196.7 | 17.96 | 214.3 | 20.91 | 232.9 | 23.6 | 240.0 | 24.11 | 249.2 | 24.71 | 256.2 | 25.15 | |
| | 84.4 | 181.6 | 14.16 | 196.7 | 16.79 | 214.3 | 19.56 | 232.9 | 22.0 | 240.0 | 22.58 | 249.2 | 23.18 | 256.2 | 23.64 | |
| | 105.6 | 181.6 | 13.77 | 196.7 | 16.43 | 214.3 | 19.16 | 232.9 | 21.6 | 240.0 | 22.16 | 249.2 | 22.71 | 256.2 | 23.10 | |
| 120 | 50 | 31.8 | 253.2 | 5.65 | 274.2 | 6.53 | 298.8 | 7.62 | 324.8 | 8.6 | 334.4 | 8.79 | 347.5 | 8.98 | 357.3 | 9.14 |
| | | 42.4 | 253.2 | 5.53 | 274.2 | 6.43 | 298.8 | 7.50 | 324.8 | 8.4 | 334.4 | 8.65 | 347.5 | 8.85 | 357.3 | 9.00 |
| | | 84.4 | 253.2 | 5.08 | 274.2 | 6.02 | 298.8 | 7.01 | 324.8 | 7.9 | 334.4 | 8.08 | 347.5 | 8.31 | 357.3 | 8.46 |
| | | 105.6 | 253.2 | 4.93 | 274.2 | 5.90 | 298.8 | 6.86 | 324.8 | 7.7 | 334.4 | 7.93 | 347.5 | 8.14 | 357.3 | 8.25 |
| | 59 | 31.8 | 250.4 | 7.47 | 271.2 | 8.67 | 295.4 | 10.10 | 321.1 | 11.4 | 330.7 | 11.65 | 343.6 | 11.92 | 353.2 | 12.13 |
| | | 42.4 | 250.4 | 7.32 | 271.2 | 8.53 | 295.4 | 9.94 | 321.1 | 11.2 | 330.7 | 11.46 | 343.6 | 11.74 | 353.2 | 11.95 |
| | | 84.4 | 250.4 | 6.73 | 271.2 | 7.98 | 295.4 | 9.29 | 321.1 | 10.5 | 330.7 | 10.72 | 343.6 | 11.01 | 353.2 | 11.22 |
| | | 105.6 | 250.4 | 6.54 | 271.2 | 7.81 | 295.4 | 9.10 | 321.1 | 10.3 | 330.7 | 10.52 | 343.6 | 10.79 | 353.2 | 10.95 |
| | 67 | 31.8 | 247.9 | 9.09 | 268.5 | 10.57 | 292.4 | 12.31 | 317.8 | 13.9 | 327.4 | 14.18 | 340.1 | 14.54 | 349.6 | 14.80 |
| | | 42.4 | 247.9 | 8.91 | 268.5 | 10.40 | 292.4 | 12.11 | 317.8 | 13.6 | 327.4 | 13.96 | 340.1 | 14.31 | 349.6 | 14.57 |
| | | 84.4 | 247.9 | 8.20 | 268.5 | 9.72 | 292.4 | 11.32 | 317.8 | 12.8 | 327.4 | 13.07 | 340.1 | 13.41 | 349.6 | 13.67 |
| | | 105.6 | 247.9 | 7.97 | 268.5 | 9.51 | 292.4 | 11.09 | 317.8 | 12.5 | 327.4 | 12.82 | 340.1 | 13.15 | 349.6 | 13.35 |
| | 75 | 31.8 | 247.9 | 11.18 | 268.5 | 12.99 | 292.4 | 15.14 | 317.8 | 17.0 | 327.4 | 17.44 | 340.1 | 17.86 | 349.6 | 18.18 |
| | | 42.4 | 247.9 | 10.96 | 268.5 | 12.78 | 292.4 | 14.89 | 317.8 | 16.8 | 327.4 | 17.16 | 340.1 | 17.58 | 349.6 | 17.90 |
| | | 84.4 | 247.9 | 10.08 | 268.5 | 11.95 | 292.4 | 13.92 | 317.8 | 15.7 | 327.4 | 16.06 | 340.1 | 16.48 | 349.6 | 16.80 |
| | | 105.6 | 247.9 | 9.80 | 268.5 | 11.69 | 292.4 | 13.63 | 317.8 | 15.4 | 327.4 | 15.76 | 340.1 | 16.16 | 349.6 | 16.40 |
| | 85 | 31.8 | 247.9 | 13.52 | 268.5 | 15.70 | 292.4 | 18.30 | 317.8 | 20.6 | 327.4 | 21.09 | 340.1 | 21.60 | 349.6 | 21.99 |
| | | 42.4 | 247.9 | 13.25 | 268.5 | 15.45 | 292.4 | 18.00 | 317.8 | 20.3 | 327.4 | 20.75 | 340.1 | 21.26 | 349.6 | 21.65 |
| | | 84.4 | 247.9 | 12.18 | 268.5 | 14.45 | 292.4 | 16.83 | 317.8 | 19.0 | 327.4 | 19.42 | 340.1 | 19.93 | 349.6 | 20.31 |
| | | 105.6 | 247.9 | 11.85 | 268.5 | 14.14 | 292.4 | 16.48 | 317.8 | 18.6 | 327.4 | 19.05 | 340.1 | 19.54 | 349.6 | 19.83 |
| | 95 | 31.8 | 226.9 | 13.86 | 245.7 | 16.10 | 267.6 | 18.75 | 290.8 | 21.1 | 299.6 | 21.62 | 311.2 | 22.14 | 319.9 | 22.54 |
| | | 42.4 | 226.9 | 13.58 | 245.7 | 15.84 | 267.6 | 18.45 | 290.8 | 20.8 | 299.6 | 21.27 | 311.2 | 21.79 | 319.9 | 22.19 |
| | | 84.4 | 226.9 | 12.49 | 245.7 | 14.81 | 267.6 | 17.25 | 290.8 | 19.4 | 299.6 | 19.90 | 311.2 | 20.42 | 319.9 | 20.82 |
| | | 105.6 | 226.9 | 12.14 | 245.7 | 14.49 | 267.6 | 16.89 | 290.8 | 19.0 | 299.6 | 19.53 | 311.2 | 20.03 | 319.9 | 20.33 |
| 104 | 31.8 | 205.8 | 14.91 | 222.9 | 17.32 | 242.7 | 20.18 | 263.9 | 22.7 | 271.8 | 23.26 | 282.3 | 23.82 | 290.2 | 24.25 | |
| | 42.4 | 205.8 | 14.61 | 222.9 | 17.04 | 242.7 | 19.85 | 263.9 | 22.4 | 271.8 | 22.89 | 282.3 | 23.45 | 290.2 | 23.88 | |
| | 84.4 | 205.8 | 13.44 | 222.9 | 15.94 | 242.7 | 18.56 | 263.9 | 20.9 | 271.8 | 21.42 | 282.3 | 21.98 | 290.2 | 22.40 | |
| | 105.6 | 205.8 | 13.07 | 222.9 | 15.60 | 242.7 | 18.18 | 263.9 | 20.5 | 271.8 | 21.02 | 282.3 | 21.56 | 290.2 | 21.87 | |
| 113 | 31.8 | 184.7 | 15.96 | 200.1 | 18.54 | 217.8 | 21.60 | 237.0 | 24.3 | 244.0 | 24.91 | 253.4 | 25.51 | 260.5 | 25.97 | |
| | 42.4 | 184.7 | 15.64 | 200.1 | 18.24 | 217.8 | 21.25 | 237.0 | 24.0 | 244.0 | 24.51 | 253.4 | 25.11 | 260.5 | 25.57 | |
| | 84.4 | 184.7 | 14.39 | 200.1 | 17.07 | 217.8 | 19.87 | 237.0 | 22.4 | 244.0 | 22.94 | 253.4 | 23.54 | 260.5 | 23.98 | |
| | 105.6 | 184.7 | 14.00 | 200.1 | 16.71 | 217.8 | 19.47 | 237.0 | 21.9 | 244.0 | 22.51 | 253.4 | 23.09 | 260.5 | 23.41 | |

TC: Total Capacity(MBh)
 PI : Power Input(kW)(Comp. + Outdoor fan motor)



Cooling Capacity(208/230V)

| Combination (%) | Inlet Water Temperature (°F) | Water Flow Rate (gpm) | Indoor Air Temperature(°F WB) | | | | | | | | | | | | | | |
|-----------------|------------------------------|-----------------------|-------------------------------|-------|-------|-------|-------|-------|-------|-------|-------|-------|-------|-------|-------|-------|-------|
| | | | 57 | | 61 | | 64 | | 67 | | 70 | | 73 | | 76 | | |
| | | | TC | PI | TC | PI | TC | PI | TC | PI | TC | PI | TC | PI | TC | PI | |
| 110 | 50 | 31.8 | 238.9 | 5.31 | 258.7 | 6.19 | 281.9 | 7.20 | 306.3 | 8.1 | 315.6 | 8.30 | 327.9 | 8.49 | 337.0 | 8.86 | |
| | | 42.4 | 238.9 | 5.20 | 258.7 | 6.09 | 281.9 | 7.08 | 306.3 | 8.0 | 315.6 | 8.16 | 327.9 | 8.36 | 337.0 | 8.52 | |
| | | 84.4 | 238.9 | 4.79 | 258.7 | 5.70 | 281.9 | 6.62 | 306.3 | 7.5 | 315.6 | 7.63 | 327.9 | 7.85 | 337.0 | 7.97 | |
| | | 105.6 | 238.9 | 4.65 | 258.7 | 5.56 | 281.9 | 6.49 | 306.3 | 7.3 | 315.6 | 7.49 | 327.9 | 7.69 | 337.0 | 7.79 | |
| | 59 | 31.8 | 237.5 | 7.12 | 257.2 | 8.28 | 280.2 | 9.65 | 304.5 | 10.9 | 313.7 | 11.12 | 325.9 | 11.39 | 335.0 | 11.59 | |
| | | 42.4 | 237.5 | 6.98 | 257.2 | 8.15 | 280.2 | 9.49 | 304.5 | 10.7 | 313.7 | 10.94 | 325.9 | 11.21 | 335.0 | 11.41 | |
| | | 84.4 | 237.5 | 6.42 | 257.2 | 7.62 | 280.2 | 8.87 | 304.5 | 10.0 | 313.7 | 10.23 | 325.9 | 10.50 | 335.0 | 10.69 | |
| | | 105.6 | 237.5 | 6.24 | 257.2 | 7.45 | 280.2 | 8.69 | 304.5 | 9.8 | 313.7 | 10.04 | 325.9 | 10.30 | 335.0 | 10.43 | |
| | 67 | 31.8 | 236.3 | 8.73 | 255.9 | 10.14 | 278.7 | 11.82 | 302.9 | 13.3 | 312.0 | 13.63 | 324.1 | 13.96 | 333.2 | 14.20 | |
| | | 42.4 | 236.3 | 8.56 | 255.9 | 9.98 | 278.7 | 11.63 | 302.9 | 13.1 | 312.0 | 13.41 | 324.1 | 13.74 | 333.2 | 13.98 | |
| | | 84.4 | 236.3 | 7.87 | 255.9 | 9.33 | 278.7 | 10.87 | 302.9 | 12.2 | 312.0 | 12.54 | 324.1 | 12.86 | 333.2 | 13.11 | |
| | | 105.6 | 236.3 | 7.65 | 255.9 | 9.13 | 278.7 | 10.65 | 302.9 | 12.0 | 312.0 | 12.31 | 324.1 | 12.62 | 333.2 | 12.78 | |
| | 75 | 31.8 | 236.3 | 10.68 | 255.9 | 12.42 | 278.7 | 14.47 | 302.9 | 16.3 | 312.0 | 16.69 | 324.1 | 17.09 | 333.2 | 17.39 | |
| | | 42.4 | 236.3 | 10.48 | 255.9 | 12.22 | 278.7 | 14.24 | 302.9 | 16.0 | 312.0 | 16.42 | 324.1 | 16.82 | 333.2 | 17.12 | |
| | | 84.4 | 236.3 | 9.64 | 255.9 | 11.43 | 278.7 | 13.31 | 302.9 | 15.0 | 312.0 | 15.35 | 324.1 | 15.75 | 333.2 | 16.05 | |
| | | 105.6 | 236.3 | 9.37 | 255.9 | 11.18 | 278.7 | 13.04 | 302.9 | 14.7 | 312.0 | 15.07 | 324.1 | 15.45 | 333.2 | 15.65 | |
| | 85 | 31.8 | 236.3 | 13.03 | 255.9 | 15.15 | 278.7 | 17.65 | 302.9 | 19.9 | 312.0 | 20.34 | 324.1 | 20.83 | 333.2 | 21.20 | |
| | | 42.4 | 236.3 | 12.77 | 255.9 | 14.90 | 278.7 | 17.36 | 302.9 | 19.6 | 312.0 | 20.01 | 324.1 | 20.50 | 333.2 | 20.87 | |
| | | 84.4 | 236.3 | 11.75 | 255.9 | 13.93 | 278.7 | 16.23 | 302.9 | 18.3 | 312.0 | 18.72 | 324.1 | 19.20 | 333.2 | 19.56 | |
| | | 105.6 | 236.3 | 11.42 | 255.9 | 13.63 | 278.7 | 15.90 | 302.9 | 17.9 | 312.0 | 18.37 | 324.1 | 18.84 | 333.2 | 19.08 | |
| | 95 | 31.8 | 220.1 | 13.55 | 238.4 | 15.74 | 259.6 | 18.35 | 282.2 | 20.7 | 290.7 | 21.15 | 302.0 | 21.66 | 310.4 | 22.04 | |
| | | 42.4 | 220.1 | 13.28 | 238.4 | 15.49 | 259.6 | 18.05 | 282.2 | 20.3 | 290.7 | 20.81 | 302.0 | 21.32 | 310.4 | 21.70 | |
| | | 84.4 | 220.1 | 12.21 | 238.4 | 14.49 | 259.6 | 16.87 | 282.2 | 19.0 | 290.7 | 19.46 | 302.0 | 19.97 | 310.4 | 20.34 | |
| | | 105.6 | 220.1 | 11.88 | 238.4 | 14.18 | 259.6 | 16.53 | 282.2 | 18.6 | 290.7 | 19.10 | 302.0 | 19.59 | 310.4 | 19.83 | |
| | 104 | 31.8 | 204.0 | 14.89 | 220.9 | 17.30 | 240.6 | 20.14 | 261.5 | 22.7 | 269.4 | 23.23 | 279.8 | 23.80 | 287.7 | 24.22 | |
| | | 42.4 | 204.0 | 14.59 | 220.9 | 17.02 | 240.6 | 19.82 | 261.5 | 22.3 | 269.4 | 22.86 | 279.8 | 23.42 | 287.7 | 23.84 | |
| | | 84.4 | 204.0 | 13.42 | 220.9 | 15.91 | 240.6 | 18.54 | 261.5 | 20.9 | 269.4 | 21.38 | 279.8 | 21.93 | 287.7 | 22.34 | |
| | | 105.6 | 204.0 | 13.05 | 220.9 | 15.57 | 240.6 | 18.16 | 261.5 | 20.5 | 269.4 | 20.98 | 279.8 | 21.52 | 287.7 | 21.78 | |
| | 113 | 31.8 | 187.9 | 16.22 | 203.4 | 18.86 | 221.6 | 21.94 | 240.8 | 24.7 | 248.1 | 25.32 | 257.6 | 25.93 | 265.0 | 26.39 | |
| | | 42.4 | 187.9 | 15.90 | 203.4 | 18.55 | 221.6 | 21.59 | 240.8 | 24.3 | 248.1 | 24.91 | 257.6 | 25.52 | 265.0 | 25.98 | |
| | | 84.4 | 187.9 | 14.63 | 203.4 | 17.33 | 221.6 | 20.21 | 240.8 | 22.7 | 248.1 | 23.30 | 257.6 | 23.89 | 265.0 | 24.34 | |
| | | 105.6 | 187.9 | 14.22 | 203.4 | 16.96 | 221.6 | 19.79 | 240.8 | 22.3 | 248.1 | 22.86 | 257.6 | 23.45 | 265.0 | 23.73 | |
| | 100 | 50 | 31.8 | 224.6 | 5.00 | 243.3 | 5.82 | 265.0 | 6.79 | 288.0 | 7.6 | 296.6 | 7.81 | 308.2 | 8.00 | 316.8 | 8.16 |
| | | | 42.4 | 224.6 | 4.91 | 243.3 | 5.72 | 265.0 | 6.68 | 288.0 | 7.5 | 296.6 | 7.69 | 308.2 | 7.87 | 316.8 | 8.02 |
| | | | 84.4 | 224.6 | 4.52 | 243.3 | 5.34 | 265.0 | 6.23 | 288.0 | 7.0 | 296.6 | 7.19 | 308.2 | 7.37 | 316.8 | 7.50 |
| | | | 105.6 | 224.6 | 4.40 | 243.3 | 5.24 | 265.0 | 6.09 | 288.0 | 6.9 | 296.6 | 7.05 | 308.2 | 7.22 | 316.8 | 7.30 |
| | | 59 | 31.8 | 224.6 | 6.78 | 243.3 | 7.89 | 265.0 | 9.19 | 288.0 | 10.3 | 296.6 | 10.59 | 308.2 | 10.84 | 316.8 | 11.05 |
| | | | 42.4 | 224.6 | 6.65 | 243.3 | 7.76 | 265.0 | 9.04 | 288.0 | 10.2 | 296.6 | 10.42 | 308.2 | 10.67 | 316.8 | 10.87 |
| | | | 84.4 | 224.6 | 6.12 | 243.3 | 7.25 | 265.0 | 8.45 | 288.0 | 9.5 | 296.6 | 9.74 | 308.2 | 9.99 | 316.8 | 10.17 |
| | | | 105.6 | 224.6 | 5.95 | 243.3 | 7.10 | 265.0 | 8.27 | 288.0 | 9.3 | 296.6 | 9.56 | 308.2 | 9.80 | 316.8 | 9.90 |
| | | 67 | 31.8 | 224.6 | 8.37 | 243.3 | 9.73 | 265.0 | 11.32 | 288.0 | 12.8 | 296.6 | 13.06 | 308.2 | 13.37 | 316.8 | 13.62 |
| | | | 42.4 | 224.6 | 8.20 | 243.3 | 9.57 | 265.0 | 11.14 | 288.0 | 12.6 | 296.6 | 12.85 | 308.2 | 13.16 | 316.8 | 13.40 |
| | | | 84.4 | 224.6 | 7.54 | 243.3 | 8.95 | 265.0 | 10.42 | 288.0 | 11.7 | 296.6 | 12.01 | 308.2 | 12.32 | 316.8 | 12.54 |
| | | | 105.6 | 224.6 | 7.33 | 243.3 | 8.75 | 265.0 | 10.21 | 288.0 | 11.5 | 296.6 | 11.79 | 308.2 | 12.09 | 316.8 | 12.21 |
| | | 75 | 31.8 | 224.6 | 10.20 | 243.3 | 11.86 | 265.0 | 13.81 | 288.0 | 15.6 | 296.6 | 15.93 | 308.2 | 16.31 | 316.8 | 16.60 |
| 42.4 | | | 224.6 | 10.00 | 243.3 | 11.67 | 265.0 | 13.59 | 288.0 | 15.3 | 296.6 | 15.67 | 308.2 | 16.05 | 316.8 | 16.34 | |
| 84.4 | | | 224.6 | 9.20 | 243.3 | 10.91 | 265.0 | 12.71 | 288.0 | 14.3 | 296.6 | 14.65 | 308.2 | 15.03 | 316.8 | 15.30 | |
| 105.6 | | | 224.6 | 8.94 | 243.3 | 10.68 | 265.0 | 12.45 | 288.0 | 14.0 | 296.6 | 14.38 | 308.2 | 14.74 | 316.8 | 14.89 | |
| 85 | | 31.8 | 224.6 | 12.55 | 243.3 | 14.58 | 265.0 | 17.00 | 288.0 | 19.1 | 296.6 | 19.59 | 308.2 | 20.07 | 316.8 | 20.43 | |
| | | 42.4 | 224.6 | 12.30 | 243.3 | 14.35 | 265.0 | 16.72 | 288.0 | 18.8 | 296.6 | 19.27 | 308.2 | 19.75 | 316.8 | 20.10 | |
| | | 84.4 | 224.6 | 11.31 | 243.3 | 13.42 | 265.0 | 15.63 | 288.0 | 17.6 | 296.6 | 18.02 | 308.2 | 18.48 | 316.8 | 18.81 | |
| | | 105.6 | 224.6 | 11.00 | 243.3 | 13.13 | 265.0 | 15.31 | 288.0 | 17.3 | 296.6 | 17.68 | 308.2 | 18.14 | 316.8 | 18.32 | |
| 95 | | 31.8 | 213.4 | 13.26 | 231.1 | 15.40 | 251.7 | 17.93 | 273.6 | 20.2 | 281.8 | 20.67 | 292.8 | 21.18 | 301.0 | 21.56 | |
| | | 42.4 | 213.4 | 12.99 | 231.1 | 15.15 | 251.7 | 17.64 | 273.6 | 19.9 | 281.8 | 20.34 | 292.8 | 20.84 | 301.0 | 21.22 | |
| | | 84.4 | 213.4 | 11.94 | 231.1 | 14.16 | 251.7 | 16.50 | 273.6 | 18.6 | 281.8 | 19.02 | 292.8 | 19.51 | 301.0 | 19.86 | |
| | | 105.6 | 213.4 | 11.61 | 231.1 | 13.86 | 251.7 | 16.16 | 273.6 | 18.2 | 281.8 | 18.67 | 292.8 | 19.14 | 301.0 | 19.34 | |
| 104 | | 31.8 | 202.2 | 14.87 | 218.9 | 17.27 | 238.5 | 20.13 | 259.2 | 22.7 | 267.0 | 23.19 | 277.3 | 23.76 | 285.1 | 24.20 | |
| | | 42.4 | 202.2 | 14.57 | 218.9 | 16.99 | 238.5 | 19.80 | 259.2 | 22.3 | 267.0 | 22.82 | 277.3 | 23.38 | 285.1 | 23.81 | |
| | | 84.4 | 202.2 | 13.40 | 218.9 | 15.89 | 238.5 | 18.51 | 259.2 | 20.8 | 267.0 | 21.34 | 277.3 | 21.89 | 285.1 | 22.28 | |
| | | 105.6 | 202.2 | 13.03 | 218.9 | 15.55 | 238.5 | 18.13 | 259.2 | 20.4 | 267.0 | 20.94 | 277.3 | 21.48 | 285.1 | 21.69 | |
| 113 | | 31.8 | 191.0 | 16.48 | 206.7 | 19.14 | 225.3 | 22.32 | 244.8 | 25.1 | 252.2 | 25.71 | 261.8 | 26.34 | 269.2 | 26.83 | |
| | | 42.4 | 191.0 | 16.15 | 206.7 | 18.83 | 225.3 | 21.96 | 244.8 | 24.7 | 252.2 | 25.30 | 261.8 | 25.92 | 269.2 | 26.40 | |
| | | 84.4 | 191.0 | 14.86 | 206.7 | 17.62 | 225.3 | 20.52 | 244.8 | 23.1 | 252.2 | 23.66 | 261.8 | 24.27 | 269.2 | 24.70 | |
| | | | 105.6 | 191.0 | 14.45 | 206.7 | 17.24 | 225.3 | 20.10 | 244.8 | 22.7 | 252.2 | 23.21 | 261.8 | 23.82 | 269.2 | 24.04 |

TC:Total Capacity(MBh)
 PI :Power Input(kW)(Comp. + Outdoor fan motor)

MULTI V WATER



Cooling Capacity(208/230V)

| Combination (%) | Inlet Water Temperature (°F) | Water Flow Rate (gpm) | Indoor Air Temperature(°F WB) | | | | | | | | | | | | | |
|-----------------|------------------------------|-----------------------|-------------------------------|-------|-------|-------|-------|-------|-------|-------|-------|-------|-------|-------|-------|-------|
| | | | 57 | | 61 | | 64 | | 67 | | 70 | | 73 | | 76 | |
| | | | TC | PI | TC | PI | TC | PI | TC | PI | TC | PI | TC | PI | TC | PI |
| 90 | 50 | 31.8 | 202.2 | 4.30 | 218.9 | 5.01 | 238.5 | 5.84 | 259.2 | 6.6 | 267.0 | 6.73 | 277.3 | 6.89 | 285.1 | 7.00 |
| | | 42.4 | 202.2 | 4.21 | 218.9 | 4.93 | 238.5 | 5.74 | 259.2 | 6.5 | 267.0 | 6.62 | 277.3 | 6.78 | 285.1 | 6.89 |
| | | 84.4 | 202.2 | 3.88 | 218.9 | 4.60 | 238.5 | 5.36 | 259.2 | 6.0 | 267.0 | 6.18 | 277.3 | 6.34 | 285.1 | 6.44 |
| | 59 | 105.6 | 202.2 | 3.78 | 218.9 | 4.50 | 238.5 | 5.25 | 259.2 | 5.9 | 267.0 | 6.07 | 277.3 | 6.22 | 285.1 | 6.28 |
| | | 31.8 | 202.2 | 5.84 | 218.9 | 6.79 | 238.5 | 7.91 | 259.2 | 8.9 | 267.0 | 9.12 | 277.3 | 9.34 | 285.1 | 9.50 |
| | | 42.4 | 202.2 | 5.72 | 218.9 | 6.68 | 238.5 | 7.78 | 259.2 | 8.8 | 267.0 | 8.97 | 277.3 | 9.19 | 285.1 | 9.35 |
| | 67 | 84.4 | 202.2 | 5.26 | 218.9 | 6.24 | 238.5 | 7.27 | 259.2 | 8.2 | 267.0 | 8.38 | 277.3 | 8.60 | 285.1 | 8.75 |
| | | 105.6 | 202.2 | 5.12 | 218.9 | 6.11 | 238.5 | 7.12 | 259.2 | 8.0 | 267.0 | 8.23 | 277.3 | 8.44 | 285.1 | 8.52 |
| | | 31.8 | 202.2 | 7.20 | 218.9 | 8.38 | 238.5 | 9.75 | 259.2 | 11.0 | 267.0 | 11.24 | 277.3 | 11.51 | 285.1 | 11.73 |
| | 75 | 42.4 | 202.2 | 7.06 | 218.9 | 8.24 | 238.5 | 9.59 | 259.2 | 10.8 | 267.0 | 11.06 | 277.3 | 11.33 | 285.1 | 11.54 |
| | | 84.4 | 202.2 | 6.49 | 218.9 | 7.70 | 238.5 | 8.97 | 259.2 | 10.1 | 267.0 | 10.34 | 277.3 | 10.61 | 285.1 | 10.80 |
| | | 105.6 | 202.2 | 6.31 | 218.9 | 7.54 | 238.5 | 8.78 | 259.2 | 9.9 | 267.0 | 10.15 | 277.3 | 10.41 | 285.1 | 10.51 |
| | 85 | 31.8 | 202.2 | 8.78 | 218.9 | 10.20 | 238.5 | 11.89 | 259.2 | 13.4 | 267.0 | 13.71 | 277.3 | 14.04 | 285.1 | 14.30 |
| | | 42.4 | 202.2 | 8.61 | 218.9 | 10.04 | 238.5 | 11.70 | 259.2 | 13.2 | 267.0 | 13.49 | 277.3 | 13.82 | 285.1 | 14.07 |
| | | 84.4 | 202.2 | 7.92 | 218.9 | 9.39 | 238.5 | 10.94 | 259.2 | 12.3 | 267.0 | 12.61 | 277.3 | 12.93 | 285.1 | 13.17 |
| | 95 | 105.6 | 202.2 | 7.70 | 218.9 | 9.19 | 238.5 | 10.71 | 259.2 | 12.1 | 267.0 | 12.38 | 277.3 | 12.69 | 285.1 | 12.82 |
| | | 31.8 | 202.2 | 10.80 | 218.9 | 12.55 | 238.5 | 14.63 | 259.2 | 16.5 | 267.0 | 16.86 | 277.3 | 17.28 | 285.1 | 17.58 |
| | | 42.4 | 202.2 | 10.59 | 218.9 | 12.35 | 238.5 | 14.39 | 259.2 | 16.2 | 267.0 | 16.59 | 277.3 | 17.00 | 285.1 | 17.30 |
| | 104 | 84.4 | 202.2 | 9.74 | 218.9 | 11.55 | 238.5 | 13.45 | 259.2 | 15.2 | 267.0 | 15.51 | 277.3 | 15.91 | 285.1 | 16.20 |
| | | 105.6 | 202.2 | 9.47 | 218.9 | 11.30 | 238.5 | 13.18 | 259.2 | 14.9 | 267.0 | 15.22 | 277.3 | 15.61 | 285.1 | 15.77 |
| | | 31.8 | 196.6 | 11.65 | 212.9 | 13.55 | 231.8 | 15.78 | 252.0 | 17.8 | 259.6 | 18.20 | 269.6 | 18.64 | 277.2 | 18.97 |
| | 113 | 42.4 | 196.6 | 11.42 | 212.9 | 13.33 | 231.8 | 15.52 | 252.0 | 17.5 | 259.6 | 17.90 | 269.6 | 18.34 | 277.2 | 18.67 |
| | | 84.4 | 196.6 | 10.51 | 212.9 | 12.46 | 231.8 | 14.51 | 252.0 | 16.3 | 259.6 | 16.73 | 269.6 | 17.16 | 277.2 | 17.47 |
| | | 105.6 | 196.6 | 10.22 | 212.9 | 12.19 | 231.8 | 14.22 | 252.0 | 16.0 | 259.6 | 16.42 | 269.6 | 16.84 | 277.2 | 17.01 |
| 90 | 31.8 | 190.9 | 13.39 | 206.8 | 15.56 | 225.2 | 18.12 | 244.8 | 20.4 | 252.1 | 20.90 | 261.9 | 21.41 | 269.3 | 21.80 | |
| | 42.4 | 190.9 | 13.12 | 206.8 | 15.31 | 225.2 | 17.83 | 244.8 | 20.1 | 252.1 | 20.56 | 261.9 | 21.07 | 269.3 | 21.45 | |
| | 84.4 | 190.9 | 12.07 | 206.8 | 14.31 | 225.2 | 16.67 | 244.8 | 18.8 | 252.1 | 19.22 | 261.9 | 19.72 | 269.3 | 20.07 | |
| 104 | 105.6 | 190.9 | 11.74 | 206.8 | 14.01 | 225.2 | 16.33 | 244.8 | 18.4 | 252.1 | 18.87 | 261.9 | 19.35 | 269.3 | 19.54 | |
| | 31.8 | 185.2 | 15.12 | 200.7 | 17.58 | 218.6 | 20.47 | 237.6 | 23.0 | 244.6 | 23.60 | 254.2 | 24.18 | 261.4 | 24.62 | |
| | 42.4 | 185.2 | 14.82 | 200.7 | 17.29 | 218.6 | 20.14 | 237.6 | 22.7 | 244.6 | 23.22 | 254.2 | 23.80 | 261.4 | 24.23 | |
| 113 | 84.4 | 185.2 | 13.63 | 200.7 | 16.16 | 218.6 | 18.83 | 237.6 | 21.2 | 244.6 | 21.71 | 254.2 | 22.28 | 261.4 | 22.67 | |
| | 105.6 | 185.2 | 13.26 | 200.7 | 15.83 | 218.6 | 18.44 | 237.6 | 20.8 | 244.6 | 21.32 | 254.2 | 21.86 | 261.4 | 22.07 | |
| | 31.8 | 179.7 | 3.61 | 194.6 | 4.21 | 212.0 | 4.89 | 230.4 | 5.5 | 237.3 | 5.64 | 246.5 | 5.76 | 253.4 | 5.87 | |
| 50 | 42.4 | 179.7 | 3.54 | 194.6 | 4.14 | 212.0 | 4.81 | 230.4 | 5.4 | 237.3 | 5.55 | 246.5 | 5.68 | 253.4 | 5.78 | |
| | 84.4 | 179.7 | 3.25 | 194.6 | 3.86 | 212.0 | 4.50 | 230.4 | 5.0 | 237.3 | 5.19 | 246.5 | 5.32 | 253.4 | 5.42 | |
| | 105.6 | 179.7 | 3.17 | 194.6 | 3.77 | 212.0 | 4.41 | 230.4 | 5.0 | 237.3 | 5.09 | 246.5 | 5.21 | 253.4 | 5.28 | |
| 59 | 31.8 | 179.7 | 4.90 | 194.6 | 5.69 | 212.0 | 6.63 | 230.4 | 7.5 | 237.3 | 7.64 | 246.5 | 7.82 | 253.4 | 7.97 | |
| | 42.4 | 179.7 | 4.80 | 194.6 | 5.60 | 212.0 | 6.52 | 230.4 | 7.3 | 237.3 | 7.52 | 246.5 | 7.70 | 253.4 | 7.84 | |
| | 84.4 | 179.7 | 4.41 | 194.6 | 5.23 | 212.0 | 6.10 | 230.4 | 6.9 | 237.3 | 7.03 | 246.5 | 7.21 | 253.4 | 7.34 | |
| 67 | 105.6 | 179.7 | 4.29 | 194.6 | 5.12 | 212.0 | 5.97 | 230.4 | 6.7 | 237.3 | 6.80 | 246.5 | 7.07 | 253.4 | 7.15 | |
| | 31.8 | 179.7 | 6.04 | 194.6 | 7.01 | 212.0 | 8.17 | 230.4 | 9.2 | 237.3 | 9.42 | 246.5 | 9.65 | 253.4 | 9.83 | |
| | 42.4 | 179.7 | 5.92 | 194.6 | 6.90 | 212.0 | 8.04 | 230.4 | 9.1 | 237.3 | 9.27 | 246.5 | 9.50 | 253.4 | 9.67 | |
| 75 | 84.4 | 179.7 | 5.44 | 194.6 | 6.45 | 212.0 | 7.52 | 230.4 | 8.5 | 237.3 | 8.67 | 246.5 | 8.89 | 253.4 | 9.05 | |
| | 105.6 | 179.7 | 5.29 | 194.6 | 6.32 | 212.0 | 7.36 | 230.4 | 8.3 | 237.3 | 8.51 | 246.5 | 8.72 | 253.4 | 8.81 | |
| | 31.8 | 179.7 | 7.37 | 194.6 | 8.56 | 212.0 | 9.97 | 230.4 | 11.2 | 237.3 | 11.50 | 246.5 | 11.77 | 253.4 | 11.98 | |
| 85 | 42.4 | 179.7 | 7.22 | 194.6 | 8.42 | 212.0 | 9.81 | 230.4 | 11.0 | 237.3 | 11.31 | 246.5 | 11.58 | 253.4 | 11.79 | |
| | 84.4 | 179.7 | 6.64 | 194.6 | 7.87 | 212.0 | 9.17 | 230.4 | 10.3 | 237.3 | 10.57 | 246.5 | 10.84 | 253.4 | 11.04 | |
| | 105.6 | 179.7 | 6.45 | 194.6 | 7.70 | 212.0 | 8.98 | 230.4 | 10.1 | 237.3 | 10.37 | 246.5 | 10.64 | 253.4 | 10.75 | |
| 95 | 31.8 | 179.7 | 9.06 | 194.6 | 10.52 | 212.0 | 12.26 | 230.4 | 13.8 | 237.3 | 14.14 | 246.5 | 14.48 | 253.4 | 14.74 | |
| | 42.4 | 179.7 | 8.88 | 194.6 | 10.35 | 212.0 | 12.06 | 230.4 | 13.6 | 237.3 | 13.91 | 246.5 | 14.25 | 253.4 | 14.51 | |
| | 84.4 | 179.7 | 8.16 | 194.6 | 9.68 | 212.0 | 11.28 | 230.4 | 12.7 | 237.3 | 13.00 | 246.5 | 13.34 | 253.4 | 13.58 | |
| 104 | 105.6 | 179.7 | 7.94 | 194.6 | 9.47 | 212.0 | 11.05 | 230.4 | 12.5 | 237.3 | 12.76 | 246.5 | 13.09 | 253.4 | 13.22 | |
| | 31.8 | 179.7 | 10.06 | 194.6 | 11.70 | 212.0 | 13.62 | 230.4 | 15.3 | 237.3 | 15.70 | 246.5 | 16.09 | 253.4 | 16.38 | |
| | 42.4 | 179.7 | 9.86 | 194.6 | 11.51 | 212.0 | 13.40 | 230.4 | 15.1 | 237.3 | 15.45 | 246.5 | 15.83 | 253.4 | 16.12 | |
| 113 | 84.4 | 179.7 | 9.07 | 194.6 | 10.76 | 212.0 | 12.53 | 230.4 | 14.1 | 237.3 | 14.45 | 246.5 | 14.82 | 253.4 | 15.08 | |
| | 105.6 | 179.7 | 8.82 | 194.6 | 10.53 | 212.0 | 12.27 | 230.4 | 13.8 | 237.3 | 14.18 | 246.5 | 14.54 | 253.4 | 14.69 | |
| | 31.8 | 179.7 | 11.92 | 194.6 | 13.84 | 212.0 | 16.13 | 230.4 | 18.2 | 237.3 | 18.60 | 246.5 | 19.05 | 253.4 | 19.40 | |
| 90 | 42.4 | 179.7 | 11.68 | 194.6 | 13.62 | 212.0 | 15.87 | 230.4 | 17.9 | 237.3 | 18.30 | 246.5 | 18.75 | 253.4 | 19.09 | |
| | 84.4 | 179.7 | 10.74 | 194.6 | 12.74 | 212.0 | 14.84 | 230.4 | 16.7 | 237.3 | 17.11 | 246.5 | 17.55 | 253.4 | 17.86 | |
| | 105.6 | 179.7 | 10.45 | 194.6 | 12.47 | 212.0 | 14.53 | 230.4 | 16.4 | 237.3 | 16.79 | 246.5 | 17.22 | 253.4 | 17.39 | |
| 90 | 31.8 | 179.7 | 13.78 | 194.6 | 15.99 | 212.0 | 18.64 | 230.4 | 21.0 | 237.3 | 21.50 | 246.5 | 22.02 | 253.4 | 22.42 | |
| | 42.4 | 179.7 | 13.50 | 194.6 | 15.73 | 212.0 | 18.34 | 230.4 | 20.7 | 237.3 | 21.15 | 246.5 | 21.67 | 253.4 | 22.06 | |
| | 84.4 | 179.7 | 12.41 | 194.6 | 14.72 | 212.0 | 17.15 | 230.4 | 19.3 | 237.3 | 19.77 | 246.5 | 20.28 | 253.4 | 20.64 | |
| 90 | 105.6 | 179.7 | 12.08 | 194.6 | 14.41 | 212.0 | 16.79 | 230.4 | 18.9 | 237.3 | 19.40 | 246.5 | 19.90 | 253.4 | 20.09 | |

TC:Total Capacity(MBh)
PI :Power Input(kW)(Comp. + Outdoor fan motor)



Cooling Capacity(208/230V)

| Combination (%) | Inlet Water Temperature (°F) | Water Flow Rate (gpm) | Indoor Air Temperature(°F WB) | | | | | | | | | | | | | |
|-----------------|------------------------------|-----------------------|-------------------------------|-------|-------|-------|-------|-------|-------|-------|-------|-------|-------|-------|-------|-------|
| | | | 57 | | 61 | | 64 | | 67 | | 70 | | 73 | | 76 | |
| | | | TC | PI | TC | PI | TC | PI | TC | PI | TC | PI | TC | PI | TC | PI |
| 70 | 50 | 31.8 | 157.2 | 3.00 | 170.3 | 3.48 | 185.5 | 4.05 | 201.6 | 4.6 | 207.6 | 4.69 | 215.7 | 4.79 | 221.8 | 4.89 |
| | | 42.4 | 157.2 | 2.94 | 170.3 | 3.42 | 185.5 | 3.99 | 201.6 | 4.5 | 207.6 | 4.61 | 215.7 | 4.71 | 221.8 | 4.81 |
| | | 84.4 | 157.2 | 2.70 | 170.3 | 3.20 | 185.5 | 3.74 | 201.6 | 4.2 | 207.6 | 4.30 | 215.7 | 4.42 | 221.8 | 4.50 |
| | 59 | 105.6 | 157.2 | 2.64 | 170.3 | 3.15 | 185.5 | 3.66 | 201.6 | 4.1 | 207.6 | 4.22 | 215.7 | 4.34 | 221.8 | 4.38 |
| | | 31.8 | 157.2 | 4.07 | 170.3 | 4.73 | 185.5 | 5.51 | 201.6 | 6.2 | 207.6 | 6.35 | 215.7 | 6.50 | 221.8 | 6.63 |
| | | 42.4 | 157.2 | 3.99 | 170.3 | 4.65 | 185.5 | 5.42 | 201.6 | 6.1 | 207.6 | 6.25 | 215.7 | 6.40 | 221.8 | 6.52 |
| | 67 | 84.4 | 157.2 | 3.67 | 170.3 | 4.35 | 185.5 | 5.07 | 201.6 | 5.7 | 207.6 | 5.84 | 215.7 | 5.99 | 221.8 | 6.10 |
| | | 105.6 | 157.2 | 3.57 | 170.3 | 4.26 | 185.5 | 4.96 | 201.6 | 5.6 | 207.6 | 5.73 | 215.7 | 5.88 | 221.8 | 5.94 |
| | | 31.8 | 157.2 | 5.02 | 170.3 | 5.83 | 185.5 | 6.80 | 201.6 | 7.7 | 207.6 | 7.84 | 215.7 | 8.03 | 221.8 | 8.17 |
| | 75 | 42.4 | 157.2 | 4.92 | 170.3 | 5.74 | 185.5 | 6.69 | 201.6 | 7.5 | 207.6 | 7.71 | 215.7 | 7.90 | 221.8 | 8.04 |
| | | 84.4 | 157.2 | 4.53 | 170.3 | 5.37 | 185.5 | 6.25 | 201.6 | 7.0 | 207.6 | 7.21 | 215.7 | 7.39 | 221.8 | 7.52 |
| | | 105.6 | 157.2 | 4.40 | 170.3 | 5.25 | 185.5 | 6.12 | 201.6 | 6.9 | 207.6 | 7.07 | 215.7 | 7.25 | 221.8 | 7.33 |
| | 85 | 31.8 | 157.2 | 6.12 | 170.3 | 7.12 | 185.5 | 8.28 | 201.6 | 9.3 | 207.6 | 9.55 | 215.7 | 9.79 | 221.8 | 9.96 |
| | | 42.4 | 157.2 | 6.00 | 170.3 | 7.00 | 185.5 | 8.15 | 201.6 | 9.2 | 207.6 | 9.40 | 215.7 | 9.63 | 221.8 | 9.80 |
| | | 84.4 | 157.2 | 5.52 | 170.3 | 6.54 | 185.5 | 7.62 | 201.6 | 8.6 | 207.6 | 8.79 | 215.7 | 9.01 | 221.8 | 9.18 |
| | 95 | 105.6 | 157.2 | 5.37 | 170.3 | 6.40 | 185.5 | 7.47 | 201.6 | 8.4 | 207.6 | 8.63 | 215.7 | 8.85 | 221.8 | 8.94 |
| | | 31.8 | 157.2 | 7.53 | 170.3 | 8.75 | 185.5 | 10.19 | 201.6 | 11.5 | 207.6 | 11.75 | 215.7 | 12.04 | 221.8 | 12.25 |
| | | 42.4 | 157.2 | 7.38 | 170.3 | 8.61 | 185.5 | 10.03 | 201.6 | 11.3 | 207.6 | 11.56 | 215.7 | 11.85 | 221.8 | 12.06 |
| | 104 | 84.4 | 157.2 | 6.79 | 170.3 | 8.05 | 185.5 | 9.38 | 201.6 | 10.6 | 207.6 | 10.81 | 215.7 | 11.09 | 221.8 | 11.29 |
| | | 105.6 | 157.2 | 6.60 | 170.3 | 7.88 | 185.5 | 9.18 | 201.6 | 10.4 | 207.6 | 10.61 | 215.7 | 10.88 | 221.8 | 10.99 |
| | | 31.8 | 157.2 | 8.37 | 170.3 | 9.73 | 185.5 | 11.32 | 201.6 | 12.8 | 207.6 | 13.06 | 215.7 | 13.37 | 221.8 | 13.62 |
| | 113 | 42.4 | 157.2 | 8.20 | 170.3 | 9.57 | 185.5 | 11.14 | 201.6 | 12.6 | 207.6 | 12.85 | 215.7 | 13.16 | 221.8 | 13.40 |
| | | 84.4 | 157.2 | 7.54 | 170.3 | 8.94 | 185.5 | 10.42 | 201.6 | 11.7 | 207.6 | 12.01 | 215.7 | 12.32 | 221.8 | 12.54 |
| | | 105.6 | 157.2 | 7.33 | 170.3 | 8.75 | 185.5 | 10.20 | 201.6 | 11.5 | 207.6 | 11.79 | 215.7 | 12.09 | 221.8 | 12.21 |
| | 70 | 31.8 | 157.2 | 9.91 | 170.3 | 11.52 | 185.5 | 13.40 | 201.6 | 15.1 | 207.6 | 15.46 | 215.7 | 15.84 | 221.8 | 16.13 |
| | | 42.4 | 157.2 | 9.71 | 170.3 | 11.33 | 185.5 | 13.19 | 201.6 | 14.9 | 207.6 | 15.21 | 215.7 | 15.59 | 221.8 | 15.87 |
| | | 84.4 | 157.2 | 8.93 | 170.3 | 10.59 | 185.5 | 12.34 | 201.6 | 13.9 | 207.6 | 14.22 | 215.7 | 14.59 | 221.8 | 14.85 |
| | 80 | 105.6 | 157.2 | 8.68 | 170.3 | 10.36 | 185.5 | 12.08 | 201.6 | 13.6 | 207.6 | 13.96 | 215.7 | 14.32 | 221.8 | 14.46 |
| | | 31.8 | 157.2 | 11.45 | 170.3 | 13.30 | 185.5 | 15.49 | 201.6 | 17.5 | 207.6 | 17.86 | 215.7 | 18.31 | 221.8 | 18.64 |
| | | 42.4 | 157.2 | 11.22 | 170.3 | 13.09 | 185.5 | 15.24 | 201.6 | 17.2 | 207.6 | 17.57 | 215.7 | 18.02 | 221.8 | 18.34 |
| | 90 | 84.4 | 157.2 | 10.32 | 170.3 | 12.24 | 185.5 | 14.26 | 201.6 | 16.1 | 207.6 | 16.43 | 215.7 | 16.86 | 221.8 | 17.16 |
| | | 105.6 | 157.2 | 10.03 | 170.3 | 11.97 | 185.5 | 13.96 | 201.6 | 15.7 | 207.6 | 16.13 | 215.7 | 16.55 | 221.8 | 16.71 |
| | | 31.8 | 157.2 | 14.45 | 170.3 | 16.73 | 185.5 | 19.54 | 201.6 | 22.2 | 207.6 | 22.57 | 215.7 | 23.02 | 221.8 | 23.34 |
| | 100 | 42.4 | 157.2 | 14.16 | 170.3 | 16.42 | 185.5 | 19.24 | 201.6 | 21.8 | 207.6 | 22.13 | 215.7 | 22.58 | 221.8 | 22.90 |
| | | 84.4 | 157.2 | 13.48 | 170.3 | 15.74 | 185.5 | 18.56 | 201.6 | 21.1 | 207.6 | 21.42 | 215.7 | 21.87 | 221.8 | 22.19 |
| | | 105.6 | 157.2 | 13.19 | 170.3 | 15.45 | 185.5 | 18.25 | 201.6 | 20.8 | 207.6 | 21.07 | 215.7 | 21.52 | 221.8 | 21.84 |
| 110 | 31.8 | 157.2 | 16.73 | 170.3 | 19.54 | 185.5 | 22.49 | 201.6 | 25.3 | 207.6 | 25.63 | 215.7 | 26.08 | 221.8 | 26.40 | |
| | 42.4 | 157.2 | 16.44 | 170.3 | 19.23 | 185.5 | 22.18 | 201.6 | 24.9 | 207.6 | 25.13 | 215.7 | 25.58 | 221.8 | 25.90 | |
| | 84.4 | 157.2 | 15.76 | 170.3 | 18.56 | 185.5 | 21.50 | 201.6 | 24.2 | 207.6 | 24.46 | 215.7 | 24.91 | 221.8 | 25.23 | |
| 120 | 105.6 | 157.2 | 15.47 | 170.3 | 18.25 | 185.5 | 21.19 | 201.6 | 23.9 | 207.6 | 24.15 | 215.7 | 24.60 | 221.8 | 24.92 | |
| | 31.8 | 157.2 | 18.30 | 170.3 | 21.49 | 185.5 | 24.54 | 201.6 | 27.4 | 207.6 | 27.63 | 215.7 | 28.08 | 221.8 | 28.40 | |
| | 42.4 | 157.2 | 18.01 | 170.3 | 21.18 | 185.5 | 24.23 | 201.6 | 27.0 | 207.6 | 27.19 | 215.7 | 27.64 | 221.8 | 27.96 | |
| 130 | 84.4 | 157.2 | 17.33 | 170.3 | 20.50 | 185.5 | 23.55 | 201.6 | 26.4 | 207.6 | 26.59 | 215.7 | 27.04 | 221.8 | 27.36 | |
| | 105.6 | 157.2 | 17.04 | 170.3 | 20.19 | 185.5 | 23.24 | 201.6 | 26.0 | 207.6 | 26.15 | 215.7 | 26.60 | 221.8 | 26.92 | |
| | 31.8 | 157.2 | 20.87 | 170.3 | 24.49 | 185.5 | 27.94 | 201.6 | 30.8 | 207.6 | 31.03 | 215.7 | 31.48 | 221.8 | 31.80 | |
| 140 | 42.4 | 157.2 | 20.58 | 170.3 | 24.18 | 185.5 | 27.63 | 201.6 | 30.4 | 207.6 | 30.59 | 215.7 | 31.04 | 221.8 | 31.36 | |
| | 84.4 | 157.2 | 19.90 | 170.3 | 23.50 | 185.5 | 26.95 | 201.6 | 29.7 | 207.6 | 29.85 | 215.7 | 30.30 | 221.8 | 30.62 | |
| | 105.6 | 157.2 | 19.61 | 170.3 | 23.19 | 185.5 | 26.64 | 201.6 | 29.3 | 207.6 | 29.45 | 215.7 | 29.90 | 221.8 | 30.22 | |
| 150 | 31.8 | 157.2 | 23.64 | 170.3 | 27.74 | 185.5 | 31.79 | 201.6 | 34.6 | 207.6 | 34.79 | 215.7 | 35.24 | 221.8 | 35.56 | |
| | 42.4 | 157.2 | 23.35 | 170.3 | 27.43 | 185.5 | 31.48 | 201.6 | 34.2 | 207.6 | 34.35 | 215.7 | 34.80 | 221.8 | 35.12 | |
| | 84.4 | 157.2 | 22.67 | 170.3 | 26.75 | 185.5 | 30.80 | 201.6 | 33.5 | 207.6 | 33.65 | 215.7 | 34.10 | 221.8 | 34.42 | |
| 160 | 105.6 | 157.2 | 22.38 | 170.3 | 26.44 | 185.5 | 30.49 | 201.6 | 33.1 | 207.6 | 33.25 | 215.7 | 33.70 | 221.8 | 34.02 | |
| | 31.8 | 157.2 | 26.41 | 170.3 | 30.74 | 185.5 | 35.19 | 201.6 | 37.9 | 207.6 | 38.09 | 215.7 | 38.54 | 221.8 | 38.86 | |
| | 42.4 | 157.2 | 26.12 | 170.3 | 30.43 | 185.5 | 34.88 | 201.6 | 37.5 | 207.6 | 37.65 | 215.7 | 38.10 | 221.8 | 38.42 | |
| 170 | 84.4 | 157.2 | 25.44 | 170.3 | 29.75 | 185.5 | 34.20 | 201.6 | 36.8 | 207.6 | 36.95 | 215.7 | 37.40 | 221.8 | 37.72 | |
| | 105.6 | 157.2 | 25.15 | 170.3 | 29.44 | 185.5 | 33.89 | 201.6 | 36.4 | 207.6 | 36.55 | 215.7 | 37.00 | 221.8 | 37.32 | |
| | 31.8 | 157.2 | 29.48 | 170.3 | 34.09 | 185.5 | 39.59 | 201.6 | 42.3 | 207.6 | 42.39 | 215.7 | 42.84 | 221.8 | 43.16 | |
| 180 | 42.4 | 157.2 | 29.19 | 170.3 | 33.78 | 185.5 | 39.28 | 201.6 | 41.9 | 207.6 | 41.95 | 215.7 | 42.40 | 221.8 | 42.72 | |
| | 84.4 | 157.2 | 28.51 | 170.3 | 33.10 | 185.5 | 38.60 | 201.6 | 41.2 | 207.6 | 41.35 | 215.7 | 41.80 | 221.8 | 42.12 | |
| | 105.6 | 157.2 | 28.22 | 170.3 | 32.79 | 185.5 | 38.29 | 201.6 | 40.8 | 207.6 | 40.95 | 215.7 | 41.40 | 221.8 | 41.74 | |
| 190 | 31.8 | 157.2 | 32.28 | 170.3 | 36.04 | 185.5 | 40.64 | 201.6 | 43.4 | 207.6 | 43.39 | 215.7 | 43.84 | 221.8 | 44.16 | |
| | 42.4 | 157.2 | 31.99 | 170.3 | 35.73 | 185.5 | 40.33 | 201.6 | 43.0 | 207.6 | 42.95 | 215.7 | 43.40 | 221.8 | 43.72 | |
| | 84.4 | 157.2 | 31.31 | 170.3 | 35.05 | 185.5 | 39.65 | 201.6 | 42.3 | 207.6 | 42.55 | 215.7 | 43.00 | 221.8 | 43.34 | |
| 200 | 105.6 | 157.2 | 31.02 | 170.3 | 34.74 | 185.5 | 39.34 | 201.6 | 41.9 | 207.6 | 41.85 | 215.7 | 42.30 | 221.8 | 42.62 | |
| | 31.8 | 157.2 | 35.87 | 170.3 | 39.89 | 185.5 | 44.99 | 201.6 | 46.7 | 207.6 | 46.69 | 215.7 | 47.14 | 221.8 | 47.46 | |
| | 42.4 | 157.2 | 35.58 | 170.3 | 39.58 | 185.5 | 44.68 | 201.6 | 46.3 | 207.6 | 46.25 | 215.7 | 46.70 | 221.8 | 47.02 | |
| 210 | 84.4 | 157.2 | 34.90 | 170.3 | 38.90 | 185.5 | 44.00 | 201.6 | 45.6 | 207.6 | 45.55 | 215.7 | 46.00 | 221.8 | 46.32 | |
| | 105.6 | 157.2 | 34.61 | 170.3 | 38.59 | 185.5 | 43.69 | 201.6 | 45.2 | 207.6 | 45.15 | 215.7 | 45.60 | 221.8 | 45.94 | |
| | 31.8 | 157.2 | 39.54 | 170.3 | 44.24 | 185.5 | 50.24 | 201.6 | 51.0 | 207.6 | 50.99 | 215.7 | 51.44 | 221.8 | 51.76 | |
| 220 | 42.4 | 157.2 | 39.25 | 170.3 | 43.93 | 185.5 | 49.93 | 201.6 | | | | | | | | |



Cooling Capacity(208/230V)

| Combination (%) | Inlet Water Temperature (°F) | Water Flow Rate (gpm) | Indoor Air Temperature(°F WB) | | | | | | | | | | | | | |
|-----------------|------------------------------|-----------------------|-------------------------------|------|-------|------|-------|------|-------|------|-------|-------|-------|-------|-------|-------|
| | | | 57 | | 61 | | 64 | | 67 | | 70 | | 73 | | 76 | |
| | | | TC | PI | TC | PI | TC | PI | TC | PI | TC | PI | TC | PI | TC | PI |
| 50 | 50 | 31.8 | 112.3 | 1.79 | 121.6 | 2.08 | 132.5 | 2.42 | 144.0 | 2.7 | 148.3 | 2.77 | 154.1 | 2.87 | 158.4 | 2.89 |
| | | 42.4 | 112.3 | 1.75 | 121.6 | 2.05 | 132.5 | 2.38 | 144.0 | 2.7 | 148.3 | 2.73 | 154.1 | 2.82 | 158.4 | 2.85 |
| | | 84.4 | 112.3 | 1.61 | 121.6 | 1.92 | 132.5 | 2.21 | 144.0 | 2.5 | 148.3 | 2.56 | 154.1 | 2.63 | 158.4 | 2.69 |
| | | 105.6 | 112.3 | 1.56 | 121.6 | 1.87 | 132.5 | 2.17 | 144.0 | 2.5 | 148.3 | 2.52 | 154.1 | 2.59 | 158.4 | 2.60 |
| | 59 | 31.8 | 112.3 | 2.42 | 121.6 | 2.82 | 132.5 | 3.27 | 144.0 | 3.7 | 148.3 | 3.77 | 154.1 | 3.87 | 158.4 | 3.93 |
| | | 42.4 | 112.3 | 2.37 | 121.6 | 2.77 | 132.5 | 3.22 | 144.0 | 3.6 | 148.3 | 3.71 | 154.1 | 3.81 | 158.4 | 3.87 |
| | | 84.4 | 112.3 | 2.18 | 121.6 | 2.59 | 132.5 | 3.01 | 144.0 | 3.4 | 148.3 | 3.47 | 154.1 | 3.56 | 158.4 | 3.63 |
| | | 105.6 | 112.3 | 2.12 | 121.6 | 2.53 | 132.5 | 2.95 | 144.0 | 3.3 | 148.3 | 3.41 | 154.1 | 3.50 | 158.4 | 3.53 |
| | 67 | 31.8 | 112.3 | 2.98 | 121.6 | 3.47 | 132.5 | 4.03 | 144.0 | 4.5 | 148.3 | 4.66 | 154.1 | 4.77 | 158.4 | 4.86 |
| | | 42.4 | 112.3 | 2.92 | 121.6 | 3.41 | 132.5 | 3.97 | 144.0 | 4.5 | 148.3 | 4.58 | 154.1 | 4.69 | 158.4 | 4.78 |
| | | 84.4 | 112.3 | 2.69 | 121.6 | 3.19 | 132.5 | 3.72 | 144.0 | 4.2 | 148.3 | 4.28 | 154.1 | 4.39 | 158.4 | 4.47 |
| | | 105.6 | 112.3 | 2.62 | 121.6 | 3.12 | 132.5 | 3.64 | 144.0 | 4.1 | 148.3 | 4.20 | 154.1 | 4.31 | 158.4 | 4.36 |
| | 75 | 31.8 | 112.3 | 3.64 | 121.6 | 4.23 | 132.5 | 4.93 | 144.0 | 5.6 | 148.3 | 5.68 | 154.1 | 5.81 | 158.4 | 5.93 |
| | | 42.4 | 112.3 | 3.57 | 121.6 | 4.16 | 132.5 | 4.85 | 144.0 | 5.5 | 148.3 | 5.59 | 154.1 | 5.72 | 158.4 | 5.83 |
| | | 84.4 | 112.3 | 3.28 | 121.6 | 3.89 | 132.5 | 4.53 | 144.0 | 5.1 | 148.3 | 5.22 | 154.1 | 5.36 | 158.4 | 5.45 |
| | | 105.6 | 112.3 | 3.19 | 121.6 | 3.81 | 132.5 | 4.44 | 144.0 | 5.0 | 148.3 | 5.13 | 154.1 | 5.26 | 158.4 | 5.31 |
| | 85 | 31.8 | 112.3 | 4.48 | 121.6 | 5.21 | 132.5 | 6.06 | 144.0 | 6.8 | 148.3 | 6.98 | 154.1 | 7.15 | 158.4 | 7.29 |
| | | 42.4 | 112.3 | 4.39 | 121.6 | 5.12 | 132.5 | 5.96 | 144.0 | 6.7 | 148.3 | 6.87 | 154.1 | 7.04 | 158.4 | 7.17 |
| | | 84.4 | 112.3 | 4.03 | 121.6 | 4.78 | 132.5 | 5.57 | 144.0 | 6.3 | 148.3 | 6.43 | 154.1 | 6.59 | 158.4 | 6.71 |
| | | 105.6 | 112.3 | 3.92 | 121.6 | 4.68 | 132.5 | 5.46 | 144.0 | 6.2 | 148.3 | 6.31 | 154.1 | 6.47 | 158.4 | 6.53 |
| | 95 | 31.8 | 112.3 | 4.97 | 121.6 | 5.78 | 132.5 | 6.73 | 144.0 | 7.6 | 148.3 | 7.77 | 154.1 | 7.95 | 158.4 | 8.09 |
| | | 42.4 | 112.3 | 4.87 | 121.6 | 5.69 | 132.5 | 6.62 | 144.0 | 7.5 | 148.3 | 7.64 | 154.1 | 7.82 | 158.4 | 7.96 |
| | | 84.4 | 112.3 | 4.48 | 121.6 | 5.32 | 132.5 | 6.19 | 144.0 | 7.0 | 148.3 | 7.14 | 154.1 | 7.32 | 158.4 | 7.45 |
| | | 105.6 | 112.3 | 4.36 | 121.6 | 5.20 | 132.5 | 6.07 | 144.0 | 6.8 | 148.3 | 7.01 | 154.1 | 7.19 | 158.4 | 7.26 |
| | 104 | 31.8 | 112.3 | 5.89 | 121.6 | 6.84 | 132.5 | 7.97 | 144.0 | 9.0 | 148.3 | 9.19 | 154.1 | 9.41 | 158.4 | 9.58 |
| | | 42.4 | 112.3 | 5.77 | 121.6 | 6.73 | 132.5 | 7.84 | 144.0 | 8.8 | 148.3 | 9.04 | 154.1 | 9.26 | 158.4 | 9.43 |
| | | 84.4 | 112.3 | 5.31 | 121.6 | 6.30 | 132.5 | 7.33 | 144.0 | 8.3 | 148.3 | 8.45 | 154.1 | 8.67 | 158.4 | 8.83 |
| | | 105.6 | 112.3 | 5.16 | 121.6 | 6.16 | 132.5 | 7.18 | 144.0 | 8.1 | 148.3 | 8.30 | 154.1 | 8.51 | 158.4 | 8.60 |
| | 113 | 31.8 | 112.3 | 6.80 | 121.6 | 7.89 | 132.5 | 9.21 | 144.0 | 10.4 | 148.3 | 10.61 | 154.1 | 10.87 | 158.4 | 11.07 |
| | | 42.4 | 112.3 | 6.67 | 121.6 | 7.77 | 132.5 | 9.06 | 144.0 | 10.2 | 148.3 | 10.44 | 154.1 | 10.70 | 158.4 | 10.90 |
| | | 84.4 | 112.3 | 6.14 | 121.6 | 7.28 | 132.5 | 8.47 | 144.0 | 9.6 | 148.3 | 9.76 | 154.1 | 10.02 | 158.4 | 10.21 |
| | | 105.6 | 112.3 | 5.96 | 121.6 | 7.12 | 132.5 | 8.29 | 144.0 | 9.4 | 148.3 | 9.59 | 154.1 | 9.83 | 158.4 | 9.94 |

TC:Total Capacity(MBh)
 PI :Power Input(kW)(Comp. + Outdoor fan motor)

MULTI V WATER



ARWB288BA2

Heating Capacity(208/230V)

| Combination (%) | Inlet Water Temperature (°F) | Water Flow Rate (gpm) | Indoor Air temperature (°F DB) | | | | | | | | | | | |
|-----------------|------------------------------|-----------------------|--------------------------------|-------|-------|-------|-------|-------|-------|-------|-------|-------|-------|-------|
| | | | 61 | | 65 | | 68 | | 70 | | 72 | | 75 | |
| | | | TC | PI | TC | PI | TC | PI | TC | PI | TC | PI | TC | PI |
| 130 | 23 | 31.8 | 153.2 | 19.16 | 152.0 | 18.02 | 151.1 | 16.76 | 149.2 | 16.30 | 151.0 | 15.84 | 146.9 | 14.21 |
| | | 42.4 | 158.5 | 19.49 | 157.2 | 18.37 | 156.3 | 17.13 | 154.3 | 16.68 | 156.2 | 16.19 | 152.0 | 14.52 |
| | | 84.4 | 179.4 | 20.81 | 177.9 | 19.75 | 176.9 | 18.59 | 174.8 | 18.08 | 178.7 | 17.57 | 172.0 | 16.75 |
| | 32 | 105.6 | 196.2 | 22.13 | 195.5 | 21.13 | 195.4 | 20.05 | 192.9 | 19.49 | 195.2 | 18.95 | 190.0 | 16.99 |
| | | 31.8 | 273.9 | 26.20 | 267.4 | 25.39 | 261.7 | 24.57 | 256.1 | 23.88 | 257.0 | 23.21 | 245.4 | 20.81 |
| | | 42.4 | 275.5 | 26.27 | 269.0 | 25.48 | 263.3 | 24.64 | 257.6 | 23.95 | 258.5 | 23.28 | 246.9 | 20.87 |
| | 41 | 84.4 | 282.0 | 26.53 | 275.3 | 25.73 | 269.5 | 24.92 | 263.8 | 24.23 | 264.5 | 23.55 | 252.7 | 21.11 |
| | | 105.6 | 286.3 | 26.53 | 278.5 | 25.73 | 273.6 | 24.92 | 267.7 | 24.23 | 268.8 | 23.55 | 256.6 | 21.11 |
| | | 31.8 | 394.2 | 28.17 | 388.4 | 27.44 | 380.4 | 26.73 | 370.7 | 26.00 | 360.8 | 25.26 | 340.9 | 22.85 |
| | 50 | 42.4 | 395.6 | 28.29 | 389.1 | 27.57 | 380.5 | 26.87 | 370.7 | 26.13 | 360.8 | 25.39 | 340.9 | 22.77 |
| | | 84.4 | 401.2 | 28.78 | 391.9 | 28.09 | 380.7 | 27.42 | 370.7 | 26.66 | 360.8 | 25.91 | 340.9 | 23.23 |
| | | 105.6 | 403.5 | 28.98 | 393.1 | 28.28 | 380.7 | 27.62 | 370.7 | 26.85 | 360.8 | 26.10 | 340.9 | 23.40 |
| | 59 | 31.8 | 394.9 | 25.62 | 388.3 | 24.76 | 379.1 | 24.29 | 369.2 | 23.74 | 359.4 | 22.91 | 339.5 | 20.70 |
| | | 42.4 | 397.2 | 25.57 | 390.2 | 24.76 | 380.6 | 24.34 | 370.7 | 23.73 | 360.8 | 22.90 | 340.9 | 20.68 |
| | | 84.4 | 406.5 | 25.36 | 397.6 | 24.86 | 386.6 | 24.53 | 376.7 | 23.69 | 366.2 | 22.86 | 346.4 | 20.60 |
| | 68 | 105.6 | 408.6 | 25.72 | 400.2 | 25.20 | 389.1 | 24.62 | 378.7 | 23.78 | 368.7 | 23.22 | 348.4 | 21.60 |
| | | 31.8 | 395.5 | 23.08 | 388.4 | 22.09 | 377.7 | 21.86 | 367.7 | 21.48 | 358.0 | 20.56 | 338.1 | 18.73 |
| | | 42.4 | 398.8 | 22.85 | 391.4 | 22.00 | 380.7 | 21.81 | 370.7 | 21.33 | 360.8 | 20.41 | 340.9 | 18.58 |
| | 77 | 84.4 | 411.8 | 21.94 | 403.3 | 21.63 | 392.6 | 21.63 | 382.6 | 20.72 | 371.7 | 19.80 | 351.8 | 17.98 |
| | | 105.6 | 413.7 | 22.48 | 407.3 | 22.12 | 397.5 | 21.63 | 386.6 | 20.72 | 376.7 | 20.35 | 355.8 | 19.80 |
| | | 31.8 | 410.4 | 21.17 | 403.0 | 20.19 | 392.6 | 19.76 | 381.6 | 19.11 | 370.4 | 18.71 | 348.5 | 16.13 |
| | 86 | 42.4 | 413.7 | 21.02 | 406.3 | 20.17 | 395.6 | 19.74 | 384.6 | 19.19 | 373.7 | 18.83 | 351.8 | 17.98 |
| | | 84.4 | 426.7 | 20.41 | 419.2 | 20.11 | 407.5 | 19.68 | 396.6 | 19.50 | 386.6 | 19.32 | 364.7 | 17.37 |
| | | 105.6 | 428.7 | 20.41 | 422.2 | 20.11 | 412.5 | 19.80 | 400.5 | 19.50 | 389.6 | 19.32 | 367.7 | 18.46 |
| 95 | 31.8 | 433.3 | 20.19 | 422.4 | 19.59 | 412.5 | 19.27 | 404.5 | 18.97 | 395.6 | 18.66 | 372.7 | 17.45 | |
| | 42.4 | 433.3 | 20.11 | 422.4 | 19.56 | 412.5 | 19.19 | 404.5 | 18.89 | 395.6 | 18.58 | 372.7 | 17.37 | |
| | 84.4 | 433.3 | 19.80 | 422.4 | 19.44 | 412.5 | 18.89 | 404.5 | 18.58 | 395.6 | 18.28 | 372.7 | 17.06 | |
| 104 | 105.6 | 433.3 | 19.50 | 422.4 | 18.95 | 412.5 | 18.58 | 404.5 | 18.28 | 395.6 | 17.98 | 372.7 | 16.76 | |
| | 31.8 | 433.3 | 19.65 | 422.4 | 18.68 | 412.5 | 18.51 | 404.5 | 18.06 | 395.6 | 17.82 | 372.7 | 16.60 | |
| | 42.4 | 433.3 | 19.50 | 422.4 | 18.65 | 412.5 | 18.40 | 404.5 | 17.96 | 395.6 | 17.67 | 372.7 | 16.45 | |
| 113 | 84.4 | 433.3 | 18.89 | 422.4 | 18.52 | 412.5 | 17.98 | 404.5 | 17.67 | 395.6 | 17.06 | 372.7 | 15.84 | |
| | 105.6 | 433.3 | 18.58 | 422.4 | 18.04 | 412.5 | 17.67 | 404.5 | 17.37 | 395.6 | 17.06 | 372.7 | 15.84 | |
| | 31.8 | 433.3 | 18.73 | 422.4 | 18.15 | 412.5 | 17.75 | 404.5 | 17.14 | 395.6 | 16.53 | 372.7 | 15.38 | |
| 120 | 42.4 | 433.3 | 18.58 | 422.4 | 18.04 | 412.5 | 17.67 | 404.5 | 17.06 | 395.6 | 16.45 | 372.7 | 15.23 | |
| | 84.4 | 433.3 | 17.98 | 422.4 | 17.61 | 412.5 | 17.37 | 404.5 | 16.76 | 395.6 | 16.15 | 372.7 | 14.62 | |
| | 105.6 | 433.3 | 17.98 | 422.4 | 17.43 | 412.5 | 17.06 | 404.5 | 16.45 | 395.6 | 15.84 | 372.7 | 14.62 | |
| 23 | 31.8 | 433.3 | 18.13 | 422.4 | 17.54 | 412.5 | 17.21 | 404.5 | 16.60 | 395.6 | 15.99 | 372.7 | 14.47 | |
| | 42.4 | 433.3 | 17.98 | 422.4 | 17.43 | 412.5 | 17.06 | 404.5 | 16.45 | 395.6 | 15.84 | 372.7 | 14.32 | |
| | 84.4 | 433.3 | 17.37 | 422.4 | 17.00 | 412.5 | 16.45 | 404.5 | 15.84 | 395.6 | 15.23 | 372.7 | 13.71 | |
| 32 | 105.6 | 433.3 | 17.06 | 422.4 | 16.70 | 412.5 | 16.45 | 404.5 | 15.84 | 395.6 | 15.23 | 372.7 | 13.71 | |
| | 31.8 | 433.3 | 17.52 | 422.4 | 16.93 | 412.5 | 16.68 | 404.5 | 16.07 | 395.6 | 15.46 | 372.7 | 13.56 | |
| | 42.4 | 433.3 | 17.37 | 422.4 | 16.82 | 412.5 | 16.45 | 404.5 | 15.84 | 395.6 | 15.23 | 372.7 | 13.41 | |
| 41 | 84.4 | 433.3 | 16.76 | 422.4 | 16.39 | 412.5 | 15.54 | 404.5 | 14.93 | 395.6 | 14.32 | 372.7 | 12.80 | |
| | 105.6 | 433.3 | 16.15 | 422.4 | 15.96 | 412.5 | 15.84 | 404.5 | 15.23 | 395.6 | 14.62 | 372.7 | 12.80 | |
| | 31.8 | 145.7 | 19.16 | 144.4 | 18.02 | 143.7 | 16.78 | 141.9 | 16.07 | 143.1 | 15.61 | 139.2 | 13.97 | |
| 50 | 42.4 | 150.7 | 19.49 | 149.4 | 18.37 | 148.6 | 17.13 | 146.8 | 16.42 | 148.0 | 15.95 | 144.0 | 14.28 | |
| | 84.4 | 170.6 | 20.81 | 169.1 | 19.75 | 168.1 | 18.59 | 166.2 | 17.82 | 167.5 | 17.30 | 163.0 | 15.49 | |
| | 105.6 | 186.4 | 22.13 | 186.8 | 21.13 | 185.7 | 20.05 | 183.5 | 19.22 | 185.0 | 18.66 | 180.1 | 16.71 | |
| 59 | 31.8 | 260.5 | 26.20 | 254.2 | 25.39 | 248.8 | 24.57 | 243.8 | 23.54 | 243.4 | 22.86 | 232.6 | 20.47 | |
| | 42.4 | 262.0 | 26.27 | 255.7 | 25.46 | 250.3 | 24.64 | 245.2 | 23.61 | 244.9 | 22.93 | 234.0 | 20.53 | |
| | 84.4 | 268.1 | 26.53 | 261.7 | 25.73 | 256.1 | 24.92 | 250.9 | 23.88 | 250.7 | 23.20 | 239.5 | 20.77 | |
| 68 | 105.6 | 272.2 | 26.53 | 265.7 | 25.73 | 260.0 | 24.92 | 254.7 | 23.88 | 254.5 | 23.20 | 243.1 | 20.77 | |
| | 31.8 | 375.6 | 28.17 | 369.6 | 27.44 | 361.5 | 26.73 | 352.8 | 25.62 | 341.9 | 24.88 | 323.0 | 22.27 | |
| | 42.4 | 376.9 | 28.29 | 370.3 | 27.57 | 361.6 | 26.87 | 352.8 | 25.75 | 341.9 | 25.01 | 323.0 | 22.39 | |
| 77 | 84.4 | 382.2 | 28.78 | 373.0 | 28.09 | 361.8 | 27.42 | 352.8 | 26.28 | 341.9 | 25.52 | 323.0 | 22.85 | |
| | 105.6 | 384.4 | 28.96 | 370.9 | 28.28 | 361.8 | 27.62 | 352.8 | 26.47 | 341.9 | 25.71 | 323.0 | 23.02 | |
| | 31.8 | 376.6 | 25.31 | 369.9 | 24.60 | 360.7 | 24.07 | 351.8 | 23.36 | 341.0 | 22.57 | 322.1 | 20.32 | |
| 86 | 42.4 | 378.4 | 25.39 | 371.4 | 24.69 | 361.7 | 24.16 | 352.8 | 23.39 | 341.9 | 22.56 | 323.0 | 20.34 | |
| | 84.4 | 385.5 | 25.72 | 377.2 | 25.04 | 365.7 | 24.53 | 356.8 | 23.50 | 345.4 | 22.51 | 326.5 | 20.41 | |
| | 105.6 | 387.6 | 25.63 | 376.0 | 25.05 | 367.2 | 24.62 | 358.3 | 23.59 | 346.9 | 22.60 | 328.0 | 21.10 | |
| 95 | 31.8 | 377.8 | 22.43 | 370.3 | 21.76 | 359.8 | 21.40 | 350.8 | 21.10 | 340.2 | 20.26 | 321.2 | 18.36 | |
| | 42.4 | 380.0 | 22.48 | 372.5 | 21.81 | 361.8 | 21.45 | 352.8 | 21.02 | 341.9 | 20.11 | 323.0 | 18.26 | |
| | 84.4 | 388.9 | 22.67 | 381.4 | 22.00 | 369.7 | 21.63 | 360.8 | 20.72 | 348.8 | 19.50 | 330.0 | 17.98 | |
| 104 | 105.6 | 390.9 | 22.30 | 381.2 | 21.81 | 372.7 | 21.63 | 363.8 | 20.72 | 351.8 | 19.50 | 332.9 | 19.19 | |
| | 31.8 | 388.4 | 20.17 | 381.1 | 19.30 | 369.7 | 18.81 | 359.6 | 18.50 | 347.5 | 18.30 | 329.0 | 17.37 | |
| | 42.4 | 390.9 | 20.17 | 383.4 | 19.38 | 371.7 | 18.89 | 361.8 | 18.58 | 349.8 | 18.28 | 331.0 | 17.31 | |
| 113 | 84.4 | 400.8 | 20.17 | 392.4 | 19.68 | 379.7 | 19.19 | 370.7 | 18.89 | 358.8 | 18.22 | 336.9 | 17.06 | |
| | 105.6 | 402.8 | 19.99 | 392.1 | 19.50 | 382.6 | 19.19 | 372.7 | 18.89 | 360.8 | 18.28 | 340.9 | 17.67 | |

TC : Total Capacity (MBh), PI : Power Input (kW)

* is used an anti freeze



Heating Capacity(208/230V)

| Combination (%) | Inlet Water Temperature (°C) | Water Flow Rate (gpm) | Indoor Air temperature (°F DB) | | | | | | | | | | | | |
|-----------------|------------------------------|-----------------------|--------------------------------|-------|-------|-------|-------|-------|-------|-------|-------|-------|-------|-------|-------|
| | | | 61 | | 65 | | 68 | | 70 | | 72 | | 75 | | |
| | | | TC | PI | TC | PI | TC | PI | TC | PI | TC | PI | TC | PI | |
| 120 | 77 | 31.8 | 407.2 | 19.09 | 395.6 | 16.19 | 382.6 | 17.82 | 374.7 | 17.45 | 364.7 | 17.14 | 344.9 | 15.92 | |
| | | 42.4 | 407.5 | 19.01 | 395.6 | 16.16 | 382.6 | 17.79 | 374.7 | 17.37 | 364.7 | 17.06 | 344.9 | 15.84 | |
| | | 84.4 | 408.5 | 18.71 | 395.6 | 16.04 | 382.6 | 17.67 | 374.7 | 17.06 | 364.7 | 16.76 | 344.9 | 15.54 | |
| | 86 | 105.6 | 409.5 | 18.04 | 395.6 | 17.55 | 382.6 | 17.37 | 374.7 | 17.06 | 364.7 | 16.45 | 344.9 | 15.54 | |
| | | 31.8 | 409.5 | 18.25 | 395.6 | 17.35 | 382.6 | 16.84 | 374.7 | 16.23 | 364.7 | 15.99 | 344.9 | 14.70 | |
| | | 42.4 | 409.5 | 18.10 | 395.6 | 17.24 | 382.6 | 16.76 | 374.7 | 16.15 | 364.7 | 15.84 | 344.9 | 14.62 | |
| | 95 | 84.4 | 409.5 | 17.49 | 395.6 | 16.82 | 382.6 | 16.45 | 374.7 | 15.84 | 364.7 | 15.23 | 344.9 | 14.32 | |
| | | 105.6 | 409.5 | 16.94 | 395.6 | 16.45 | 382.6 | 16.15 | 374.7 | 15.84 | 364.7 | 15.23 | 344.9 | 14.01 | |
| | | 31.8 | 409.5 | 17.43 | 395.6 | 16.48 | 382.6 | 15.99 | 374.7 | 15.38 | 364.7 | 14.77 | 344.9 | 13.49 | |
| | 104 | 42.4 | 409.5 | 17.18 | 395.6 | 16.33 | 382.6 | 15.84 | 374.7 | 15.23 | 364.7 | 14.62 | 344.9 | 13.41 | |
| | | 84.4 | 409.5 | 16.21 | 395.6 | 15.72 | 382.6 | 15.23 | 374.7 | 14.62 | 364.7 | 14.01 | 344.9 | 13.10 | |
| | | 105.6 | 409.5 | 16.03 | 395.6 | 15.60 | 382.6 | 15.23 | 374.7 | 14.62 | 364.7 | 14.01 | 344.9 | 12.80 | |
| | 113 | 31.8 | 409.5 | 16.89 | 395.6 | 15.72 | 382.6 | 15.08 | 374.7 | 14.47 | 364.7 | 13.86 | 344.9 | 12.57 | |
| | | 42.4 | 409.5 | 16.57 | 395.6 | 15.54 | 382.6 | 14.93 | 374.7 | 14.32 | 364.7 | 13.71 | 344.9 | 12.49 | |
| | | 84.4 | 409.5 | 15.29 | 395.6 | 14.81 | 382.6 | 14.32 | 374.7 | 13.71 | 364.7 | 13.10 | 344.9 | 12.19 | |
| | 110 | 23 | 105.6 | 409.5 | 15.11 | 395.6 | 14.62 | 382.6 | 14.32 | 374.7 | 13.71 | 364.7 | 13.10 | 344.9 | 11.88 |
| | | | 31.8 | 409.5 | 16.36 | 395.6 | 14.97 | 382.6 | 14.16 | 374.7 | 13.56 | 364.7 | 12.95 | 344.9 | 11.66 |
| | | | 42.4 | 409.5 | 15.96 | 395.6 | 14.75 | 382.6 | 14.01 | 374.7 | 13.41 | 364.7 | 12.80 | 344.9 | 11.58 |
| | | 32 | 84.4 | 409.5 | 14.38 | 395.6 | 13.89 | 382.6 | 13.41 | 374.7 | 12.80 | 364.7 | 12.19 | 344.9 | 11.27 |
| | | | 105.6 | 409.5 | 14.20 | 395.6 | 13.65 | 382.6 | 13.41 | 374.7 | 12.80 | 364.7 | 12.19 | 344.9 | 10.97 |
| | | | 31.8 | 137.8 | 19.39 | 136.9 | 18.02 | 136.1 | 16.76 | 134.8 | 15.07 | 134.8 | 15.61 | 132.0 | 13.97 |
| | | 41 | 42.4 | 142.5 | 19.73 | 141.6 | 18.37 | 140.8 | 17.13 | 139.4 | 16.42 | 139.4 | 15.95 | 136.5 | 14.28 |
| | | | 84.4 | 161.2 | 21.06 | 160.3 | 19.75 | 159.4 | 18.59 | 157.7 | 17.82 | 157.8 | 17.30 | 154.5 | 15.49 |
| | | | 105.6 | 178.1 | 22.40 | 177.1 | 21.13 | 176.1 | 20.05 | 174.2 | 19.22 | 174.3 | 18.66 | 170.6 | 16.71 |
| 50 | | 31.8 | 246.1 | 26.54 | 241.0 | 25.39 | 235.8 | 24.57 | 231.3 | 23.54 | 226.3 | 22.86 | 220.4 | 20.47 | |
| | | 42.4 | 247.6 | 26.61 | 242.4 | 25.46 | 237.2 | 24.64 | 232.7 | 23.61 | 230.7 | 22.93 | 221.7 | 20.53 | |
| | | 84.4 | 253.4 | 26.87 | 248.1 | 25.73 | 242.8 | 24.92 | 238.2 | 23.88 | 236.1 | 23.20 | 228.9 | 20.77 | |
| 59 | | 105.6 | 257.3 | 26.87 | 251.9 | 25.73 | 246.5 | 24.92 | 241.8 | 23.88 | 239.7 | 23.20 | 230.4 | 20.77 | |
| | | 31.8 | 369.1 | 28.52 | 350.8 | 27.44 | 342.8 | 26.73 | 334.9 | 25.82 | 322.0 | 24.88 | 306.1 | 22.27 | |
| | | 42.4 | 360.4 | 28.65 | 351.5 | 27.57 | 342.7 | 26.87 | 334.9 | 25.75 | 322.0 | 25.01 | 306.1 | 22.39 | |
| 68 | | 84.4 | 365.4 | 29.16 | 354.1 | 28.09 | 342.9 | 27.42 | 334.9 | 26.28 | 322.0 | 25.52 | 306.1 | 22.85 | |
| | | 105.6 | 367.5 | 29.34 | 355.2 | 28.28 | 342.9 | 27.62 | 334.9 | 26.47 | 322.0 | 25.71 | 306.1 | 23.02 | |
| | | 31.8 | 360.5 | 25.58 | 351.7 | 24.71 | 342.3 | 24.18 | 334.4 | 23.36 | 321.5 | 22.57 | 305.7 | 20.32 | |
| 77 | | 42.4 | 361.9 | 25.63 | 352.6 | 24.78 | 342.8 | 24.25 | 334.9 | 23.39 | 322.0 | 22.56 | 306.1 | 20.34 | |
| | | 84.4 | 367.3 | 25.82 | 356.3 | 25.04 | 344.9 | 24.53 | 336.9 | 23.50 | 324.0 | 22.51 | 307.6 | 20.41 | |
| | | 105.6 | 369.4 | 25.82 | 357.9 | 25.05 | 345.9 | 24.47 | 337.4 | 23.44 | 324.5 | 22.60 | 308.6 | 20.65 | |
| 86 | | 31.8 | 361.8 | 22.64 | 352.3 | 22.00 | 341.9 | 21.63 | 333.9 | 21.10 | 321.0 | 20.26 | 305.3 | 18.36 | |
| | | 42.4 | 363.3 | 22.61 | 353.6 | 22.00 | 342.9 | 21.63 | 334.9 | 21.02 | 322.0 | 20.11 | 306.1 | 18.28 | |
| | | 84.4 | 369.3 | 22.48 | 358.6 | 22.00 | 346.9 | 21.63 | 338.9 | 20.72 | 326.0 | 19.50 | 309.1 | 17.98 | |
| 95 | 105.6 | 371.3 | 22.30 | 360.6 | 21.81 | 348.8 | 21.33 | 339.9 | 20.41 | 327.0 | 19.50 | 311.1 | 18.28 | | |
| | 31.8 | 368.3 | 19.51 | 358.4 | 19.07 | 346.9 | 18.58 | 337.6 | 18.28 | 325.0 | 17.75 | 307.8 | 16.60 | | |
| | 42.4 | 370.3 | 19.56 | 359.6 | 19.07 | 347.9 | 18.58 | 338.9 | 18.28 | 326.0 | 17.67 | 309.1 | 16.57 | | |
| 104 | 84.4 | 378.2 | 19.74 | 364.5 | 19.07 | 351.8 | 18.58 | 343.9 | 18.28 | 330.0 | 17.37 | 314.1 | 16.45 | | |
| | 105.6 | 380.2 | 19.74 | 367.5 | 19.07 | 353.8 | 18.58 | 344.9 | 17.98 | 332.0 | 17.37 | 315.1 | 16.45 | | |
| | 31.8 | 380.0 | 17.76 | 368.7 | 17.14 | 353.8 | 16.84 | 345.9 | 16.23 | 333.9 | 15.62 | 316.0 | 14.32 | | |
| 113 | 42.4 | 380.7 | 17.73 | 368.7 | 17.06 | 353.8 | 16.76 | 345.9 | 16.15 | 333.9 | 15.54 | 316.0 | 14.32 | | |
| | 84.4 | 383.6 | 17.61 | 368.7 | 16.76 | 353.8 | 16.45 | 345.9 | 15.84 | 333.9 | 15.23 | 316.0 | 14.32 | | |
| | 105.6 | 385.6 | 17.61 | 368.7 | 16.82 | 353.8 | 16.15 | 345.9 | 15.84 | 333.9 | 14.93 | 316.0 | 14.01 | | |
| 100 | 31.8 | 385.6 | 16.23 | 368.7 | 15.62 | 353.8 | 15.01 | 345.9 | 14.70 | 333.9 | 13.79 | 316.0 | 12.88 | | |
| | 42.4 | 385.6 | 16.15 | 368.7 | 15.54 | 353.8 | 14.93 | 345.9 | 14.62 | 333.9 | 13.71 | 316.0 | 12.80 | | |
| | 84.4 | 385.6 | 15.84 | 368.7 | 15.23 | 353.8 | 14.62 | 345.9 | 14.32 | 333.9 | 13.41 | 316.0 | 12.49 | | |
| 100 | 105.6 | 385.6 | 15.72 | 368.7 | 14.93 | 353.8 | 14.32 | 345.9 | 14.01 | 333.9 | 13.41 | 316.0 | 12.49 | | |
| | 31.8 | 385.6 | 15.38 | 368.7 | 14.40 | 353.8 | 13.79 | 345.9 | 13.18 | 333.9 | 12.57 | 316.0 | 11.66 | | |
| | 42.4 | 385.6 | 15.23 | 368.7 | 14.32 | 353.8 | 13.71 | 345.9 | 13.10 | 333.9 | 12.49 | 316.0 | 11.58 | | |
| 100 | 84.4 | 385.6 | 14.62 | 368.7 | 14.01 | 353.8 | 13.41 | 345.9 | 12.80 | 333.9 | 12.19 | 316.0 | 11.27 | | |
| | 105.6 | 385.6 | 14.26 | 368.7 | 13.71 | 353.8 | 13.10 | 345.9 | 12.80 | 333.9 | 12.19 | 316.0 | 11.27 | | |
| | 31.8 | 385.8 | 14.47 | 368.7 | 13.86 | 353.8 | 12.95 | 345.9 | 12.27 | 333.9 | 11.86 | 316.0 | 10.74 | | |
| 100 | 42.4 | 385.6 | 14.32 | 368.7 | 13.71 | 353.8 | 12.80 | 345.9 | 12.19 | 333.9 | 11.58 | 316.0 | 10.66 | | |
| | 84.4 | 385.6 | 13.71 | 368.7 | 13.10 | 353.8 | 12.19 | 345.9 | 11.88 | 333.9 | 11.27 | 316.0 | 10.36 | | |
| | 105.6 | 385.6 | 13.53 | 368.7 | 12.80 | 353.8 | 12.19 | 345.9 | 11.58 | 333.9 | 10.97 | 316.0 | 10.05 | | |
| 100 | 31.8 | 385.6 | 13.56 | 368.7 | 13.33 | 353.8 | 12.11 | 345.9 | 11.35 | 333.9 | 10.74 | 316.0 | 9.83 | | |
| | 42.4 | 385.6 | 13.41 | 368.7 | 13.10 | 353.8 | 11.88 | 345.9 | 11.27 | 333.9 | 10.66 | 316.0 | 9.75 | | |
| | 84.4 | 385.6 | 12.80 | 368.7 | 12.19 | 353.8 | 10.97 | 345.9 | 10.97 | 333.9 | 10.36 | 316.0 | 9.44 | | |
| 100 | 105.6 | 385.6 | 12.80 | 368.7 | 11.88 | 353.8 | 11.27 | 345.9 | 10.36 | 333.9 | 9.75 | 316.0 | 8.84 | | |
| | 31.8 | 130.2 | 19.39 | 129.5 | 18.26 | 128.7 | 16.76 | 127.5 | 16.07 | 126.5 | 15.36 | 124.2 | 13.97 | | |
| | 42.4 | 134.7 | 19.73 | 133.9 | 18.61 | 133.1 | 17.13 | 131.9 | 16.42 | 130.8 | 15.70 | 126.5 | 14.28 | | |
| 100 | 84.4 | 152.4 | 21.06 | 151.5 | 20.01 | 150.6 | 18.59 | 149.3 | 17.82 | 148.0 | 17.04 | 145.4 | 15.49 | | |
| | 105.6 | 168.3 | 22.40 | 167.3 | 21.41 | 166.4 | 20.05 | 164.9 | 19.22 | 163.5 | 18.38 | 160.7 | 16.71 | | |

TC : Total Capacity (MBh), PI : Power Input (kW)

* is used an anti freeze



Heating Capacity(208/230V)

| Combination (%) | Inlet Water Temperature (°F) | Water Flow Rate (gpm) | Indoor Air temperature (°F DB) | | | | | | | | | | | |
|-----------------|------------------------------|-----------------------|--------------------------------|-------|-------|-------|-------|-------|-------|-------|-------|-------|-------|-------|
| | | | 61 | | 65 | | 68 | | 70 | | 72 | | 75 | |
| | | | TC | PI | TC | PI | TC | PI | TC | PI | TC | PI | TC | PI |
| 100 | 32 | 31.8 | 232.6 | 26.54 | 227.7 | 25.73 | 222.8 | 24.57 | 219.0 | 23.54 | 215.2 | 22.51 | 207.6 | 20.47 |
| | | 42.4 | 234.0 | 26.61 | 229.1 | 25.80 | 224.1 | 24.64 | 220.3 | 23.61 | 216.5 | 22.58 | 208.8 | 20.53 |
| | | 84.4 | 239.5 | 26.87 | 234.5 | 26.08 | 229.4 | 24.92 | 225.5 | 23.88 | 221.5 | 22.84 | 213.7 | 20.77 |
| | 105.6 | 243.2 | 26.87 | 238.0 | 26.08 | 232.9 | 24.92 | 228.9 | 23.88 | 224.9 | 22.84 | 216.9 | 20.77 | |
| | 41 | 31.8 | 343.7 | 26.52 | 332.2 | 27.82 | 323.7 | 26.73 | 317.0 | 25.62 | 302.1 | 24.50 | 288.2 | 22.27 |
| | | 42.4 | 344.9 | 26.65 | 332.8 | 27.95 | 323.8 | 26.87 | 317.0 | 25.75 | 302.1 | 24.63 | 288.2 | 22.39 |
| | | 84.4 | 349.7 | 26.16 | 335.2 | 28.47 | 324.0 | 27.42 | 317.0 | 26.26 | 302.1 | 25.14 | 288.2 | 22.85 |
| | 50 | 105.6 | 351.7 | 29.34 | 336.2 | 28.66 | 324.0 | 27.62 | 317.0 | 26.47 | 302.1 | 25.32 | 288.2 | 23.02 |
| | | 31.8 | 345.4 | 25.51 | 333.2 | 24.95 | 323.9 | 24.16 | 317.0 | 23.36 | 302.1 | 22.19 | 288.2 | 20.32 |
| | | 42.4 | 346.3 | 25.63 | 333.7 | 25.03 | 323.9 | 24.25 | 317.0 | 23.39 | 302.1 | 22.22 | 288.2 | 20.34 |
| | 59 | 84.4 | 348.7 | 26.09 | 335.5 | 25.33 | 324.0 | 24.53 | 317.0 | 23.50 | 302.1 | 22.32 | 288.2 | 20.41 |
| | | 105.6 | 352.1 | 26.00 | 337.0 | 25.33 | 324.0 | 24.47 | 317.0 | 23.44 | 302.1 | 22.26 | 288.2 | 20.34 |
| | | 31.8 | 347.2 | 22.50 | 334.4 | 22.10 | 324.0 | 21.63 | 317.0 | 21.10 | 302.1 | 19.88 | 288.2 | 18.36 |
| | 68 | 42.4 | 347.7 | 22.61 | 334.7 | 22.12 | 324.0 | 21.63 | 317.0 | 21.02 | 302.1 | 19.80 | 288.2 | 18.28 |
| | | 84.4 | 349.7 | 23.03 | 335.7 | 22.18 | 324.0 | 21.63 | 317.0 | 20.72 | 302.1 | 19.50 | 288.2 | 17.98 |
| | | 105.6 | 352.6 | 22.67 | 337.7 | 22.00 | 324.0 | 21.33 | 317.0 | 20.41 | 302.1 | 19.19 | 288.2 | 17.67 |
| | 77 | 31.8 | 349.5 | 19.23 | 336.4 | 18.75 | 324.0 | 18.28 | 317.0 | 18.06 | 302.1 | 16.84 | 288.2 | 15.99 |
| | | 42.4 | 350.7 | 19.32 | 336.7 | 18.77 | 324.0 | 18.28 | 317.0 | 17.98 | 302.1 | 16.76 | 288.2 | 15.84 |
| | | 84.4 | 355.6 | 19.68 | 337.7 | 18.83 | 324.0 | 18.28 | 317.0 | 17.67 | 302.1 | 16.45 | 288.2 | 15.23 |
| | 86 | 105.6 | 357.6 | 19.32 | 340.7 | 18.65 | 324.0 | 17.98 | 317.0 | 17.37 | 302.1 | 16.15 | 288.2 | 14.93 |
| | | 31.8 | 353.5 | 16.80 | 341.9 | 16.30 | 324.0 | 15.62 | 317.0 | 15.01 | 302.1 | 14.09 | 288.2 | 12.80 |
| | | 42.4 | 354.8 | 16.82 | 341.9 | 16.21 | 324.0 | 15.54 | 317.0 | 14.93 | 302.1 | 14.01 | 288.2 | 12.80 |
| | 95 | 84.4 | 359.8 | 16.88 | 341.9 | 15.84 | 324.0 | 15.23 | 317.0 | 14.62 | 302.1 | 13.71 | 288.2 | 12.80 |
| | | 105.6 | 361.8 | 16.51 | 341.9 | 15.72 | 324.0 | 14.93 | 317.0 | 14.32 | 302.1 | 13.71 | 288.2 | 12.49 |
| | | 31.8 | 361.8 | 15.31 | 341.9 | 14.09 | 324.0 | 13.13 | 317.0 | 12.88 | 302.1 | 11.88 | 288.2 | 11.35 |
| | 104 | 42.4 | 361.8 | 15.23 | 341.9 | 14.01 | 324.0 | 13.10 | 317.0 | 12.80 | 302.1 | 11.88 | 288.2 | 11.27 |
| | | 84.4 | 361.8 | 14.93 | 341.9 | 13.71 | 324.0 | 12.98 | 317.0 | 12.49 | 302.1 | 11.88 | 288.2 | 10.97 |
| | | 105.6 | 361.8 | 14.62 | 341.9 | 13.71 | 324.0 | 12.80 | 317.0 | 12.49 | 302.1 | 11.58 | 288.2 | 10.97 |
| | 113 | 31.8 | 361.8 | 14.16 | 341.9 | 12.95 | 324.0 | 11.61 | 317.0 | 11.35 | 302.1 | 10.74 | 288.2 | 9.83 |
| | | 42.4 | 361.8 | 14.01 | 341.9 | 12.80 | 324.0 | 11.58 | 317.0 | 11.27 | 302.1 | 10.66 | 288.2 | 9.75 |
| | | 84.4 | 361.8 | 13.41 | 341.9 | 12.19 | 324.0 | 11.46 | 317.0 | 10.97 | 302.1 | 10.36 | 288.2 | 9.44 |
| | 133 | 105.6 | 361.8 | 13.41 | 341.9 | 12.19 | 324.0 | 11.27 | 317.0 | 10.97 | 302.1 | 10.36 | 288.2 | 9.44 |
| | | 31.8 | 361.8 | 13.25 | 341.9 | 12.03 | 324.0 | 10.39 | 317.0 | 10.13 | 302.1 | 9.52 | 288.2 | 8.92 |
| | | 42.4 | 361.8 | 13.10 | 341.9 | 11.88 | 324.0 | 10.36 | 317.0 | 10.05 | 302.1 | 9.44 | 288.2 | 8.84 |
| | 153 | 84.4 | 361.8 | 12.49 | 341.9 | 11.27 | 324.0 | 10.24 | 317.0 | 9.75 | 302.1 | 9.14 | 288.2 | 8.53 |
| | | 105.6 | 361.8 | 12.19 | 341.9 | 11.27 | 324.0 | 10.05 | 317.0 | 9.75 | 302.1 | 9.14 | 288.2 | 8.53 |
| | | 31.8 | 361.8 | 12.34 | 341.9 | 11.12 | 324.0 | 9.17 | 317.0 | 8.92 | 302.1 | 8.31 | 288.2 | 8.00 |
| | 173 | 42.4 | 361.8 | 12.19 | 341.9 | 10.97 | 324.0 | 9.14 | 317.0 | 8.84 | 302.1 | 8.23 | 288.2 | 7.92 |
| | | 84.4 | 361.8 | 11.58 | 341.9 | 10.36 | 324.0 | 9.02 | 317.0 | 8.53 | 302.1 | 7.92 | 288.2 | 7.62 |
| | | 105.6 | 361.8 | 10.97 | 341.9 | 10.36 | 324.0 | 8.84 | 317.0 | 8.53 | 302.1 | 7.92 | 288.2 | 7.62 |
| | 193 | 31.8 | 123.0 | 18.01 | 119.1 | 16.40 | 115.6 | 14.40 | 114.8 | 13.74 | 114.0 | 13.24 | 114.9 | 11.88 |
| | | 42.4 | 127.2 | 18.32 | 123.2 | 16.71 | 119.6 | 14.72 | 118.7 | 14.04 | 117.9 | 13.53 | 115.7 | 12.14 |
| | | 84.4 | 144.0 | 19.54 | 139.4 | 17.94 | 135.3 | 15.97 | 134.3 | 15.23 | 133.4 | 14.68 | 130.9 | 13.17 |
| | 213 | 105.6 | 159.1 | 20.76 | 154.0 | 19.18 | 149.5 | 17.23 | 148.4 | 16.43 | 147.4 | 15.84 | 144.6 | 14.20 |
| | | 31.8 | 219.9 | 24.52 | 209.7 | 23.01 | 200.2 | 21.11 | 197.0 | 20.13 | 193.9 | 19.40 | 188.8 | 17.40 |
| 42.4 | | 221.2 | 24.58 | 210.9 | 23.07 | 201.4 | 21.17 | 198.2 | 20.19 | 195.1 | 19.46 | 187.9 | 17.45 | |
| 233 | 84.4 | 226.5 | 24.82 | 215.8 | 23.31 | 206.2 | 21.41 | 202.8 | 20.42 | 199.7 | 19.88 | 192.3 | 17.65 | |
| | 105.6 | 229.8 | 24.82 | 219.1 | 23.31 | 209.3 | 21.41 | 205.9 | 20.42 | 202.7 | 19.88 | 195.3 | 17.65 | |
| | 31.8 | 310.7 | 26.33 | 300.9 | 24.84 | 291.1 | 22.97 | 285.2 | 21.91 | 272.3 | 21.11 | 259.4 | 18.93 | |
| 253 | 42.4 | 311.0 | 26.45 | 300.6 | 24.96 | 291.1 | 23.09 | 285.2 | 22.02 | 272.3 | 21.22 | 259.4 | 19.03 | |
| | 84.4 | 312.2 | 26.91 | 299.6 | 25.42 | 291.2 | 23.56 | 285.2 | 22.47 | 272.3 | 21.85 | 259.4 | 19.42 | |
| | 105.6 | 314.1 | 27.07 | 300.5 | 25.59 | 291.2 | 23.73 | 285.2 | 22.63 | 272.3 | 21.81 | 259.4 | 19.56 | |
| 273 | 31.8 | 312.4 | 23.23 | 301.9 | 22.12 | 291.1 | 20.82 | 285.2 | 19.98 | 272.3 | 19.16 | 259.4 | 17.28 | |
| | 42.4 | 312.3 | 23.25 | 301.5 | 22.14 | 291.1 | 20.84 | 285.2 | 20.00 | 272.3 | 19.14 | 259.4 | 17.29 | |
| | 84.4 | 311.8 | 23.32 | 299.9 | 22.22 | 291.2 | 20.92 | 285.2 | 20.07 | 272.3 | 19.05 | 259.4 | 17.33 | |
| 293 | 105.6 | 313.7 | 23.25 | 300.8 | 22.15 | 291.2 | 20.85 | 285.2 | 20.00 | 272.3 | 19.13 | 259.4 | 17.40 | |
| | 31.8 | 314.2 | 20.13 | 303.0 | 19.40 | 291.2 | 18.66 | 285.2 | 18.06 | 272.3 | 17.21 | 259.4 | 15.62 | |
| | 42.4 | 313.6 | 20.05 | 302.4 | 19.32 | 291.2 | 18.58 | 285.2 | 17.98 | 272.3 | 17.06 | 259.4 | 15.54 | |
| 313 | 84.4 | 311.3 | 19.74 | 300.1 | 19.01 | 291.2 | 18.28 | 285.2 | 17.67 | 272.3 | 16.45 | 259.4 | 15.23 | |
| | 105.6 | 313.3 | 19.44 | 301.1 | 18.71 | 291.2 | 17.98 | 285.2 | 17.37 | 272.3 | 16.45 | 259.4 | 15.23 | |
| | 31.8 | 315.9 | 17.00 | 304.0 | 16.50 | 291.2 | 15.92 | 285.2 | 15.31 | 272.3 | 14.77 | 259.4 | 13.86 | |
| 333 | 42.4 | 315.6 | 17.00 | 303.4 | 16.45 | 291.2 | 15.84 | 285.2 | 15.23 | 272.3 | 14.62 | 259.4 | 13.71 | |
| | 84.4 | 314.3 | 17.00 | 301.1 | 16.27 | 291.2 | 15.54 | 285.2 | 14.93 | 272.3 | 14.01 | 259.4 | 13.10 | |
| | 105.6 | 315.3 | 16.70 | 302.1 | 16.15 | 291.2 | 15.54 | 285.2 | 14.93 | 272.3 | 14.01 | 259.4 | 13.10 | |
| 353 | 31.8 | 321.2 | 14.84 | 308.1 | 14.04 | 291.2 | 13.49 | 285.2 | 12.80 | 272.3 | 12.27 | 259.4 | 11.35 | |
| | 42.4 | 322.0 | 14.81 | 308.1 | 14.01 | 291.2 | 13.41 | 285.2 | 12.80 | 272.3 | 12.19 | 259.4 | 11.27 | |
| | 84.4 | 325.0 | 14.68 | 308.1 | 13.89 | 291.2 | 13.10 | 285.2 | 12.80 | 272.3 | 11.88 | 259.4 | 10.97 | |
| 373 | 105.6 | 326.0 | 14.32 | 308.1 | 13.59 | 291.2 | 13.10 | 285.2 | 12.49 | 272.3 | 11.88 | 259.4 | 10.97 | |

TC : Total Capacity (MBh), PI : Power Input (kW)

* is used an anti freeze

MULTI V WATER



Heating Capacity(208/230V)

| Combination (%) | Inlet Water Temperature (°F) | Water Flow Rate (gpm) | Indoor Air temperature (°F DB) | | | | | | | | | | | |
|-----------------|------------------------------|-----------------------|--------------------------------|-------|-------|-------|-------|-------|-------|-------|-------|-------|-------|-------|
| | | | 61 | | 65 | | 68 | | 70 | | 72 | | 75 | |
| | | | TC | PI | TC | PI | TC | PI | TC | PI | TC | PI | TC | PI |
| 90 | 86 | 31.8 | 326.0 | 13.49 | 308.1 | 12.57 | 291.2 | 11.66 | 285.2 | 11.35 | 272.3 | 10.74 | 259.4 | 9.75 |
| | | 42.4 | 326.0 | 13.41 | 308.1 | 12.49 | 291.2 | 11.58 | 285.2 | 11.27 | 272.3 | 10.66 | 259.4 | 9.75 |
| | | 84.4 | 326.0 | 13.10 | 308.1 | 12.19 | 291.2 | 11.27 | 285.2 | 10.97 | 272.3 | 10.36 | 259.4 | 9.75 |
| | 95 | 105.6 | 326.0 | 12.80 | 308.1 | 11.88 | 291.2 | 11.27 | 285.2 | 10.97 | 272.3 | 10.36 | 259.4 | 9.44 |
| | | 31.8 | 326.0 | 12.27 | 308.1 | 11.35 | 291.2 | 10.44 | 285.2 | 10.13 | 272.3 | 9.52 | 259.4 | 8.92 |
| | | 42.4 | 326.0 | 12.19 | 308.1 | 11.27 | 291.2 | 10.36 | 285.2 | 10.05 | 272.3 | 9.44 | 259.4 | 8.84 |
| | 104 | 84.4 | 326.0 | 11.88 | 308.1 | 10.97 | 291.2 | 10.05 | 285.2 | 9.75 | 272.3 | 9.14 | 259.4 | 8.53 |
| | | 105.6 | 326.0 | 11.58 | 308.1 | 10.66 | 291.2 | 9.75 | 285.2 | 9.44 | 272.3 | 9.14 | 259.4 | 8.53 |
| | | 31.8 | 326.0 | 11.42 | 308.1 | 10.44 | 291.2 | 9.22 | 285.2 | 8.92 | 272.3 | 8.61 | 259.4 | 8.00 |
| | 113 | 42.4 | 326.0 | 11.27 | 308.1 | 10.36 | 291.2 | 9.14 | 285.2 | 8.84 | 272.3 | 8.53 | 259.4 | 7.92 |
| | | 84.4 | 326.0 | 10.66 | 308.1 | 10.05 | 291.2 | 8.84 | 285.2 | 8.53 | 272.3 | 8.23 | 259.4 | 7.62 |
| | | 105.6 | 326.0 | 10.66 | 308.1 | 10.05 | 291.2 | 8.84 | 285.2 | 8.53 | 272.3 | 8.23 | 259.4 | 7.62 |
| 80 | 23 | 31.8 | 326.0 | 10.59 | 308.1 | 9.52 | 291.2 | 8.00 | 285.2 | 7.70 | 272.3 | 7.70 | 259.4 | 7.09 |
| | | 42.4 | 326.0 | 10.36 | 308.1 | 9.44 | 291.2 | 7.92 | 285.2 | 7.62 | 272.3 | 7.62 | 259.4 | 7.01 |
| | | 84.4 | 326.0 | 9.44 | 308.1 | 9.14 | 291.2 | 7.62 | 285.2 | 7.31 | 272.3 | 7.31 | 259.4 | 6.70 |
| | 32 | 105.6 | 326.0 | 9.75 | 308.1 | 9.44 | 291.2 | 7.92 | 285.2 | 7.62 | 272.3 | 7.31 | 259.4 | 6.70 |
| | | 31.8 | 116.2 | 12.85 | 108.9 | 12.34 | 102.9 | 11.81 | 102.0 | 11.41 | 101.5 | 10.87 | 99.4 | 10.01 |
| | | 42.4 | 120.2 | 13.13 | 112.6 | 12.61 | 106.5 | 12.07 | 105.5 | 11.66 | 105.0 | 11.11 | 102.8 | 10.23 |
| | 41 | 84.4 | 136.1 | 14.24 | 127.4 | 13.69 | 120.6 | 13.09 | 119.3 | 12.65 | 118.8 | 12.06 | 116.4 | 11.10 |
| | | 105.6 | 150.3 | 15.36 | 140.7 | 14.76 | 133.2 | 14.12 | 131.8 | 13.65 | 131.2 | 13.01 | 128.5 | 11.97 |
| | | 31.8 | 207.8 | 18.83 | 191.6 | 18.09 | 178.3 | 17.90 | 175.1 | 16.72 | 172.7 | 15.93 | 166.0 | 14.67 |
| | 50 | 42.4 | 209.0 | 18.88 | 192.7 | 18.14 | 179.4 | 17.35 | 176.1 | 16.77 | 173.7 | 15.98 | 167.0 | 14.71 |
| | | 84.4 | 213.9 | 19.09 | 197.2 | 18.35 | 183.6 | 17.55 | 180.2 | 16.96 | 177.8 | 16.17 | 170.9 | 14.88 |
| | | 105.6 | 217.2 | 19.09 | 200.2 | 18.35 | 186.5 | 17.55 | 183.0 | 16.96 | 180.5 | 16.17 | 173.8 | 14.88 |
| 59 | 31.8 | 287.2 | 20.48 | 271.2 | 19.68 | 259.3 | 18.82 | 253.4 | 18.20 | 242.5 | 17.34 | 230.6 | 15.97 | |
| | 42.4 | 287.8 | 20.59 | 271.7 | 19.78 | 259.3 | 18.92 | 253.4 | 18.29 | 242.5 | 17.43 | 230.6 | 16.05 | |
| | 84.4 | 290.2 | 21.01 | 273.7 | 20.18 | 269.4 | 18.31 | 253.4 | 18.66 | 242.5 | 17.79 | 230.6 | 16.38 | |
| 68 | 105.6 | 290.2 | 21.16 | 273.3 | 20.33 | 259.4 | 19.45 | 253.4 | 18.80 | 242.5 | 17.92 | 230.6 | 16.49 | |
| | 31.8 | 288.7 | 18.84 | 272.2 | 17.99 | 259.3 | 17.07 | 253.4 | 16.60 | 242.5 | 15.71 | 230.6 | 14.56 | |
| | 42.4 | 289.0 | 18.82 | 272.5 | 17.98 | 259.3 | 17.08 | 253.4 | 16.61 | 242.5 | 15.72 | 230.6 | 14.57 | |
| 77 | 84.4 | 290.2 | 18.73 | 273.5 | 17.86 | 259.4 | 17.12 | 253.4 | 16.64 | 242.5 | 15.75 | 230.6 | 14.59 | |
| | 105.6 | 290.2 | 18.65 | 273.3 | 17.93 | 259.4 | 17.19 | 253.4 | 16.56 | 242.5 | 15.66 | 230.6 | 14.49 | |
| | 31.8 | 290.2 | 17.21 | 273.3 | 16.30 | 259.4 | 15.31 | 253.4 | 15.01 | 242.5 | 14.09 | 230.6 | 13.18 | |
| 86 | 42.4 | 290.2 | 17.06 | 273.3 | 16.15 | 259.4 | 15.23 | 253.4 | 14.93 | 242.5 | 14.01 | 230.6 | 13.10 | |
| | 84.4 | 290.2 | 16.45 | 273.3 | 15.54 | 259.4 | 14.93 | 253.4 | 14.62 | 242.5 | 13.71 | 230.6 | 12.80 | |
| | 105.6 | 290.2 | 16.15 | 273.3 | 15.54 | 259.4 | 14.93 | 253.4 | 14.32 | 242.5 | 13.41 | 230.6 | 12.49 | |
| 95 | 31.8 | 290.2 | 14.40 | 273.3 | 13.79 | 259.4 | 13.10 | 253.4 | 12.88 | 242.5 | 12.27 | 230.6 | 11.35 | |
| | 42.4 | 290.2 | 14.32 | 273.3 | 13.71 | 259.4 | 13.10 | 253.4 | 12.80 | 242.5 | 12.19 | 230.6 | 11.27 | |
| | 84.4 | 290.2 | 14.01 | 273.3 | 13.41 | 259.4 | 13.10 | 253.4 | 12.49 | 242.5 | 11.88 | 230.6 | 10.97 | |
| 104 | 105.6 | 290.2 | 13.71 | 273.3 | 13.10 | 259.4 | 12.80 | 253.4 | 12.49 | 242.5 | 11.58 | 230.6 | 10.97 | |
| | 31.8 | 290.2 | 12.88 | 273.3 | 11.96 | 259.4 | 11.27 | 253.4 | 11.05 | 242.5 | 10.44 | 230.6 | 9.83 | |
| | 42.4 | 290.2 | 12.80 | 273.3 | 11.88 | 259.4 | 11.27 | 253.4 | 10.97 | 242.5 | 10.36 | 230.6 | 9.75 | |
| 113 | 84.4 | 290.2 | 12.49 | 273.3 | 11.58 | 259.4 | 11.27 | 253.4 | 10.66 | 242.5 | 10.05 | 230.6 | 9.44 | |
| | 105.6 | 290.2 | 12.19 | 273.3 | 11.58 | 259.4 | 10.97 | 253.4 | 10.66 | 242.5 | 10.05 | 230.6 | 9.44 | |
| | 31.8 | 290.2 | 11.35 | 273.3 | 10.74 | 259.4 | 10.13 | 253.4 | 9.83 | 242.5 | 9.22 | 230.6 | 8.61 | |
| 70 | 42.4 | 290.2 | 10.97 | 273.3 | 10.36 | 259.4 | 10.05 | 253.4 | 9.75 | 242.5 | 9.14 | 230.6 | 8.53 | |
| | 84.4 | 290.2 | 10.97 | 273.3 | 10.36 | 259.4 | 9.75 | 253.4 | 9.44 | 242.5 | 8.84 | 230.6 | 8.23 | |
| | 105.6 | 290.2 | 10.97 | 273.3 | 10.36 | 259.4 | 9.75 | 253.4 | 9.44 | 242.5 | 8.84 | 230.6 | 8.23 | |
| 32 | 31.8 | 290.2 | 10.44 | 273.3 | 9.83 | 259.4 | 8.92 | 253.4 | 8.53 | 242.5 | 8.31 | 230.6 | 7.62 | |
| | 42.4 | 290.2 | 10.36 | 273.3 | 9.75 | 259.4 | 8.84 | 253.4 | 8.53 | 242.5 | 8.23 | 230.6 | 7.62 | |
| | 84.4 | 290.2 | 10.05 | 273.3 | 9.44 | 259.4 | 8.53 | 253.4 | 8.53 | 242.5 | 7.92 | 230.6 | 7.62 | |
| 23 | 105.6 | 290.2 | 10.05 | 273.3 | 9.14 | 259.4 | 8.53 | 253.4 | 8.23 | 242.5 | 7.92 | 230.6 | 7.31 | |
| | 31.8 | 290.2 | 9.90 | 273.3 | 8.92 | 259.4 | 7.92 | 253.4 | 8.00 | 242.5 | 7.31 | 230.6 | 7.09 | |
| | 42.4 | 290.2 | 9.75 | 273.3 | 8.84 | 259.4 | 7.92 | 253.4 | 7.92 | 242.5 | 7.31 | 230.6 | 7.01 | |
| 86 | 84.4 | 290.2 | 9.14 | 273.3 | 8.53 | 259.4 | 7.92 | 253.4 | 7.62 | 242.5 | 7.31 | 230.6 | 6.70 | |
| | 105.6 | 290.2 | 9.14 | 273.3 | 8.53 | 259.4 | 7.62 | 253.4 | 7.62 | 242.5 | 7.31 | 230.6 | 6.70 | |
| | 31.8 | 290.2 | 9.37 | 273.3 | 8.00 | 259.4 | 6.93 | 253.4 | 7.46 | 242.5 | 6.32 | 230.6 | 6.55 | |
| 95 | 42.4 | 290.2 | 9.14 | 273.3 | 7.92 | 259.4 | 7.01 | 253.4 | 7.31 | 242.5 | 6.40 | 230.6 | 6.40 | |
| | 84.4 | 290.2 | 8.23 | 273.3 | 7.62 | 259.4 | 7.31 | 253.4 | 6.70 | 242.5 | 6.70 | 230.6 | 5.79 | |
| | 105.6 | 290.2 | 8.23 | 273.3 | 7.92 | 259.4 | 6.70 | 253.4 | 7.01 | 242.5 | 6.70 | 230.6 | 6.09 | |
| 104 | 31.8 | 101.5 | 11.01 | 95.4 | 10.48 | 90.0 | 10.16 | 89.1 | 9.55 | 88.5 | 9.22 | 87.0 | 8.39 | |
| | 42.4 | 105.0 | 11.25 | 98.7 | 10.71 | 93.1 | 10.38 | 92.2 | 9.76 | 91.6 | 9.42 | 90.0 | 8.57 | |
| | 84.4 | 118.8 | 12.21 | 111.6 | 11.62 | 105.3 | 11.26 | 104.4 | 10.59 | 103.7 | 10.23 | 101.8 | 9.30 | |
| 113 | 105.6 | 131.3 | 13.17 | 123.3 | 12.53 | 116.3 | 12.14 | 115.3 | 11.42 | 114.6 | 11.03 | 112.5 | 10.03 | |
| | 31.8 | 181.4 | 16.13 | 167.8 | 15.35 | 155.9 | 14.88 | 153.1 | 13.99 | 150.8 | 13.51 | 145.3 | 12.28 | |
| | 42.4 | 182.5 | 16.18 | 168.8 | 15.40 | 156.8 | 14.92 | 154.0 | 14.03 | 151.7 | 13.55 | 146.2 | 12.32 | |
| 90 | 84.4 | 186.8 | 16.37 | 172.8 | 15.58 | 160.4 | 15.09 | 157.6 | 14.19 | 155.2 | 13.71 | 149.8 | 12.46 | |
| | 105.6 | 189.6 | 16.37 | 175.4 | 15.58 | 162.9 | 15.09 | 160.0 | 14.19 | 157.6 | 13.71 | 151.9 | 12.46 | |

TC : Total Capacity (MBh), PI : Power Input (kW)

* is used an anti freeze

MULTI V WATER II



Heating Capacity(208/230V)

| Combination (%) | Inlet Water Temperature (°F) | Water Flow Rate (gpm) | Indoor Air temperature (°F DB) | | | | | | | | | | | |
|-----------------|------------------------------|-----------------------|--------------------------------|-------|-------|-------|-------|-------|-------|-------|-------|-------|-------|-------|
| | | | 61 | | 65 | | 68 | | 70 | | 72 | | 75 | |
| | | | TC | PI | TC | PI | TC | PI | TC | PI | TC | PI | TC | PI |
| 70 | 41 | 31.8 | 250.8 | 17.56 | 237.8 | 16.70 | 226.5 | 16.18 | 221.6 | 15.22 | 211.7 | 14.70 | 201.8 | 13.37 |
| | | 42.4 | 251.3 | 17.85 | 238.1 | 16.79 | 226.5 | 16.27 | 221.6 | 15.30 | 211.7 | 14.78 | 201.8 | 13.44 |
| | | 84.4 | 253.4 | 18.01 | 239.9 | 17.14 | 226.6 | 16.61 | 221.6 | 15.61 | 211.7 | 15.08 | 201.8 | 13.71 |
| | 105.6 | 253.4 | 18.14 | 239.5 | 17.26 | 226.6 | 16.73 | 221.6 | 15.73 | 211.7 | 15.19 | 201.8 | 13.81 | |
| | 50 | 31.8 | 252.1 | 16.17 | 238.6 | 15.28 | 226.5 | 14.73 | 221.6 | 13.90 | 211.7 | 13.33 | 201.8 | 12.20 |
| | | 42.4 | 252.4 | 16.14 | 238.8 | 15.25 | 226.5 | 14.69 | 221.6 | 13.90 | 211.7 | 13.33 | 201.8 | 12.20 |
| | | 84.4 | 253.4 | 16.01 | 239.7 | 15.12 | 226.6 | 14.55 | 221.6 | 13.90 | 211.7 | 13.33 | 201.8 | 12.19 |
| | 105.6 | 253.4 | 16.08 | 239.5 | 15.18 | 226.6 | 14.61 | 221.6 | 13.96 | 211.7 | 13.23 | 201.8 | 12.24 | |
| | 59 | 31.8 | 253.4 | 14.77 | 239.5 | 13.86 | 226.6 | 13.25 | 221.6 | 12.57 | 211.7 | 11.96 | 201.8 | 11.05 |
| | | 42.4 | 253.4 | 14.62 | 239.5 | 13.71 | 226.6 | 13.10 | 221.6 | 12.49 | 211.7 | 11.88 | 201.8 | 10.97 |
| | | 84.4 | 253.4 | 14.01 | 239.5 | 13.10 | 226.6 | 12.49 | 221.6 | 12.19 | 211.7 | 11.58 | 201.8 | 10.66 |
| | 105.6 | 253.4 | 14.01 | 239.5 | 13.10 | 226.6 | 12.49 | 221.6 | 12.19 | 211.7 | 11.27 | 201.8 | 10.66 | |
| | 68 | 31.8 | 253.4 | 12.27 | 239.5 | 11.66 | 226.6 | 11.35 | 221.6 | 11.05 | 211.7 | 10.44 | 201.8 | 9.83 |
| | | 42.4 | 253.4 | 12.19 | 239.5 | 11.58 | 226.6 | 11.27 | 221.6 | 10.97 | 211.7 | 10.36 | 201.8 | 9.75 |
| | | 84.4 | 253.4 | 11.88 | 239.5 | 11.27 | 226.6 | 10.97 | 221.6 | 10.66 | 211.7 | 10.05 | 201.8 | 9.44 |
| | 105.6 | 253.4 | 11.88 | 239.5 | 11.27 | 226.6 | 10.97 | 221.6 | 10.36 | 211.7 | 10.05 | 201.8 | 9.14 | |
| | 77 | 31.8 | 253.4 | 11.05 | 239.5 | 10.44 | 226.6 | 9.83 | 221.6 | 9.52 | 211.7 | 8.84 | 201.8 | 8.23 |
| | | 42.4 | 253.4 | 10.97 | 239.5 | 10.36 | 226.6 | 9.75 | 221.6 | 9.44 | 211.7 | 8.84 | 201.8 | 8.23 |
| | | 84.4 | 253.4 | 10.66 | 239.5 | 10.05 | 226.6 | 9.44 | 221.6 | 9.14 | 211.7 | 8.84 | 201.8 | 8.23 |
| | 105.6 | 253.4 | 10.36 | 239.5 | 9.75 | 226.6 | 9.44 | 221.6 | 9.14 | 211.7 | 8.53 | 201.8 | 8.23 | |
| | 86 | 31.8 | 253.4 | 9.83 | 239.5 | 9.22 | 226.6 | 8.61 | 221.6 | 8.23 | 211.7 | 8.00 | 201.8 | 7.31 |
| | | 42.4 | 253.4 | 9.75 | 239.5 | 9.14 | 226.6 | 8.53 | 221.6 | 8.23 | 211.7 | 7.92 | 201.8 | 7.31 |
| | | 84.4 | 253.4 | 9.44 | 239.5 | 8.84 | 226.6 | 8.23 | 221.6 | 8.23 | 211.7 | 7.62 | 201.8 | 7.31 |
| | 105.6 | 253.4 | 9.44 | 239.5 | 8.84 | 226.6 | 8.23 | 221.6 | 7.92 | 211.7 | 7.62 | 201.8 | 7.31 | |
| | 95 | 31.8 | 253.4 | 8.92 | 239.5 | 8.31 | 226.6 | 7.62 | 221.6 | 7.70 | 211.7 | 7.01 | 201.8 | 6.78 |
| | | 42.4 | 253.4 | 8.84 | 239.5 | 8.23 | 226.6 | 7.62 | 221.6 | 7.62 | 211.7 | 7.01 | 201.8 | 6.78 |
| | | 84.4 | 253.4 | 8.53 | 239.5 | 7.92 | 226.6 | 7.62 | 221.6 | 7.31 | 211.7 | 7.01 | 201.8 | 6.40 |
| | 105.6 | 253.4 | 8.53 | 239.5 | 7.92 | 226.6 | 7.31 | 221.6 | 7.31 | 211.7 | 7.01 | 201.8 | 6.40 | |
| | 104 | 31.8 | 253.4 | 8.31 | 239.5 | 7.70 | 226.6 | 7.09 | 221.6 | 6.70 | 211.7 | 6.40 | 201.8 | 6.17 |
| | | 42.4 | 253.4 | 8.23 | 239.5 | 7.62 | 226.6 | 7.01 | 221.6 | 6.70 | 211.7 | 6.40 | 201.8 | 6.09 |
| | | 84.4 | 253.4 | 7.92 | 239.5 | 7.31 | 226.6 | 6.70 | 221.6 | 6.40 | 211.7 | 6.40 | 201.8 | 5.79 |
| | 105.6 | 253.4 | 7.92 | 239.5 | 7.31 | 226.6 | 6.70 | 221.6 | 6.40 | 211.7 | 6.09 | 201.8 | 5.79 | |
| | 113 | 31.8 | 253.4 | 7.70 | 239.5 | 7.09 | 226.6 | 6.55 | 221.6 | 5.71 | 211.7 | 5.79 | 201.8 | 5.56 |
| | | 42.4 | 253.4 | 7.62 | 239.5 | 7.01 | 226.6 | 6.40 | 221.6 | 5.79 | 211.7 | 5.79 | 201.8 | 5.48 |
| | | 84.4 | 253.4 | 7.31 | 239.5 | 6.70 | 226.6 | 5.79 | 221.6 | 5.09 | 211.7 | 5.79 | 201.8 | 5.18 |
| | 105.6 | 253.4 | 7.31 | 239.5 | 6.70 | 226.6 | 6.09 | 221.6 | 5.48 | 211.7 | 5.18 | 201.8 | 5.18 | |
| | 23 | 31.8 | 87.2 | 8.94 | 81.5 | 8.61 | 77.3 | 8.27 | 76.4 | 7.68 | 76.1 | 7.56 | 74.5 | 6.75 |
| | | 42.4 | 90.2 | 9.14 | 84.3 | 8.80 | 80.0 | 8.45 | 79.0 | 7.85 | 78.7 | 7.73 | 77.1 | 6.90 |
| | | 84.4 | 102.1 | 9.92 | 95.4 | 9.55 | 90.5 | 9.16 | 89.4 | 8.52 | 89.1 | 8.39 | 87.3 | 7.49 |
| | 105.6 | 112.7 | 10.70 | 105.4 | 10.30 | 100.0 | 9.88 | 98.8 | 9.19 | 98.4 | 9.05 | 96.4 | 8.08 | |
| | 32 | 31.8 | 155.8 | 13.11 | 143.4 | 12.62 | 134.0 | 12.11 | 131.1 | 11.26 | 128.5 | 11.09 | 124.6 | 9.89 |
| | | 42.4 | 156.7 | 13.15 | 144.3 | 12.66 | 134.8 | 12.15 | 131.9 | 11.29 | 130.3 | 11.12 | 125.3 | 9.92 |
| | | 84.4 | 160.4 | 13.30 | 147.7 | 12.81 | 137.9 | 12.29 | 135.0 | 11.42 | 133.4 | 11.25 | 128.2 | 10.04 |
| | 105.6 | 162.9 | 13.30 | 150.0 | 12.81 | 140.0 | 12.29 | 137.1 | 11.42 | 135.4 | 11.25 | 130.2 | 10.04 | |
| | 41 | 31.8 | 215.3 | 14.27 | 203.1 | 13.74 | 194.7 | 13.18 | 189.8 | 12.26 | 181.9 | 12.07 | 172.9 | 10.76 |
| | | 42.4 | 215.8 | 14.34 | 203.5 | 13.81 | 194.7 | 13.25 | 189.8 | 12.32 | 181.9 | 12.13 | 172.9 | 10.82 |
| | | 84.4 | 217.7 | 14.83 | 205.0 | 14.09 | 194.8 | 13.52 | 189.8 | 12.57 | 181.9 | 12.37 | 172.9 | 11.04 |
| | 105.6 | 217.7 | 14.74 | 204.7 | 14.19 | 194.8 | 13.61 | 189.8 | 12.66 | 181.9 | 12.46 | 172.9 | 11.12 | |
| 50 | 31.8 | 216.4 | 13.11 | 203.9 | 12.54 | 194.7 | 11.95 | 189.8 | 11.16 | 181.9 | 10.95 | 172.9 | 9.80 | |
| | 42.4 | 216.7 | 13.11 | 204.1 | 12.54 | 194.7 | 11.95 | 189.8 | 11.19 | 181.9 | 10.94 | 172.9 | 9.83 | |
| | 84.4 | 217.7 | 13.10 | 204.9 | 12.53 | 194.8 | 11.94 | 189.8 | 11.31 | 181.9 | 10.91 | 172.9 | 9.94 | |
| 105.6 | 217.7 | 13.16 | 204.7 | 12.43 | 194.8 | 11.83 | 189.8 | 11.20 | 181.9 | 10.80 | 172.9 | 9.83 | | |
| 59 | 31.8 | 217.7 | 11.96 | 204.7 | 11.35 | 194.8 | 10.74 | 189.8 | 10.05 | 181.9 | 9.83 | 172.9 | 8.84 | |
| | 42.4 | 217.7 | 11.88 | 204.7 | 11.27 | 194.8 | 10.66 | 189.8 | 10.05 | 181.9 | 9.75 | 172.9 | 8.84 | |
| | 84.4 | 217.7 | 11.58 | 204.7 | 10.97 | 194.8 | 10.36 | 189.8 | 10.05 | 181.9 | 9.44 | 172.9 | 8.84 | |
| 105.6 | 217.7 | 11.58 | 204.7 | 10.66 | 194.8 | 10.05 | 189.8 | 9.75 | 181.9 | 9.14 | 172.9 | 8.53 | | |
| 68 | 31.8 | 217.7 | 10.44 | 204.7 | 9.83 | 194.8 | 9.22 | 189.8 | 8.92 | 181.9 | 8.61 | 172.9 | 8.00 | |
| | 42.4 | 217.7 | 10.36 | 204.7 | 9.75 | 194.8 | 9.14 | 189.8 | 8.84 | 181.9 | 8.53 | 172.9 | 7.92 | |
| | 84.4 | 217.7 | 10.05 | 204.7 | 9.44 | 194.8 | 8.84 | 189.8 | 8.53 | 181.9 | 8.23 | 172.9 | 7.62 | |
| 105.6 | 217.7 | 10.05 | 204.7 | 9.44 | 194.8 | 8.84 | 189.8 | 8.53 | 181.9 | 8.23 | 172.9 | 7.62 | | |
| 77 | 31.8 | 217.7 | 9.22 | 204.7 | 8.61 | 194.8 | 7.92 | 189.8 | 8.00 | 181.9 | 7.31 | 172.9 | 7.09 | |
| | 42.4 | 217.7 | 9.14 | 204.7 | 8.53 | 194.8 | 7.92 | 189.8 | 7.92 | 181.9 | 7.31 | 172.9 | 7.01 | |
| | 84.4 | 217.7 | 8.84 | 204.7 | 8.23 | 194.8 | 7.92 | 189.8 | 7.62 | 181.9 | 7.31 | 172.9 | 6.70 | |
| 105.6 | 217.7 | 8.84 | 204.7 | 8.23 | 194.8 | 7.62 | 189.8 | 7.62 | 181.9 | 7.31 | 172.9 | 6.70 | | |
| 86 | 31.8 | 217.7 | 8.31 | 204.7 | 7.70 | 194.8 | 7.39 | 189.8 | 7.09 | 181.9 | 6.78 | 172.9 | 6.48 | |
| | 42.4 | 217.7 | 8.23 | 204.7 | 7.62 | 194.8 | 7.31 | 189.8 | 7.01 | 181.9 | 6.70 | 172.9 | 6.40 | |
| | 84.4 | 217.7 | 7.92 | 204.7 | 7.31 | 194.8 | 7.01 | 189.8 | 6.70 | 181.9 | 6.40 | 172.9 | 6.09 | |
| 105.6 | 217.7 | 7.92 | 204.7 | 7.31 | 194.8 | 7.01 | 189.8 | 6.70 | 181.9 | 6.40 | 172.9 | 6.09 | | |

TC : Total Capacity (MBh), PI : Power Input (kW)

* ■■■■ is used an anti freeze



Heating Capacity(208/230V)

| | Inlet Water Temperature (°F) | Water Flow Rate (gpm) | Indoor Air temperature (°F DB) | | | | | | | | | | | | |
|-----|------------------------------|-----------------------|--------------------------------|-------|-------|-------|-------|-------|-------|-------|-------|-------|-------|-------|------|
| | | | 61 | | 65 | | 68 | | 70 | | 72 | | 75 | | |
| | | | TC | PI | TC | PI | TC | PI | TC | PI | TC | PI | TC | PI | |
| 60 | 95 | 31.8 | 217.7 | 7.31 | 204.7 | 7.09 | 194.8 | 6.40 | 189.8 | 6.48 | 181.9 | 6.17 | 172.9 | 5.87 | |
| | | 42.4 | 217.7 | 7.31 | 204.7 | 7.01 | 194.8 | 6.40 | 189.8 | 6.40 | 181.9 | 6.09 | 172.9 | 5.79 | |
| | | 84.4 | 217.7 | 7.31 | 204.7 | 6.70 | 194.8 | 6.40 | 189.8 | 6.09 | 181.9 | 5.79 | 172.9 | 5.48 | |
| | 104 | 105.6 | 217.7 | 7.31 | 204.7 | 6.70 | 194.8 | 6.09 | 189.8 | 6.09 | 181.9 | 5.79 | 172.9 | 5.48 | |
| | | 31.8 | 217.7 | 6.70 | 204.7 | 6.48 | 194.8 | 5.79 | 189.8 | 5.87 | 181.9 | 5.56 | 172.9 | 5.18 | |
| | | 42.4 | 217.7 | 6.70 | 204.7 | 6.40 | 194.8 | 5.79 | 189.8 | 5.79 | 181.9 | 5.48 | 172.9 | 5.18 | |
| | 113 | 84.4 | 217.7 | 6.70 | 204.7 | 6.09 | 194.8 | 5.79 | 189.8 | 5.48 | 181.9 | 5.18 | 172.9 | 5.18 | |
| | | 105.6 | 217.7 | 6.70 | 204.7 | 6.09 | 194.8 | 5.79 | 189.8 | 5.48 | 181.9 | 5.18 | 172.9 | 5.18 | |
| | | 31.8 | 217.7 | 6.09 | 204.7 | 5.87 | 194.8 | 5.18 | 189.8 | 5.26 | 181.9 | 4.95 | 172.9 | 4.49 | |
| | 50 | 23 | 42.4 | 217.7 | 6.09 | 204.7 | 5.79 | 194.8 | 5.18 | 189.8 | 5.18 | 181.9 | 4.87 | 172.9 | 4.57 |
| | | | 84.4 | 217.7 | 6.09 | 204.7 | 5.48 | 194.8 | 5.18 | 189.8 | 4.87 | 181.9 | 4.57 | 172.9 | 4.87 |
| | | | 105.6 | 217.7 | 6.09 | 204.7 | 5.48 | 194.8 | 5.48 | 189.8 | 4.87 | 181.9 | 4.57 | 172.9 | 4.87 |
| 32 | | 31.8 | 72.4 | 7.11 | 88.1 | 6.75 | 64.3 | 6.36 | 63.6 | 8.06 | 63.2 | 5.68 | 62.2 | 5.35 | |
| | | 42.4 | 74.9 | 7.27 | 70.4 | 6.90 | 66.5 | 6.52 | 65.8 | 6.19 | 65.4 | 5.80 | 64.3 | 5.47 | |
| | | 84.4 | 84.8 | 7.89 | 79.7 | 7.49 | 75.3 | 7.07 | 74.4 | 6.71 | 74.0 | 6.29 | 72.7 | 5.94 | |
| 41 | | 105.6 | 93.7 | 8.50 | 88.0 | 8.08 | 83.2 | 7.62 | 82.2 | 7.24 | 81.8 | 6.79 | 80.3 | 6.41 | |
| | | 31.8 | 129.5 | 10.42 | 119.8 | 9.89 | 111.4 | 9.34 | 109.1 | 8.87 | 107.5 | 8.31 | 103.8 | 7.85 | |
| | | 42.4 | 130.8 | 10.45 | 120.5 | 9.92 | 112.1 | 9.37 | 109.8 | 8.90 | 108.2 | 8.34 | 104.4 | 7.87 | |
| 50 | | 84.4 | 133.3 | 10.57 | 123.3 | 10.04 | 114.7 | 9.48 | 112.4 | 9.00 | 110.8 | 8.44 | 106.8 | 7.96 | |
| | | 105.6 | 135.4 | 10.57 | 125.2 | 10.04 | 116.4 | 9.48 | 114.1 | 9.00 | 112.5 | 8.44 | 108.5 | 7.96 | |
| | | 31.8 | 179.0 | 11.34 | 169.8 | 10.76 | 161.9 | 10.17 | 158.0 | 9.65 | 151.1 | 9.05 | 144.1 | 8.53 | |
| 59 | 42.4 | 179.4 | 11.40 | 169.9 | 10.82 | 161.9 | 10.22 | 158.0 | 9.70 | 151.1 | 9.10 | 144.1 | 8.58 | | |
| | 84.4 | 180.9 | 11.63 | 171.2 | 11.04 | 162.0 | 10.43 | 158.0 | 9.90 | 151.1 | 9.28 | 144.1 | 8.76 | | |
| | 105.6 | 180.9 | 11.71 | 170.9 | 11.12 | 162.0 | 10.50 | 158.0 | 9.97 | 151.1 | 9.35 | 144.1 | 8.82 | | |
| 68 | 31.8 | 179.9 | 10.43 | 170.2 | 9.84 | 162.0 | 9.23 | 158.0 | 8.82 | 151.1 | 8.17 | 144.1 | 7.82 | | |
| | 42.4 | 180.1 | 10.42 | 170.4 | 9.83 | 162.0 | 9.22 | 158.0 | 8.81 | 151.1 | 8.20 | 144.1 | 7.80 | | |
| | 84.4 | 180.9 | 10.38 | 171.1 | 9.79 | 162.0 | 9.17 | 158.0 | 8.76 | 151.1 | 8.30 | 144.1 | 7.73 | | |
| 77 | 105.6 | 180.9 | 10.43 | 170.9 | 9.83 | 162.0 | 9.21 | 158.0 | 8.79 | 151.1 | 8.18 | 144.1 | 7.76 | | |
| | 31.8 | 180.9 | 9.52 | 170.9 | 8.92 | 162.0 | 8.31 | 158.0 | 8.00 | 151.1 | 7.31 | 144.1 | 7.09 | | |
| | 42.4 | 180.9 | 9.44 | 170.9 | 8.84 | 162.0 | 8.23 | 158.0 | 7.92 | 151.1 | 7.31 | 144.1 | 7.01 | | |
| 86 | 84.4 | 180.9 | 9.14 | 170.9 | 8.53 | 162.0 | 7.92 | 158.0 | 7.62 | 151.1 | 7.31 | 144.1 | 7.01 | | |
| | 105.6 | 180.9 | 9.14 | 170.9 | 8.53 | 162.0 | 7.92 | 158.0 | 7.62 | 151.1 | 7.01 | 144.1 | 6.70 | | |
| | 31.8 | 180.9 | 8.31 | 170.9 | 7.70 | 162.0 | 7.39 | 158.0 | 7.09 | 151.1 | 6.78 | 144.1 | 6.09 | | |
| 95 | 42.4 | 180.9 | 8.23 | 170.9 | 7.62 | 162.0 | 7.31 | 158.0 | 7.01 | 151.1 | 6.70 | 144.1 | 6.09 | | |
| | 84.4 | 180.9 | 7.92 | 170.9 | 7.31 | 162.0 | 7.01 | 158.0 | 6.70 | 151.1 | 6.40 | 144.1 | 6.09 | | |
| | 105.6 | 180.9 | 7.92 | 170.9 | 7.31 | 162.0 | 7.01 | 158.0 | 6.70 | 151.1 | 6.40 | 144.1 | 6.09 | | |
| 104 | 31.8 | 180.9 | 7.39 | 170.9 | 6.70 | 162.0 | 6.48 | 158.0 | 6.09 | 151.1 | 5.79 | 144.1 | 5.48 | | |
| | 42.4 | 180.9 | 7.31 | 170.9 | 6.70 | 162.0 | 6.40 | 158.0 | 6.09 | 151.1 | 5.79 | 144.1 | 5.48 | | |
| | 84.4 | 180.9 | 7.01 | 170.9 | 6.70 | 162.0 | 6.09 | 158.0 | 6.09 | 151.1 | 5.79 | 144.1 | 5.48 | | |
| 113 | 105.6 | 180.9 | 7.01 | 170.9 | 6.70 | 162.0 | 6.09 | 158.0 | 6.09 | 151.1 | 5.79 | 144.1 | 5.48 | | |
| | 31.8 | 180.9 | 6.78 | 170.9 | 6.17 | 162.0 | 5.87 | 158.0 | 5.48 | 151.1 | 5.56 | 144.1 | 5.26 | | |
| | 42.4 | 180.9 | 6.70 | 170.9 | 6.09 | 162.0 | 5.79 | 158.0 | 5.48 | 151.1 | 5.48 | 144.1 | 5.18 | | |
| 60 | 84.4 | 180.9 | 6.40 | 170.9 | 5.79 | 162.0 | 5.48 | 158.0 | 5.48 | 151.1 | 5.18 | 144.1 | 4.87 | | |
| | 105.6 | 180.9 | 6.40 | 170.9 | 5.79 | 162.0 | 5.48 | 158.0 | 5.48 | 151.1 | 5.18 | 144.1 | 4.87 | | |
| | 31.8 | 180.9 | 6.17 | 170.9 | 5.48 | 162.0 | 5.18 | 158.0 | 5.26 | 151.1 | 4.87 | 144.1 | 4.57 | | |
| 70 | 42.4 | 180.9 | 6.09 | 170.9 | 5.48 | 162.0 | 5.18 | 158.0 | 5.18 | 151.1 | 4.87 | 144.1 | 4.57 | | |
| | 84.4 | 180.9 | 5.79 | 170.9 | 5.48 | 162.0 | 5.18 | 158.0 | 4.87 | 151.1 | 4.87 | 144.1 | 4.57 | | |
| | 105.6 | 180.9 | 5.79 | 170.9 | 5.48 | 162.0 | 5.18 | 158.0 | 4.87 | 151.1 | 4.87 | 144.1 | 4.57 | | |
| 80 | 31.8 | 180.9 | 5.56 | 170.9 | 5.26 | 162.0 | 4.95 | 158.0 | 4.57 | 151.1 | 4.65 | 144.1 | 4.27 | | |
| | 42.4 | 180.9 | 5.48 | 170.9 | 5.18 | 162.0 | 4.87 | 158.0 | 4.57 | 151.1 | 4.27 | 144.1 | 4.27 | | |
| | 84.4 | 180.9 | 5.18 | 170.9 | 4.87 | 162.0 | 4.57 | 158.0 | 4.57 | 151.1 | 4.27 | 144.1 | 4.27 | | |
| 90 | 105.6 | 180.9 | 5.18 | 170.9 | 4.87 | 162.0 | 4.57 | 158.0 | 4.57 | 151.1 | 4.27 | 144.1 | 4.27 | | |
| | 31.8 | 180.9 | 4.95 | 170.9 | 5.02 | 162.0 | 4.72 | 158.0 | 3.88 | 151.1 | 4.42 | 144.1 | 3.96 | | |
| | 42.4 | 180.9 | 4.87 | 170.9 | 4.87 | 162.0 | 4.57 | 158.0 | 3.96 | 151.1 | 4.27 | 144.1 | 3.96 | | |
| 100 | 84.4 | 180.9 | 4.57 | 170.9 | 4.27 | 162.0 | 3.96 | 158.0 | 4.27 | 151.1 | 3.66 | 144.1 | 3.96 | | |
| | 105.6 | 180.9 | 4.57 | 170.9 | 4.27 | 162.0 | 3.96 | 158.0 | 4.27 | 151.1 | 3.66 | 144.1 | 3.96 | | |

TC : Total Capacity (MBh), PI : Power Input (kW)

* is used an anti freeze

MULTI V WATER

Job Name/Location: Qty. 1 - located in basement

Tag #:

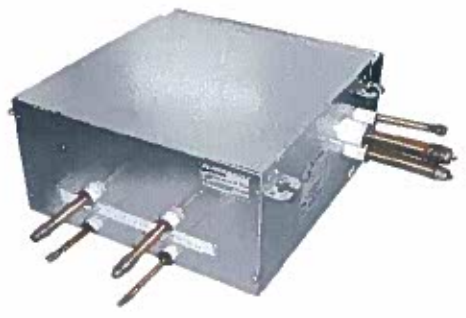
Date: _____ For: File Resubmit
 PO No.: _____ Approval Other _____

Architect: _____ GC: _____

Engr: _____ Mech: _____

Rep: _____
 (Company) (Project Manager)

PRHR020A
 Multi V™ Sync II Heat Recovery Unit



Performance:

| | |
|--|--------|
| Max Port Capacity Btu/h (each port) | 48,100 |
| Max Unit Capacity Btu/h (sum of ports) | 96,200 |
| Power Input (W) | 26 |

Electrical:

| | |
|-----------------------|--------------|
| Power Supply (V/Hz/Ø) | 208-230/60/1 |
| MOP (A) | 15 |
| MCA (A) | 0.2 |

Piping:

Refrigerant:

| | |
|---------------------------------|-----|
| Port Liquid Line (in, OD) | 3/8 |
| Port Vapor Line (in, OD) | 5/8 |
| System Liquid Line (in, OD) | 3/8 |
| System Vapor Line High (in, OD) | 3/4 |
| System Vapor Line Low (in, OD) | 7/8 |

Standard Features:

- Allows connected indoor units to be in cooling or heating mode simultaneously
 - Casing is internally insulated
 - External insulation not needed
- Condensate drain not needed
- Series or parallel connection with additional heat recovery units
 - Flexible placement for service access or pipe routing

Unit Data:

| | |
|--|--------|
| Refrigerant Type | R410A |
| Number of Indoor Unit Ports | 2 |
| Net Unit Weight (lbs) | 45 |
| Shipping Weight (lbs) | 54 |
| Communication Cable ¹ (No. x AWG) | 2 x 18 |

Notes:

- 1.All communication cable to be minimum 18 AWG, 2-conductor, stranded, shielded and must comply with applicable local and national code.
- 2.Kit components must be kept dry and free of debris before installation.
- 3.Must follow installation instructions in the applicable LG installation manual
- 4.Power wiring cable size must comply with the applicable local and national code.
- 5.This unit comes with a dry nitrogen charge.

Job Name/Location:

PRHR020A

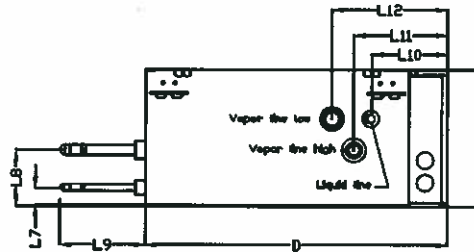
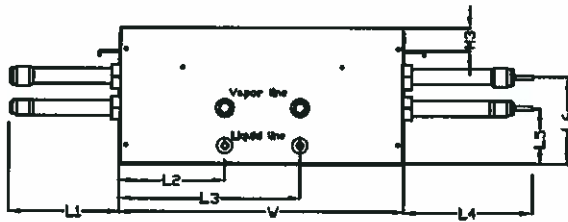
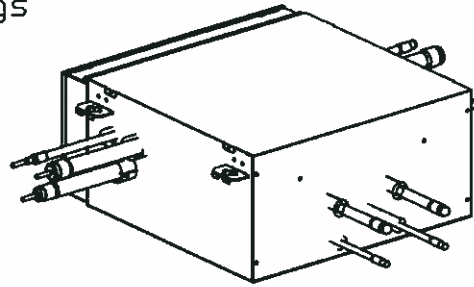
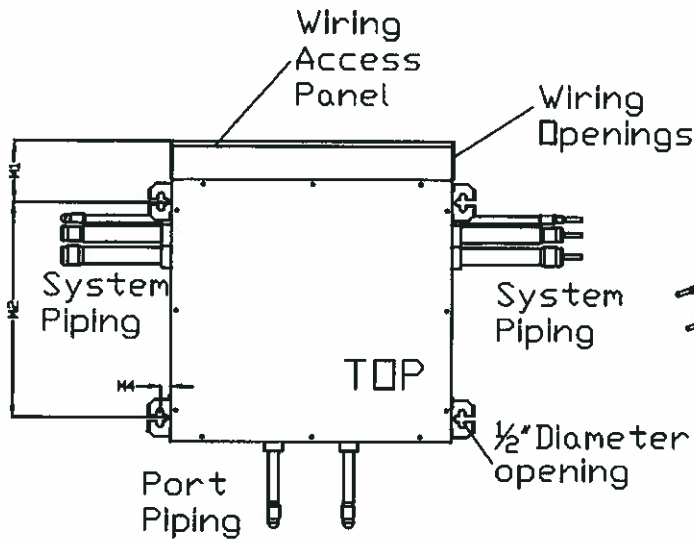
Multi V™ Sync II Heat Recovery Unit



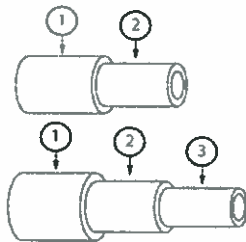
Tag #:

Date:

PO No.:



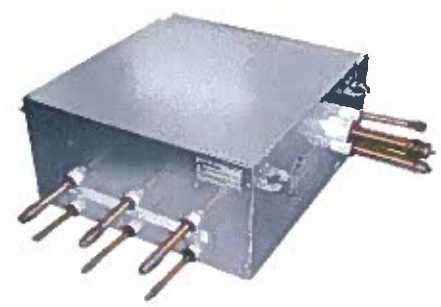
| | |
|-----|---------|
| W | 17-3/4" |
| H | 8-5/8" |
| D | 19" |
| L1 | 6-3/4" |
| L2 | 6-5/8" |
| L3 | 11-3/8" |
| L4 | 8" |
| L5 | 3-1/2" |
| L6 | 5-1/2" |
| L7 | 1-1/4" |
| L8 | 3-1/2" |
| L9 | 5-1/2" |
| L10 | 4-3/4" |
| L11 | 5-3/4" |
| L12 | 7-1/4" |
| M1 | 3-3/4" |
| M2 | 13-5/8" |
| M3 | 1-1/2" |
| M4 | 5/8" |



| Reducer Dimensions (in) | | Port Identifier | | |
|-------------------------|-----------------|-----------------|--------|--------|
| | | 1 | 2 | 3 |
| Indoor Unit | Liquid Line | 1/2 OD | 3/8 OD | - |
| | Vapor Line | 5/8 OD | 1/2 OD | - |
| HR Unit | Liquid Line | 3/8 OD | 1/4 OD | - |
| | Vapor Line Low | 5/8 OD | 1/2 OD | - |
| | | 7/8 OD | 3/4 OD | 5/8 OD |
| | Vapor Line High | 1/2 OD | 3/8 OD | - |
| 3/4 OD | | 5/8 OD | 1/2 OD | |

Job Name/Location: Qty. 2 - 1 in basement, 1 in 2nd Floor Tag #:

| | |
|------------|----------------------|
| Date: | For: File Resubmit |
| PO No.: | Approval Other _____ |
| Architect: | GC: |
| Engr: | Mech: |
| Rep: | |
| (Company) | (Project Manager) |



PRHR030A
Multi V™ Sync II Heat Recovery Unit



Performance:

| | |
|--|---------|
| Max Port Capacity Btu/h (each port) | 48,100 |
| Max Unit Capacity Btu/h (sum of ports) | 144,300 |
| Power Input (W) | 40 |

Electrical:

| | |
|-----------------------|--------------|
| Power Supply (V/Hz/Ø) | 208-230/60/1 |
| MOP (A) | 15 |
| MCA (A) | 0.2 |

Piping:

Refrigerant:

| | |
|---------------------------------|-------|
| Port Liquid Line (in, OD) | 3/8 |
| Port Vapor Line (in, OD) | 5/8 |
| System Liquid Line (in, OD) | 1/2 |
| System Vapor Line High (in, OD) | 7/8 |
| System Vapor Line Low (in, OD) | 1-1/8 |

Standard Features:

- Allows connected indoor units to be in cooling or heating mode simultaneously
 - Casing is internally insulated
 - External insulation not needed
- Condensate drain not needed
- Series or parallel connection with additional heat recovery units
 - Flexible placement for service access or pipe routing

Unit Data:

| | |
|--|--------|
| Refrigerant Type | R410A |
| Number of Indoor Unit Ports | 3 |
| Net Unit Weight (lbs) | 49 |
| Shipping Weight (lbs) | 57 |
| Communication Cable ¹ (No. x AWG) | 2 x 18 |

Notes:

1. All communication cable to be minimum 18 AWG, 2-conductor, stranded, shielded and must comply with applicable local and national code.
2. Kit components must be kept dry and free of debris before installation.
3. Must follow installation instructions in the applicable LG installation manual
4. Power wiring cable size must comply with the applicable local and national code.
5. This unit comes with a dry nitrogen charge.

Job Name/Location:

PRHR030A

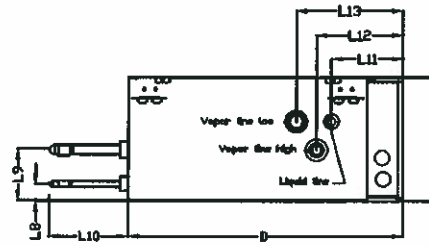
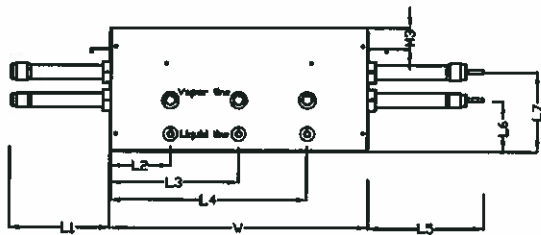
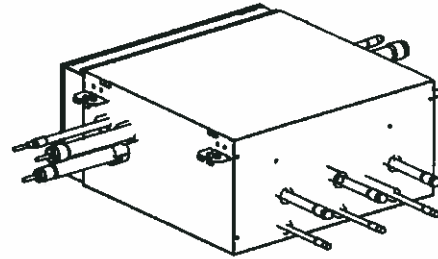
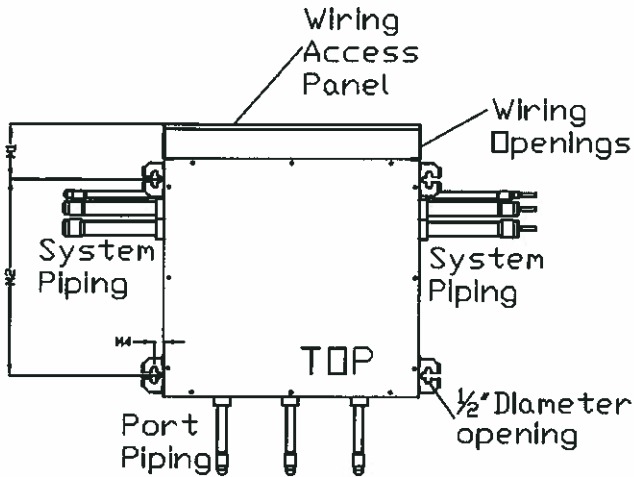
Multi V™ Sync II Heat Recovery Unit



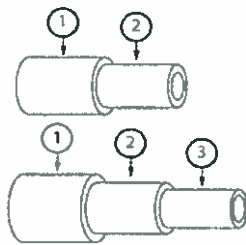
Tag #:

Date:

PO No.:



| | |
|-----|---------|
| W | 17-3/4" |
| H | 8-5/8" |
| D | 19" |
| L1 | 6-3/4" |
| L2 | 4-1/4" |
| L3 | 9" |
| L4 | 13-3/4" |
| L5 | 8" |
| L6 | 3-1/2" |
| L7 | 5-1/2" |
| L8 | 1-1/4" |
| L9 | 3-1/2" |
| L10 | 5-1/2" |
| L11 | 4-3/4" |
| L12 | 5-3/4" |
| L13 | 7-1/4" |
| M1 | 3-3/4" |
| M2 | 13-5/8" |
| M3 | 1-1/2" |
| M4 | 5/8" |



| Reducer Dimensions (in) | | Port Identifier | | |
|-------------------------|----------------|-----------------|--------|--------|
| | | 1 | 2 | 3 |
| Indoor Unit | Liquid Line | 3/8 OD | 1/4 OD | - |
| | Vapor Line | 5/8 OD | 1/2 OD | - |
| HR Unit | Liquid Line | 1/2 OD | 3/8 OD | - |
| | | 3/4 OD | 5/8 OD | - |
| | Vapor Line Low | 1-1/8 OD | 7/8 OD | 3/4 OD |
| | | 5/8 OD | 1/2 OD | - |
| Vapor Line High | 7/8 OD | 3/4 OD | 5/8 OD | |

Job Name/Location: Qty 1 - located in 2nd Flwr

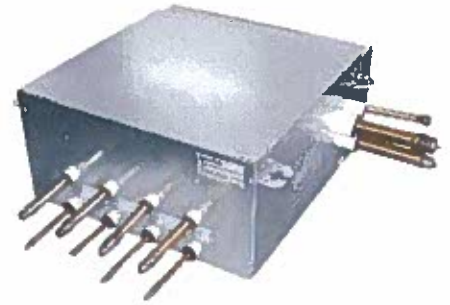
Tag #:

| | | |
|---------|-----------|-------------|
| Date: | For: File | Resubmit |
| PO No.: | Approval | Other _____ |

Architect: GC:

Engr: Mech:

Rep: _____
 (Company) (Project Manager)



PRHR040A
 Multi V™ Sync II Heat Recovery Unit



Performance:

| | |
|--|---------|
| Max Port Capacity Btu/h (each port) | 48,100 |
| Max Unit Capacity Btu/h (sum of ports) | 160,350 |
| Power Input (W) | 40 |

Electrical:

| | |
|-----------------------|---------------|
| Power Supply (V/Hz/Ø) | 208-230V/60/1 |
| MOP (A) | 15 |
| MCA (A) | 0.2 |

Piping:

Refrigerant:

| | |
|---------------------------------|-------|
| Port Liquid Line (in, OD) | 3/8 |
| Port Vapor Line (in, OD) | 5/8 |
| System Liquid Line (in, OD) | 1/2 |
| System Vapor Line High (in, OD) | 7/8 |
| System Vapor Line Low (in, OD) | 1-1/8 |

Standard Features:

- Allows connected indoor units to be in cooling or heating mode simultaneously
 - Casing is internally insulated
 - External insulation not needed
- Condensate drain not needed
- Series or parallel connection with additional heat recovery units
 - Flexible placement for service access or pipe routing

Unit Data:

| | |
|--|--------|
| Refrigerant Type | R410A |
| Number of Indoor Unit Ports | 4 |
| Net Unit Weight (lbs) | 53 |
| Shipping Weight (lbs) | 62 |
| Communication Cable ¹ (No# x AWG) | 2 x 18 |

Notes:

- 1.All communication cable to be minimum 18 AWG, 2-conductor, stranded, shielded and must comply with applicable local and national code.
- 2.Kit components must be kept dry and free of debris before installation.
- 3.Must follow installation instructions in the applicable LG installation manual
- 4.Power wiring cable size must comply with the applicable local and national code.
- 5.This unit comes with a dry nitrogen charge.

Job Name/Location:

PRHR040A

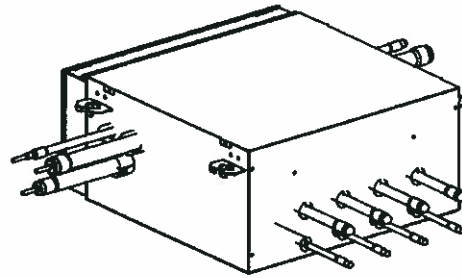
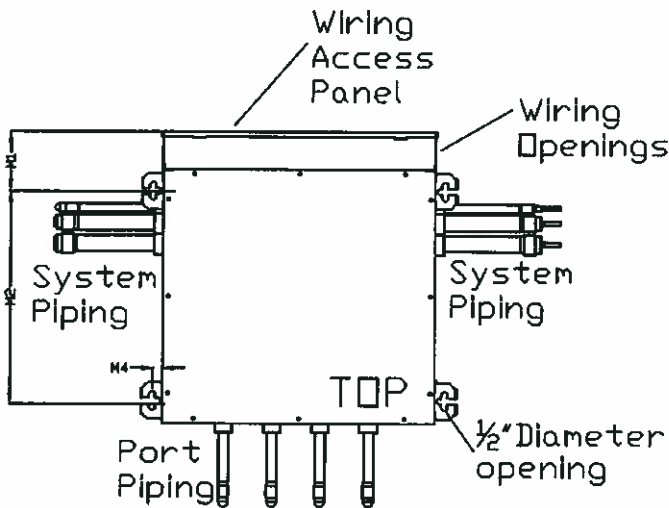
Multi V™ Sync II Heat Recovery Unit



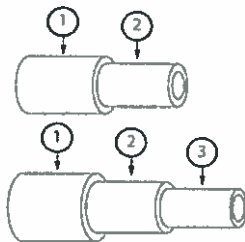
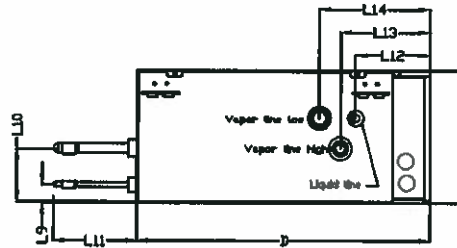
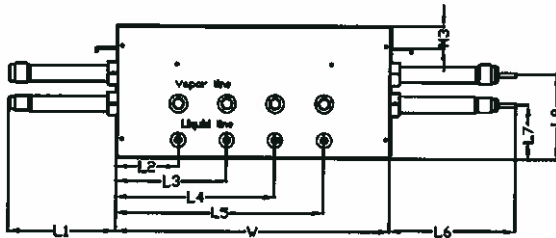
Tag #:

Date:

PO No.:



| | |
|-----|---------|
| W | 17-3/4" |
| H | 8-5/8" |
| D | 19" |
| L1 | 6-3/4" |
| L2 | 4-1/4" |
| L3 | 7-1/2" |
| L4 | 10-1/2" |
| L5 | 13-3/4" |
| L6 | 8" |
| L7 | 3-1/2" |
| L8 | 5-1/2" |
| L9 | 1-1/4" |
| L10 | 3-1/2" |
| L11 | 5-1/2" |
| L12 | 4-3/4" |
| L13 | 5-3/4" |
| L14 | 7-1/4" |
| M1 | 3-3/4" |
| M2 | 13-5/8" |
| M3 | 1-1/2" |
| M4 | 5/8" |



| | | Reducer Dimensions (in) | | |
|-------------|-----------------|-------------------------|--------|--------|
| | | Port Identifier | | |
| | | 1 | 2 | 3 |
| Indoor Unit | Liquid Line | 3/8 OD | 1/4 OD | - |
| | Vapor Line | 5/8 OD | 1/2 OD | - |
| HR Unit | Liquid Line | 1/2 OD | 3/8 OD | - |
| | Vapor Line Low | 3/4 OD | 5/8 OD | - |
| | | 1-1/8 OD | 7/8 OD | 3/4 OD |
| | Vapor Line High | 5/8 OD | 1/2 OD | - |
| 7/8 OD | | 3/4 OD | 5/8 OD | |

Job Name/Location:

Tag #:

| | | |
|---------|-----------|----------|
| Date: | For: File | Resubmit |
| PO No.: | Approval | Other |

Architect: GC:

Engr: Mech:

Rep: (Company) (Project Manager)

Indoor Y-Branch Kits

Multi V™ 3 Pipe



Insulation Properties:

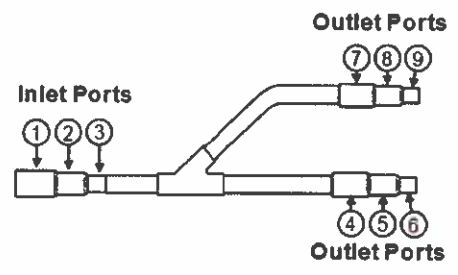
| | |
|---------------------------|-----------------|
| Material | Polyolefin Foam |
| UL94 Flame Classification | HF-1 |

Fitting Properties:

| | |
|-----------------|----------|
| Material | Copper |
| Design Pressure | 551 PSIG |

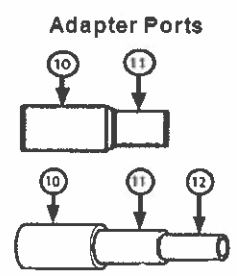
Qty 2
Qty 1
Qty 1

| Y-Branch Connection Diameters (in, ID) | | | | | | | | | | |
|--|-----------------|-----------------|-------|-------|-------|-------|-------|-------|-------|-----|
| Model | Y-Branch Type | Port Identifier | | | | | | | | |
| | | 1 | 2 | 3 | 4 | 5 | 6 | 7 | 8 | 9 |
| ARBLB01621 | Liquid | - | 1/4 | 3/8 | 3/8 | 1/4 | - | 3/8 | 1/4 | - |
| | Vapor Line Low | - | 5/8 | 1/2 | 1/2 | 5/8 | - | 1/2 | 5/8 | - |
| | Vapor Line High | 3/8 | 5/8 | 1/2 | 1/2 | 3/8 | 1/2 | 3/8 | 1/2 | 3/8 |
| ARBLB03321 | Liquid | 1/2 | 3/8 | - | 3/8 | 1/2 | 1/4 | 3/8 | 1/2 | 1/4 |
| | Vapor Line Low | 1 | 7/8 | 3/4 | 5/8 | 3/4 | 1/2 | 5/8 | 3/4 | 1/2 |
| | Vapor Line High | 3/4 | 1 | 7/8 | 7/8 | 3/4 | 5/8 | 7/8 | 3/4 | 5/8 |
| ARBLB07121 | Liquid | 1/2 | 3/4 | 5/8 | 5/8 | 3/4 | 1/2 | 5/8 | 3/4 | 1/2 |
| | Vapor Line Low | 1-1/4 | 1-1/8 | - | 7/8 | 3/4 | 5/8 | 3/4 | 5/8 | 1/2 |
| | Vapor Line High | 1-1/8 | 1 | - | 7/8 | 1 | 3/4 | 7/8 | 1 | 3/4 |
| ARBLB14521 | Liquid | 5/8 | 7/8 | 3/4 | 7/8 | 3/4 | 5/8 | 3/4 | 5/8 | 1/2 |
| | Vapor Line Low | 1-3/8 | 1-1/2 | 1-5/8 | 1-1/2 | 1-3/8 | 1-1/8 | 1-3/8 | 1-1/8 | 7/8 |
| | Vapor Line High | 1-1/8 | 1-3/8 | 1-1/4 | 1-1/8 | 1-1/4 | 1 | 1-1/8 | 1-1/4 | 1 |



Not to scale

| Reducer Diameters (in) | | | | | | | |
|------------------------|---------|-----------------|-----------------|----------|----------|---------|---------|
| Model | Qty/Kit | Reducer Type | 10 | 11 | 12 | Length | |
| ARBLB01621 | 2 | Liquid | 1/2 ID | 3/8 OD | - | 2-3/4 | |
| | | Vapor Line Low | 3/4 ID | 5/8 OD | - | 2-3/4 | |
| | | Vapor Line High | - | - | - | - | |
| ARBLB03321 | 5 | Liquid | 7/8 ID | 3/4 OD | - | 2-3/4 | |
| | | | Vapor Line Low | 1 ID | 7/8 ID | 3/4 OD | 4-11/32 |
| | | | Vapor Line High | 1-1/8 ID | 1 OD | - | 3-5/32 |
| | | Vapor Line Low | 5/8 OD | 1/2 ID | - | 2-3/4 | |
| | | | 5/8 OD | 1/2 ID | 3/8 ID | 4-11/32 | |
| | | | 5/8 OD | 1/2 ID | 3/8 ID | 4-11/32 | |
| ARBLB07121 | 8 | Liquid | 1/2 OD | 3/8 ID | - | 2-3/4 | |
| | | | Vapor Line Low | 1-1/8 ID | 7/8 ID | 3/4 OD | 4-23/32 |
| | | | Vapor Line High | 1-1/4 ID | 1-1/8 ID | 7/8 OD | 4-23/32 |
| | | Vapor Line Low | 1-3/8 ID | 1-1/4 OD | - | 3-17/32 | |
| | | | 1/2 OD | 3/8 ID | - | 2-3/4 | |
| | | | 3/4 OD | 5/8 ID | - | 2-3/4 | |
| ARBLB14521 | 12 | Liquid | 3/4 OD | 5/8 ID | 1/2 ID | 4-11/32 | |
| | | | 1/2 OD | 3/8 ID | 1/4 ID | 4-11/32 | |
| | | | 5/8 OD | 1/2 ID | 3/8 ID | 4-11/32 | |
| | | | 7/8 ID | 3/4 OD | - | 3-5/32 | |
| | | | 5/8 OD | 1/2 ID | - | 2-3/4 | |
| | | | 7/8 OD | 3/4 ID | 5/8 ID | 4-23/32 | |
| | | Vapor Line Low | 1-1/8 OD | 7/8 ID | 3/4 ID | 4-23/32 | |
| | | | 1-5/8 ID | 1-1/2 ID | 1-3/8 OD | 5-1/8 | |
| | | | 1-5/8 ID | 1-1/2 OD | - | 3-17/32 | |
| | | | 3/4 OD | 5/8 ID | 1/2 ID | 4-11/32 | |
| | | | Vapor Line High | 1/2 OD | 3/8 ID | - | 2-3/4 |
| | | | | 1 OD | 7/8 ID | - | 3-5/32 |
| 1 OD | 7/8 ID | 3/4 ID | | 4-23/32 | | | |



Job Name/Location:

Indoor Y-Branch Kits
Multi V™ 3 Pipe

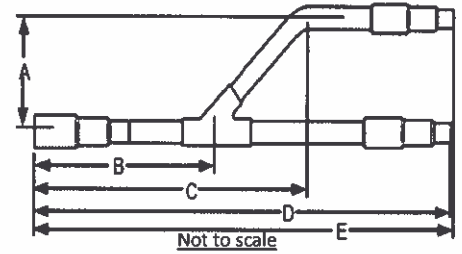


Tag #:

Date:

PO No.:

| Y-Branch Dimensions ² (in) | | | | | | |
|---------------------------------------|-----------------|---------|---------|----------|----------|----------|
| Model | Y-Branch Type | A | B | C | D | E |
| ARBLB01621 | Liquid | 2-29/32 | 6-9/16 | 8-1/32 | 11-1/16 | 11-1/2 |
| | Vapor Line Low | 2-29/32 | 4-1/2 | 7-31/32 | 11-1/16 | 11-1/2 |
| | Vapor Line High | 2-29/32 | 6-3/32 | 9-7/16 | 13-13/16 | 14-21/32 |
| ARBLB03321 | Liquid | 2-29/32 | 4-1/2 | 8-1/32 | 12-5/8 | 13-1/16 |
| | Vapor Line Low | 3-9/32 | 6-29/32 | 10-7/8 | 15-11/32 | 16-1/4 |
| | Vapor Line High | 3-25/32 | 7-3/32 | 11-3/8 | 16-9/16 | 17-15/32 |
| ARBLB07121 | Liquid | 3-9/32 | 6-1/8 | 10-1/32 | 14-9/32 | 15-1/2 |
| | Vapor Line Low | 3-25/32 | 5-1/2 | 10 | 14-13/16 | 15-29/32 |
| | Vapor Line High | 3-25/32 | 5-1/2 | 10-3/32 | 15 | 16-3/32 |
| ARBLB14521 | Liquid | 3-25/32 | 7-3/32 | 11-11/16 | 16-3/8 | 17-15/32 |
| | Vapor Line Low | 4-29/32 | 7-7/8 | 13-23/32 | 18-17/32 | 20-11/32 |
| | Vapor Line High | 4-3/8 | 7-7/16 | 12-3/4 | 17-27/32 | 19-11/32 |



Notes:

1. Each Y-Branch kit comes with Insulation for the following piping components - liquid, vapor line low and vapor line high.
2. LG branch fittings must be used. Field supplied branch fittings are not permitted.
3. Kit components must be kept dry and free of debris before installation.
4. Must follow installation instructions in the applicable LG installation manual.

Job Name/Location: Resort

Tag #: UH

| | | | |
|---------|------|----------|----------|
| Date: | For: | File | Resubmit |
| PO No.: | | Approval | Other |

Architect: _____ GC: _____

Engr: _____ Mech: _____

Rep: _____
(Company) (Project Manager)



ARNU243S5L2
Multi V™ Wall Mounted Unit
24,200 Btu/h Indoor Unit



Performance:

| | |
|--------------------------------|--------|
| Total Cooling Capacity (Btu/h) | 24,200 |
| Heating Capacity (Btu/h) | 27,300 |
| Power Input ¹ (W) | 40 |

Cooling Nominal Test Conditions: Indoor: 80°F DB/67°F WB Outdoor: 95°F DB
Heating Nominal Test Conditions: Indoor: 70°F DB Outdoor: 47°F DB/43°F WB

Electrical:

| | |
|-----------------------|--------------|
| Power Supply (V/Hz/Ø) | 208-230/60/1 |
| Rated Amps (A) | 0.3 |

Piping:

Refrigerant:

| | |
|----------------------|-----------|
| Liquid Line (in, OD) | 3/8 Flare |
| Vapor Line (in, OD) | 5/8 Flare |

Condensate:

| | |
|--------------------------|-----|
| Condensate Line (in, OD) | 5/8 |
| Factory Installed Pump | No |

Controls Features:

- Auto changeover (Heat Recovery only)
- Auto operation
- Auto clean (coil dry)
- Auto restart
- Child lock
- Dual thermistor control
- Forced operation
- Group control
- Hot start
- Self diagnostics
- Sleep mode
- Timer (on/off)
- Weekly schedule
- Soft dry (dehumidification)
- Auto direction/swing (up/down)
- Manual Direction (left/right)
- Fan speed control
- Chaos swing (random louver swing)
- Chaos wind (random fan speed)
- Jet cool (fast cooling)

Optional Accessories:

- Wireless Handheld Remote Controller (PQWRHDF0)
- 7-Day Programmable Controller (PQRCUSA)
- Simple Controller with Mode (PQRCUCSOC)
- Simple Controller without Mode (PQRCFCSOC)
- Dry Contact Unit (PQDSB1, PQDSBC)

Entering Mixed Air:

| | |
|----------------------------------|----|
| Cooling Max ² (°F WB) | 76 |
| Heating Min (°F DB) | 59 |

Unit Data:

| | |
|---|---------------------|
| Refrigerant Type | R410A |
| Refrigerant Control | EEV |
| Sound Pressure ³ dB(A) (H/M/L) | 46/41/38 |
| Primary Filter | Washable Pre-filter |
| Secondary Filter | Plasma |
| Net Unit Weight (lbs) | 27 |
| Shipping Weight (lbs) | 32 |

Fan:

| | |
|--------------------------|---------------------------------------|
| Type | Cross Flow |
| Quantity | 1 |
| Motor/Drive | Brushless Digitally Controlled/Direct |
| Airflow Rate H/M/L (CFM) | 494/459/353 |

Standard Features:

- Limited Warranty with LG Certified Installation
- Two Year Functional Parts Warranty

Notes:

1. The Power Input is rated at high speed.
2. See Engineering Manual for sensible and latent capacities.
3. Sound Pressure levels are tested in an anechoic chamber under ISO Standard 1996.
4. All communication cable to be minimum 18 AWG, 2-conductor, stranded, shielded and must comply with applicable local and national code.
5. Power wiring cable size must comply with the applicable local and national code.
6. This unit comes with a dry nitrogen charge.
7. This data is rated 0 ft above sea level, with 25 ft of refrigerant line per indoor unit and a 0 ft level difference between outdoor and indoor units. All capacities are net with a combination ratio between 95 - 105%.
8. Must follow installation instructions in the applicable LG installation manual.

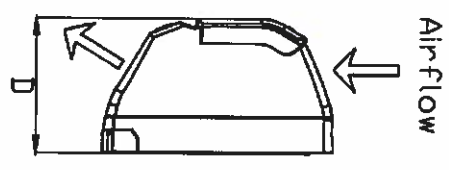
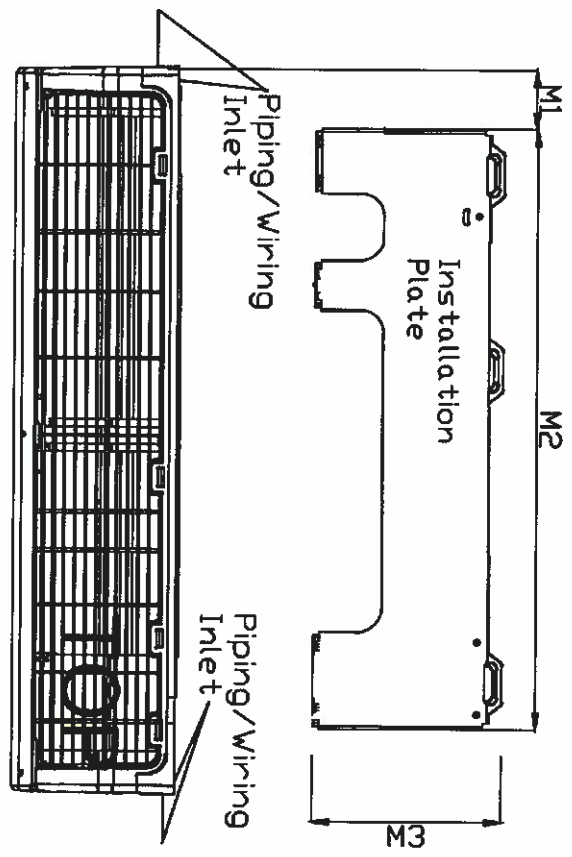
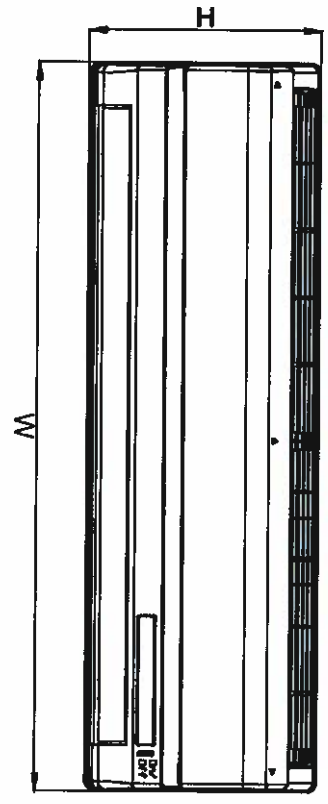


Job Name/Location:

ARNU243S5L2
 Multi V™ Wall Mounted Unit
 24,200 Btu/h Indoor Unit



Tag #: _____
 Date: _____
 PO No.: _____



| | |
|----|----------|
| W | 42-7/8" |
| H | 11-13/16 |
| D | 7" |
| M1 | 3-1/2" |
| M2 | 31-5/8" |
| M3 | 11" |

Note - All dimensions have a tolerance of ± 0.25 in.

Job Name/Location: AHU-1

Tag #:

Date: _____ For: File Resubmit
 PO No.: _____ Approval Other _____
 Architect: _____ GC: _____
 Engr: _____ Mech: _____
 Rep: _____
(Company) (Project Manager)



ARNU073SEL2
 Multi V™ Wall Mounted Unit
 7,500 Btu/h Indoor Unit



Performance:

| | |
|--------------------------------|-------|
| Total Cooling Capacity (Btu/h) | 7,500 |
| Heating Capacity (Btu/h) | 8,500 |
| Power Input ¹ (W) | 40 |

Cooling Nominal Test Conditions: Indoor: 80°F DB/67°F WB Outdoor: 95°F DB
 Heating Nominal Test Conditions: Indoor: 70°F DB Outdoor: 47°F DB/43°F WB

Electrical:

| | |
|-----------------------|--------------|
| Power Supply (V/Hz/Ø) | 208-230/60/1 |
| Rated Amps (A) | 0.3 |

Piping:

Refrigerant:

| | |
|----------------------|-----------|
| Liquid Line (in, OD) | 1/4 Flare |
| Vapor Line (in, OD) | 1/2 Flare |

Condensate:

| | |
|--------------------------|-----|
| Condensate Line (in, OD) | 5/8 |
| Factory Installed Pump | No |

Controls Features:

- Auto changeover (Heat Recovery only)
- Auto operation
- Auto clean (coil dry)
- Auto restart
- Child lock
- Dual thermistor control
- Forced operation
- Group control
- Hot start
- Self diagnostics
- Sleep mode
- Timer (on/off)
- Weekly schedule
- Soft dry (dehumidification)
- Auto direction/swing (up/down)
- Manual Direction (left/right)
- Fan speed control
- Chaos swing (random louver swing)
- Chaos wind (random fan speed)
- Jet cool (fast cooling)

Optional Accessories:

- Wireless Handheld Remote Controller (PQWRHDF0)
- 7-Day Programmable Controller (PQRCUSA)
- Simple Controller with Mode (PQRCUCS0C)
- Simple Controller without Mode (PQRCFCS0C)
- Dry Contact Unit (PQDSB1, PQDSBC)

Entering Mixed Air:

| | |
|----------------------------------|----|
| Cooling Max ² (°F WB) | 76 |
| Heating Min (°F DB) | 59 |

Unit Data:

| | |
|---|---------------------|
| Refrigerant Type | R410A |
| Refrigerant Control | EEV |
| Sound Pressure ³ dB(A) (H/M/L) | 37/33/23 |
| Primary Filter | Washable Pre-filter |
| Secondary Filter | Plasma |
| Net Unit Weight (lbs) | 20 |
| Shipping Weight (lbs) | 25 |

Fan:

| | |
|--------------------------|---------------------------------------|
| Type | Cross Flow |
| Quantity | 1 |
| Motor/Drive | Brushless Digitally Controlled/Direct |
| Airflow Rate H/M/L (CFM) | 198/177/163 |

Standard Features:

- Limited Warranty with LG Certified Installation
- Two Year Functional Parts Warranty

Notes:

- 1.The Power Input is rated at high speed.
- 2.See Engineering Manual for sensible and latent capacities.
- 3.Sound Pressure levels are tested in an anechoic chamber under ISO Standard 1996.
- 4.All communication cable to be minimum 18 AWG, 2-conductor, stranded, shielded and must comply with applicable local and national code.
- 5.Power wiring cable size must comply with the applicable local and national code.
- 6.This unit comes with a dry nitrogen charge.
- 7.This data is rated 0 ft above sea level, with 25 ft of refrigerant line per indoor unit and a 0 ft level difference between outdoor and indoor units. All capacities are net with a combination ratio between 95 - 105%.
- 8.Must follow installation instructions in the applicable LG installation manual.

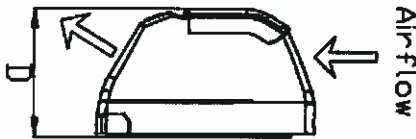
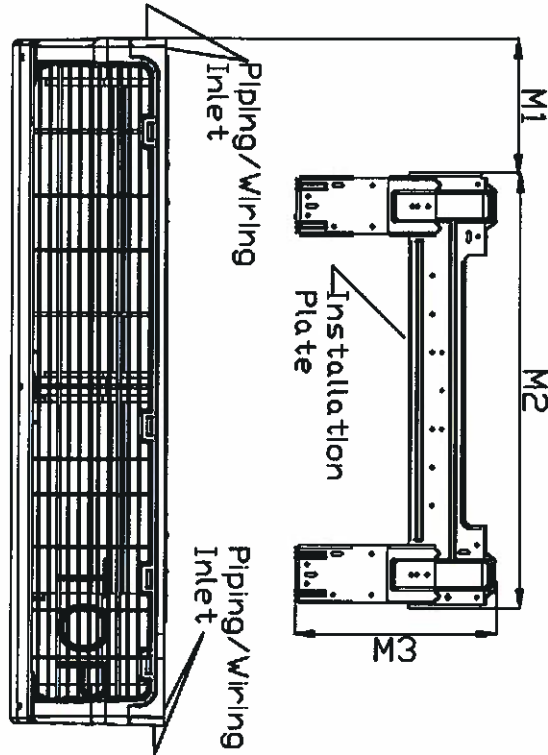


Job Name/Location:

ARNU073SEL2
 Multi V™ Wall Mounted Unit
 7,500 Btu/h Indoor Unit



Tag #: _____
 Date: _____
 PO No.: _____



| | |
|----|----------|
| W | 35-3/16" |
| H | 11-1/8" |
| D | 6-1/2" |
| M1 | 5-5/8" |
| M2 | 22-3/8" |
| M3 | 10-1/2" |

Note - All dimensions have a tolerance of ± 0.25 in.

Job Name/Location: Qty 4 AHU-5, AHU-8, AHU-9, AHU-12 Tag #: _____

Date: _____ For: File Resubmit
 PO No.: _____ Approval Other _____

Architect: _____ GC: _____

Engr: _____ Mech: _____

Rep: _____
 (Company) (Project Manager)



ARNU183BHA2
 Multi V™ Ducted (High Static)
 19,100 Btu/h Indoor Unit



Performance:

| | |
|--------------------------------|--------|
| Total Cooling Capacity (Btu/h) | 19,100 |
| Heating Capacity (Btu/h) | 21,500 |
| Power Input ¹ (W) | 150 |

Cooling Nominal Test Conditions: Indoor: 80°F DB/67°F WB Outdoor: 95°F DB
 Heating Nominal Test Conditions: Indoor: 70°F DB Outdoor: 47°F DB/43°F WB

Electrical:

| | |
|-----------------------|--------------|
| Power Supply (V/Hz/Ø) | 208-230/60/1 |
| Rated Amps (A) | 0.92 |

Piping:

Refrigerant:

| | |
|----------------------|-----------|
| Liquid Line (in, OD) | 1/4 Flare |
| Vapor Line (in, OD) | 1/2 Flare |

Condensate:

| | |
|-------------------------------------|-----|
| Condensate Line (in,OD) | 1 |
| Factory Installed Pump ² | Yes |

Controls Features:

- Auto changeover (Heat Recovery only)
- Auto operation
- Auto restart
- Child lock
- Dual thermistor control
- Group control
- E.S.P. control
- Hot start
- Self diagnostics
- Sleep mode
- Timer (on/off)
- Weekly schedule
- Soft dry (dehumidification)
- Fan speed control

Optional Accessories:

- Wireless Handheld Remote Controller³ (PQWRHDF0)
- 7-Day Programmable Controller (PQRCUSA)
- Simple Controller with Mode (PQRCUCS0C)
- Simple Controller without Mode (PQRCFCS0C)
- Dry Contact Unit (PQDSB1, PQDSBC)
- Wall Mounted Temperature Sensor (PQRSTA0)

Entering Mixed Air:

| | |
|----------------------------------|----|
| Cooling Max ⁴ (°F WB) | 76 |
| Heating Min (°F DB) | 59 |

Unit Data:

| | |
|---|---------------------|
| Refrigerant Type | R410A |
| Refrigerant Control | EEV |
| Sound Pressure ⁵ dB(A) (H/M/L) | 42.5/41/37 |
| Filter | Washable Pre-filter |
| Net Unit Weight (lbs) | 59 |
| Shipping Weight (lbs) | 68 |

Fan:

| | |
|---|---------------------------------------|
| Type | Sirocco |
| Quantity | 1 |
| Motor/Drive | Brushless Digitally Controlled/Direct |
| Airflow Rate H/M/L (CFM) | 547/477/438 |
| External Static Pressure ⁶ (in wg) | 0.31 |

Standard Features:

- Limited Warranty with LG Certified Installation
- Two Year Functional Parts Warranty

Notes:

- 1.The Power Input is rated at high speed.
- 2.Maximum lift is 27 in from bottom of unit.
- 3.Requires a 7-Day programmable controller.
- 4.See Engineering Manual for sensible and latent capacities.
- 5.Sound Pressure levels are tested in an anechoic chamber under ISO Standard 1996.
- 6.Factory set as standard.
- 7.All communication cable to be minimum 18 AWG, 2-conductor, stranded, shielded and must comply with applicable local and national code.
- 8.Power wiring cable size must comply with the applicable local and national code.
- 9.This unit comes with a dry nitrogen charge.
- 10.This data is rated 0 ft above sea level, with 25 ft of refrigerant line per indoor unit and a 0 ft level difference between outdoor and indoor units. All capacities are net with a combination ratio between 95 – 105%.
- 11.Must follow installation instructions in the applicable LG installation manual.



Job Name/Location:

ARNU183BHA2

Multi V™ Ducted (High Static)

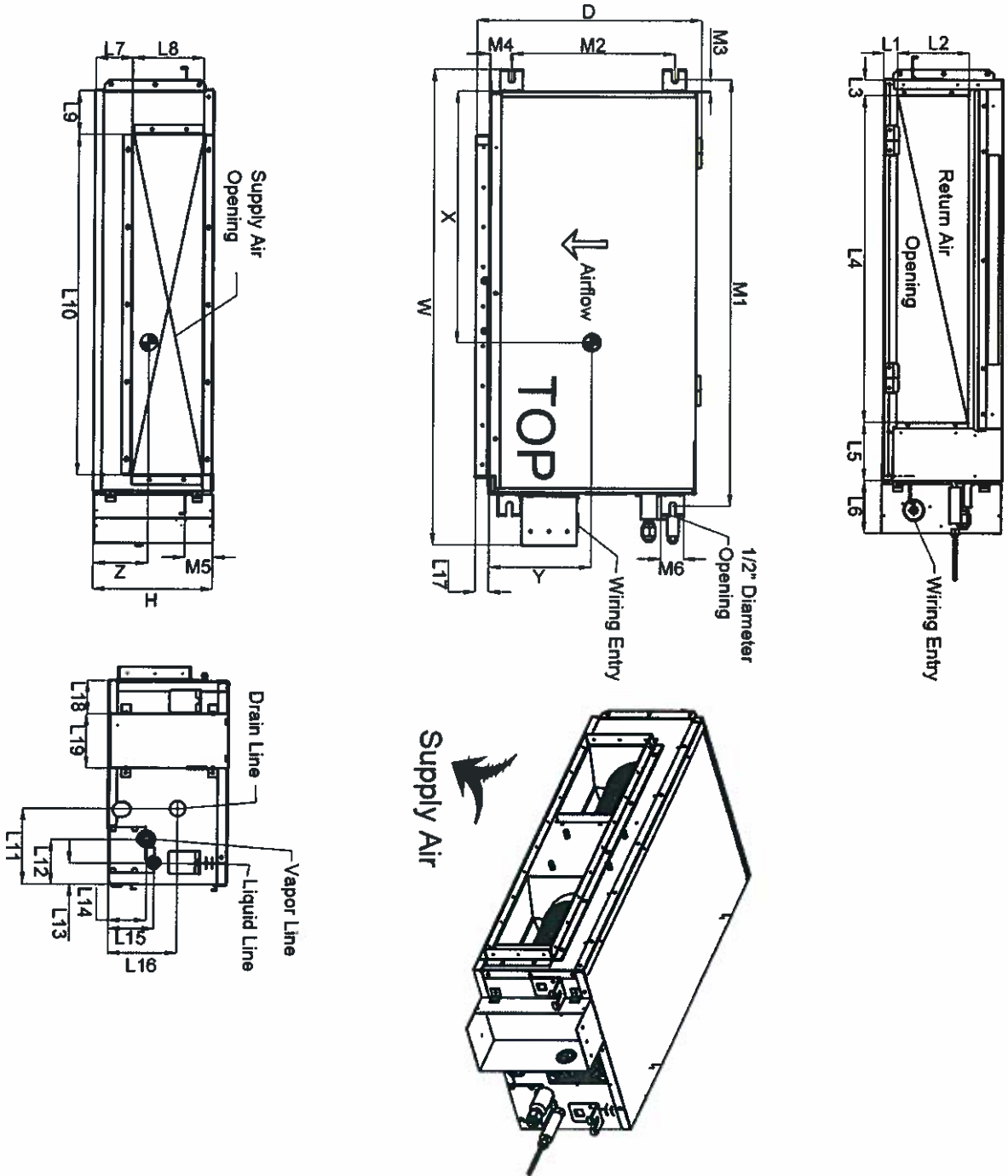
19,100 Btu/h Indoor Unit



Tag #:

Date:

PO No.:



| | |
|-----|-----------|
| W | 41 1/8" |
| D | 19 5/16" |
| H | 10 5/16" |
| L1 | 13/16" |
| L2 | 6 7/8" |
| L3 | 7/8" |
| L4 | 29 3/8" |
| L5 | 4 1/2" |
| L6 | 4 1/4" |
| L7 | 2 7/8" |
| L8 | 6 1/4" |
| L9 | 1 5/8" |
| L10 | 29 1/2" |
| L11 | 6 9/16" |
| L12 | 3 15/16" |
| L13 | 1 7/8" |
| L14 | 3 1/8" |
| L15 | 3 3/4" |
| L16 | 6 3/4" |
| L17 | 1 3/16" |
| L18 | 2 15/16" |
| L19 | 4 11/16" |
| M1 | 36 11/16" |
| M2 | 14" |
| M3 | 1" |
| M4 | 1 7/8" |
| M5 | 2 1/2" |
| M6 | 2" |

Center of Gravity
ARNU183BHA2

| | |
|---|----------|
| X | 15 7/8" |
| Y | 8 5/8" |
| Z | 4 11/16" |

Note - All dimensions have a tolerance of ±0.25 in.
 = Center of Gravity

Job Name/Location: Qty 2.

Tag #: AHU-2, AHU-6

Date: _____

For: File Resubmit

PO No.: _____

Approval Other _____

Architect: _____

GC: _____

Engr: _____

Mech: _____

Rep: _____

(Company)

(Project Manager)



ARNU243BHA2

Multi V™ Ducted (High Static)
24,200 Btu/h Indoor Unit



Performance:

| | |
|--------------------------------|--------|
| Total Cooling Capacity (Btu/h) | 24,200 |
| Heating Capacity (Btu/h) | 27,300 |
| Power Input ¹ (W) | 150 |

Cooling Nominal Test Conditions:

Indoor: 80°F DB/67°F WB

Outdoor: 95°F DB

Heating Nominal Test Conditions:

Indoor: 70°F DB

Outdoor: 47°F DB/43°F WB

Electrical:

| | |
|-----------------------|--------------|
| Power Supply (V/Hz/Ø) | 208-230/60/1 |
| Rated Amps (A) | 0.92 |

Piping:

Refrigerant:

| | |
|----------------------|-----------|
| Liquid Line (in, OD) | 3/8 Flare |
| Vapor Line (in, OD) | 5/8 Flare |

Condensate:

| | |
|-------------------------------------|-----|
| Condensate Line (in,OD) | 1 |
| Factory Installed Pump ² | Yes |

Controls Features:

- Auto changeover (Heat Recovery only)
- Auto operation
- Auto restart
- Child lock
- Dual thermistor control
- Group control
- E.S.P. control
- Hot start
- Self diagnostics
- Sleep mode
- Timer (on/off)
- Weekly schedule
- Soft dry (dehumidification)
- Fan speed control

Optional Accessories:

- Wireless Handheld Remote Controller³ (PQWRHDF0)
- 7-Day Programmable Controller (PQRCUSA)
- Simple Controller with Mode (PQRCUCS0C)
- Simple Controller without Mode (PQRCFCS0C)
- Dry Contact Unit (PQDSB1, PQDSBC)
- Wall Mounted Temperature Sensor (PQRSTA0)

Entering Mixed Air:

| | |
|----------------------------------|----|
| Cooling Max ⁴ (°F WB) | 76 |
| Heating Min (°F DB) | 59 |

Unit Data:

| | |
|---|---------------------|
| Refrigerant Type | R410A |
| Refrigerant Control | EEV |
| Sound Pressure ⁵ dB(A) (H/M/L) | 45/43/41 |
| Filter | Washable Pre-filter |
| Net Unit Weight (lbs) | 59 |
| Shipping Weight (lbs) | 68 |

Fan:

| | |
|---|---------------------------------------|
| Type | Sirocco |
| Quantity | 1 |
| Motor/Drive | Brushless Digitally Controlled/Direct |
| Airflow Rate H/M/L (CFM) | 646/597/547 |
| External Static Pressure ⁶ (in wg) | 0.31 |

Standard Features:

- Limited Warranty with LG Certified Installation
- Two Year Functional Parts Warranty

Notes:

- 1.The Power input is rated at high speed.
- 2.Maximum lift is 27 in from bottom of unit.
- 3.Requires a 7-Day programmable controller.
- 4.See Engineering Manual for sensible and latent capacities.
- 5.Sound Pressure levels are tested in an anechoic chamber under ISO Standard 1996.
- 6.Factory set as standard.
- 7.All communication cable to be minimum 18 AWG, 2-conductor, stranded, shielded and must comply with applicable local and national code.
- 8.Power wiring cable size must comply with the applicable local and national code.
- 9.This unit comes with a dry nitrogen charge.
- 10.This data is rated 0 ft above sea level, with 25 ft of refrigerant line per indoor unit and a 0 ft level difference between outdoor and indoor units. All capacities are net with a combination ratio between 95 – 105%.
- 11.Must follow installation instructions in the applicable LG installation manual.



Job Name/Location:

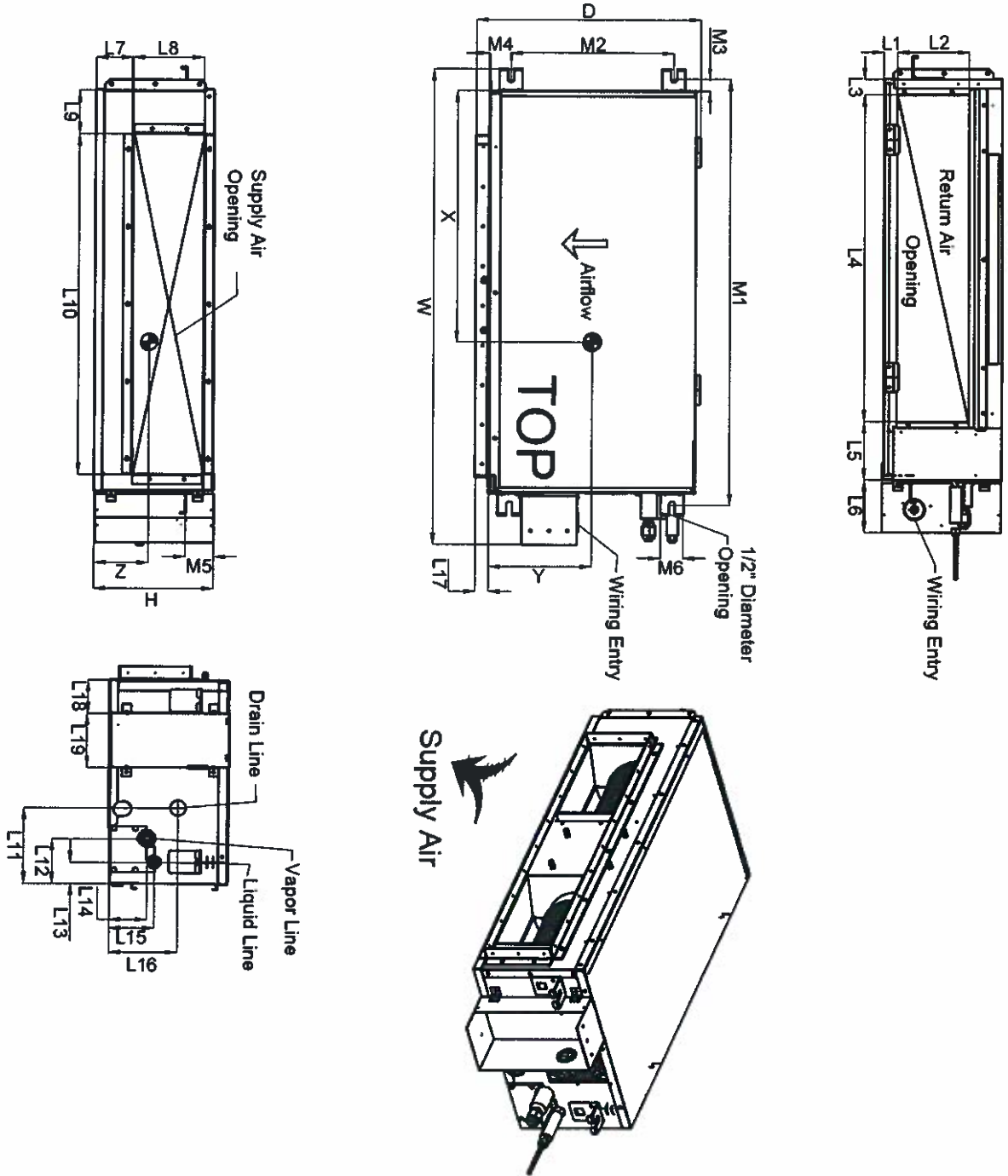
ARNU243BHA2
 Multi V™ Ducted (High Static)
 24,200 Btu/h Indoor Unit



Tag #:

Date:

PO No.:



| | |
|-----|-----------|
| W | 41 1/8" |
| D | 19 5/16" |
| H | 10 5/16" |
| L1 | 13/16" |
| L2 | 6 7/8" |
| L3 | 7/8" |
| L4 | 29 3/8" |
| L5 | 4 1/2" |
| L6 | 4 1/4" |
| L7 | 2 7/8" |
| L8 | 6 1/4" |
| L9 | 1 5/8" |
| L10 | 29 1/2" |
| L11 | 6 9/16" |
| L12 | 3 15/16" |
| L13 | 1 7/8" |
| L14 | 3 1/8" |
| L15 | 3 3/4" |
| L16 | 6 3/4" |
| L17 | 1 3/16" |
| L18 | 2 15/16" |
| L19 | 4 11/16" |
| M1 | 36 11/16" |
| M2 | 14" |
| M3 | 1" |
| M4 | 1 7/8" |
| M5 | 2 1/2" |
| M6 | 2" |

Center of Gravity
ARNU243BHA2

| | |
|---|----------|
| X | 15 7/8" |
| Y | 8 5/8" |
| Z | 4 11/16" |

Note - All dimensions have a tolerance of ± 0.25 in.
 = Center of Gravity

Job Name/Location: 04-3

Tag #: AHU-3 AHU-4 AHU-7

| | | | |
|------------|-------------------|----------|-------------|
| Date: | For: | File | Resubmit |
| PO No.: | | Approval | Other _____ |
| Architect: | GC: | | |
| Engr: | Mech: | | |
| Rep: | | | |
| (Company) | (Project Manager) | | |



ARNU283BGA2
Multi V™ Ducted (High Static)
28,000 Btu/h Indoor Unit



Performance:

| | |
|--------------------------------|--------|
| Total Cooling Capacity (Btu/h) | 28,000 |
| Heating Capacity (Btu/h) | 31,500 |
| Power Input ¹ (W) | 450 |

Cooling Nominal Test Conditions:
Indoor: 80°F DB/67°F WB
Outdoor: 95°F DB

Heating Nominal Test Conditions:
Indoor: 70°F DB
Outdoor: 47°F DB/43°F WB

Electrical:

| | |
|-----------------------|--------------|
| Power Supply (V/Hz/Ø) | 208-230/60/1 |
| Rated Amps (A) | 2.3 |

Piping:

Refrigerant:

| | |
|----------------------|-----------|
| Liquid Line (in, OD) | 3/8 Flare |
| Vapor Line (in, OD) | 5/8 Flare |

Condensate:

| | |
|-------------------------------------|-----|
| Condensate Line (in,OD) | 1 |
| Factory Installed Pump ² | Yes |

Controls Features:

- Auto changeover (Heat Recovery only)
- Auto operation
- Auto restart
- Child lock
- Dual thermistor control
- Group control
- E.S.P. control
- Hot start
- Self diagnostics
- Sleep mode
- Timer (on/off)
- Weekly schedule
- Soft dry (dehumidification)
- Fan speed control

Optional Accessories:

- Wireless Handheld Remote Controller³ (PQWRHDF0)
- 7-Day Programmable Controller (PQRCUSA)
- Simple Controller with Mode (PQRCUCS0C)
- Simple Controller without Mode (PQRCFCS0C)
- Dry Contact Unit (PQDSB1, PQDSBC)
- Wall Mounted Temperature Sensor (PQRSTA0)

Entering Mixed Air:

| | |
|----------------------------------|----|
| Cooling Max ⁴ (°F WB) | 76 |
| Heating Min (°F DB) | 59 |

Unit Data:

| | |
|---|---------------------|
| Refrigerant Type | R410A |
| Refrigerant Control | EEV |
| Sound Pressure ⁵ dB(A) (H/M/L) | 44/42/40 |
| Filter | Washable Pre-filter |
| Net Unit Weight (lbs) | 84 |
| Shipping Weight (lbs) | 95 |

Fan:

| | |
|---|---------------------------------------|
| Type | Sirocco |
| Quantity | 1 |
| Motor/Drive | Brushless Digitally Controlled/Direct |
| Airflow Rate H/M/L (CFM) | 915/851/770 |
| External Static Pressure ⁶ (in wg) | 0.39 |

Standard Features:

- Limited Warranty with LG Certified Installation
- Two Year Functional Parts Warranty

Notes:

- 1.The Power Input is rated at high speed.
- 2.Maximum lift is 27 in from bottom of unit.
- 3.Requires a 7-Day programmable controller.
- 4.See Engineering Manual for sensible and latent capacities.
- 5.Sound Pressure levels are tested in an anechoic chamber under ISO Standard 1996.
- 6.Factory set as standard.
- 7.All communication cable to be minimum 18 AWG, 2-conductor, stranded, shielded and must comply with applicable local and national code.
- 8.Power wiring cable size must comply with the applicable local and national code.
- 9.This unit comes with a dry nitrogen charge.
- 10.This data is rated 0 ft above sea level, with 25 ft of refrigerant line per indoor unit and a 0 ft level difference between outdoor and indoor units. All capacities are net with a combination ratio between 95 – 105%.
- 11.Must follow installation instructions in the applicable LG installation manual.



Job Name/Location:

ARNU283BGA2

Multi V™ Ducted (High Static)

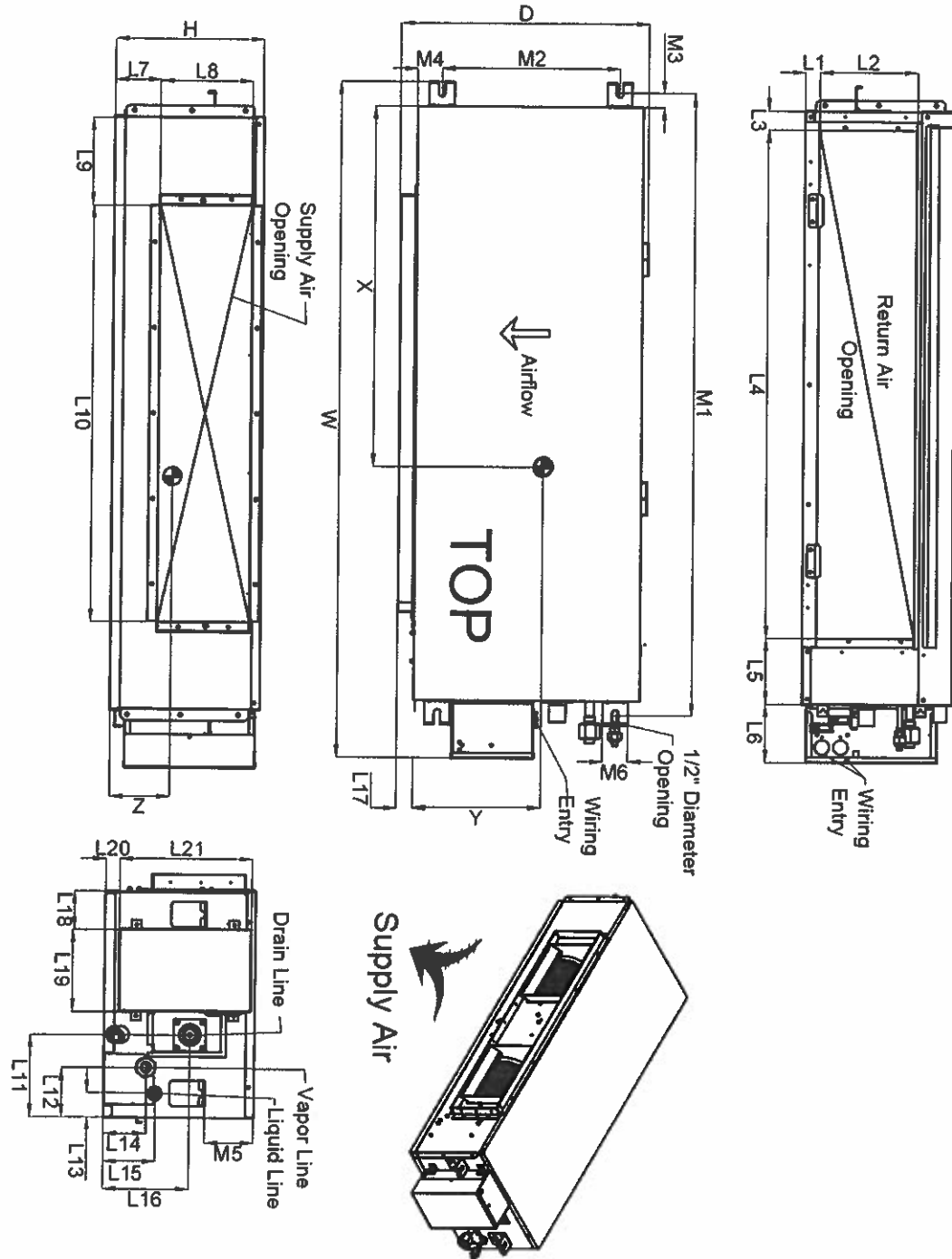
28,000 Btu/h Indoor Unit



Tag #:

Date:

PO No.:



| | |
|-----|-----------|
| W | 53" |
| D | 19 5/16" |
| H | 11 3/4" |
| L1 | 13/16" |
| L2 | 8 5/8" |
| L3 | 15/16" |
| L4 | 4 1/4" |
| L5 | 4 1/2" |
| L6 | 4 1/4" |
| L7 | 3 3/8" |
| L8 | 7 5/16" |
| L9 | 1 5/8" |
| L10 | 32 11/16" |
| L11 | 6 3/8" |
| L12 | 3 15/16" |
| L13 | 1 7/8" |
| L14 | 3 1/8" |
| L15 | 3 15/16" |
| L16 | 6 3/4" |
| L17 | 1 3/8" |
| L18 | 3" |
| L19 | 6 3/8" |
| L20 | 1 1/8" |
| L21 | 10 3/8" |
| M1 | 48 7/16" |
| M2 | 14" |
| M3 | 1" |
| M4 | 1 9/16" |
| M5 | 2 1/2" |
| M6 | 2" |

Center of Gravity
ARNU283BGA2

| | |
|---|---------|
| X | 21 1/4" |
| Y | 8 5/8" |
| Z | 5 3/8" |

Note - All dimensions have a tolerance of ± 0.25 in.
 = Center of Gravity

Tag #: BA-2
AHU-10, AHU-11
 Date : _____
 Job Name: _____
 Job Location: _____
 PO No.: _____
 For : Approval Reference

Architect: _____
 Engineer: _____
 General Contractor: _____
 Installing Contractor: _____
 Submitted By: _____

Submittal Data : ARNU243NJA2 Multi V™ Series – 2.0 Ton Indoor Unit
 Vertical (Upflow) / Horizontal (Left) Air Handling Unit



Capacities :

| | |
|---|--------|
| Cooling Capacity (Btu/h) | 24,000 |
| Power Input (kW, Cooling) | 0.120 |
| Heating Capacity (Btu/h) | 27,000 |
| Power Input (kW, Heating) | 0.120 |
| Cooling Nominal Test Condition : Indoor : 80°F DB / 67°F WB Outdoor : 95°F DB / 75°F WB | |
| Heating Nominal Test Condition : Indoor : 70°F DB / 59°F WB Outdoor : 47°F DB / 43°F WB | |



Power Supply¹ :

| | |
|------------------------------------|--------------|
| Power Supply (V/Hz/Ph) | 208-230/60/1 |
| Minimum Circuit Ampacity (A) | 0.85 |
| Maximum Overcurrent Protection (A) | 15 |
| Full Load Amps (A) | 0.68 |



Fan :

| | |
|---|---------------|
| Type/Drive | Sirocco/Drive |
| Quantity | 1 |
| Fan Motor Output (kW) | 0.096 |
| Airflow Rate (CFM, H/M/L, High Static Mode) | 710/640/480 |
| External Static Pressure (inAq, High Static Mode) | 0.50 |
| Static pressure without filter. | |

Refrigerant Piping :

| | |
|---|---------|
| Refrigerant | R410A |
| Control | EEV |
| Liquid Line Connection (inches, O.D) | 3/8 |
| Gas Line Connection, O.D) | 5/8 |
| Drain Line Connection (inches, O.D, I.D) | 3/4 FPT |
| For primary and secondary drain connection. | |

Accessory Options:

- Handheld Remote Controller – PQWRHDF0 (PQRCUSA1 required)
- Standard Type Wired Remote Controller – PQRCUSA1
- Simple Type Wired Remote Controller – PQRCUCS0C
 - without mode – PQRCFCSS0C
- Dry Contact Unit
 - PQDSB1
 - PQDSBC
- Electric Heat Kit
 - ANEH05381 (5 kW)
 - ANEH103B2 (10 kW)

Unit Data :

| | |
|--|----------------------|
| Sound Pressure ² (dB(A), H/M/L) | 43/42/41 |
| Net Weight (lbs) | 130 |
| Dimensions (WxDxH) | 18 x 21-3/8 x 48-5/8 |

Standard Features :

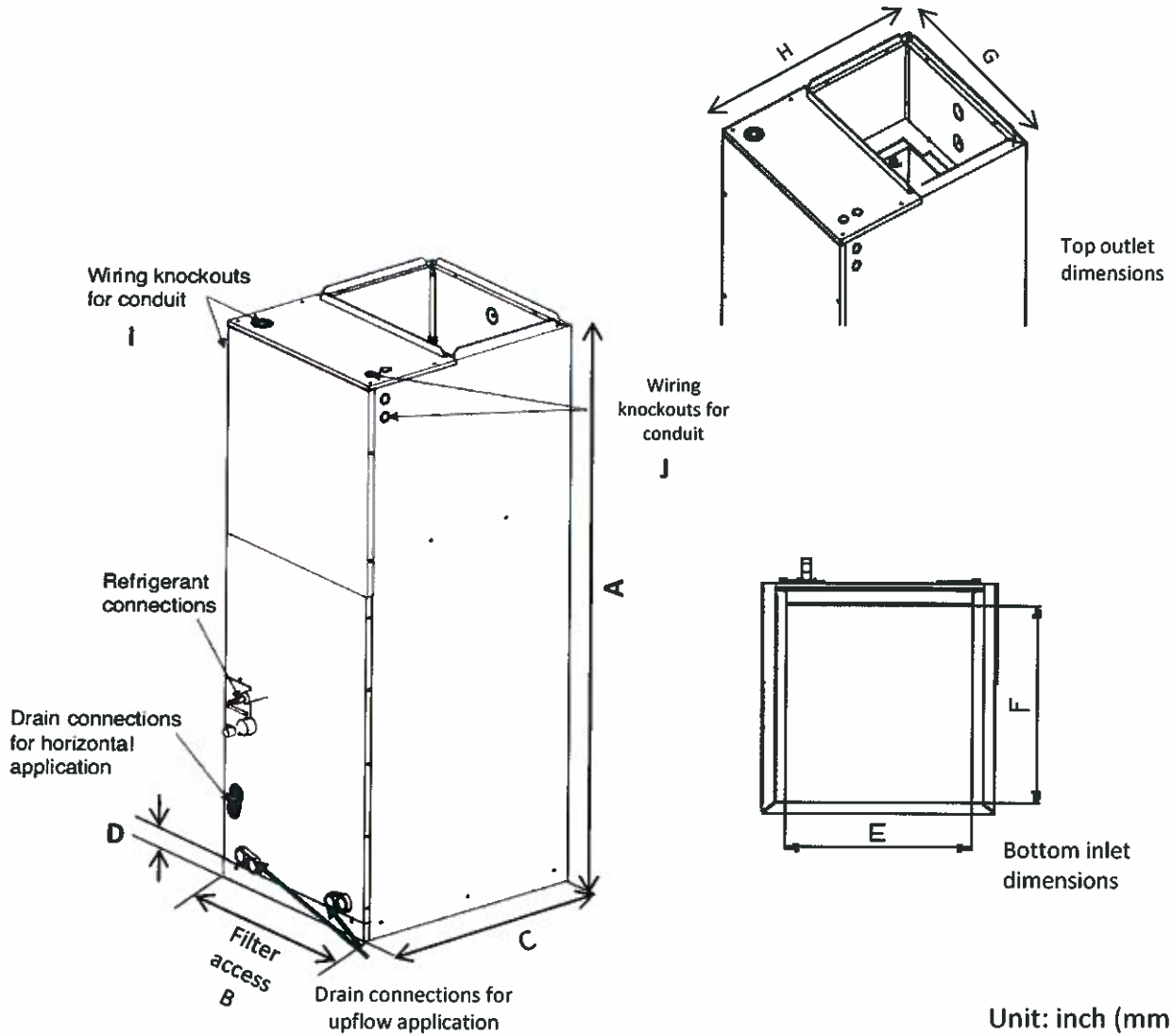
- Warranty with LG Certified Installation
 - Two Year Functional Parts Warranty
- ESP Control
- Auto Changeover (available with Multi V Sync II)
- Auto Restart
- BLDC Fan Motor
- Self Diagnosis
- Two Thermistor Control
- Access panel for field supplied air filter
 - (16 x 20 x 1)

Notes:

1. Electrical data listed is without an electric heat kit accessory option. The addition of an electric heat kit accessory option will change the electrical data.
2. Sound Pressure levels are tested in an anechoic chamber under Korea Standard KSA0701.
3. Wiring cable size must comply with the applicable local and national code.
4. Adjust fan speed to correct for static pressure increases when using field supplied air filter or heat kit.

Submittal Data : ARNU243NJA2

Multi V™ Series – 2.0 Ton Indoor Unit
Vertical Air Handling Unit Type



Unit: inch (mm)

| Capacity (kBtu/h (RT)) | Dimensions | | | | | | | | Wiring Knock Out | | Refrigerant Connections Pipe Size | |
|----------------------------------|------------------|-------------|-----------------|----------------|-----------------|-----------------|-------------|-----------------|------------------|-----------------------|--------------------------------------|----------------|
| | A | B | C | D | E | F | G | H | I | J | Liquid | Gas |
| | Height | Width | Depth | | | | | | Power | Comm unicati on | | |
| 18 (1.5) | 48-5/8 (1235) | 18 (457) | 21-3/8 (540) | 1-9/16 (40) | 17-1/2 (445) | 20-7/8 (530) | 17 (432) | 12-1/8 (308) | 1-11/16 (43) | 7/8 (22) | 1/4 (6.35) | 1/2 (12.7) |
| 24 (2.0) 30 (2.5) | 48-5/8 (1235) | 18 (457) | 21-3/8 (540) | 1-9/16 (40) | 17-1/2 (445) | 20-7/8 (530) | 17 (432) | 12-1/2 (308) | 1-11/16 (43) | 7/8 (22) | 3/8 (9.52) | 5/8 (15.88) |
| 36 (3.0) 42 (3.5) 48 (4.0) | 55-1/8 (1401) | 25 (635) | 21-3/8 (540) | 1-9/16 (40) | 24-1/2 (623) | 20-7/8 (530) | 24 (610) | 12-1/2 (308) | 1-11/16 (43) | 7/8 (22) | 3/8 (9.52) | 5/8 (15.88) |
| 54 (4.5) | 55-1/8 (1401) | 25 (635) | 21-3/8 (540) | 1-9/16 (40) | 24-1/2 (623) | 20-7/8 (530) | 24 (610) | 12-1/2 (308) | 1-11/16 (43) | 7/8 (22) | 3/8 (9.52) | 3/4 (19.05) |

Job Name/Location:

Tag #:

| | | | |
|---------|------|----------|----------|
| Date: | For: | File | Resubmit |
| PO No.: | | Approval | Other |

Architect: _____ GC: _____

Engr: _____ Mech: _____

Rep: _____
(Company) (Project Manager)

PQRCVCLOQ(W)
 Simple Controller with Mode Selection



PQRCVCLOQ



PQRCVCLOQW

Unit Data:

| | |
|--|------------------------------------|
| Max Number of Indoor Units (Group Control) | 16 |
| Temperature Value | Fahrenheit (1° Increments)/Celsius |
| Dimensions | 4-3/4" L x 2-3/4" W x 5/8" H |
| Weight | 0.18 lbs |

Temperature Value depends on equipment.

Operating Range:

| | |
|--------------|-------|
| Cooling (°F) | 64-86 |
| Heating (°F) | 60-86 |

Communications Cabling Specifications (V-Net):

| | |
|--------|----------|
| Type | Included |
| Length | 33 feet |

Communication cable can be extended to a maximum of 164 feet by using the Wired Zone Controller Extension Cable - PZCWRC1 (maximum 4 kits). Field splicing is prohibited.

Standard Features:

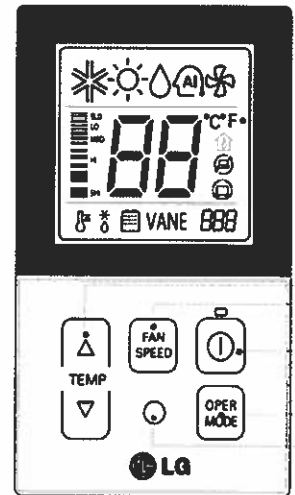
- Unit Operation – On/Off
- Mode Selection – Cool/Heat/Dry/Fan/Auto
- Fan Speed Selection
- Air Flow Direction¹
- Static Pressure Setting
- Child Lock
- LED Indicator for unit operating status
- Master/Slave Setting for Multiple Controller Installation
- Room Temperature Sensing Location (Zone Controller, Indoor Unit, 2-Thermistor)
- Discharge Vanes – Auto Swing/Fixed¹
- Manual Central Control Addressing

Notes:

¹Available with indoor units equipped for this function. Must follow installation instructions in the applicable LG installation manual.

Optional Accessories:

- 33-foot Extension Cable Assembly (PZCWRC1)
- Group Control Cable Kit (PZCWRCG3)



- 1 - Operation Display
- 2 - Room Temperature Setting
- 3 - Fan Speed Button
- 4 - On/Off Button
- 5 - Operation Mode Selection Button
- 6 - Wireless Remote Controller Receiver