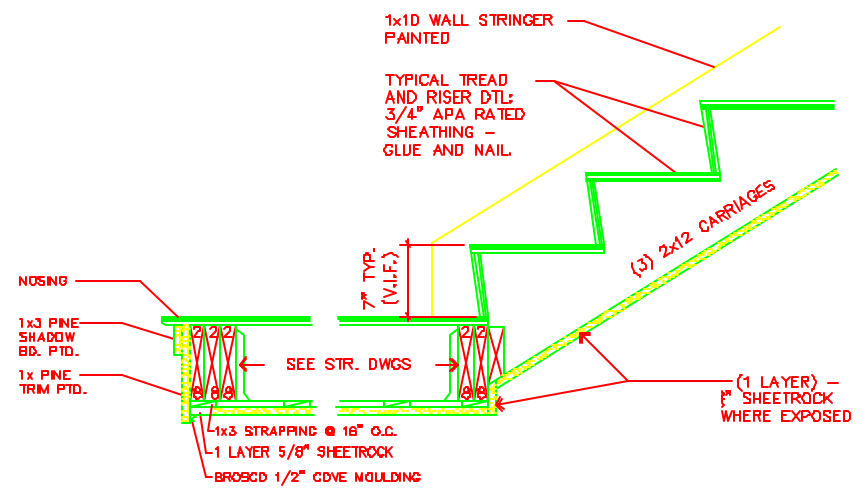
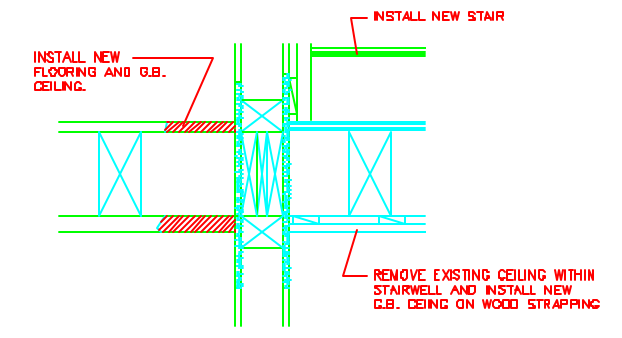


STAIR NOTE: CONTRACTOR TO VERIFY TOTAL RISE OF STAIR. MAXIMUM 7" RISER, TREADS TO BE 11".

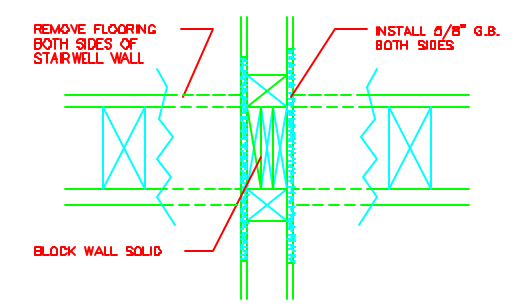
A STAIR DETAIL
SCALE: 1 1/2" = 1'-0"



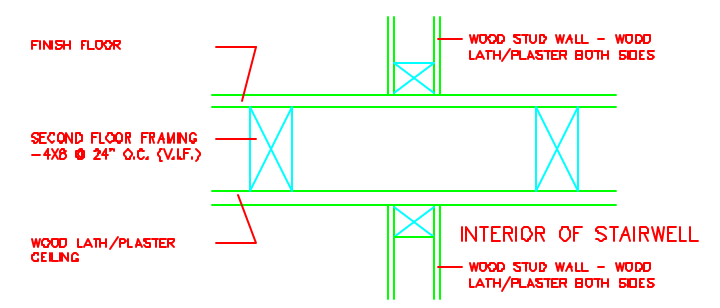
B STAIR DETAIL
SCALE: 1 1/2" = 1'-0"



3 SECTION AT INSTALLATION OF NEW FLOOR SYSTEMS.

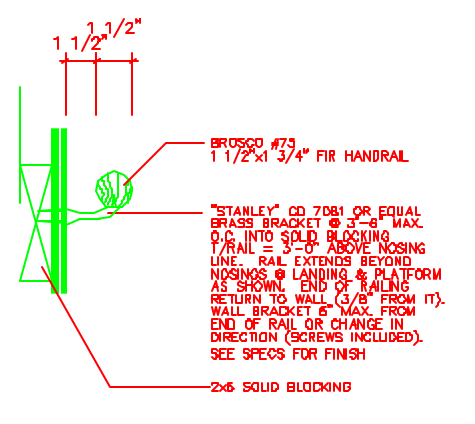


2 SECTION AT REMOVAL OF EXISTING FLOOR SYSTEM PENETRATION THROUGH STAIRWELL.

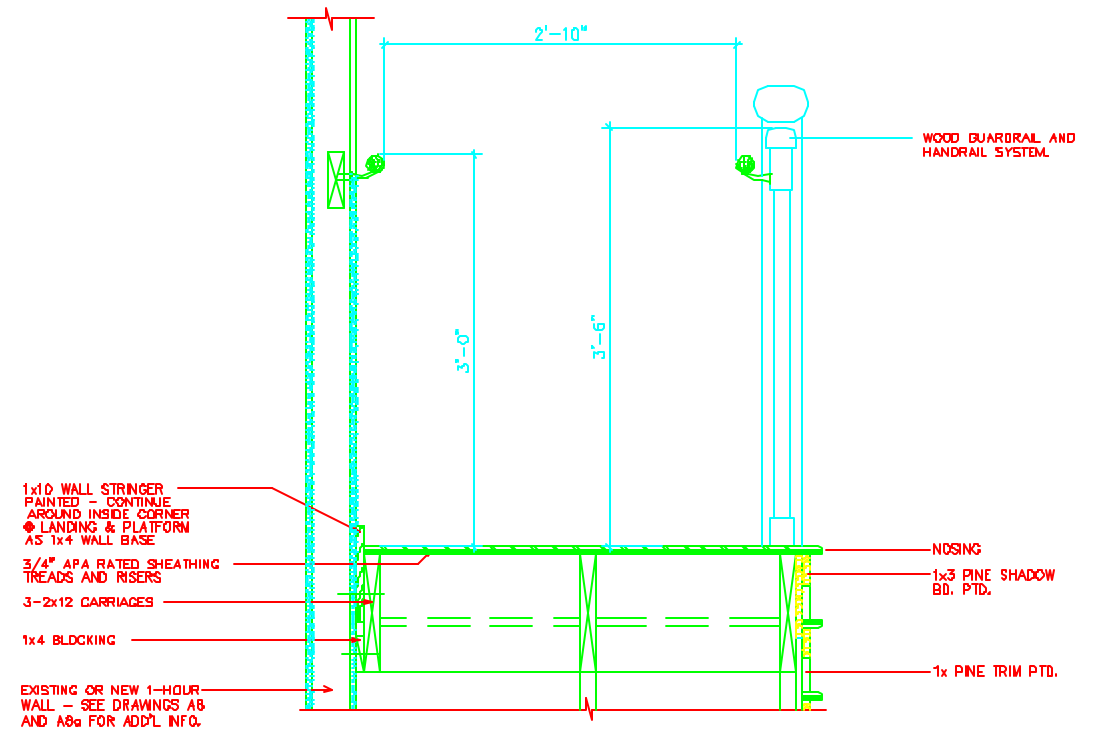


1 SECTION AT EXISTING PENETRATION OF FLOOR SYSTEM THROUGH STAIRWELL.

E STAIRWELL FIRE RATING DETAIL
SCALE: 1 1/2" = 1'-0"



C WALL MTD. STAIR HANDRAIL DET.
SCALE: 6" = 1'-0"



D STAIR DETAIL
SCALE: 1 1/2" = 1'-0"

ARCHETYPE, P.A.
ARCHITECTS
48 Union Wharf Portland, Maine 04101
(207) 772-6022 Fax (207) 772-4056

Project:
90 - 92 HIGH STREET RENOVATIONS
90 - 92 HIGH STREET
PORTLAND, MAINE

Date	Drawn By	Revisions

Scale AS NOTED
Checked By

STAIR DETAILS

A8b