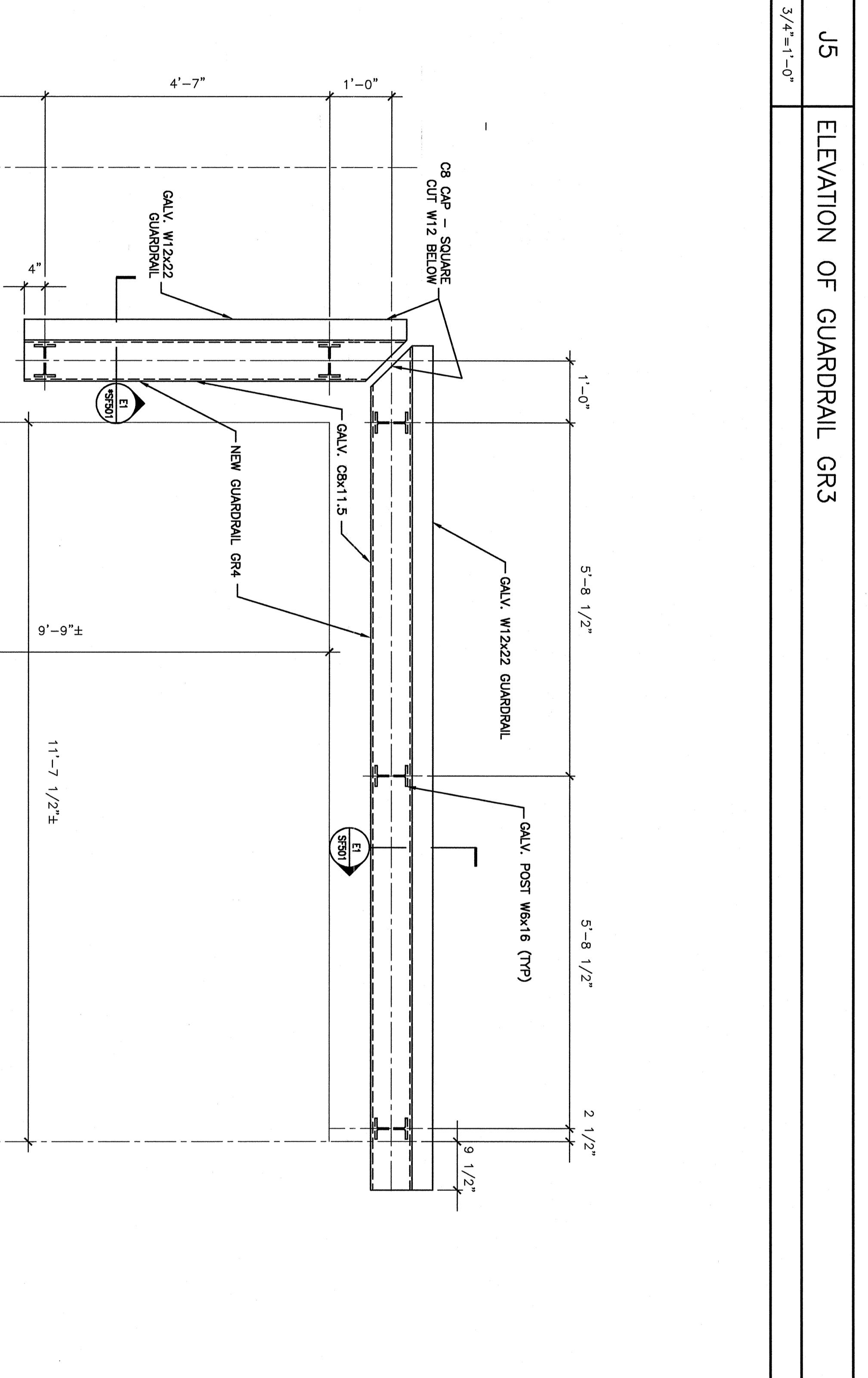
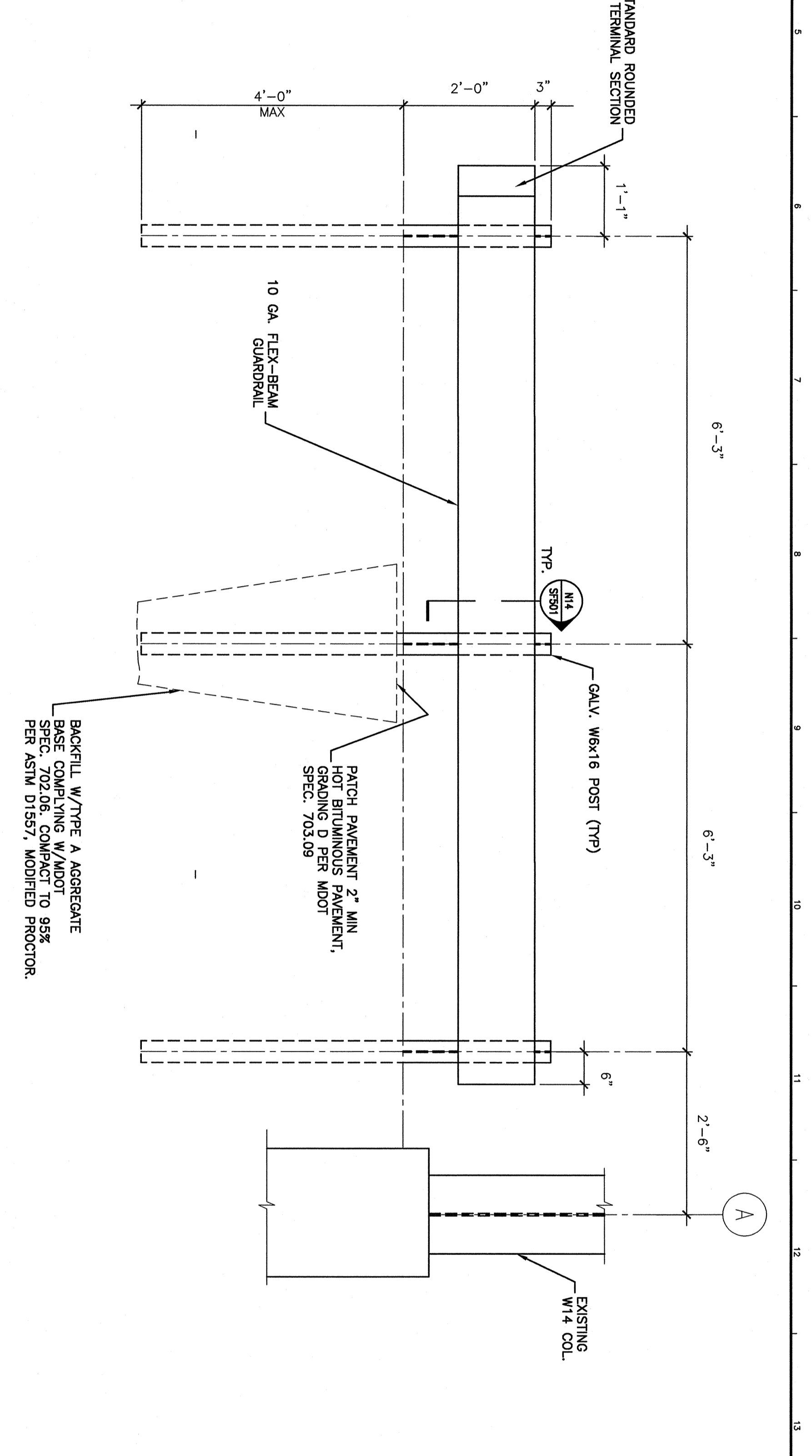
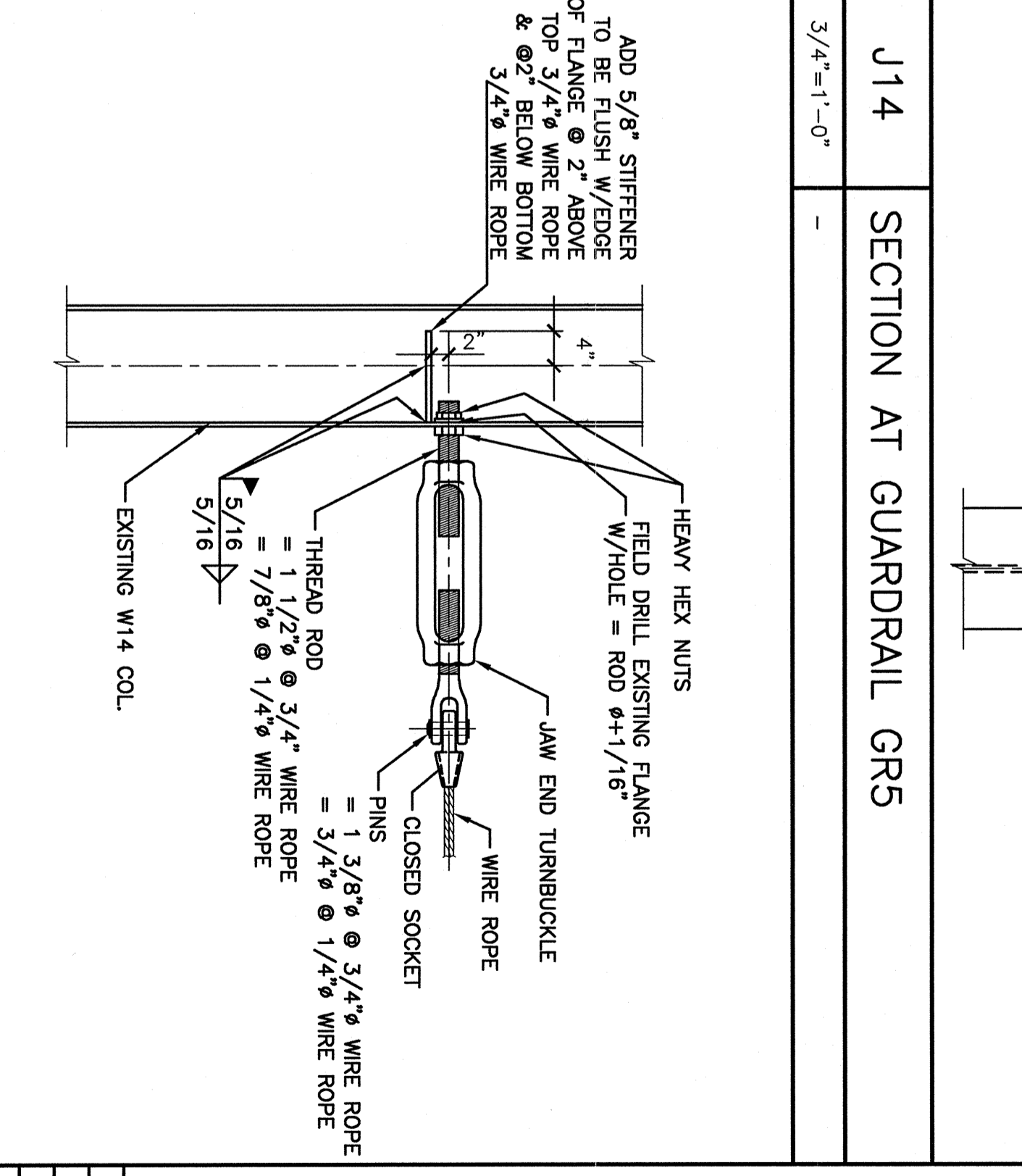
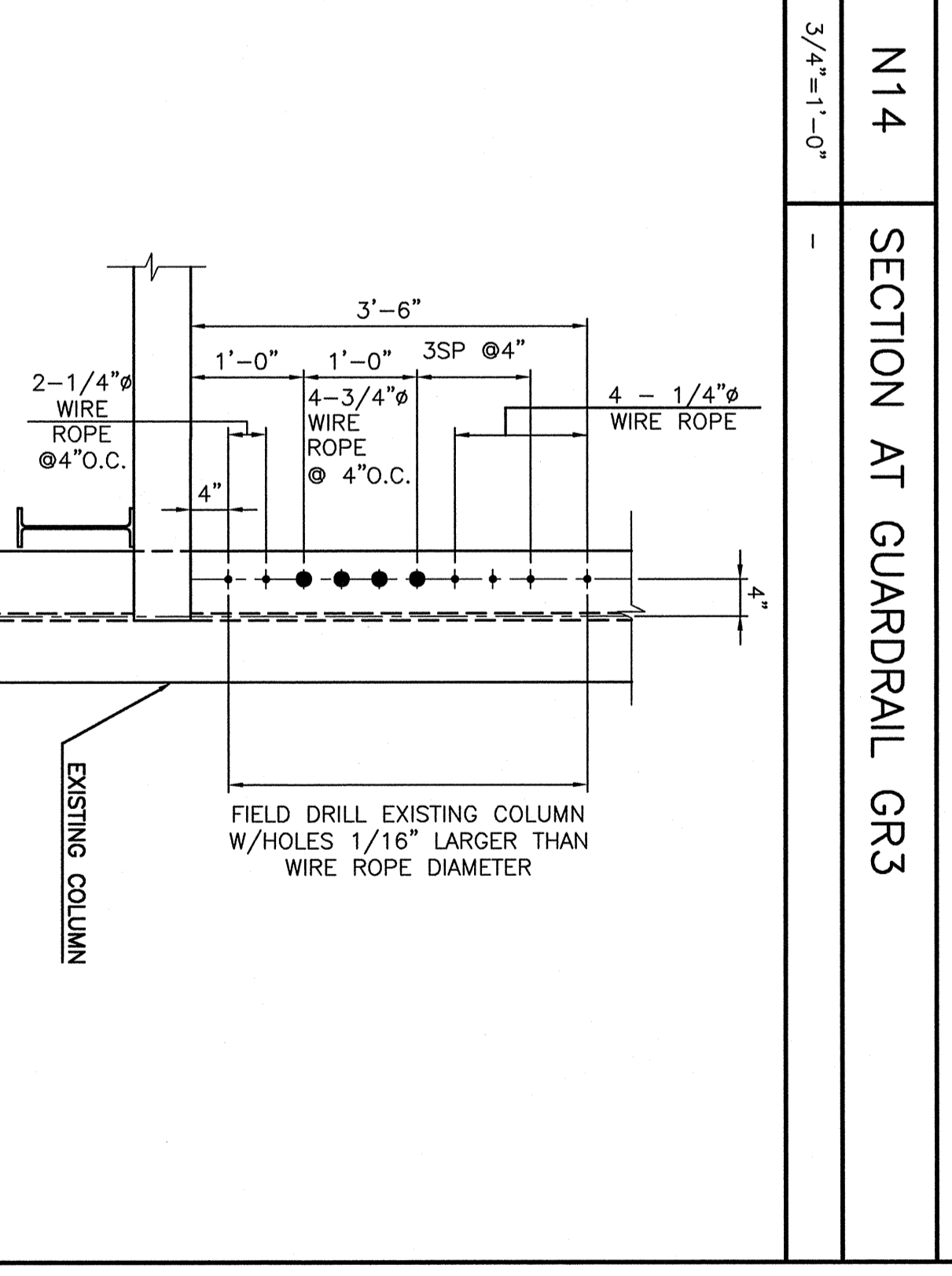
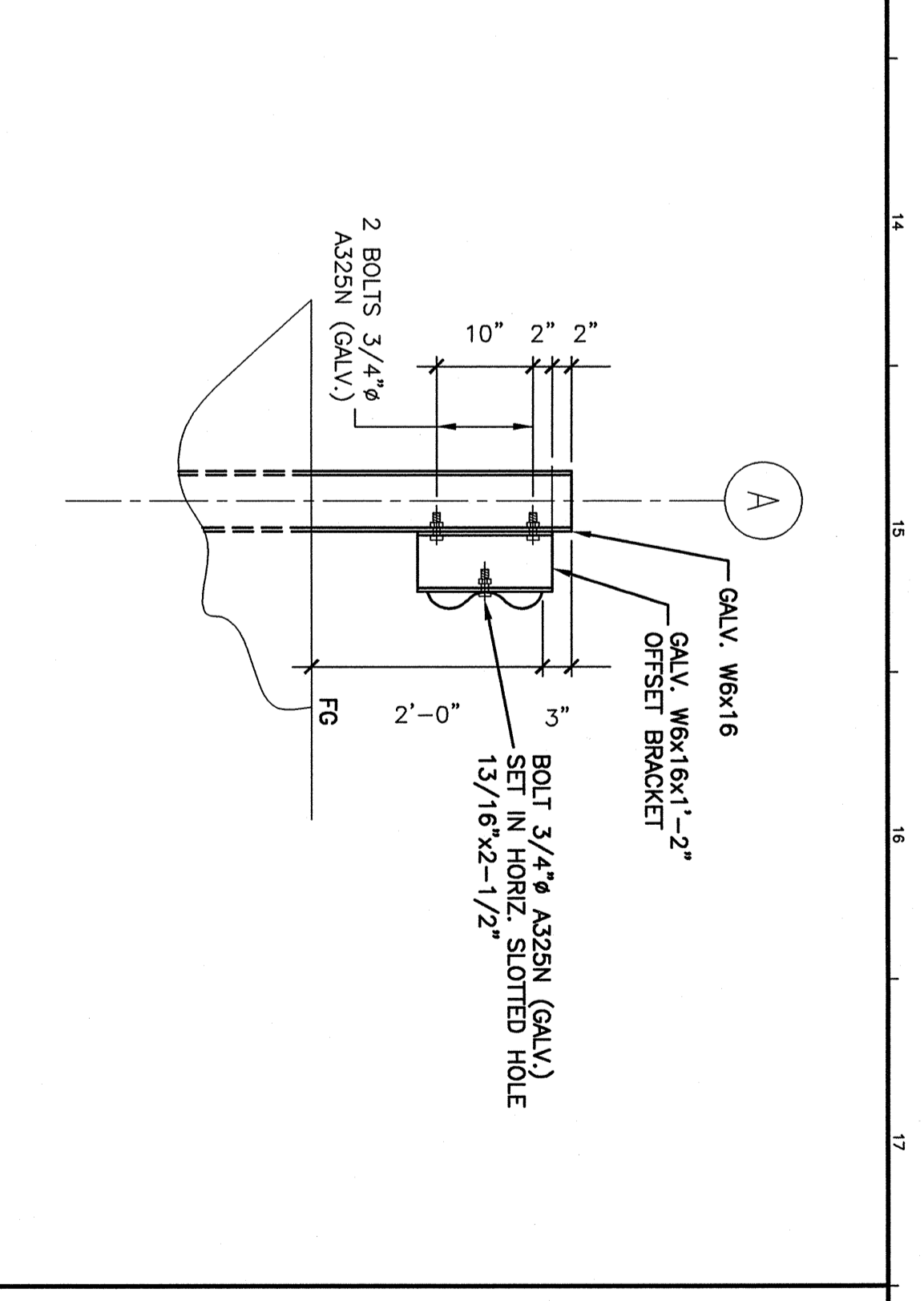


E1	SECTION AT GUARDRAIL GR4
A1	TYPICAL GUARDRAIL GR4 POST BASE PLATE



J5	ELEVATION OF GUARDRAIL GR3
A5	SECTION T



N14	SECTION @ GUARDRAIL GR3
J14	SECTION AT GUARDRAIL GR5
E14	TYPICAL END CONNECTION @ GUARDRAIL GR5
A14	*

**ISSUED FOR PERMITTING**  
07-18-07

PROJECT: 110 FREE STREET

ARCHITECTURE ENGINEERING PLANNING  
SM RT  
144 Free Street, 6. Box 618  
Portland, Maine 04104  
Tel: (207) 772-3846  
Fax: (207) 772-1000

PROJECT NORTH

SECTION & DETAILS

SHEET TITLE: AS NOTED DATE: 07/05/07

PROJECT MANAGER: JLM GRAPHIC SCALE: 1" = 1'-0"

JOB CAP/DRAWN: LVE

A/E OF RECORD: MGC

SHEET NO. SF501

DATE: 07/05/07

PROJECT NO. 07087