

- DEMOLITION NOTES:**
- 1 REMOVE EXISTING HANDRAIL AND VERTICAL SUPPORT.
  - 2 REMOVE EXISTING DOOR AND FRAME @ LOWEST LEVEL ONLY.
  - 3 SAND STEEL CURTAIN WALL AND PREPARE FOR PAINT.
  - 4 PREPARE INTERIOR BLOCK SURFACE FOR PAINT.

**GENERAL NOTES:**

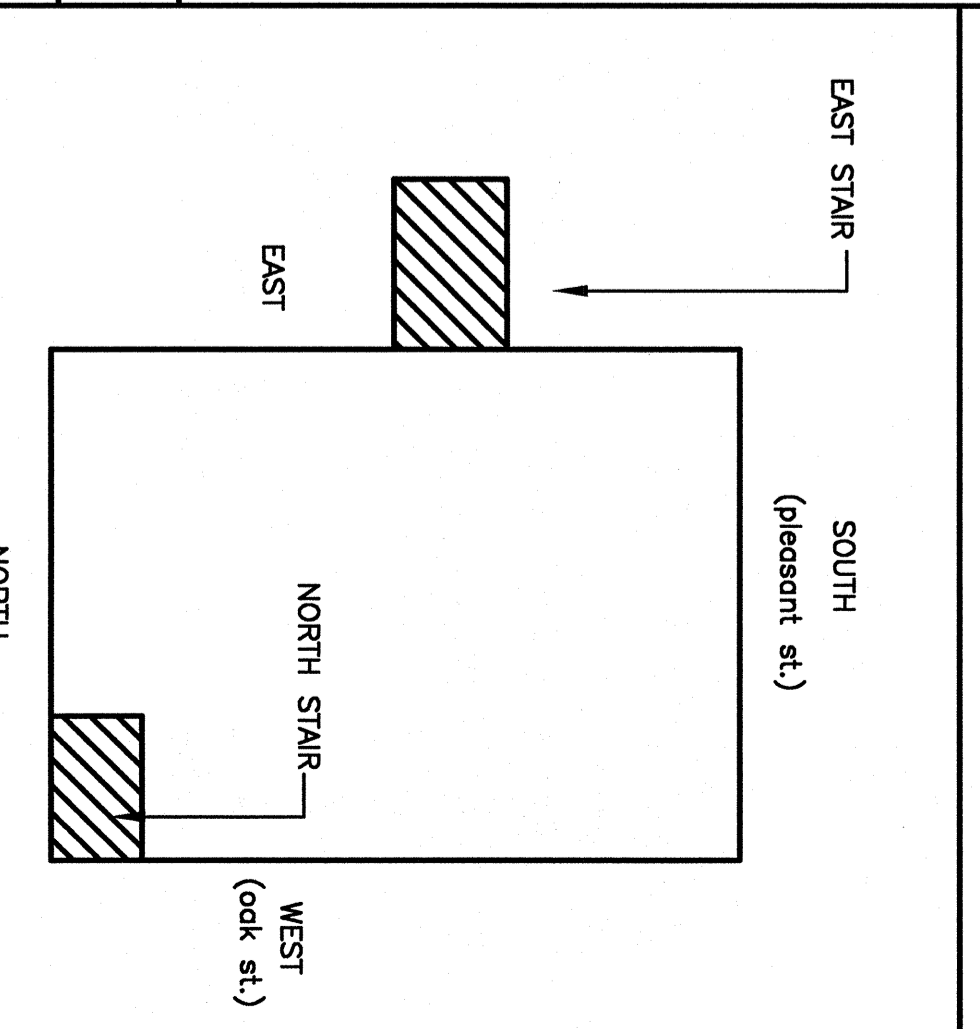
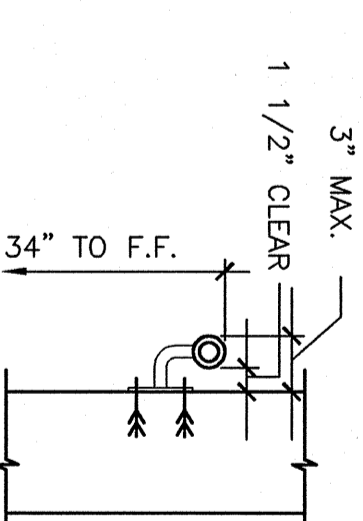
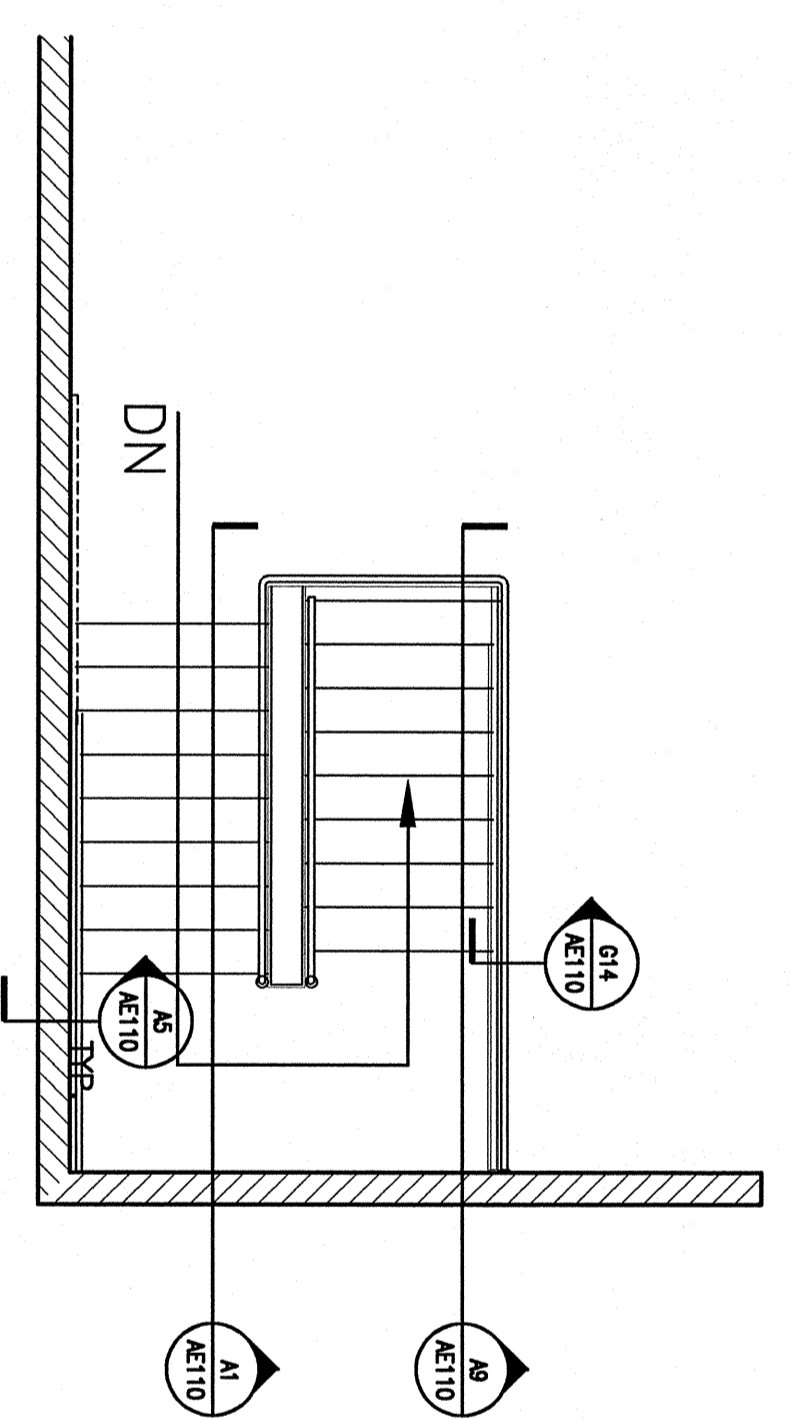
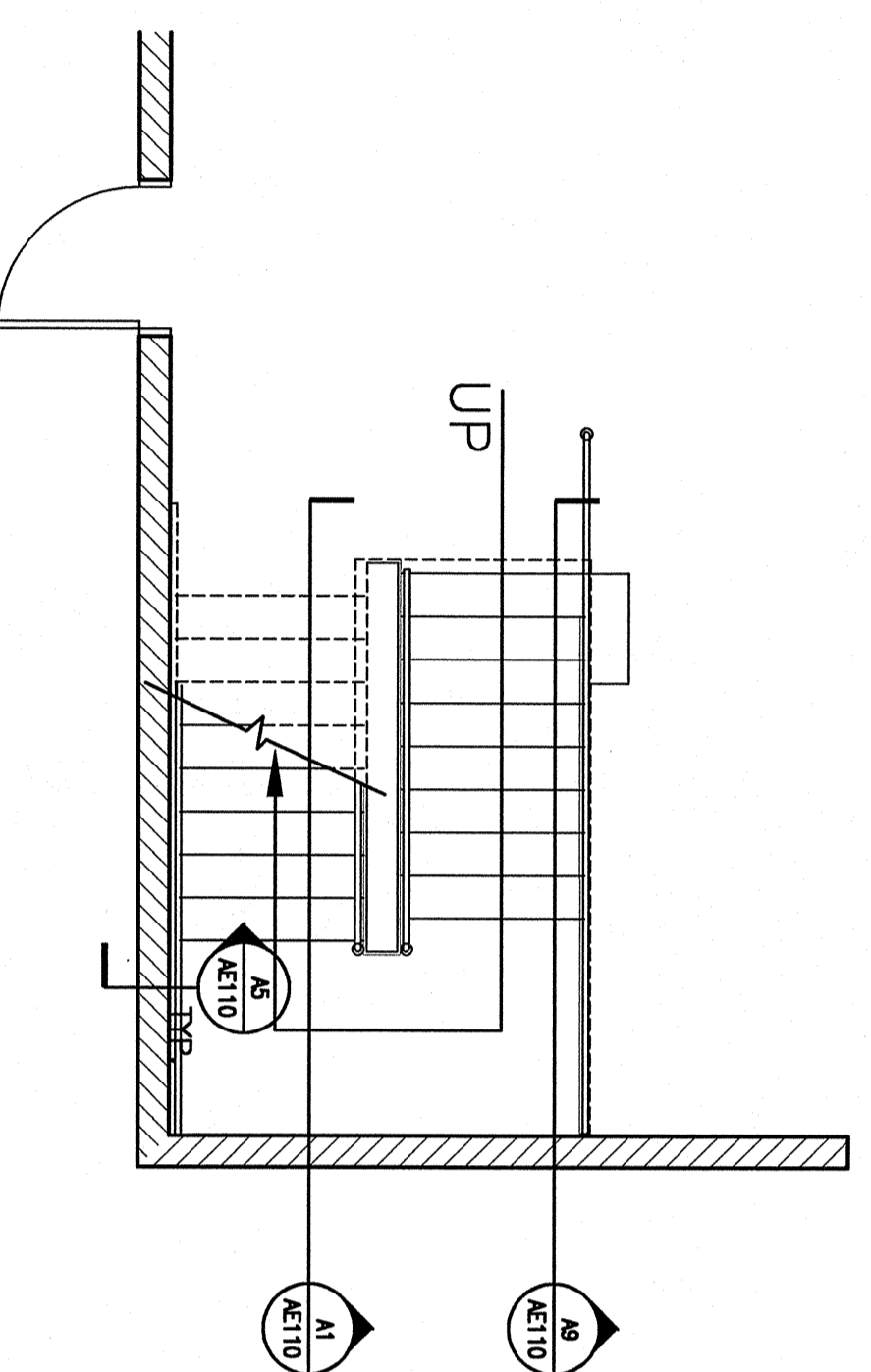
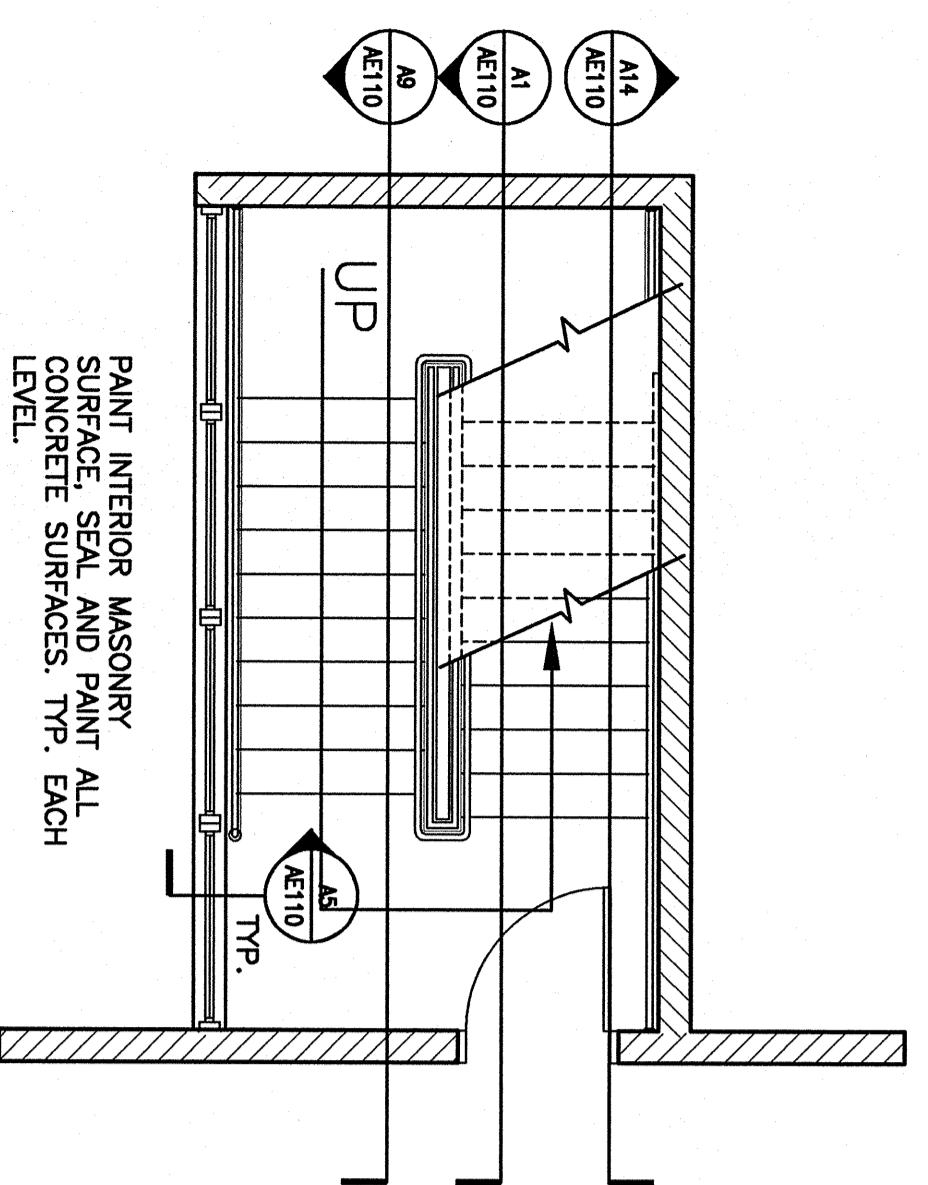
1. SEE AE101 FOR GENERAL NOTES.

**M1 STAIR DEMOLITION PLAN**  
1/4"=1'-0"  
TYP. FOR ENTIRE STAIRWELL

**M5 STAIR DEMOLITION PLAN (GROUND FLOOR)**  
1/4"=1'-0"  
\*

**M9 STAIR DEMOLITION PLAN (SECOND FLOOR)**  
1/4"=1'-0"  
\*

**M14 STAIR DEMOLITION SECTION**  
1"=1'-0"  
TYP. FOR EACH STAIR



**KEY NOTES:**

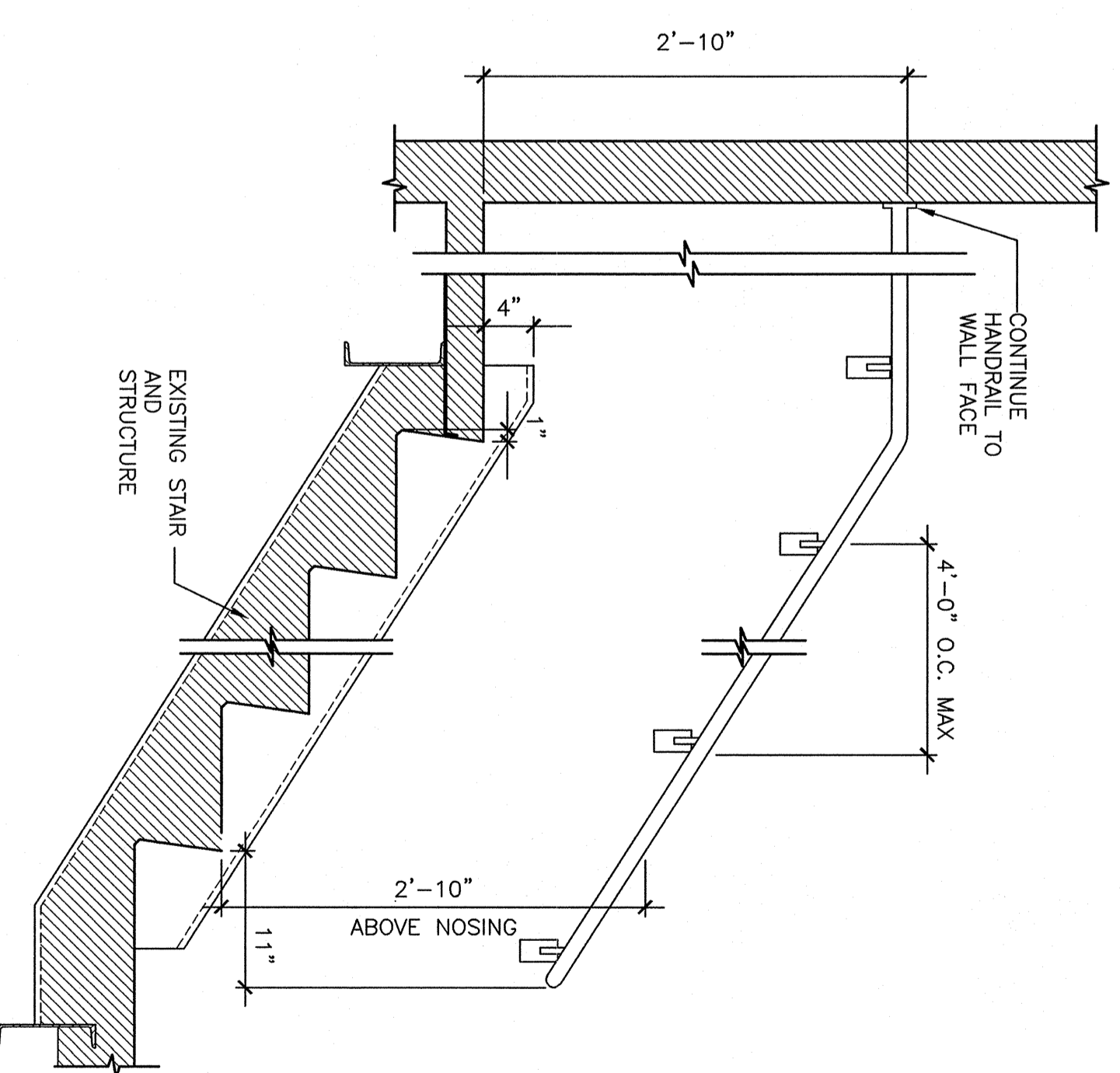
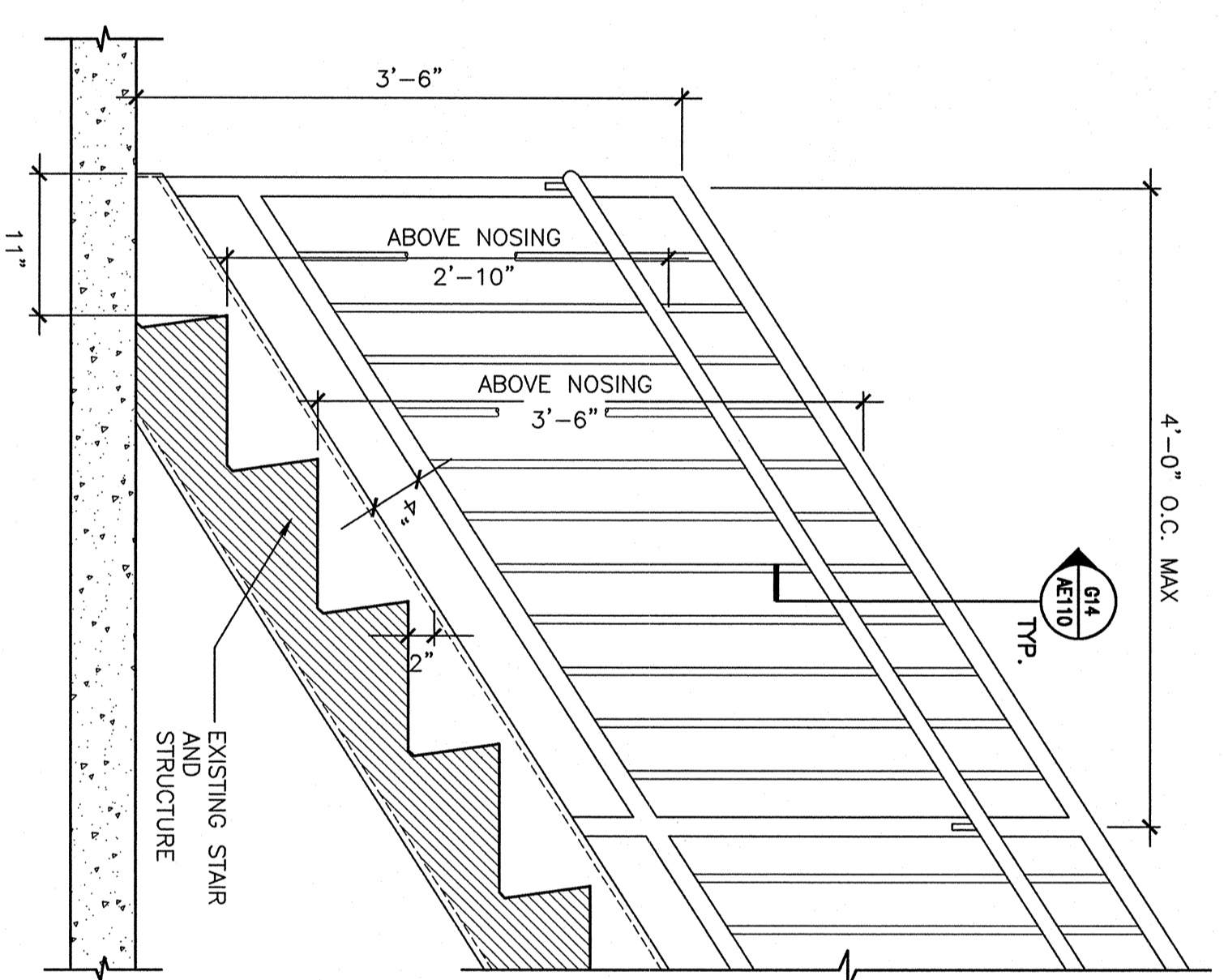
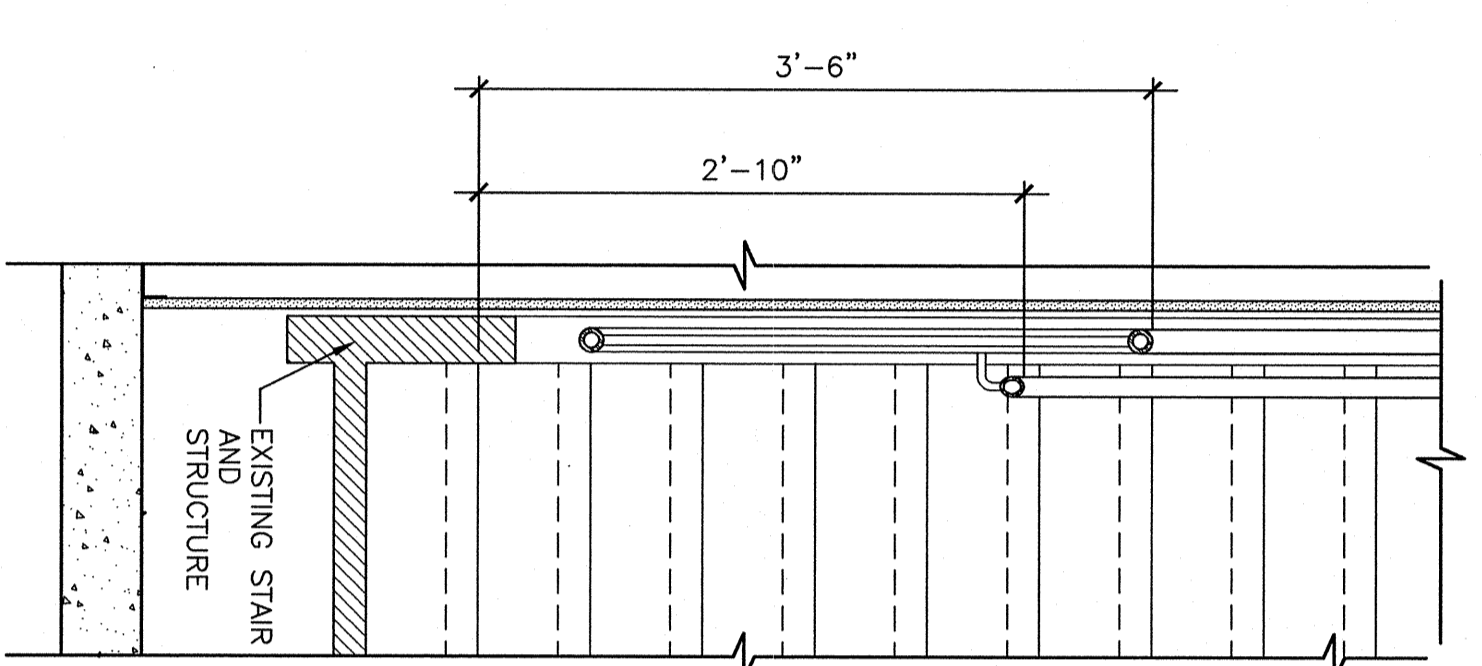
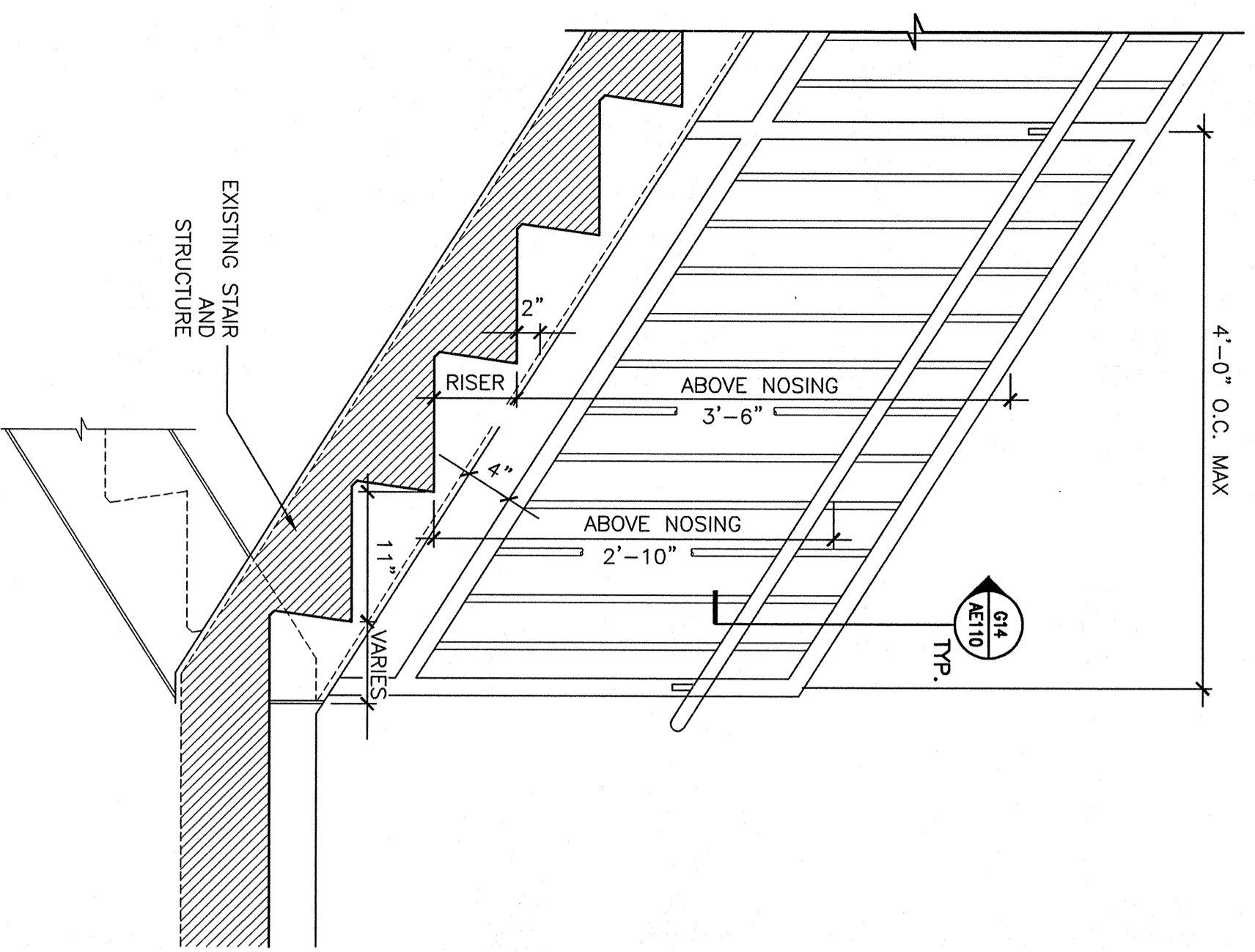
- 1.

**G1 EAST STAIR PLAN**  
1/4"=1'-0"  
TYP. FOR ENTIRE STAIRWELL

**G5 NORTH STAIR PLAN (GROUND FLOOR)**  
1/4"=1'-0"  
\*

**G9 NORTH STAIR PLANE (SECOND FLOOR)**  
1/4"=1'-0"  
\*

**G14 HAND RAIL DETAIL**  
1"=1'-0"  
TYP. FOR EACH STAIR



**KEY PLAN**

**ISSUED FOR PERMITTING**  
07-18-07

ARCHITECTURE ENGINEERING PLANNING  
SM RT  
144 Fore Street / P.O. Box 618  
Portland, Maine 04104  
Tel: (207) 772-2846  
Fax: (207) 772-1070

**PROJECT:** PARKING GARAGE STAIR DEMOLITION & PLAN

**EXTERIOR IMPROVEMENTS & MODEL TENANT FIT-UP**  
110 FREE STREET  
PORTLAND, MAINE

**PROJECT MANAGER:** JHH  
**GRAPHIC SCALE:** 1"=1'-0"  
**DATE:**  
**JOB CHG/DRAWN:** JHH  
**DATE OF RECORD:** JHH  
**SHEET NO.:** AE110  
**SHEET CAD FILE:** AE10-07087  
**PROJECT NO.:** 07087