

Project Title
110 FREE STREET BUILDING RENOVATIONS
 PORTLAND, MAINE

HA Project No. **09146**

Key Plan

LEGEND

AC AIR CONDITIONING UNIT	FD FIRE DAMPER	R/D RADIATION WITH DAMPER		COMBINATION BALANCING, FLOW MEASURING & TIGHT SHUT-OFF VALVE		THERMOMETER
ACC AIR COOLED CONDENSER	FL FINNED LENGTH OF RADIATION	RCHWP RESET CHILLED WATER PUMP		DUCT SECTION - SUPPLY		THERMOMETER WELL
ACCU AIR COOLED CONDENSING UNIT	FM FLOW METER	RCHWR RESET CHILLED WATER RETURN		DUCT SECTION - RETURN/EXHAUST		DUCT MOUNTED SMOKE DETECTOR (BY DIVISION 16)
ACV AUTOMATIC CONTROL VALVE	FOR FUEL OIL RETURN	RCHWS RESET CHILLED WATER SUPPLY		DUCT TURNING VANES		THERMOSTAT
AD ACCESS DOOR	FOS FUEL OIL SUPPLY	REF RETURN/EXHAUST FAN		FIRE DAMPER (1 1/2 HOUR RATED)		THERMOSTAT COOLING
AE AIR EXTRACTOR	FPT FREEZE PROTECTION THERMOSTAT	RET RETURN		FIRE DAMPER (3 HOUR RATED)		THERMOSTAT HEATING
AFF ABOVE FINISHED FLOOR	FR FLOOR REGISTER	RF RETURN AIR FAN		FLEXIBLE DUCT		THERMOSTAT - NIGHT
AFG ABOVE FINISHED GRADE	FS FLOW SWITCH	RH REHEAT COIL		FLOAT & THERMOSTATIC TRAP		THERMOSTAT - HEATING/COOLING
AHU AIR HANDLING UNIT	F&T FLOAT & THERMOSTATIC TRAP	RHWP RESET HOT WATER PUMP		ISOLATION VALVE		THERMOSTATIC TRAP
ALD ACOUSTICALLY LINED DUCT	GCR GRID CORE REGISTER	RHWR RESET HOT WATER RETURN		GLOBE VALVE		TIMER SWITCH
ATC AUTOMATIC TEMPERATURE CONTROL	GPM GALLONS PER MINUTE	RHWS RESET HOT WATER SUPPLY		HUMIDISTAT		UNION
BBU BOILER BURNER UNIT	HC HEATING COIL	RRM REVOLUTIONS PER MINUTE		HUMIDITY SENSOR		VARIABLE SPEED SWITCH W/OFF "POSITION"
BD BAROMETRIC DAMPER	HE HEAT EXCHANGER	RR RETURN REGISTER		LOCKSHIELD GATE VALVE		VOLUME DAMPER
BDD BACKDRAFT DAMPER	HEDV HOSE END DRAIN VALVE	S SWITCH		LOUVER	S (SUPPLY) R (RETURN) E (EXHAUST) T (TRANSFER) SUPPLY DIFFUSER (TYPE 2) DIFFUSER DESCRIPTION (SEE REG., GRILLES & DIFF SCHEDULE) QUANTITY 400 CFM EA	
CBD COUNTERBALANCED BACKDRAFT DAMPER	HEF HIGH EFFICIENCY FILTER BANK	SA SOUND ATTENUATOR		MANUAL AIR VENT		
CC COOLING COIL	HPCR HIGH PRESSURE CONDENSATE RETURN (OVER 30 PSIG)	SCV SELF - CONTAINED CONTROL VALVE		MOTORIZED DAMPER		
CD CEILING DIFFUSER	HPS HIGH PRESSURE STEAM (OVER 30 PSIG)	SD SMOKE DAMPER		OCCUPIED/UNOCCUPIED SWITCH		
CDR CONDENSATE DRAIN (AHU, FC, ETC.)	HRC HEAT RECOVERY COIL	SDR SINGLE DEFLECTION REGISTER		OS&Y GATE VALVE		
CORP CONDENSATE DRAIN PUMP (AHU, FC, ETC.)	HRP HEAT RECOVERY PUMP	SF SUPPLY FAN		PETCOCK FOR GAUGE CONNECTION		
CG CEILING GRILLE	HRR HEAT RECOVERY RETURN	SG SUPPLY GRILLE		PIPE ANCHOR		
CFM CUBIC FEET PER MINUTE	HRS HEAT RECOVERY SUPPLY	SP STATIC PRESSURE		PIPE GUIDE		
CH CHILLER UNIT	HUM HUMIDIFIER	SS STAINLESS STEEL		PITCH DOWN		
CHWP CHILLED WATER PUMP	HWP HEATING WATER PUMP	SUP SUPPLY		PLUG VALVE		
CHWR CHILLED WATER RETURN	HWR HEATING WATER RETURN	SV SOLENOID VALVE		PRESSURE GAUGE		
CHWS CHILLED WATER SUPPLY	HWS HEATING WATER SUPPLY	TC TIME CLOCK		PRESSURE GAUGE W/ VALVE		
CO CLEANOUT	HV HEATING & VENTILATING UNIT	TID THERMALLY INSULATED DUCT		PRESSURE REDUCING VALVE		
C CONVECTOR	LD LINEAR DIFFUSER	TD TRANSFER DUCT		PRESSURE RELIEF VALVE		
CPD CONDENSATE PUMP DISCHARGE	LG LINEAR GRILLE	TF TRANSFER FAN		PRESSURE RELIEF DAMPER		
CR CONDENSATE RETURN	LPCR LOW PRESSURE CONDENSATE RETURN (0-15 PSIG)	TG TRANSFER GRILLE		RADIATION L.D. (TYPE A, 10"-0" FINNED LENGTH, 10,000 BTU/HR) WITH DAMPER		
CT COOLING TOWER	LPS LOW PRESSURE STEAM (0-15 PSIG)	TR TEMPERATURE RISE		RADIATION L.D. (TYPE A, 10"-0" FINNED LENGTH, 10,000 BTU/HR) WITHOUT DAMPER		
CUH CABINET UNIT HEATER	LSGV LOCK SHIELD GATE VALVE	TT THERMOSTATIC TRAP		REDUCER - CONCENTRIC		
CW COLD WATER	MAN/LS MANUAL CONTROL FROM LIGHT SWITCH	UH UNIT HEATER		REDUCER - ECCENTRIC		
CWP CONDENSER WATER PUMP	MAN/SS MANUAL CONTROL WITH VARIABLE SPEED SWITCH	VAV VARIABLE AIR VOLUME BOX		RETURN AIR		
CWR CONDENSER WATER RETURN	MBH 1000 BRITISH THERMAL UNITS PER HOUR	VB VACUUM BREAKER		RETURN AIR DUCT		
CWS CONDENSER WATER SUPPLY	MCC MOTOR CONTROL CENTER	VD VOLUME DAMPER		RETURN PIPING (HEATING WATER, CHILLED WATER, HEAT RECOVERY, CONDENSATE RETURN)		
D CONDENSATE DRAIN	MD MOTORIZED DAMPER	VF VENTILATION FAN		SECTION L.D. (SECTION A SHOWN ON DWG. M1101)		
D&D DROP AND DRIP	MPCR MEDIUM PRESSURE CONDENSATE RETURN (16 - 30 PSIG)	WC WATER COLUMN		SMOKE DAMPER		
DDR DOUBLE DEFLECTION REGISTER	MPS MEDIUM PRESSURE STEAM (16 - 30 PSIG)	WG WALL GRILLE		STRAINER		
DEF DEFLECTION	MS MAGNETIC STARTER	WR WALL REGISTER		SUPPLY AIR		
DHW DOMESTIC HOT WATER	OA OUTSIDE AIR	ACoustically Lined Duct		SUPPLY AIR DUCT		
EF EXHAUST FAN	OED OPEN ENDED DUCT	ACV 2 - WAY		SWITCH WITH PILOT LIGHT		
EG EXHAUST GRILLE	OS&Y OUTSIDE SCREW & YOKE GATE VALVE	ACV 3 - WAY		TAKE - OFF FROM BOTTOM OF PIPE		
ER EXHAUST REGISTER	PD PRESSURE DROP	BALANCE VALVE		TAKE - OFF FROM TOP OF PIPE		
EXH EXHAUST	PH PREHEAT COIL	BDD BACKDRAFT DAMPER		TEMPERATURE SENSOR		
FC FLEXIBLE CONNECTOR	PRD PRESSURE RELIEF DAMPER	CAP - PIPE				
FCU FAN COIL UNIT	PRV PRESSURE REDUCING VALVE	CHECK VALVE				

PIPE SIZE (INCHES)	FLOW RANGE (GPM)
3/4	1-3
1	3-7
1-1/4	7-12
1-1/2	12-20
2	20-40
2-1/2	40-70
3	70-130
4	130-250
5	250-400
6	400-800
8	800-1800
10	1800-3000
12	3000-4600

GENERAL NOTES

- MECHANICAL CONTRACTOR SHALL COORDINATE THEIR WORK WITH THE WORK OF OTHER TRADES.
- DUCTWORK AND MECHANICAL EQUIPMENT SHOWN DIAGRAMMATICALLY, DETERMINE EXACT LOCATIONS IN FIELD.
- THE MECHANICAL CONTRACTOR SHALL NOT FABRICATE ANY DUCTWORK UNTIL HE HAS COORDINATED WITH OTHER TRADES TO INSURE THAT THE DUCTWORK CAN BE INSTALLED WITH THE SIZES INDICATED ON THE DRAWINGS AND IN THE LOCATIONS SHOWN ON THE DRAWINGS.
- REFER TO REFLECTED CEILING PLAN OR ARCHITECTURAL DRAWINGS FOR EXACT LOCATION OF CEILING DIFFUSERS AND REGISTERS.
- SEE ARCHITECTURAL DRAWINGS FOR EXACT LOCATION OF LOUVERS AND ROOF OPENINGS. COORDINATE DIMENSIONS WITH GENERAL CONTRACTOR.
- ALL LOUVER DIMENSIONS SHALL BE CLOSELY COORDINATED WITH THE WORK OF OTHER TRADES.
- PROVIDE VOLUME DAMPERS SO THAT EVERY REGISTER, GRILLE, AND DIFFUSER (SUPPLY, RETURN, AND EXHAUST) CAN BE INDIVIDUALLY DAMPED. VOLUME DAMPERS SHALL BE LOCATED AS FAR AWAY FROM REGISTERS, GRILLES, AND DIFFUSERS AS POSSIBLE TO MINIMIZE NOISE. VOLUME DAMPERS SHALL BE LOCATED ABOVE SUSPENDED CEILING WHEREVER POSSIBLE AND SHALL BE UNRESTRICTED AND EASILY ACCESSIBLE FOR THE BALANCING CONTRACTOR.
- PROVIDE SINGLE THICKNESS TURNING VANES AT 90 DEGREE MITERED ELBOWS IN SUPPLY AND RETURN DUCTWORK.
- FLEXIBLE DUCT WORK IS NOT ALLOWED IN NEGATIVE PRESSURE SYSTEMS. DO NOT USE FLEXIBLE DUCTWORK IN RETURN AND EXHAUST SYSTEMS WHERE FLEXIBLE DUCT IS USED. LENGTHS SHALL NOT EXCEED 5'-0".
- DUCTWORK VISIBLE THROUGH CEILING OPENINGS, DUCT OPENINGS, REGISTERS, GRILLES, AND DIFFUSERS SHALL BE PAINTED BLACK.
- FRESH AIR AND EXHAUST AIR ALENARS SHALL HAVE FLOOR FINCHES TO DRAW THROUGH LOUVER.

Mark	Date	Description
	02/12/10	ISSUED FOR CONSTRUCTION

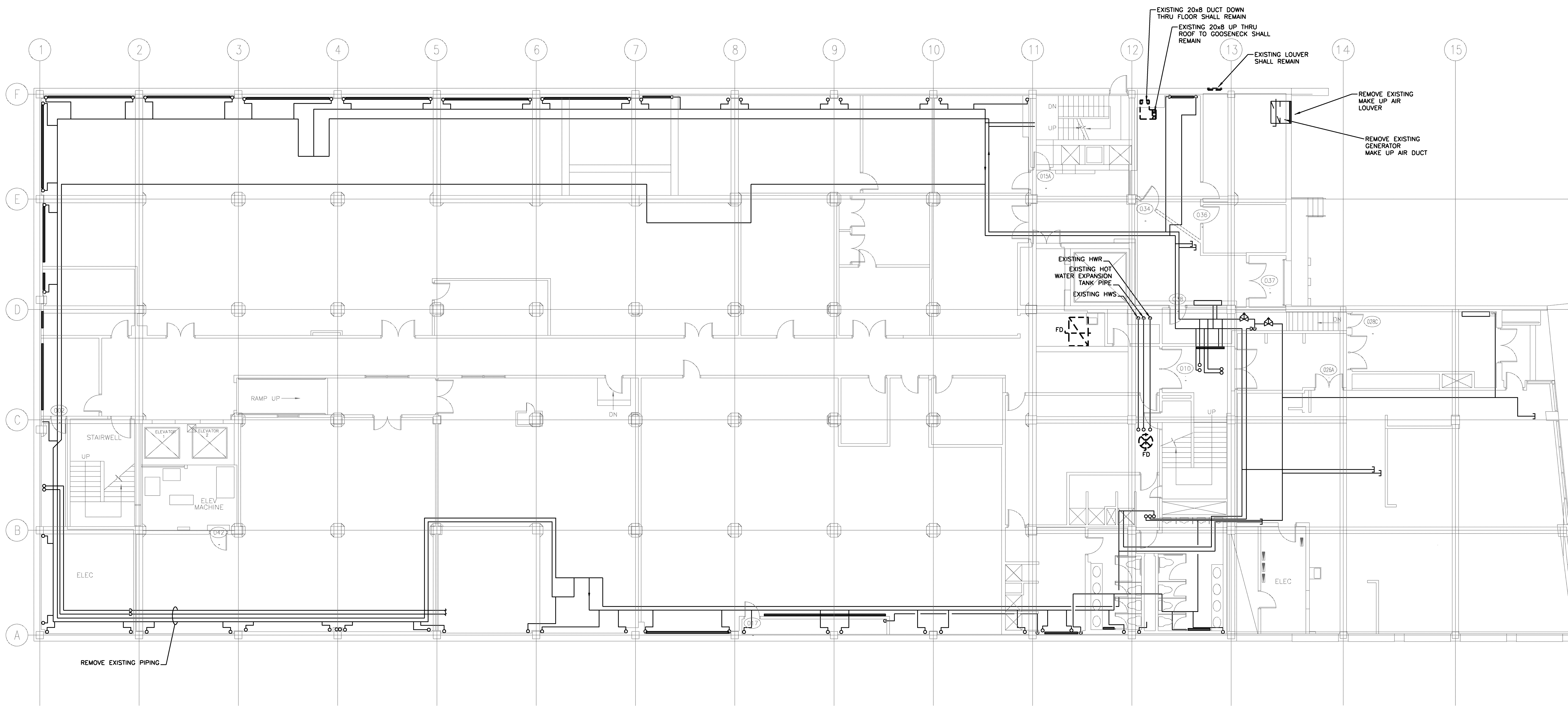
Drawing Status
ISSUED FOR CONSTRUCTION

Drawing Title
LEGEND AND GENERAL NOTES
 PA / PE: SPF Drawn By: JSC
 Drawing Number
M00.0

Project Title
110 FREE STREET BUILDING RENOVATIONS
PORTLAND, MAINE

HA Project No. **09145**

Key Plan



NOTE
EXISTING ITEMS TO REMAIN
ARE SHOWN WITH DASHED LINES.
EXISTING ITEMS TO BE REMOVED
ARE SHOWN WITH SOLID LINES.

Mark	Date	Description
	02/12/10	ISSUED FOR CONSTRUCTION
	12/11/09	DESIGN DEVELOPMENT
Issue Dates		

Drawing Status
ISSUED FOR CONSTRUCTION

Drawing Title
GROUND FLOOR PLAN DEMOLITION HVAC

PA / PE: **SPF** Drawn By: **JSC**

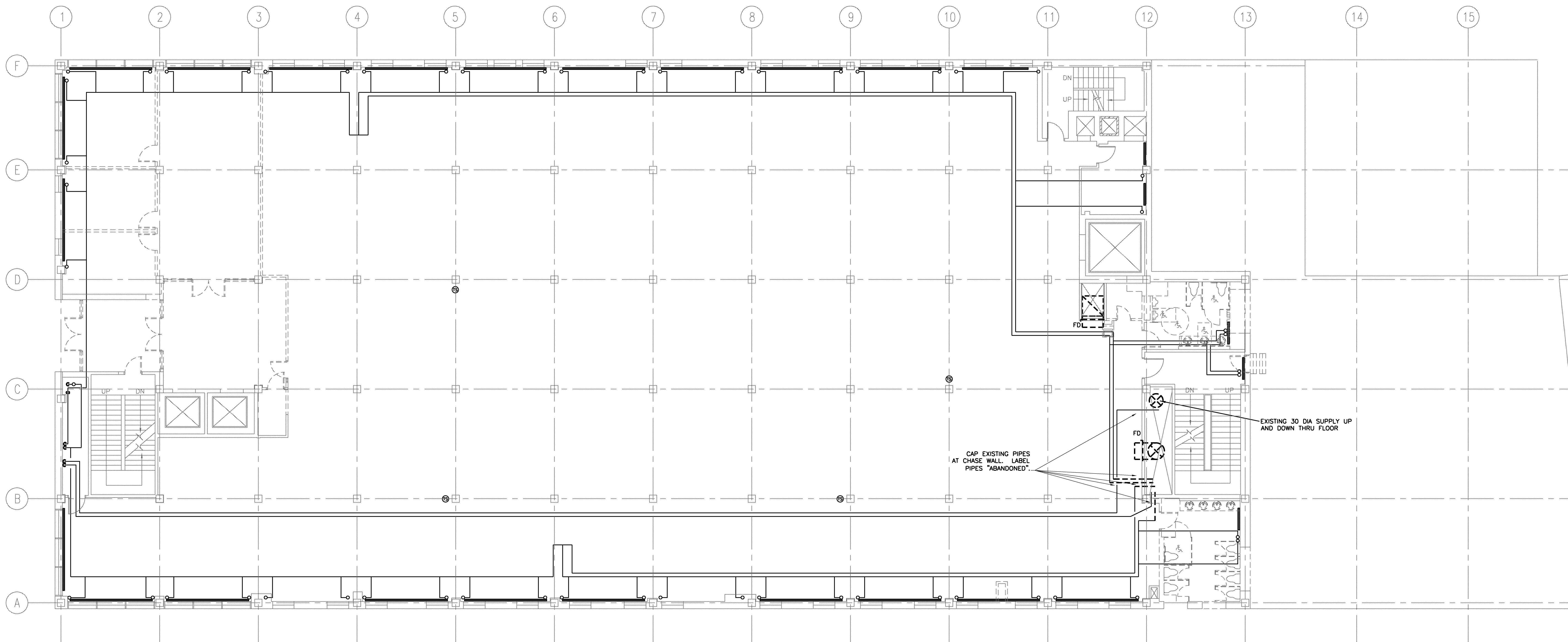
Drawing Number

M05.0

Project Title
110 FREE STREET BUILDING RENOVATIONS
PORTLAND, MAINE

HA Project No. **09145**

Key Plan



NOTE
EXISTING ITEMS TO REMAIN
ARE SHOWN WITH DASHED LINES.
EXISTING ITEMS TO BE REMOVED
ARE SHOWN WITH SOLID LINES.

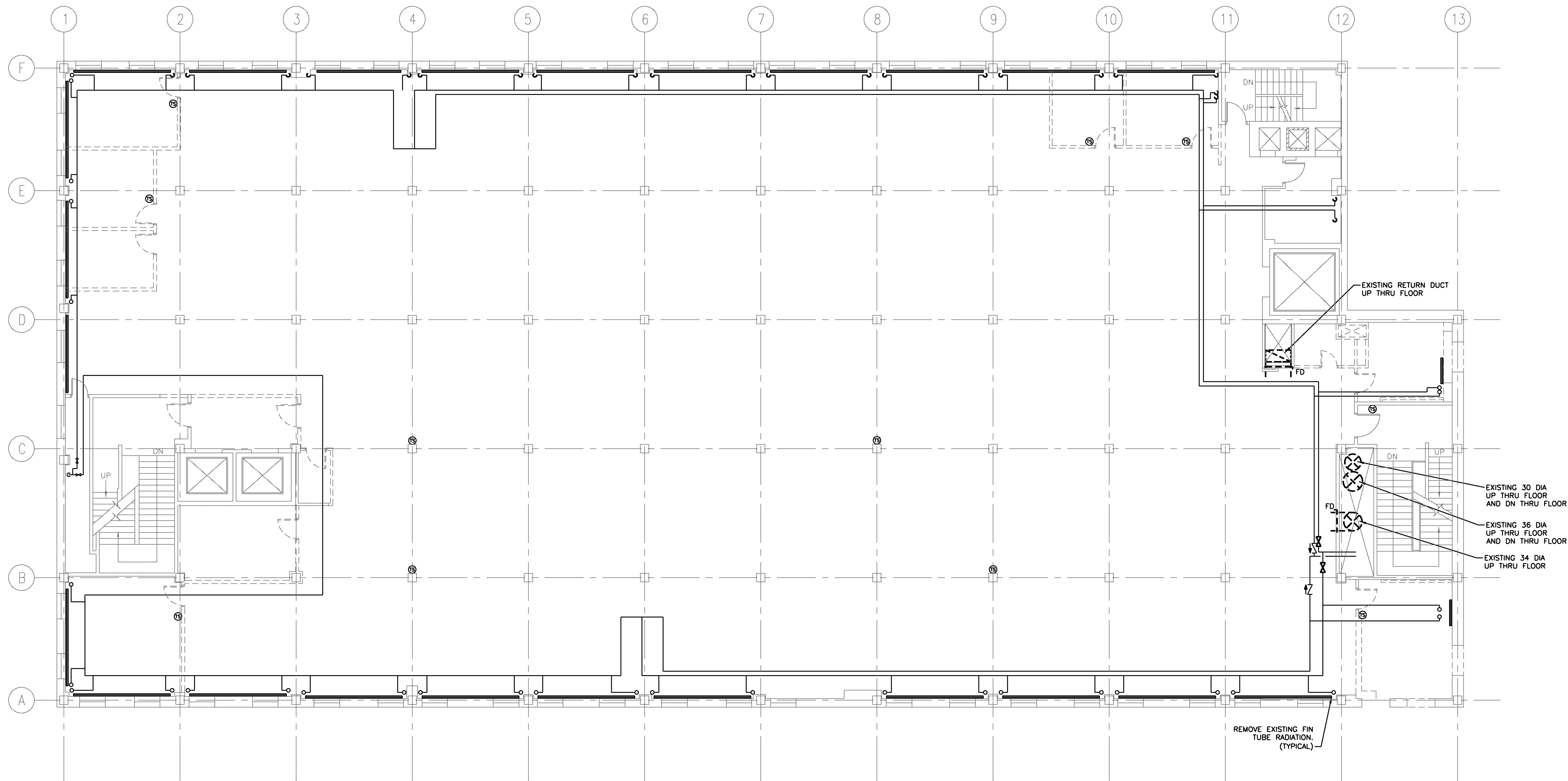
Mark	Date	Description
	02/12/10	ISSUED FOR CONSTRUCTION
	12/11/09	DESIGN DEVELOPMENT
Issue Dates		

Drawing Status
ISSUED FOR CONSTRUCTION

Drawing Title
FIRST FLOOR PLAN
DEMOLITION
HVAC

PA / PE: SPF Drawn By: JSC

Drawing Number



NOTE

EXISTING ITEMS TO REMAIN ARE SHOWN WITH DASHED LINES.

EXISTING ITEMS TO BE REMOVED ARE SHOWN WITH SOLID LINES.

Mark	Date	Description
	02/12/10	ISSUED FOR CONSTRUCTION
	12/11/09	DESIGN DEVELOPMENT
Issue Dates		

Drawing Status

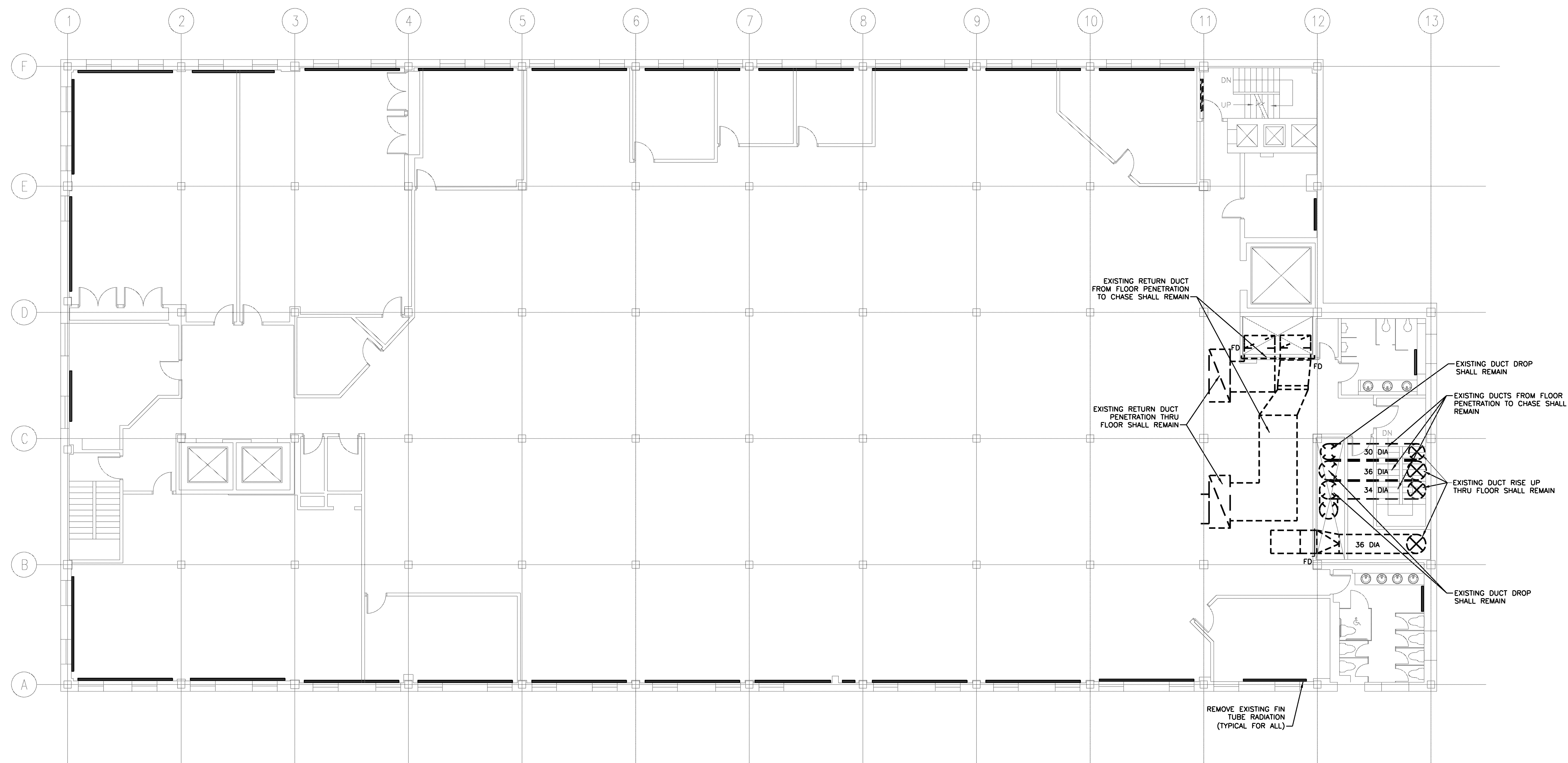
ISSUED FOR CONSTRUCTION

Drawing Title

SECOND FLOOR PLAN DEMOLITION HVAC

PA / PE: **SPF** Drawn By: **JSC**

Drawing Number



NOTE
EXISTING ITEMS TO REMAIN
ARE SHOWN WITH DASHED LINES.
EXISTING ITEMS TO BE REMOVED
ARE SHOWN WITH SOLID LINES.

Mark	Date	Description
	02/12/10	ISSUED FOR CONSTRUCTION
	12/11/09	DESIGN DEVELOPMENT
Issue Dates		

Drawing Status
ISSUED FOR CONSTRUCTION

Drawing Title
THIRD FLOOR PLAN DEMOLITION HVAC

PA / PE: **SPF** Drawn By: **JSC**

Drawing Number

M05.3

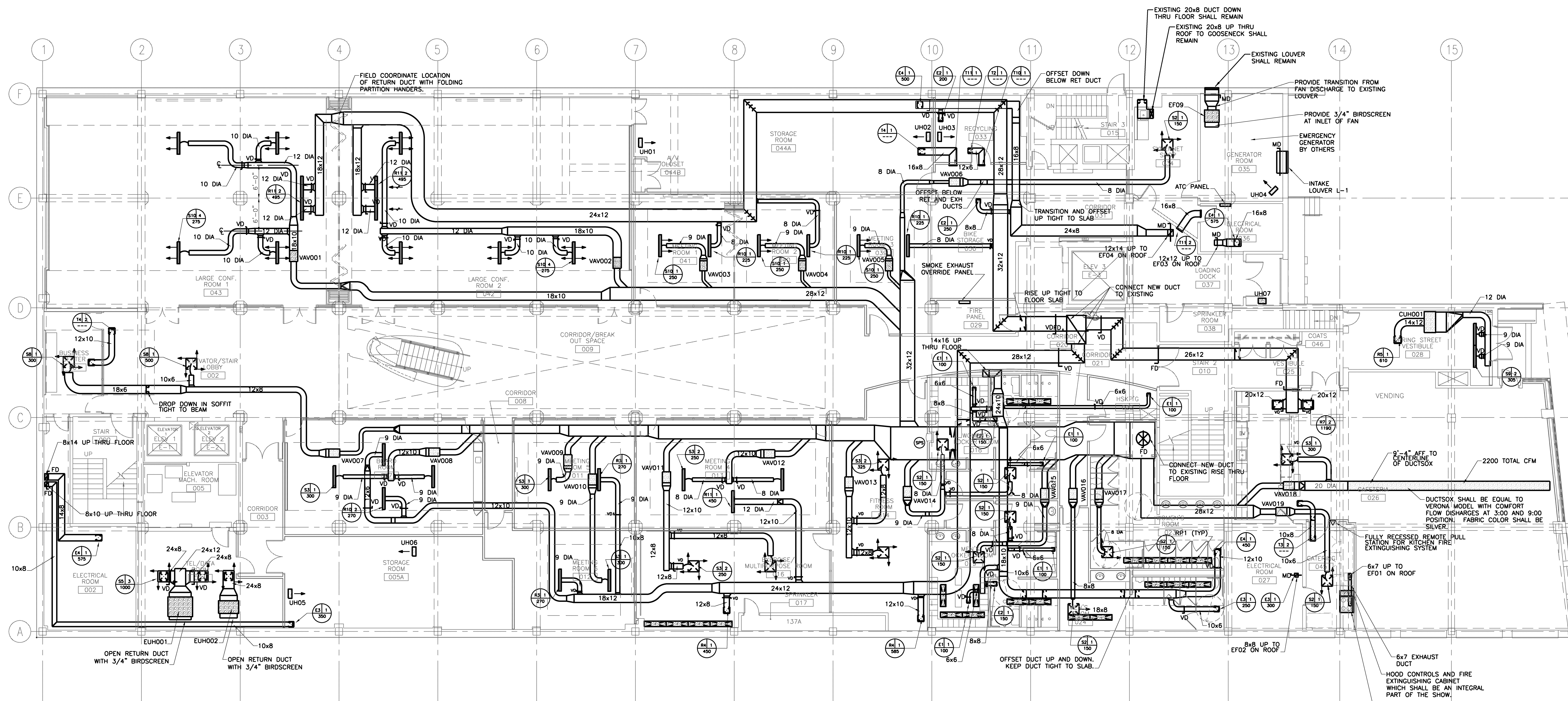
Project Title

110 FREE STREET BUILDING RENOVATIONS

PORTLAND, MAINE

HA Project No. **09146**

Key Plan



02/12/10	ISSUED FOR CONSTRUCTION	
12/11/09	DESIGN DEVELOPMENT	
10/23/09	SCHEMATIC DESIGN	
Mark	Date	Description
Issue Dates		

Drawing Status

ISSUED FOR CONSTRUCTION

Drawing Title

GROUND FLOOR PLAN DUCTWORK

PA / PE: **SPF** Drawn By: **JSC**

Drawing Number

GROUND FLOOR PLAN DUCTWORK

1/8" = 1'-0" REF: **M1**

M10.0

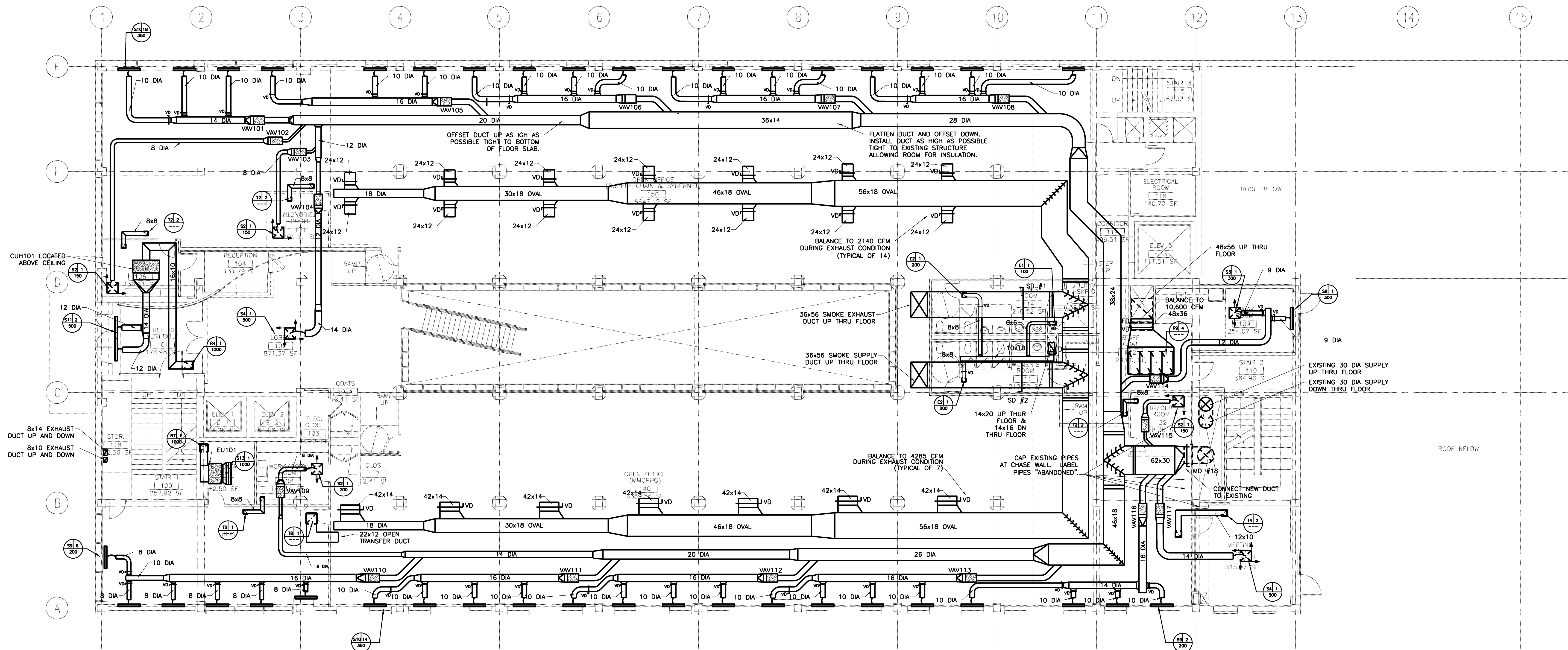
Project Title

110 FREE STREET BUILDING RENOVATIONS

PORTLAND, MAINE

HA Project No. **09145**

Key Plan



Issue Dates	Description	
02/12/10	ISSUED FOR CONSTRUCTION	
12/11/09	DESIGN DEVELOPMENT	
10/23/09	SCHEMATIC DESIGN	
Mark	Date	Description

Drawing Status

ISSUED FOR CONSTRUCTION

Drawing Title

FIRST FLOOR PLAN DUCTWORK

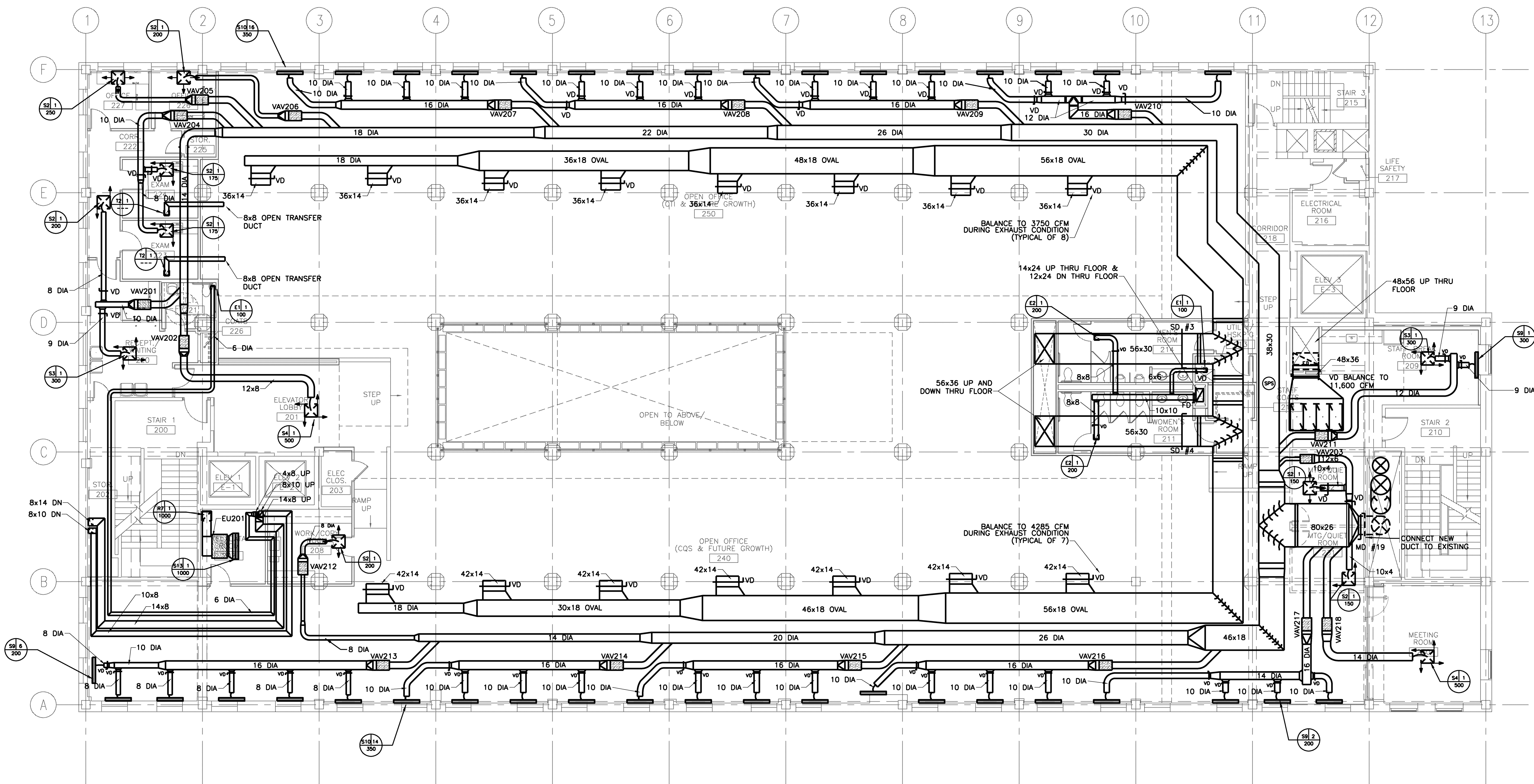
PA / PE: SPF Drawn By: JSC

Drawing Number

Project Title
110 FREE STREET BUILDING RENOVATIONS
PORTLAND, MAINE

HA Project No. **09145**

Key Plan



Mark	Date	Description
	02/12/10	ISSUED FOR CONSTRUCTION
	12/11/09	DESIGN DEVELOPMENT
	10/23/09	SCHEMATIC DESIGN

Drawing Status
ISSUED FOR CONSTRUCTION

Drawing Title
SECOND FLOOR PLAN DUCTWORK

PA / PE: **SPF** Drawn By: **JSC**

Drawing Number

Project Title

110 FREE STREET BUILDING RENOVATIONS

PORTLAND, MAINE

HA Project No. **09146**

Key Plan



Mark	Date	Description
	02/12/10	ISSUED FOR CONSTRUCTION
	12/11/09	DESIGN DEVELOPMENT
	10/23/09	SCHEMATIC DESIGN

Drawing Status

ISSUED FOR CONSTRUCTION

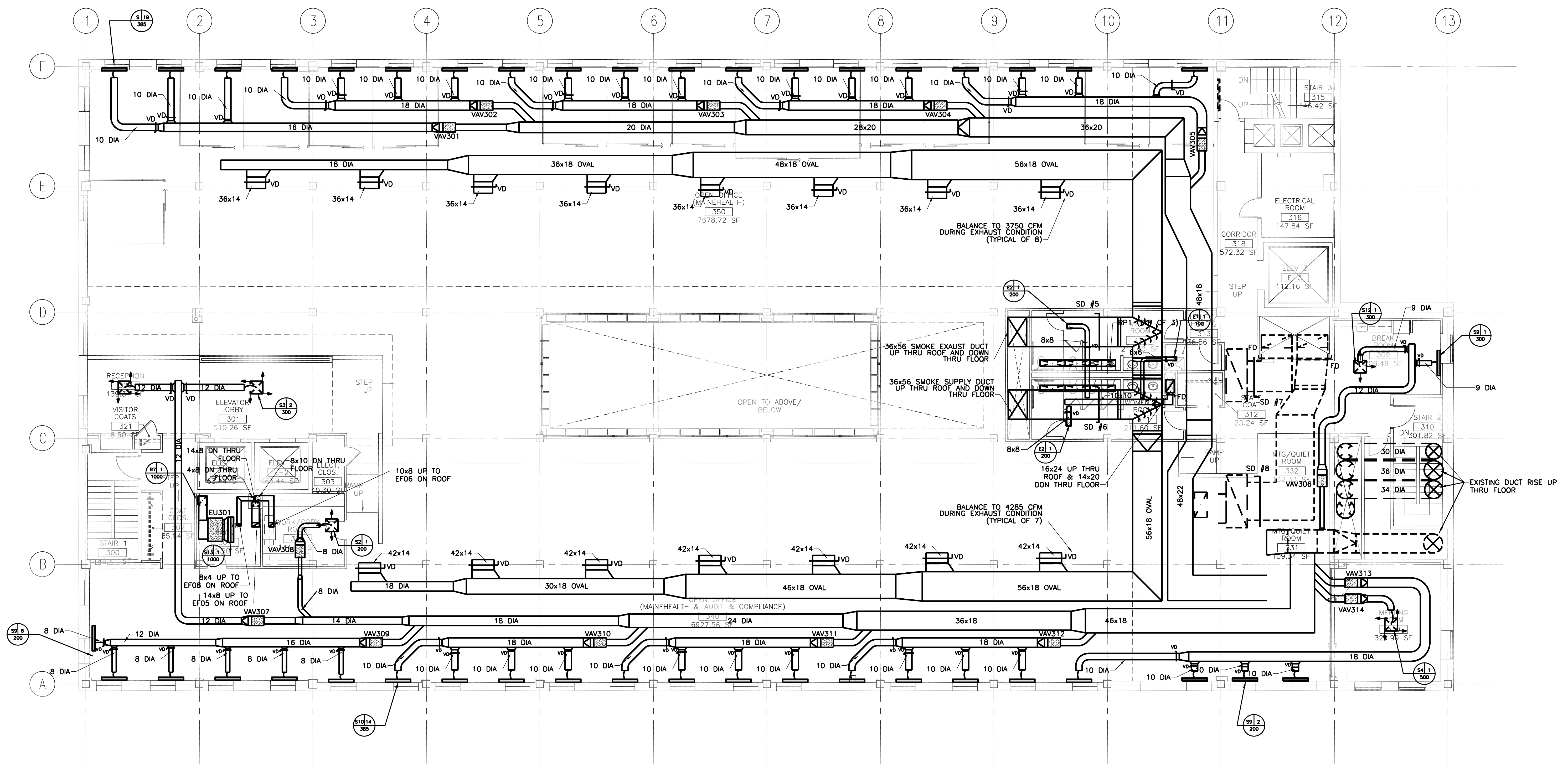
Drawing Title

THIRD FLOOR PLAN DUCTWORK

PA / PE: SPF Drawn By: JSC

Drawing Number

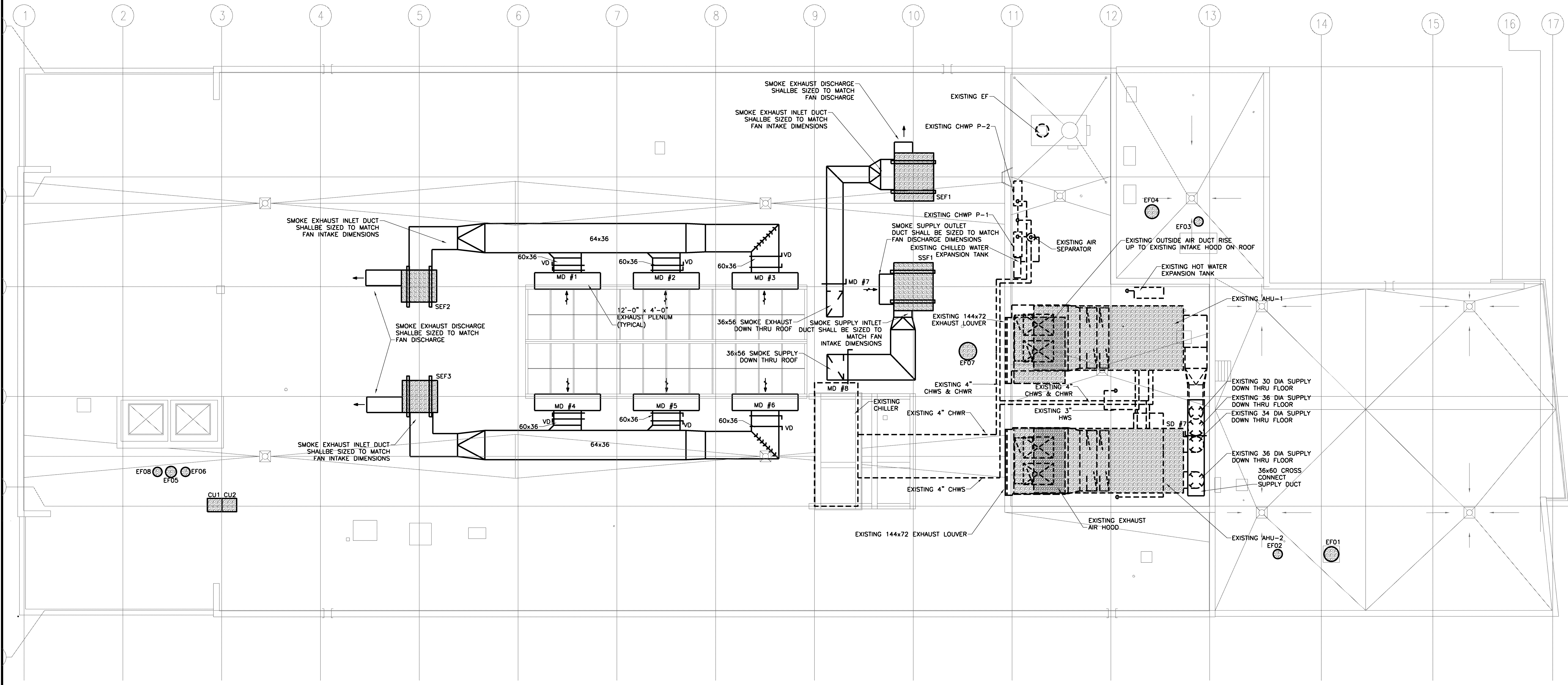
M10.3



Project Title
110 FREE STREET BUILDING RENOVATIONS
PORTLAND, MAINE

HA Project No. **09145**

Key Plan



02/12/10	ISSUED FOR CONSTRUCTION	
12/11/09	DESIGN DEVELOPMENT	
10/23/09	SCHEMATIC DESIGN	
Mark	Date	Description
Issue Dates		

Drawing Status
ISSUED FOR CONSTRUCTION

Drawing Title
PENTHOUSE AND ROOF PLAN DUCTWORK
PA / PE: SPF Drawn By: JSC
Drawing Number

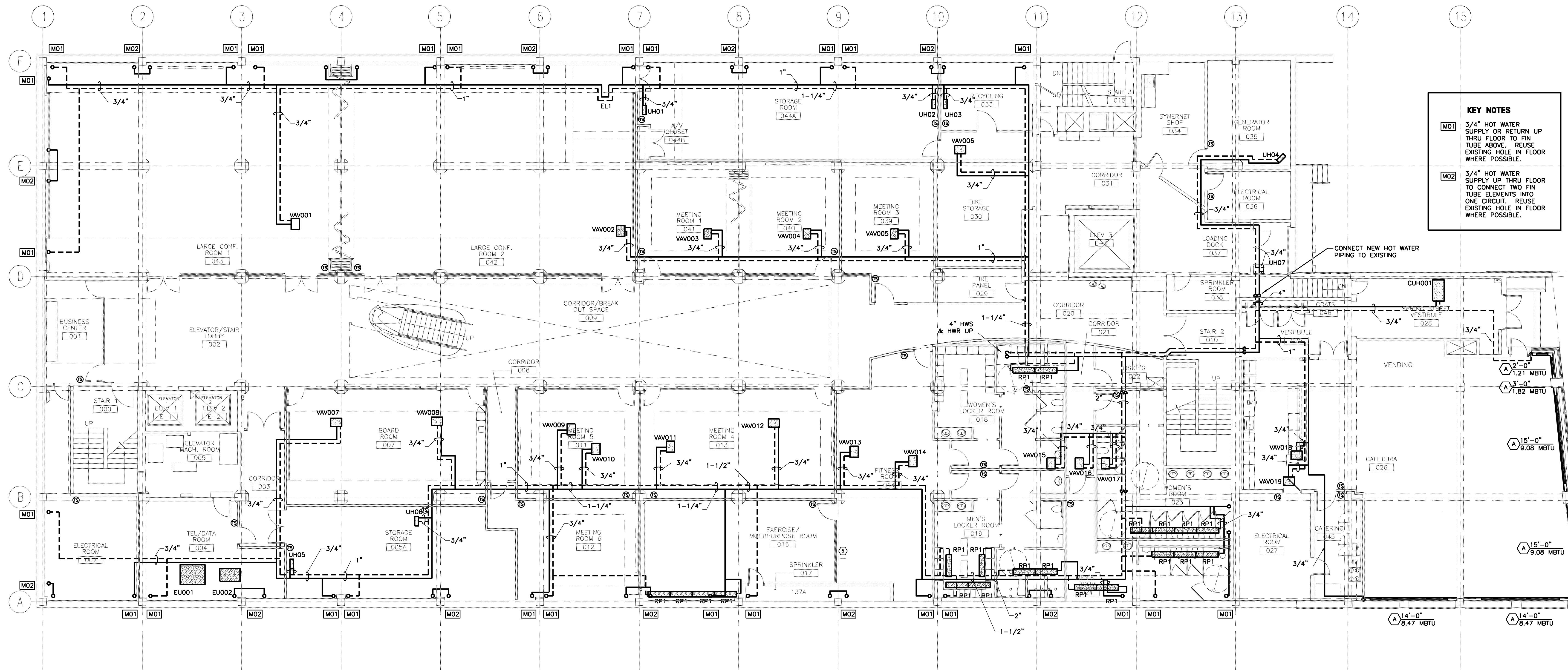
Project Title

110 FREE STREET BUILDING RENOVATIONS

PORTLAND, MAINE

PA Project No. **09145**

Key Plan



KEY NOTES

M01 3/4" HOT WATER SUPPLY OR RETURN UP THRU FLOOR TO FIN TUBE ABOVE. REUSE EXISTING HOLE IN FLOOR WHERE POSSIBLE.

M02 3/4" HOT WATER SUPPLY UP THRU FLOOR TO CONNECT TWO FIN TUBE ELEMENTS INTO ONE CIRCUIT. REUSE EXISTING HOLE IN FLOOR WHERE POSSIBLE.

02/12/10	ISSUED FOR CONSTRUCTION
12/11/09	DESIGN DEVELOPMENT
Mark	Date
	Description
Issue Dates	

Drawing Status

ISSUED FOR CONSTRUCTION

Drawing Title

GROUND FLOOR PLAN PIPING

PA / PE: SPF Drawn By: JSC

Drawing Number

GROUND FLOOR PLAN PIPING

1/8" = 1'-0" REF: **M1**

M20.0

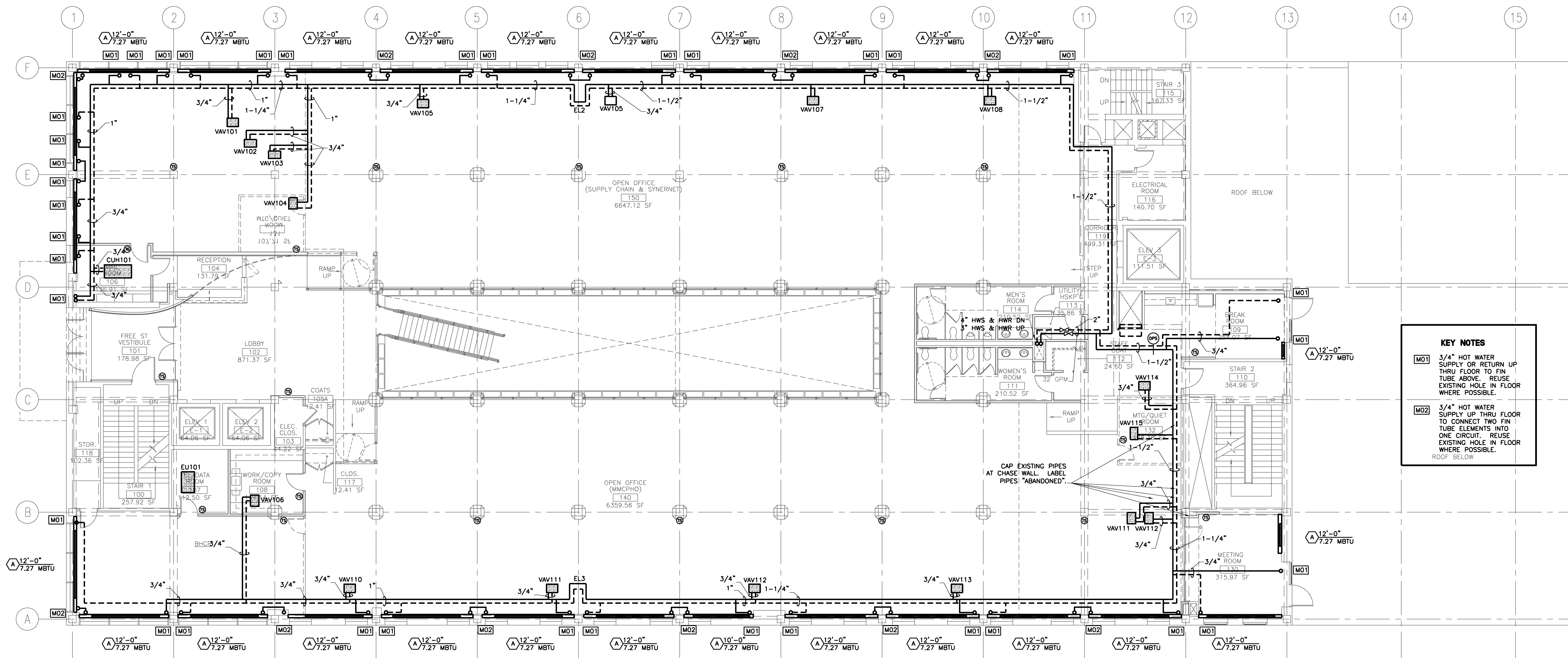
Project Title

110 FREE STREET BUILDING RENOVATIONS

PORTLAND, MAINE

HA Project No. **09146**

Key Plan



KEY NOTES

M01 3/4" HOT WATER SUPPLY OR RETURN UP THRU FLOOR TO FIN TUBE ABOVE. REUSE EXISTING HOLE IN FLOOR WHERE POSSIBLE.

M02 3/4" HOT WATER SUPPLY UP THRU FLOOR TO CONNECT TWO FIN TUBE ELEMENTS INTO ONE CIRCUIT. REUSE EXISTING HOLE IN FLOOR WHERE POSSIBLE. ROOF BELOW.

Mark	Date	Description
	02/12/10	ISSUED FOR CONSTRUCTION
	12/11/09	DESIGN DEVELOPMENT

Drawing Status

ISSUED FOR CONSTRUCTION

Drawing Title

FIRST FLOOR PLAN PIPING

PA / PE: SPF Drawn By: JSC

Drawing Number

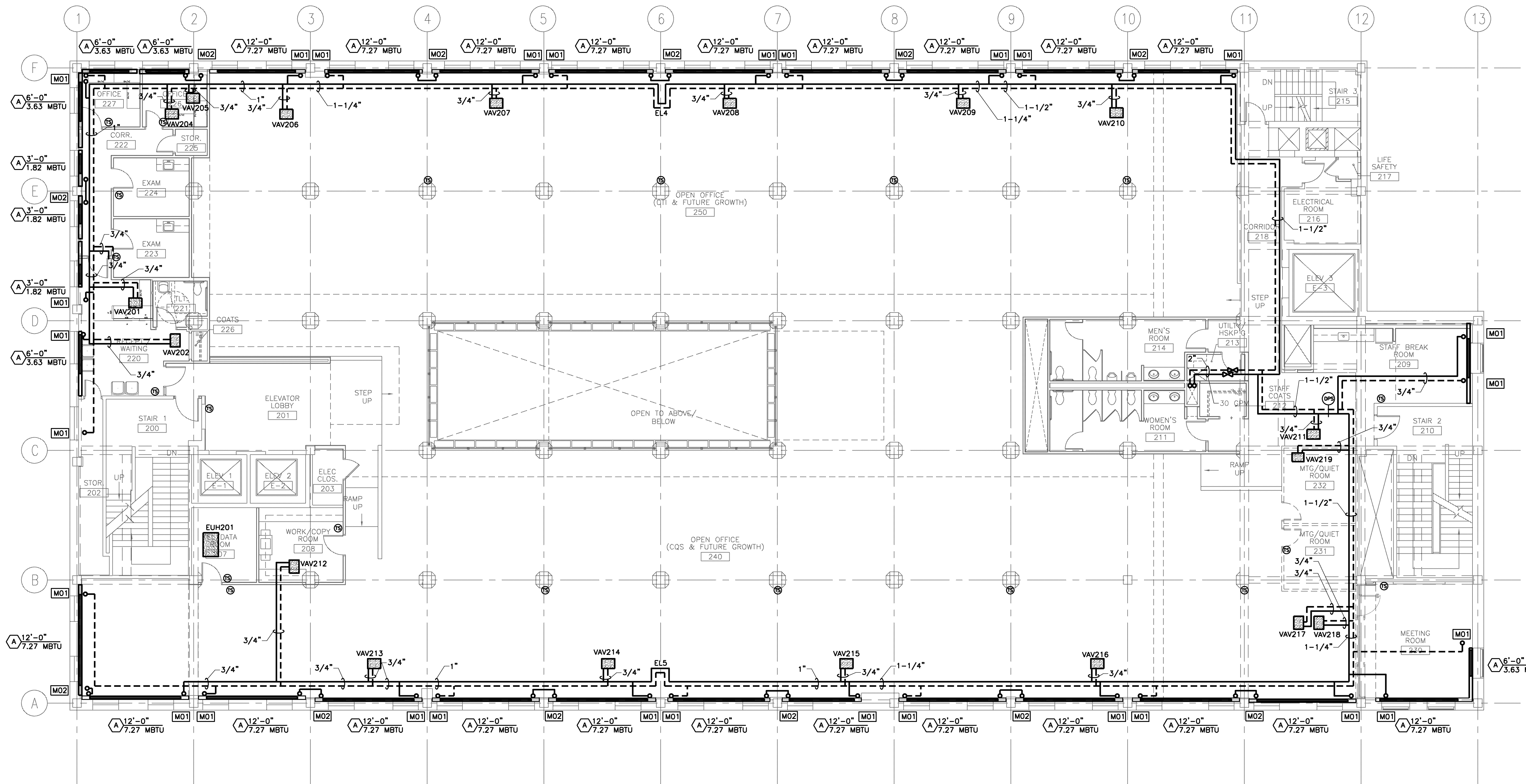
Project Title

110 FREE STREET BUILDING RENOVATIONS

PORTLAND, MAINE

HA Project No. **09146**

Key Plan



KEY NOTES

M01 3/4" HOT WATER SUPPLY OR RETURN UP THRU FLOOR TO FIN TUBE ABOVE. REUSE EXISTING HOLE IN FLOOR WHERE POSSIBLE.

M02 3/4" HOT WATER SUPPLY UP THRU FLOOR TO CONNECT TWO FIN TUBE ELEMENTS INTO ONE CIRCUIT. REUSE EXISTING HOLE IN FLOOR WHERE POSSIBLE.

Mark	Date	Description
02/12/10		ISSUED FOR CONSTRUCTION
12/11/09		DESIGN DEVELOPMENT
Issue Dates		

Drawing Status

ISSUED FOR CONSTRUCTION

Drawing Title

SECOND FLOOR PLAN PIPING

PA / PE: SPF Drawn By: JSC

Drawing Number

Project Title

110 FREE STREET BUILDING RENOVATIONS

PORTLAND, MAINE

HA Project No. **09146**

Key Plan



Mark	Date	Description
	02/12/10	ISSUED FOR CONSTRUCTION
	12/11/09	DESIGN DEVELOPMENT
Issue Dates		

Drawing Status

ISSUED FOR CONSTRUCTION

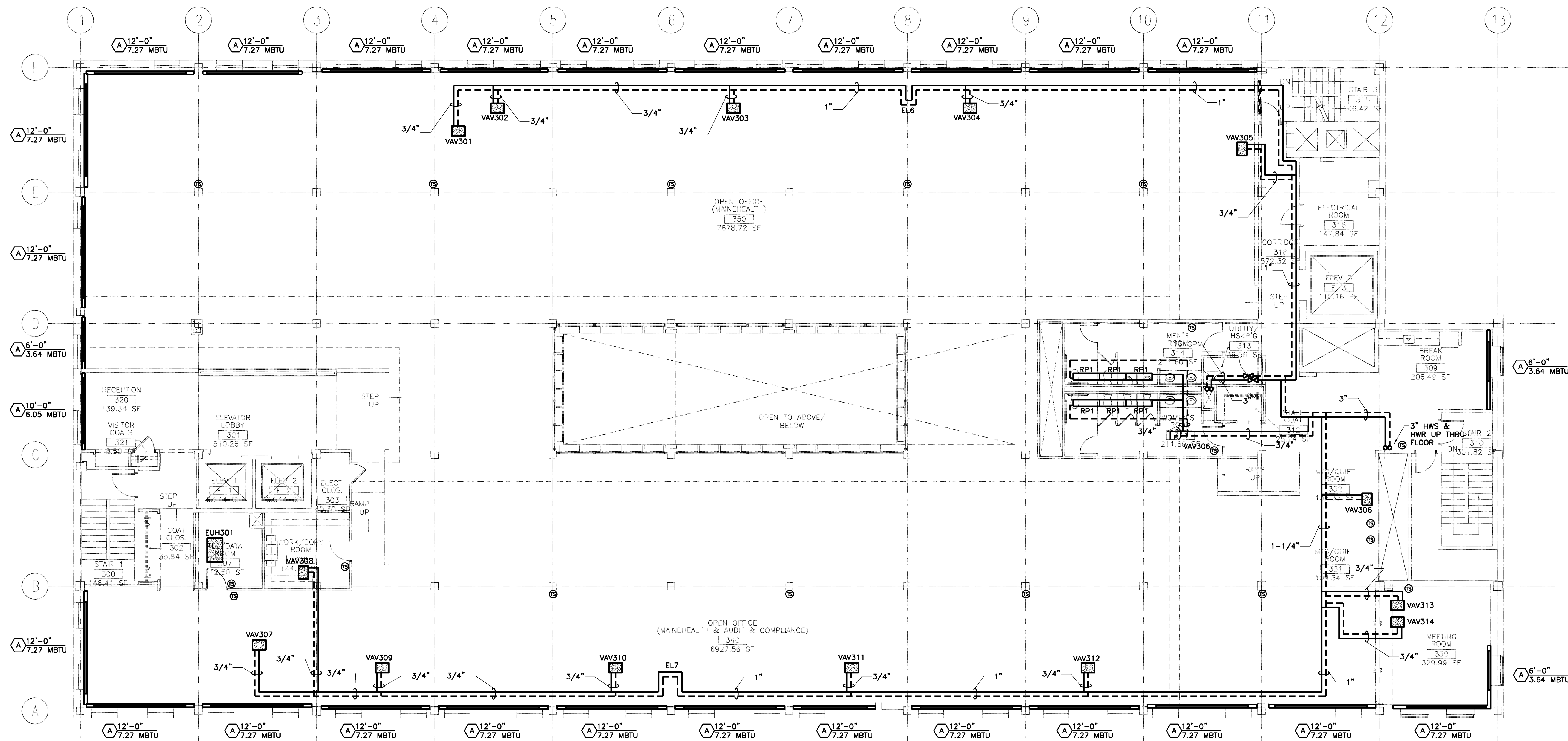
Drawing Title

THIRD FLOOR PLAN PIPING

PA / PE: **SPF** Drawn By: **JSC**

Drawing Number

M20.3



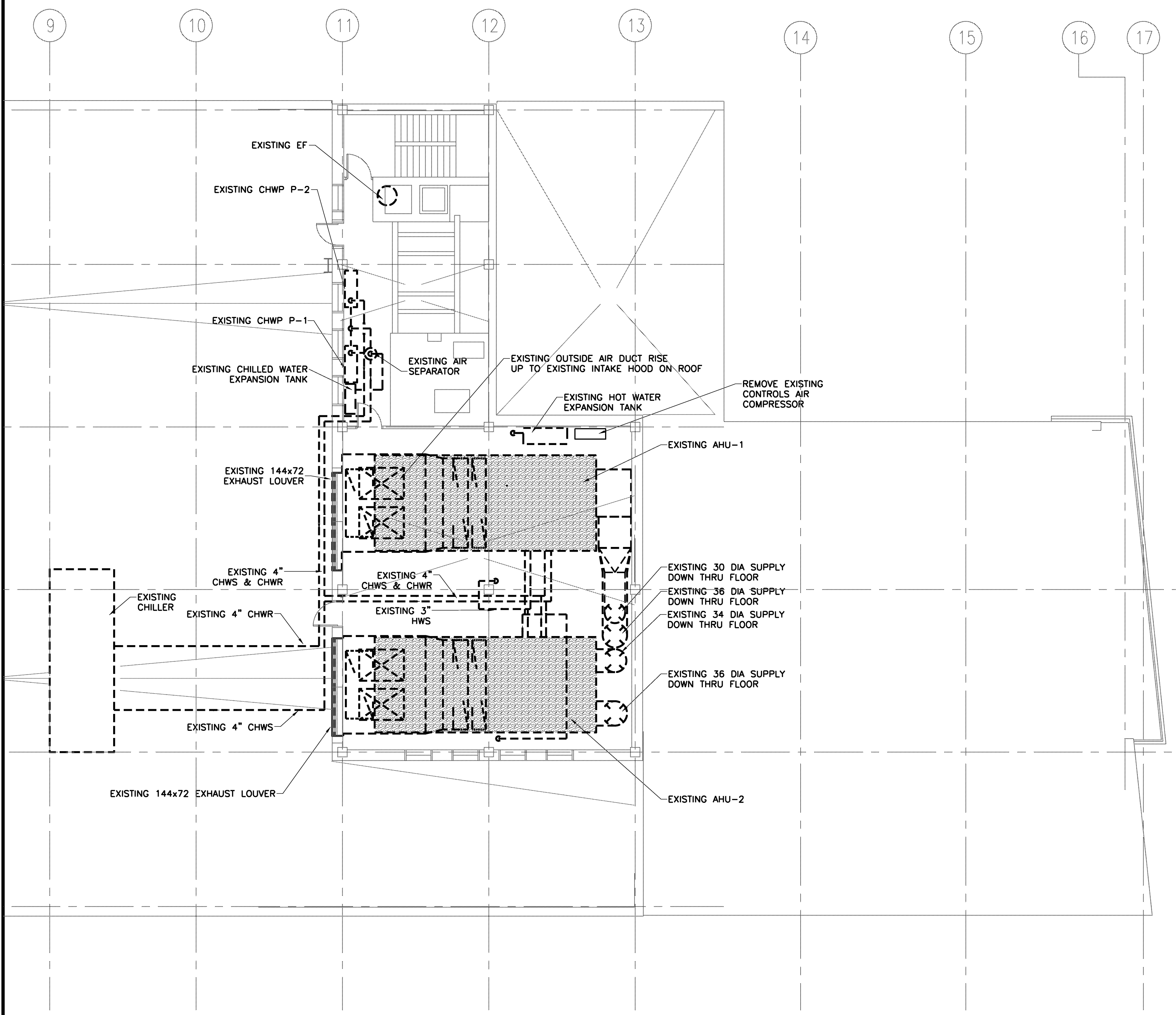
THIRD FLOOR PLAN PIPING

1/8" = 1'-0" REF: M1

Project Title
110 FREE STREET BUILDING RENOVATIONS
PORTLAND, MAINE

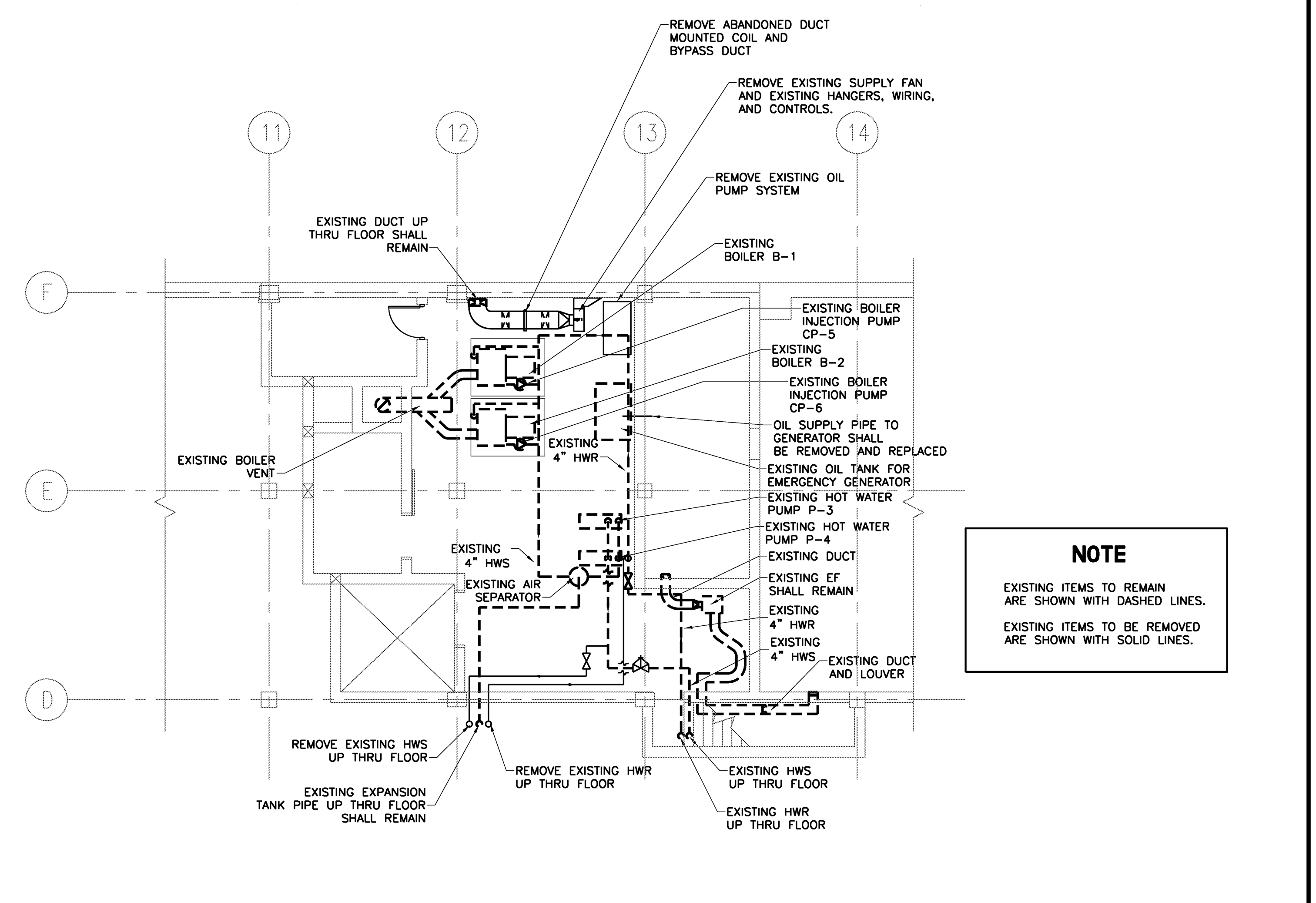
HA Project No. **09146**

Key Plan



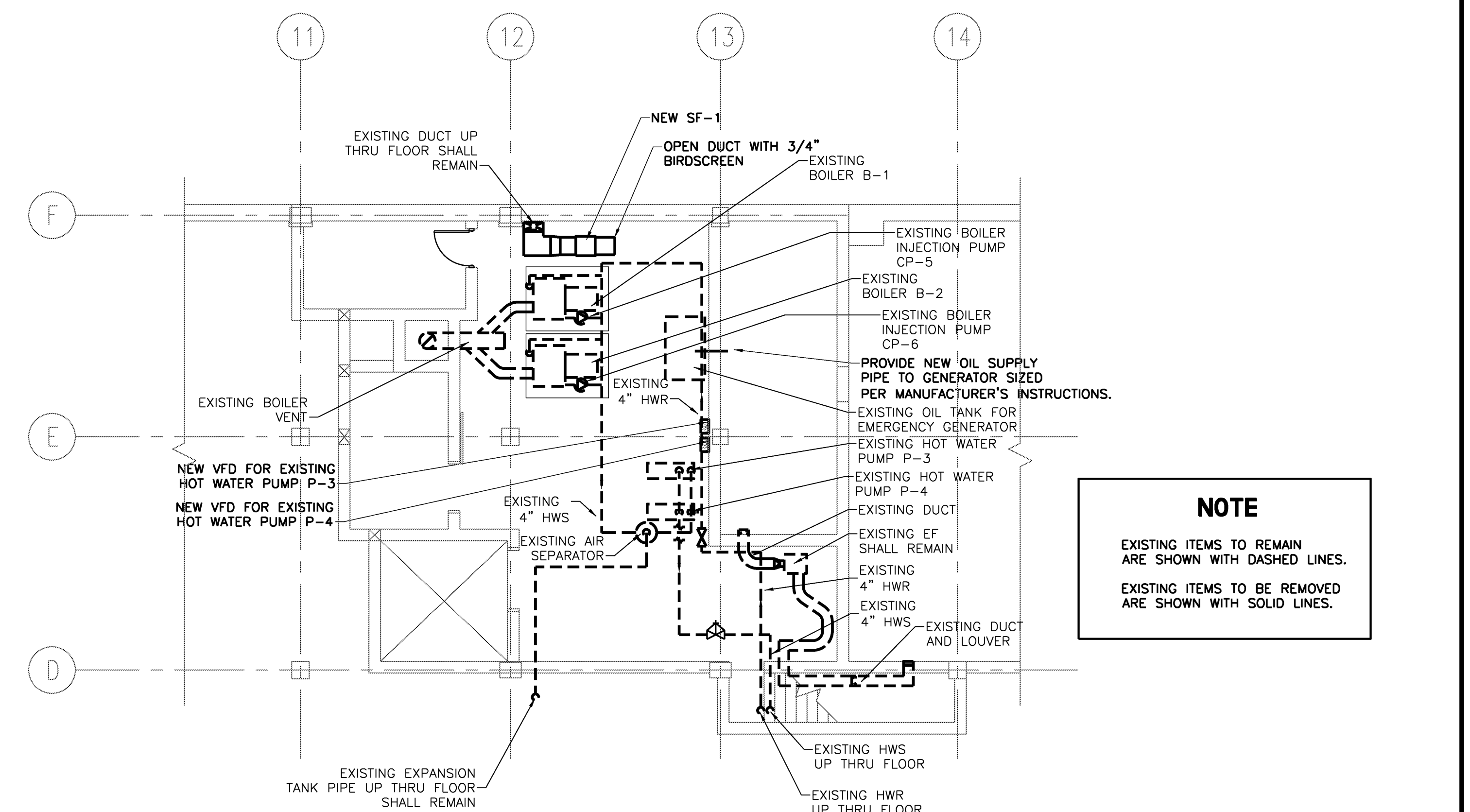
NOTE
EXISTING ITEMS TO REMAIN ARE SHOWN WITH DASHED LINES.
EXISTING ITEMS TO BE REMOVED ARE SHOWN WITH SOLID LINES.

PENTHOUSE PLAN DEMOLITION HVAC
1/8" = 1'-0" REF: **M2**



NOTE
EXISTING ITEMS TO REMAIN ARE SHOWN WITH DASHED LINES.
EXISTING ITEMS TO BE REMOVED ARE SHOWN WITH SOLID LINES.

BASEMENT PLAN DEMOLITION HVAC
1/8" = 1'-0" REF: **M3**



NOTE
EXISTING ITEMS TO REMAIN ARE SHOWN WITH DASHED LINES.
EXISTING ITEMS TO BE REMOVED ARE SHOWN WITH SOLID LINES.

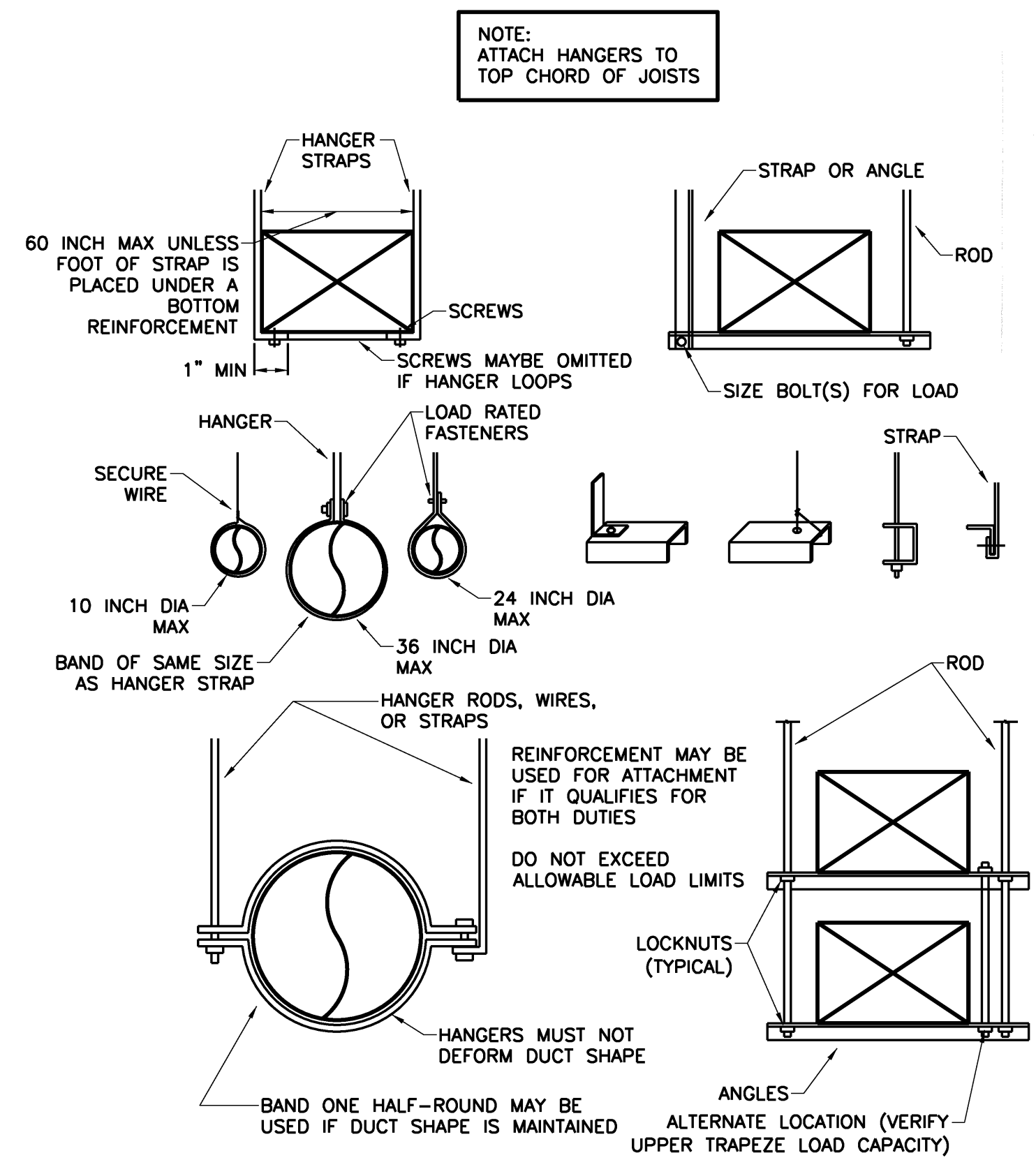
BASEMENT PLAN HVAC
1/8" = 1'-0" REF: **M1**

Mark	Date	Description
02/12/10		ISSUED FOR CONSTRUCTION
12/11/09		DESIGN DEVELOPMENT
10/23/09		SCHEMATIC DESIGN
Issue Dates		

Drawing Status
ISSUED FOR CONSTRUCTION

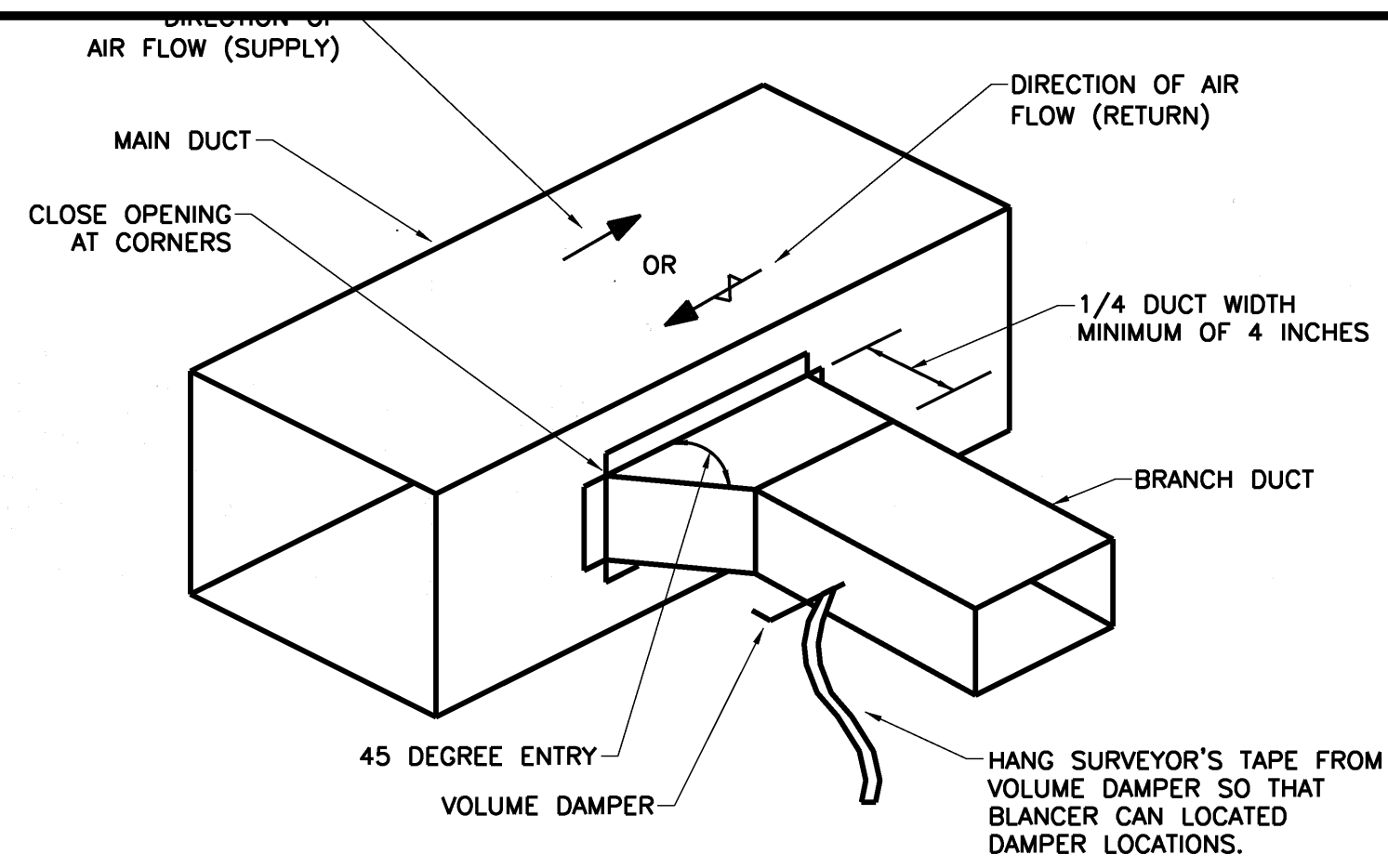
Drawing Title
PART PLANS HVAC
PA / PE: **SPF** Drawn By: **JSC**
Drawing Number

M21.0

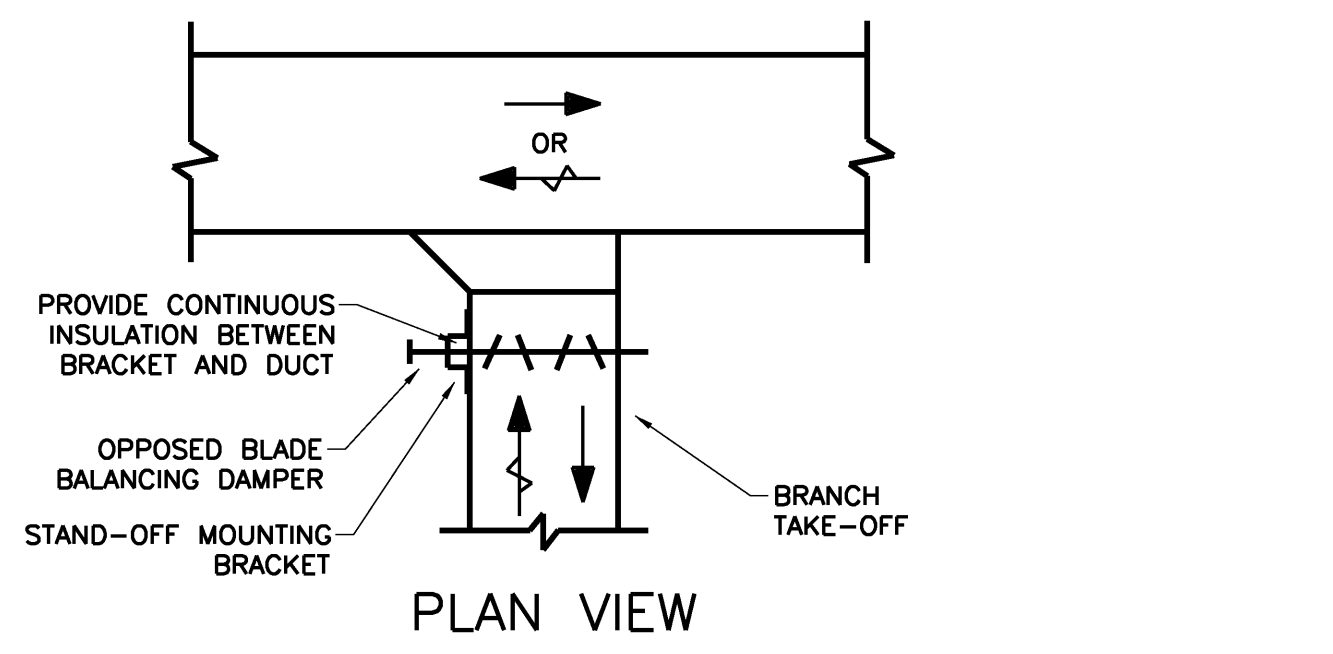


STRAP HANGERS TRAPEZE HANGERS

LOWER HANGER	REF:	M12
--------------	------	-----



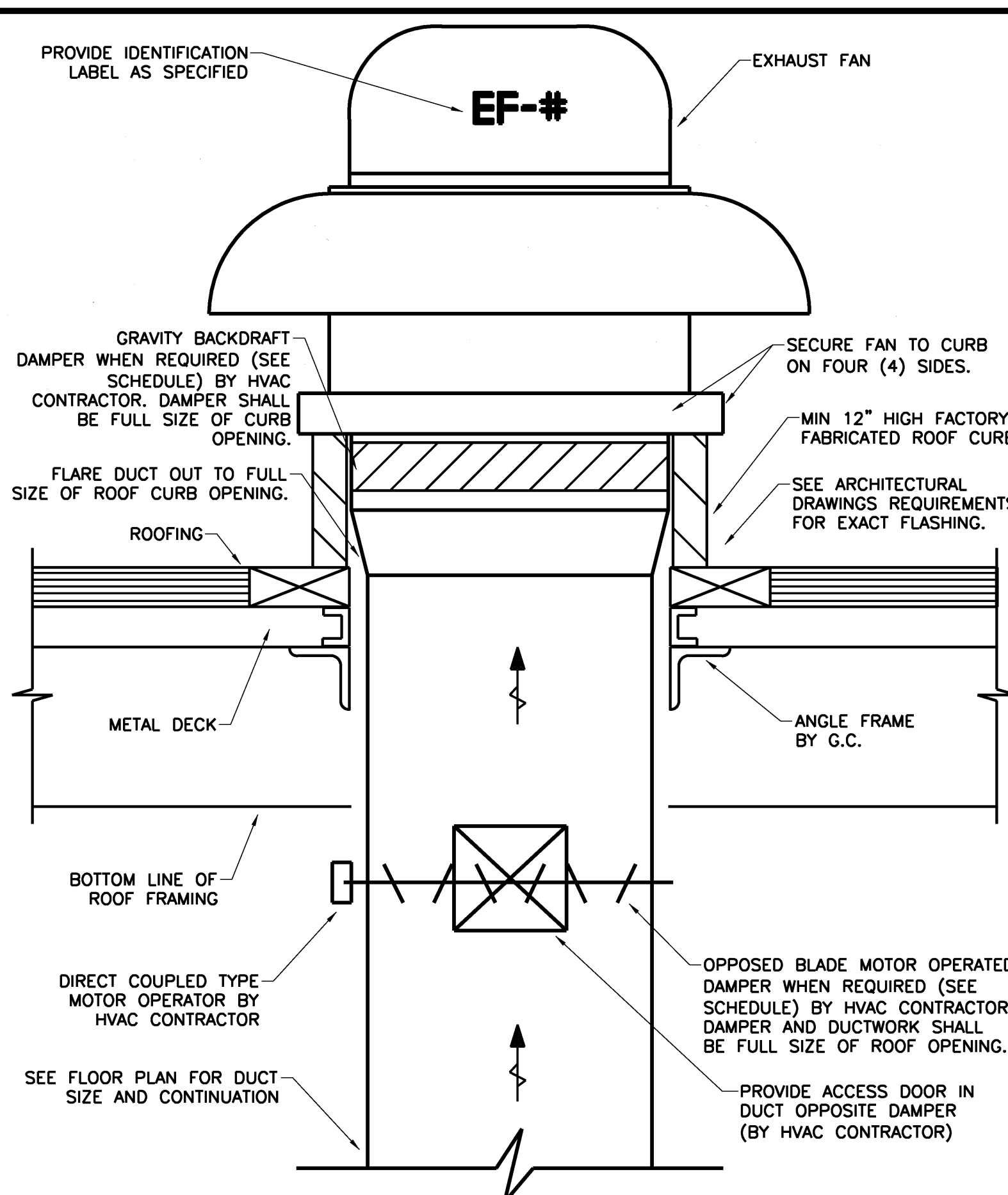
ISOMETRIC VIEW



PLAN VIEW

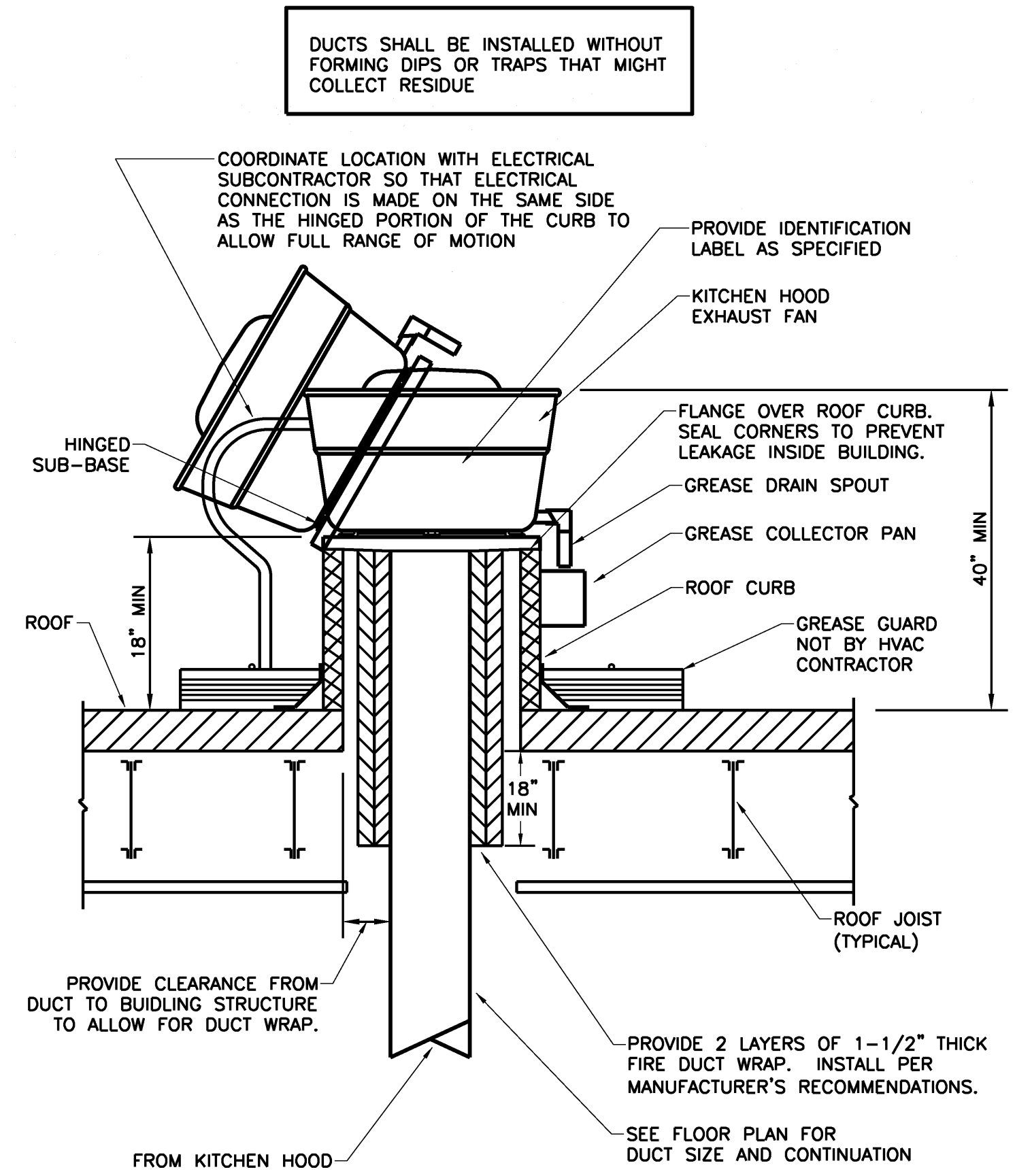
INSULATED SUPPLY AND RETURN DUCTWORK SHALL BE INSTALLED WITH STAND-OFF MOUNTING BRACKETS FOR VOLUME/BALANCING DAMPER OPERATORS. ALLOW CLEARANCE BETWEEN DUCT AND OPERATOR OF NOT LESS THAN INSULATION THICKNESS

BRANCH DUCT TAKE-OFF	REF:	M11
----------------------	------	-----

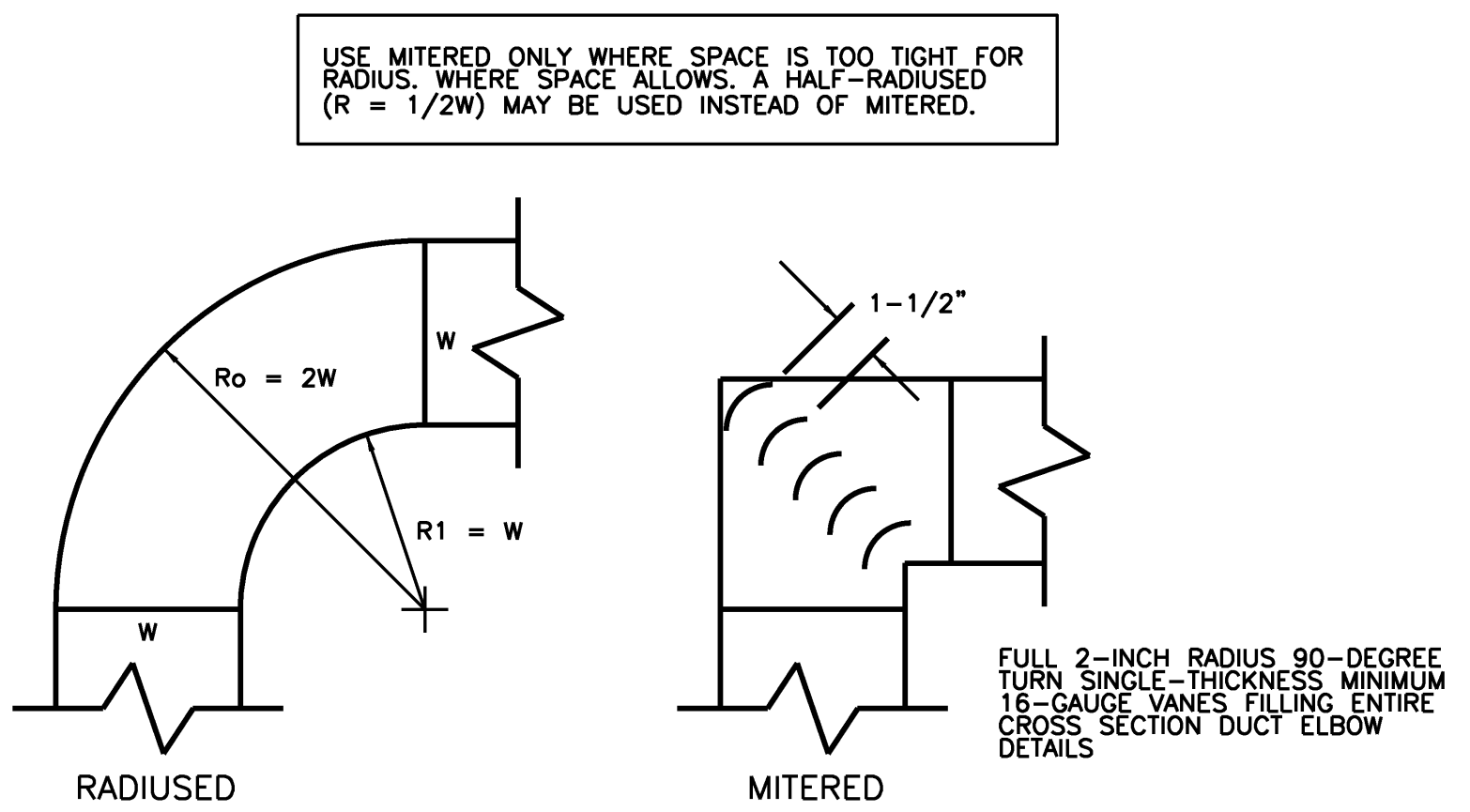


SEE SCHEDULE FOR EXHAUST FANS REQUIRING MOTORIZED DAMPERS. ALL OTHER EXHAUST FANS WILL HAVE BACK DRAFT DAMPERS.

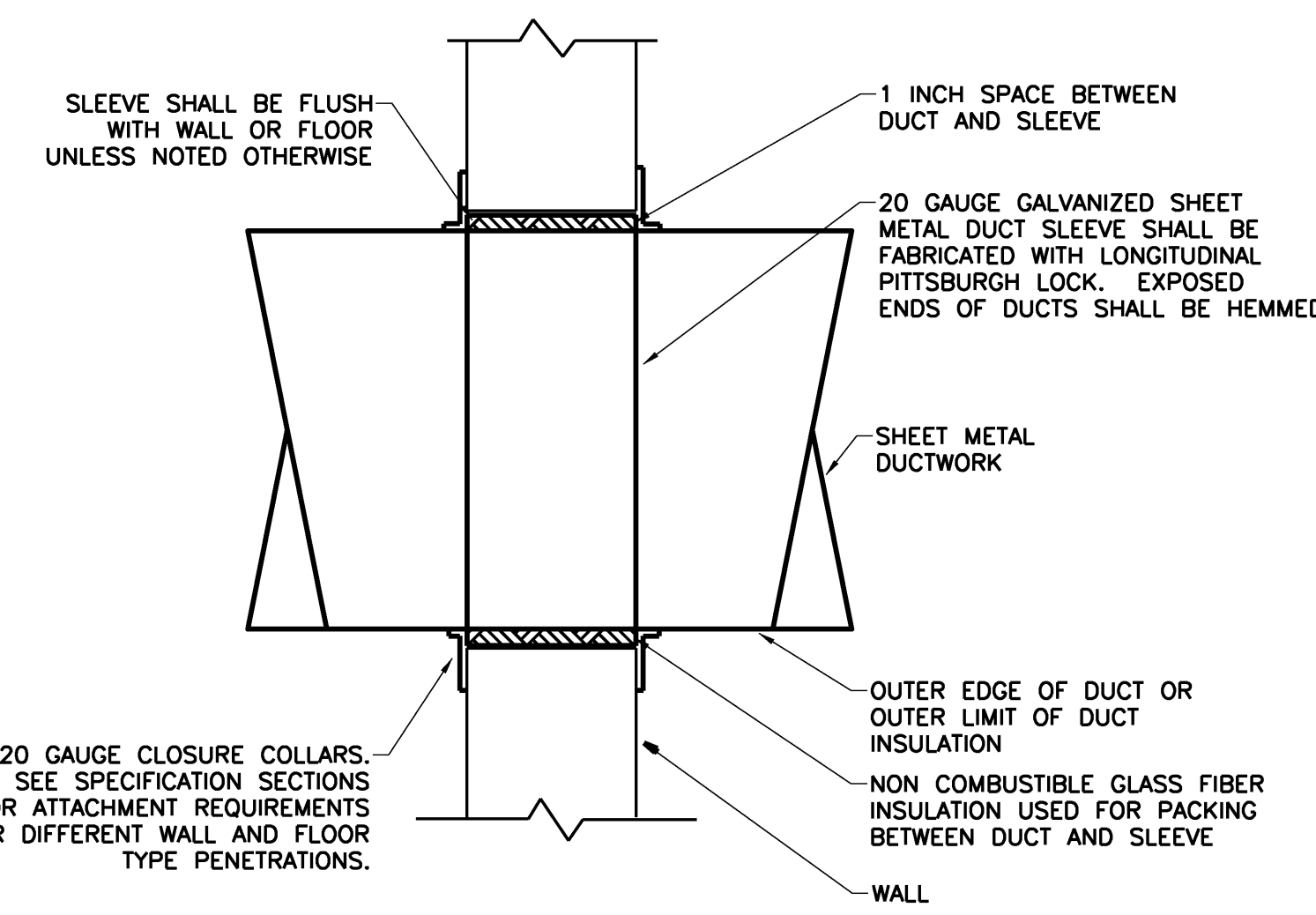
EXHAUST FAN	REF:	M10
-------------	------	-----



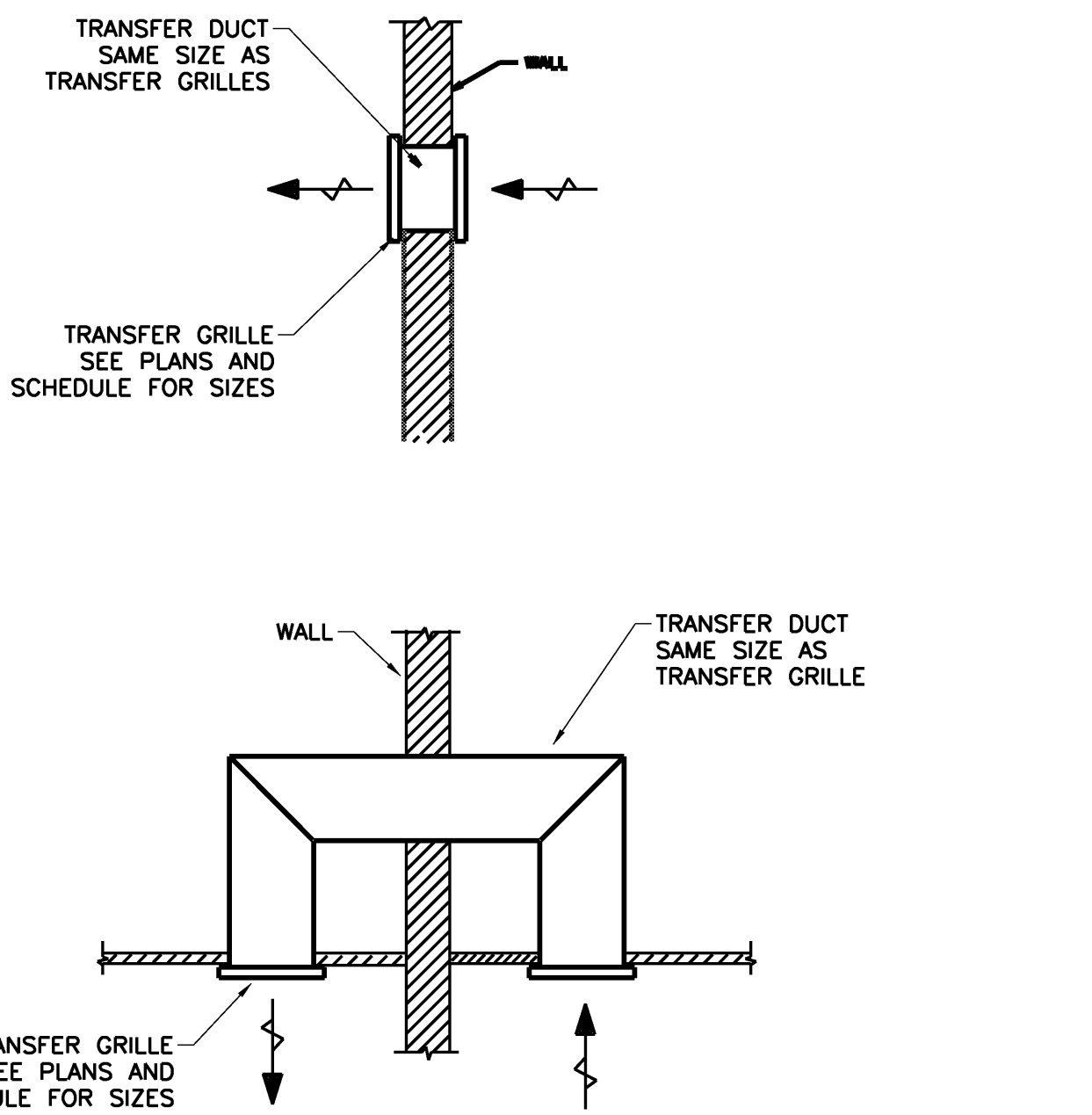
KITCHEN EXHAUST FAN	REF:	M9
---------------------	------	----



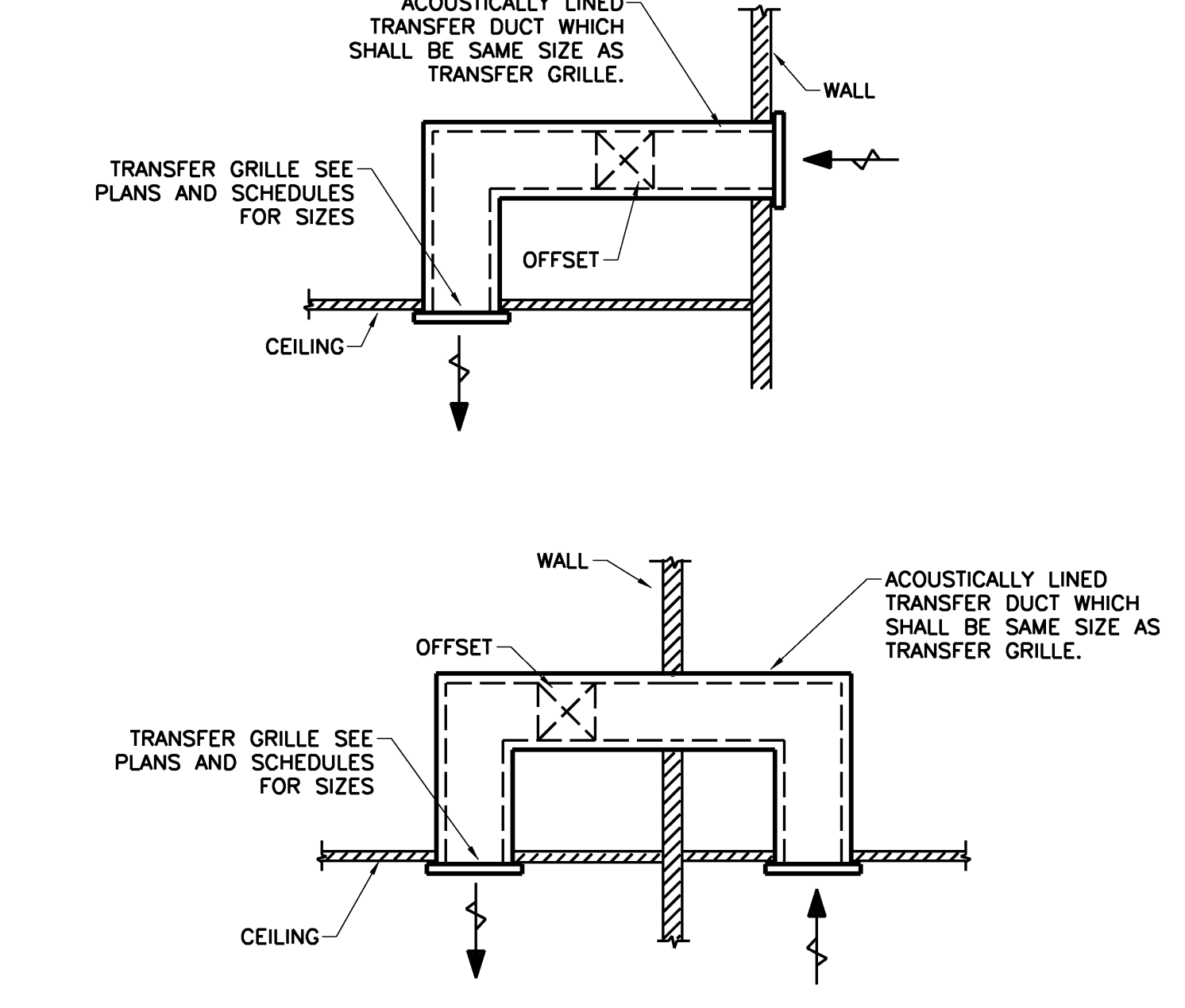
DUCT ELBOW	REF:	M8
------------	------	----



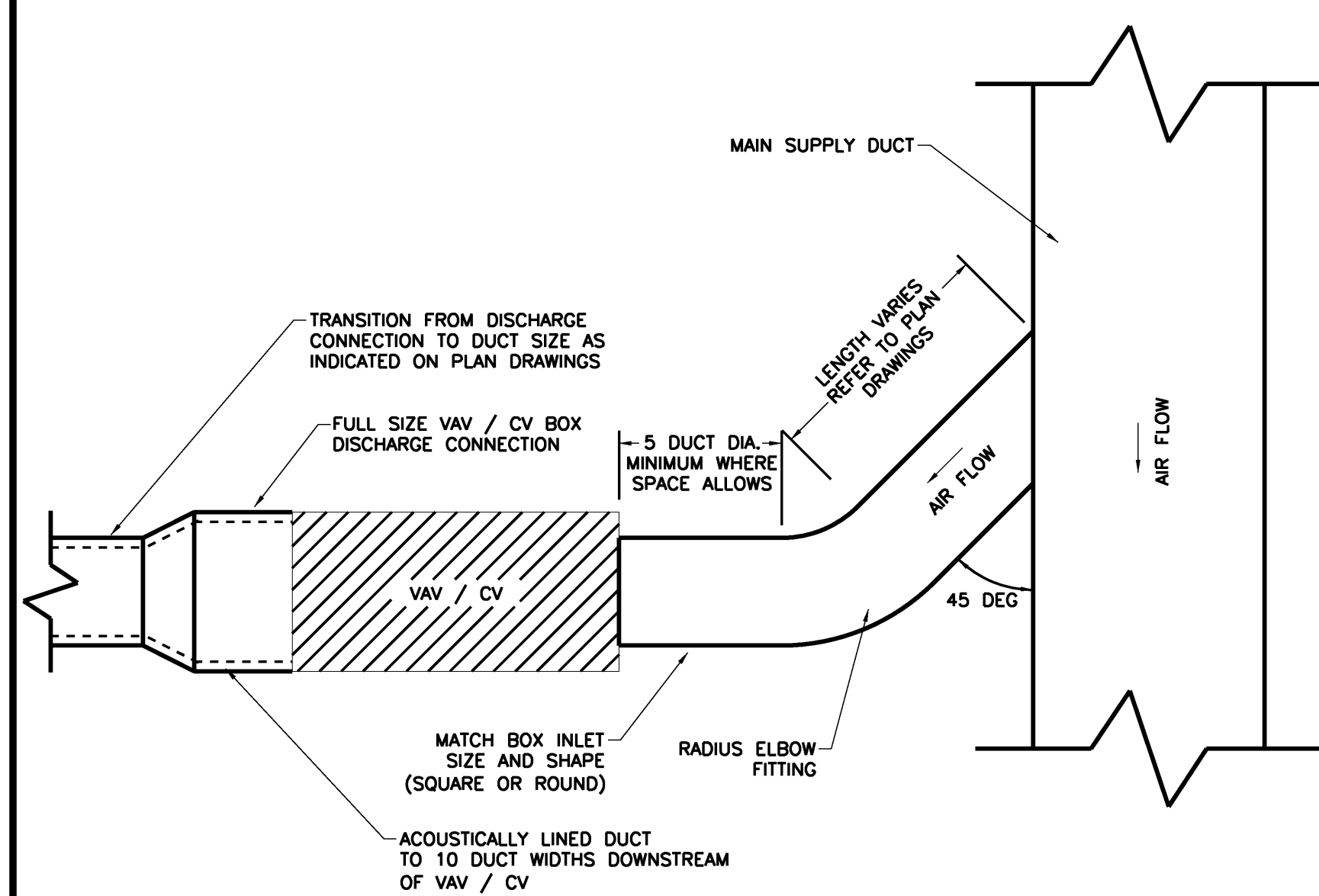
DUCT SLEEVE	REF:	M7
-------------	------	----



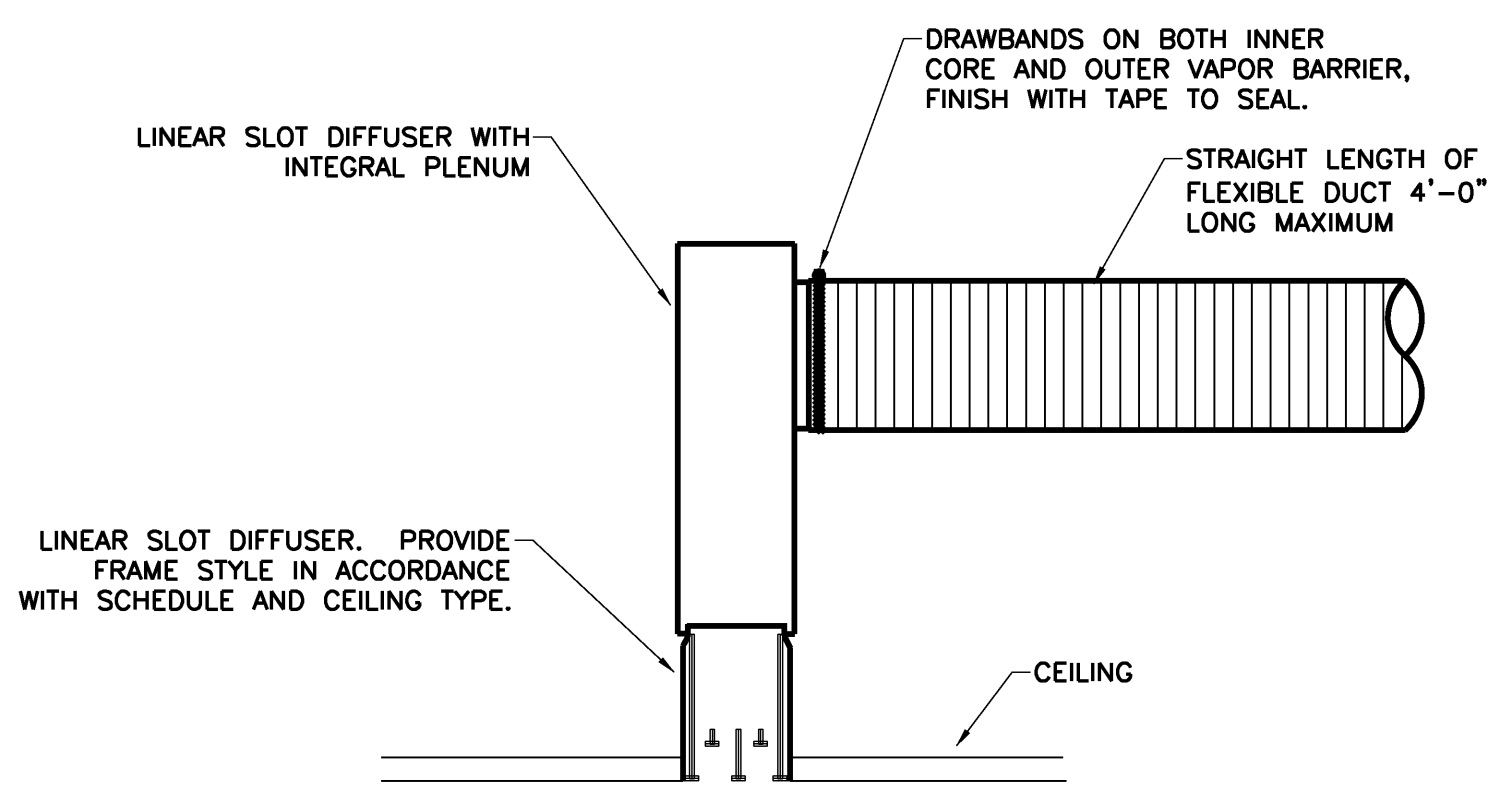
TRANSFER DUCT W/ ACOUSTICAL LINING	REF:	M6
------------------------------------	------	----



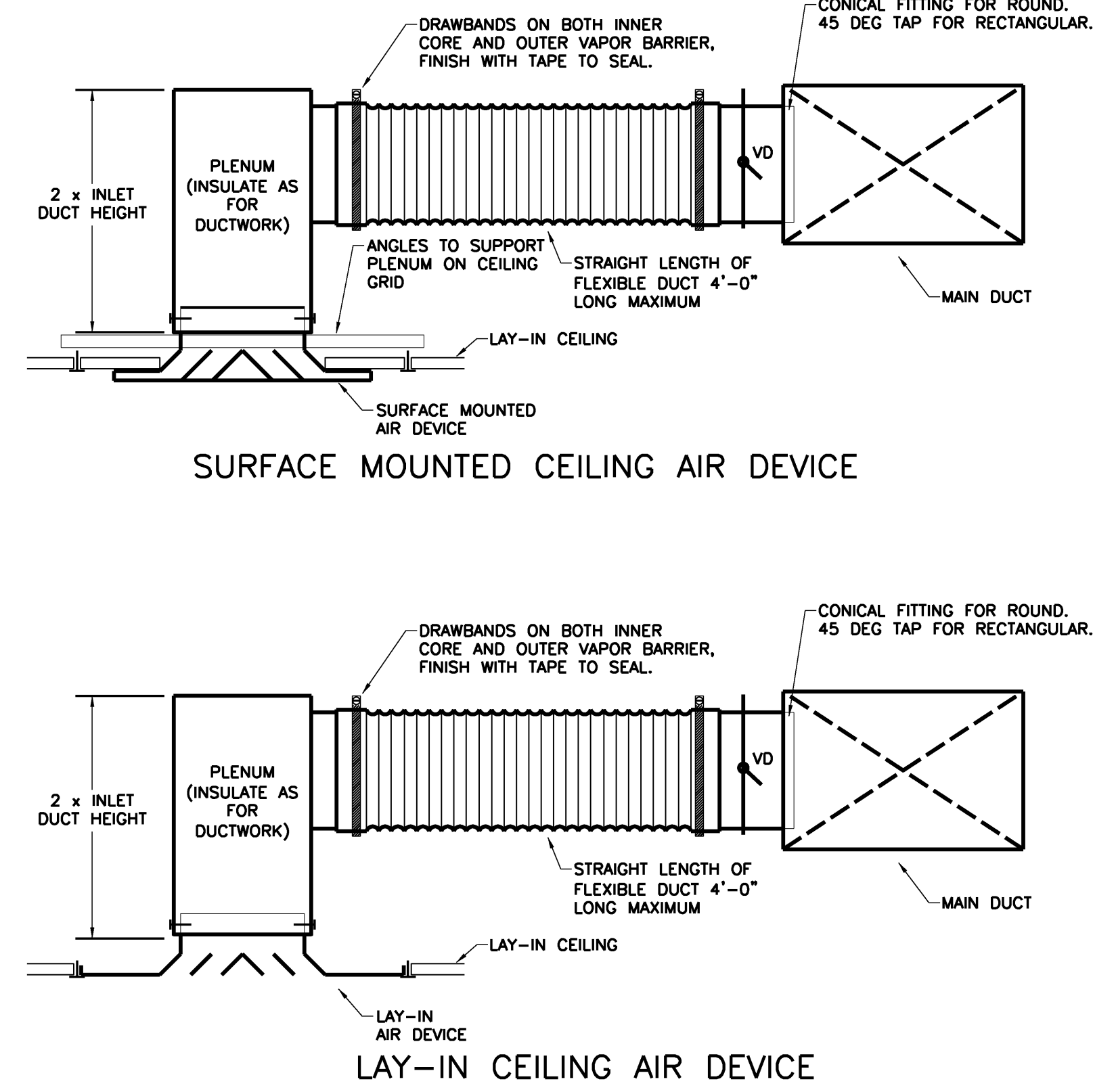
TRANSFER DUCT	REF:	M5
---------------	------	----



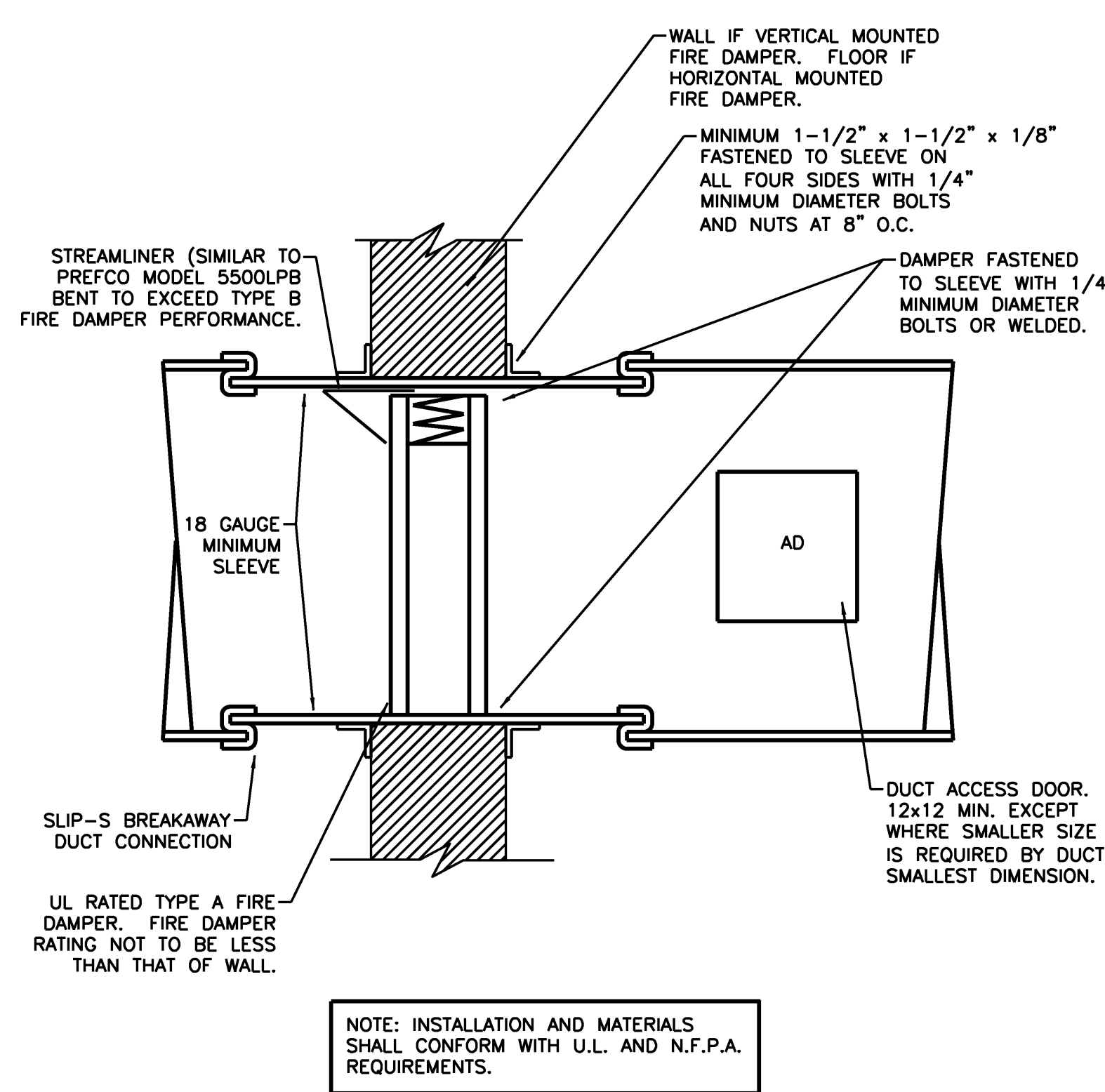
VARIABLE AIR VOLUME BOX	REF: -	M4
-------------------------	--------	----



LINEAR DIFFUSER	REF:	M3
-----------------	------	----



CEILING DIFFUSER	REF:	M2
------------------	------	----



TYPE A FIRE DAMPER	REF:	M1
--------------------	------	----

02/12/10	ISSUED FOR CONSTRUCTION	
11/25/09	ISSUED FOR BID	
Mark	Date	Description
Issue Dates		

Drawing Status
ISSUED FOR CONSTRUCTION

Drawing Title
DETAILS HVAC

REF: **M12**

REF: **M11**

REF: **M10**

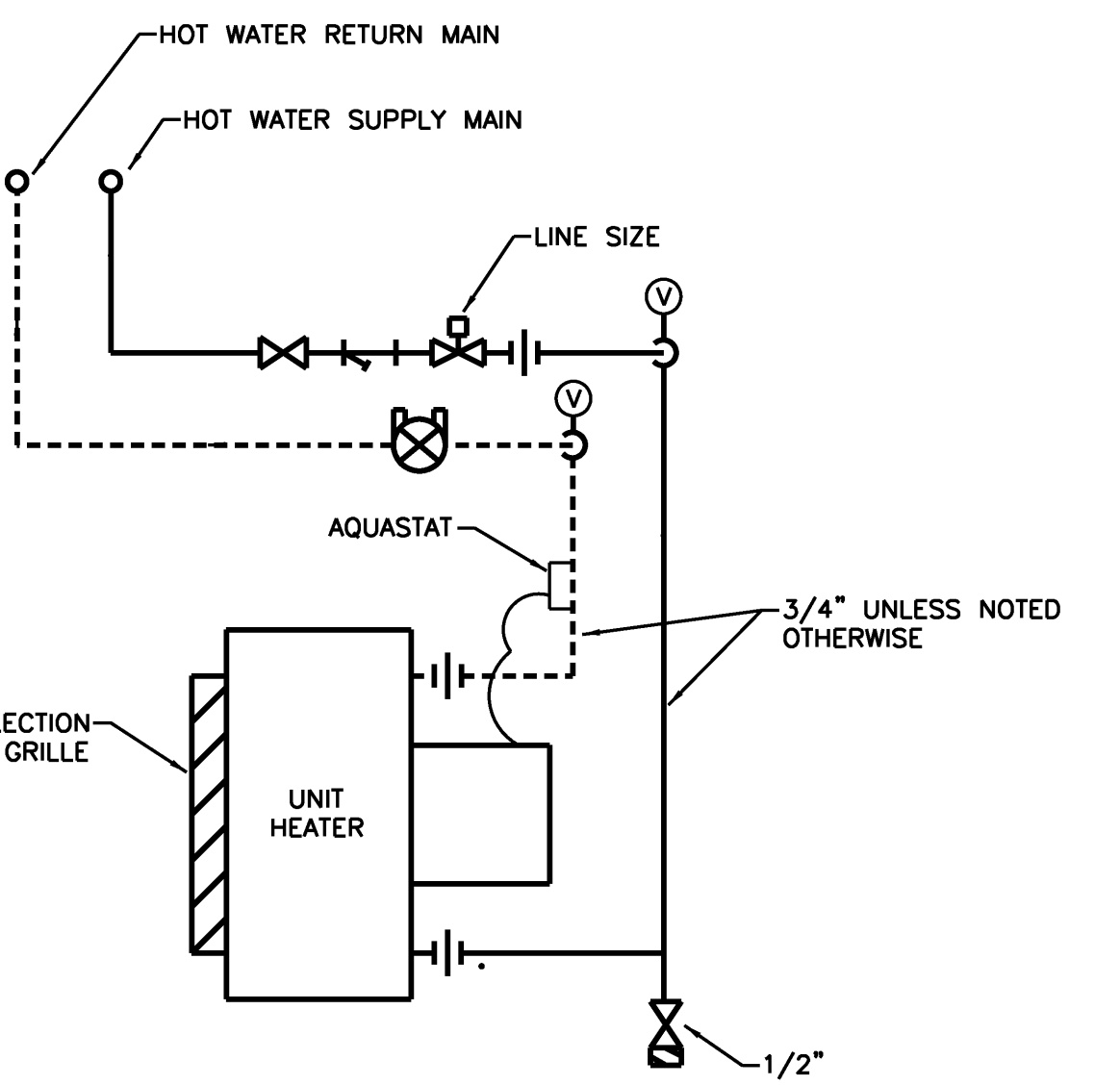
REF: **M9**

REF: **M8**

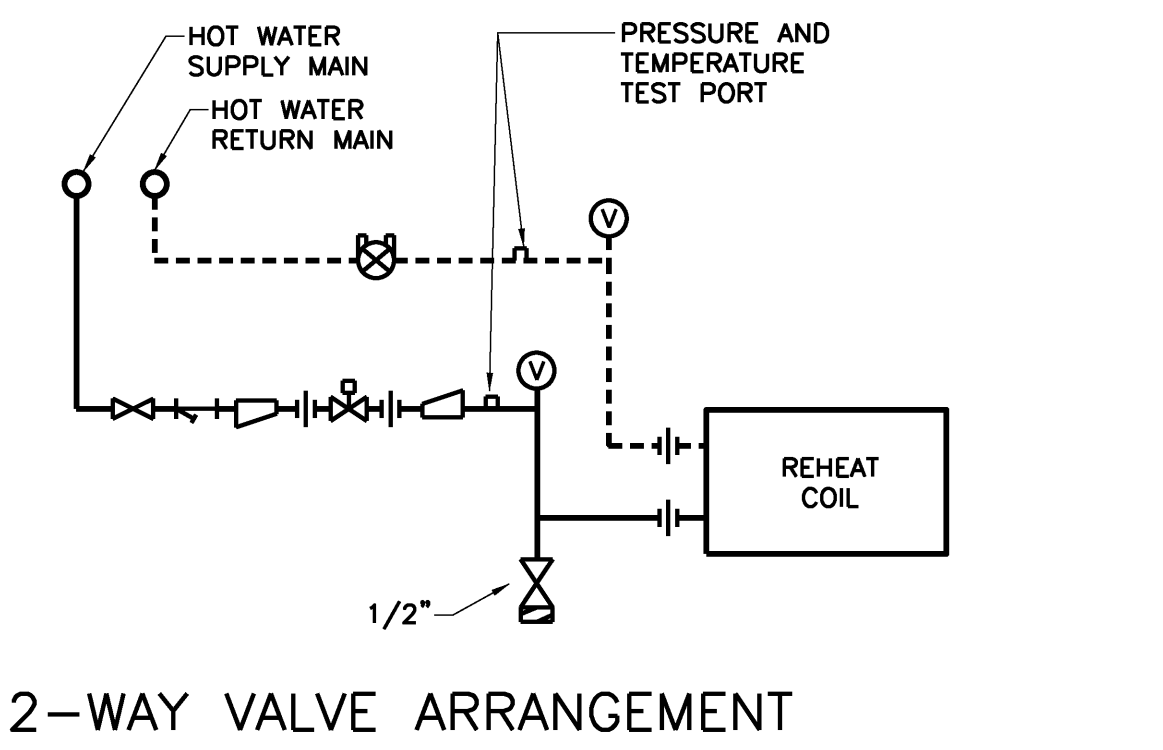
DIFFERENTIAL PRESSURE SENSOR
REF: **M7**

FINTUBE RADIATION
REF: **M6**

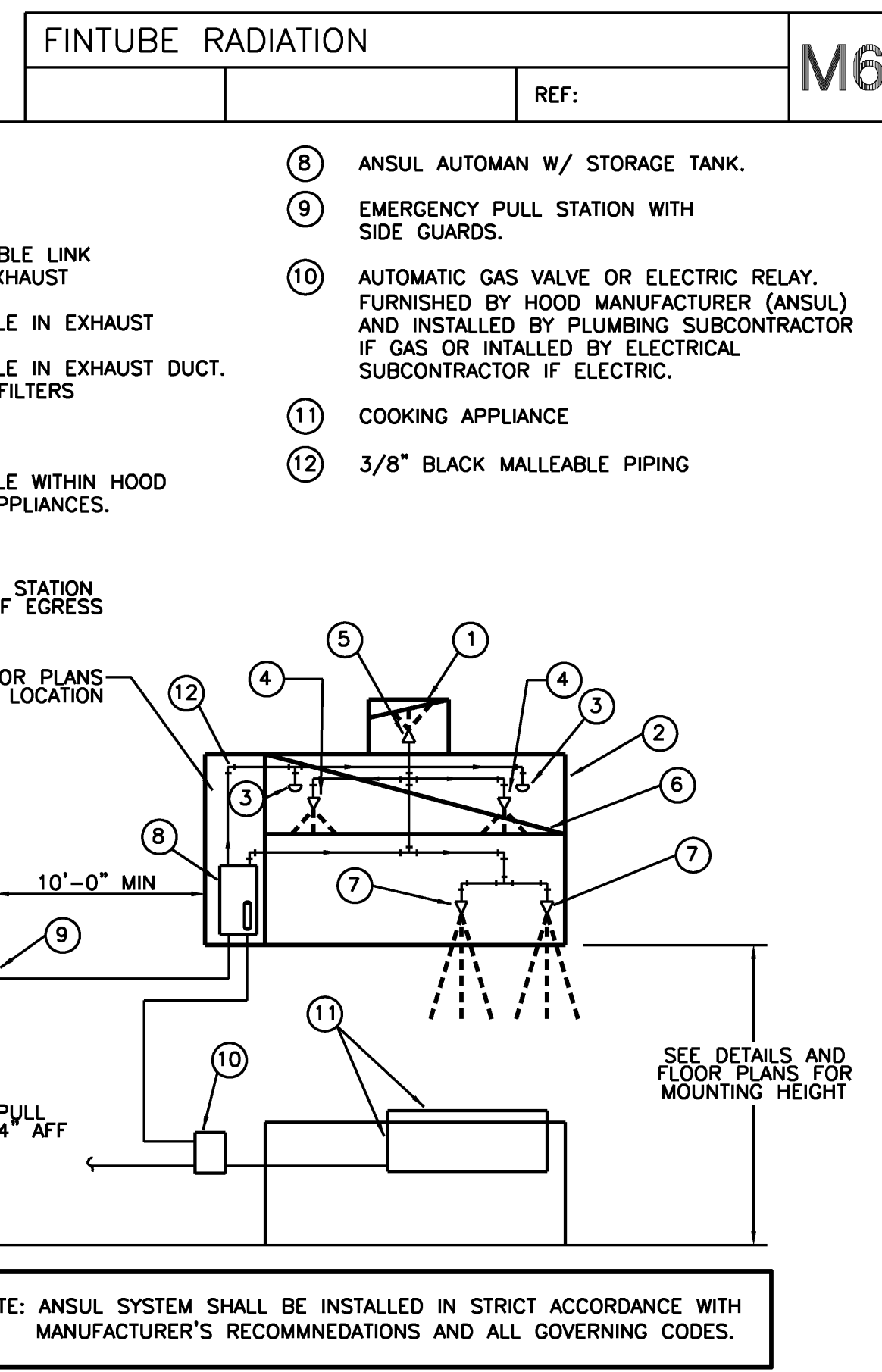
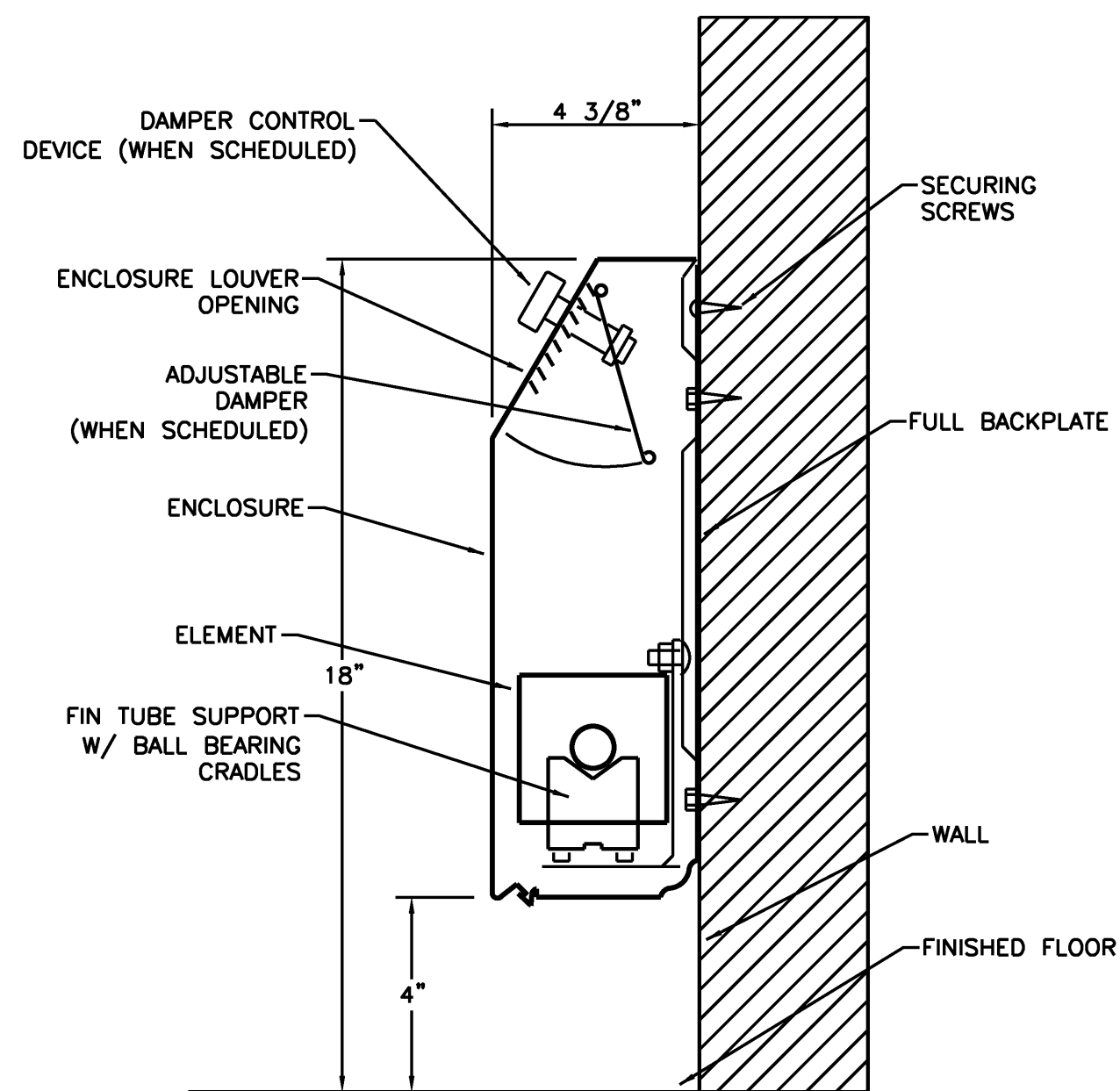
HOT WATER RADIATION (UPFEED)
REF: **M5**



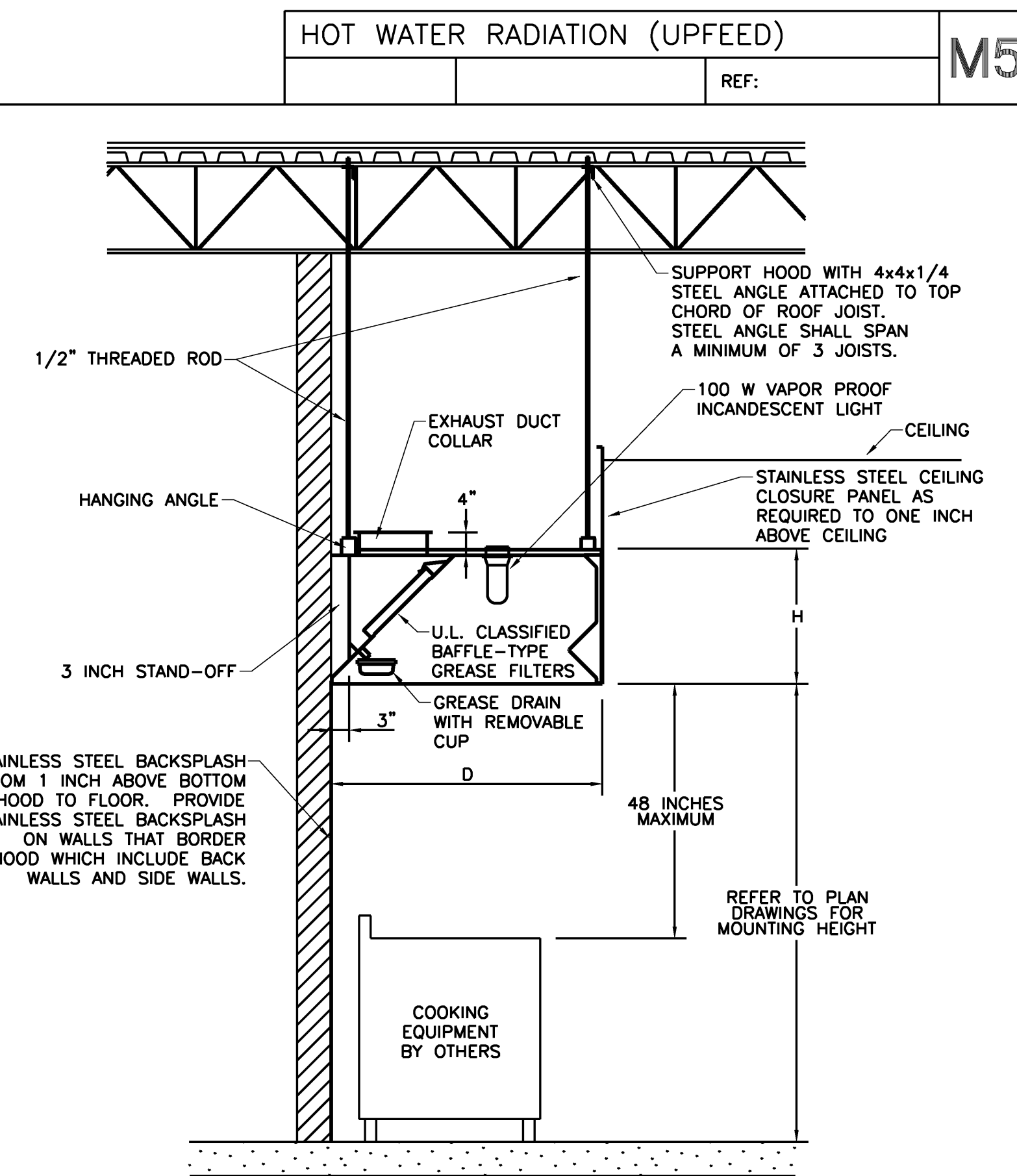
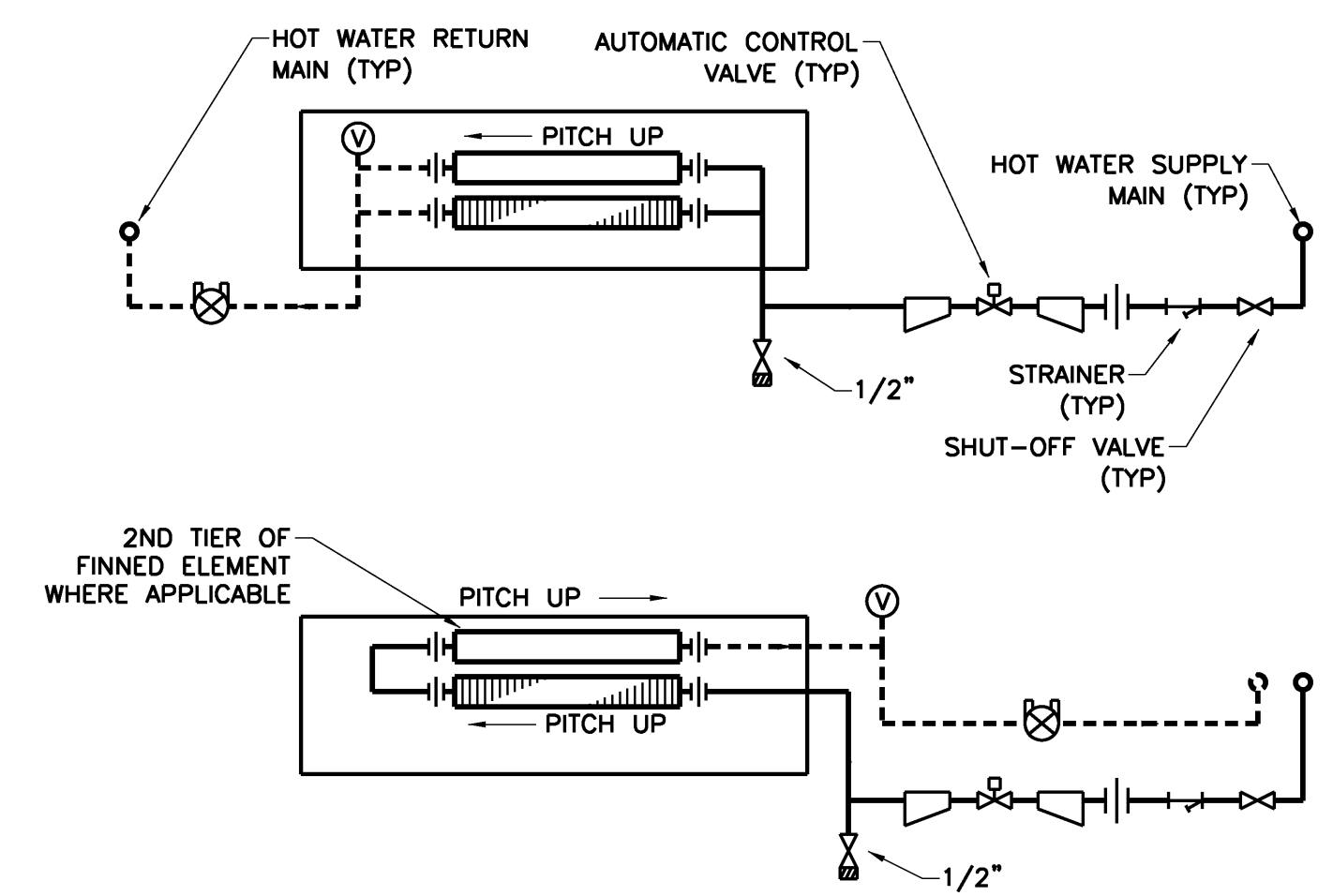
HOT WATER UNIT HEATER
REF: **M4**



HOT WATER COIL
REF: **M3**



ANSUL FIRE SUPPRESSION
REF: **M2**



KITCHEN EXHAUST HOOD
REF: **M1**

02/12/10	ISSUED FOR CONSTRUCTION
11/25/09	ISSUED FOR BID
Mark	Date
	Description
Issue Dates	

Drawing Status

ISSUED FOR CONSTRUCTION

Drawing Title

DETAILS HVAC

PA / PE: SPF Drawn By: JSC

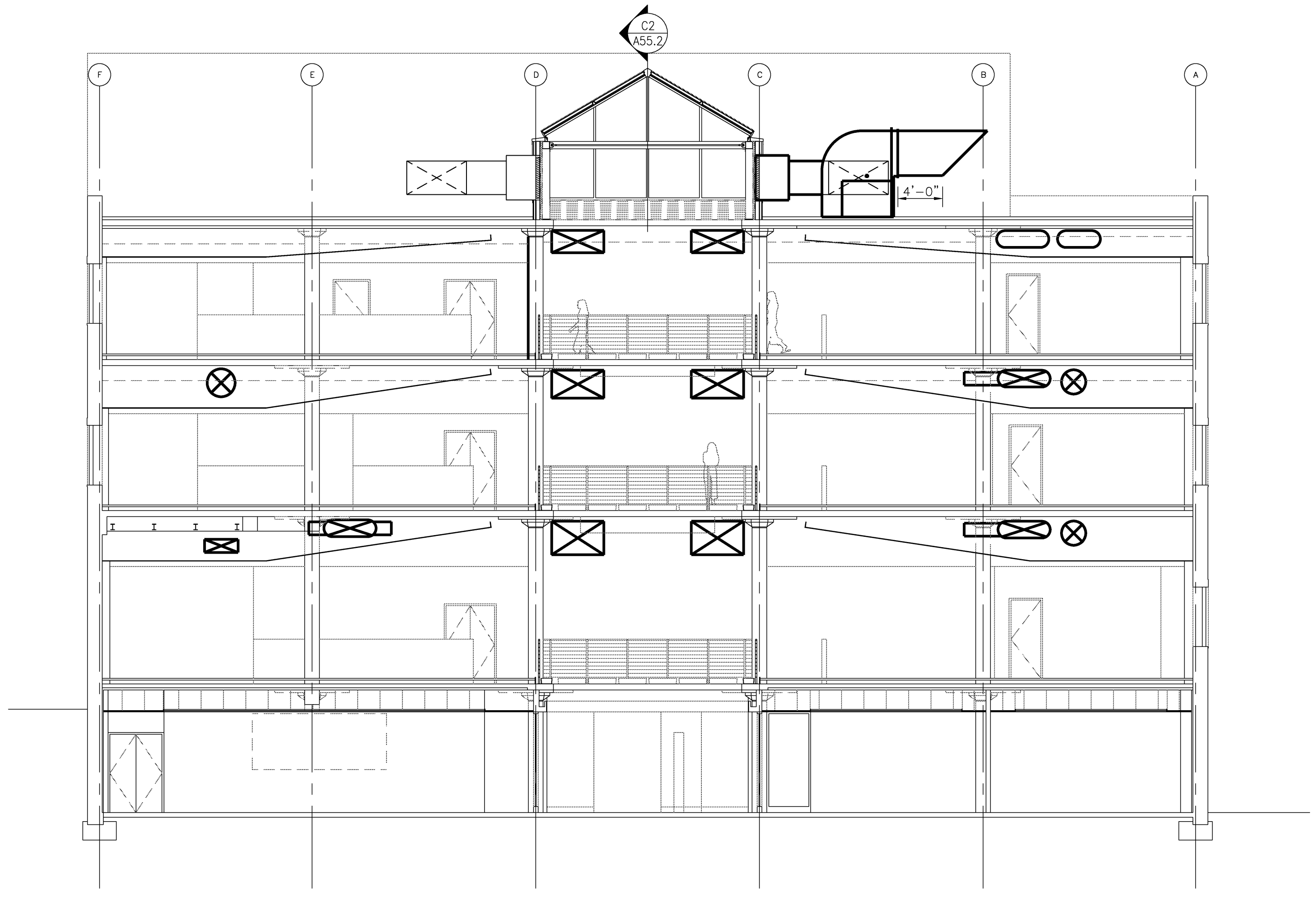
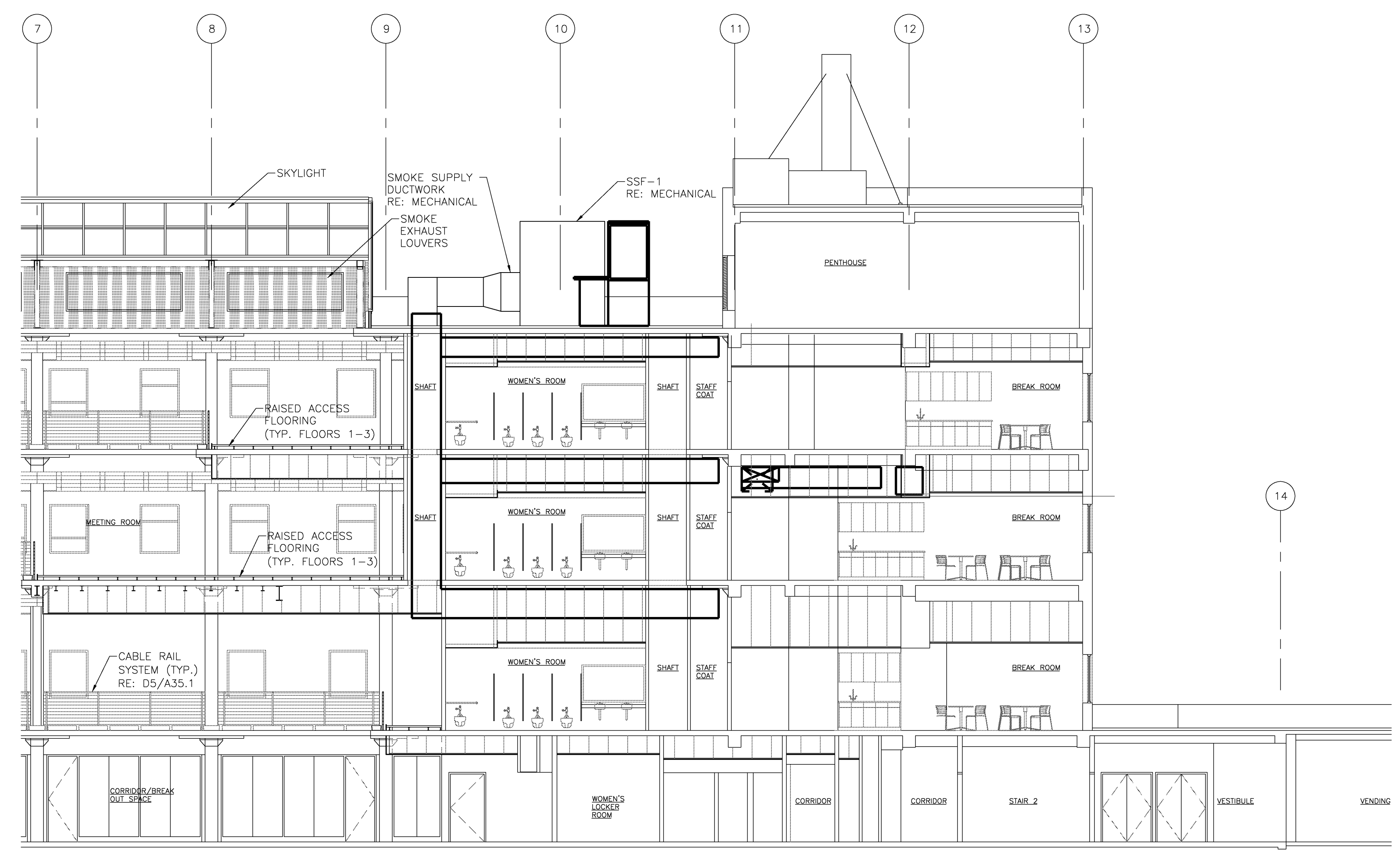
Drawing Number

M30.1

Project Title
110 FREE STREET BUILDING RENOVATIONS
PORTLAND, MAINE

HA Project No. **09145**

Key Plan



Mark	Date	Description
02/12/10		ISSUED FOR CONSTRUCTION
Issue Dates		

Drawing Status
ISSUED FOR CONSTRUCTION

Drawing Title
SECTIONS HVAC

PA / PE: SPF Drawn By: JSC

Drawing Number
M31.0

