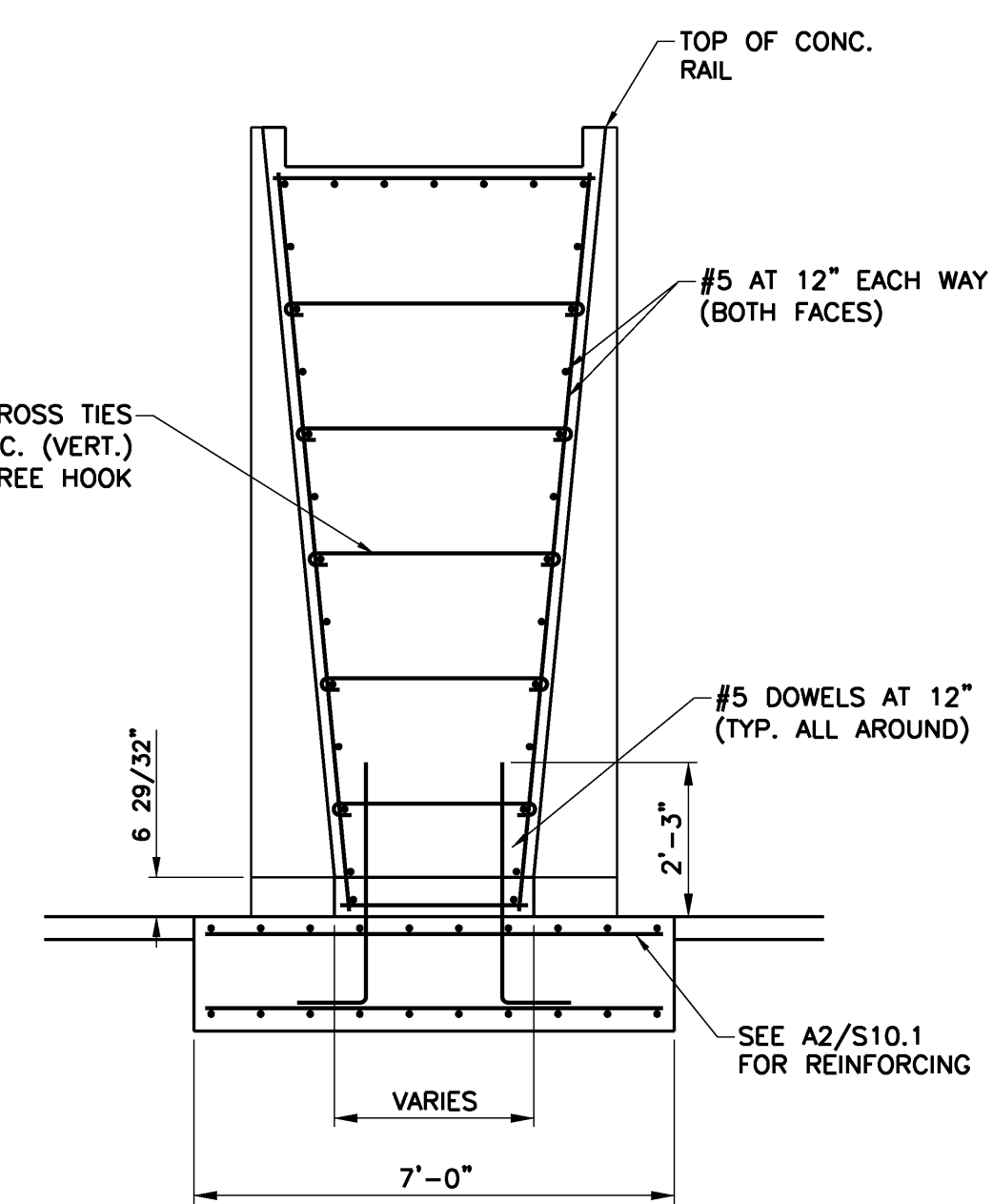


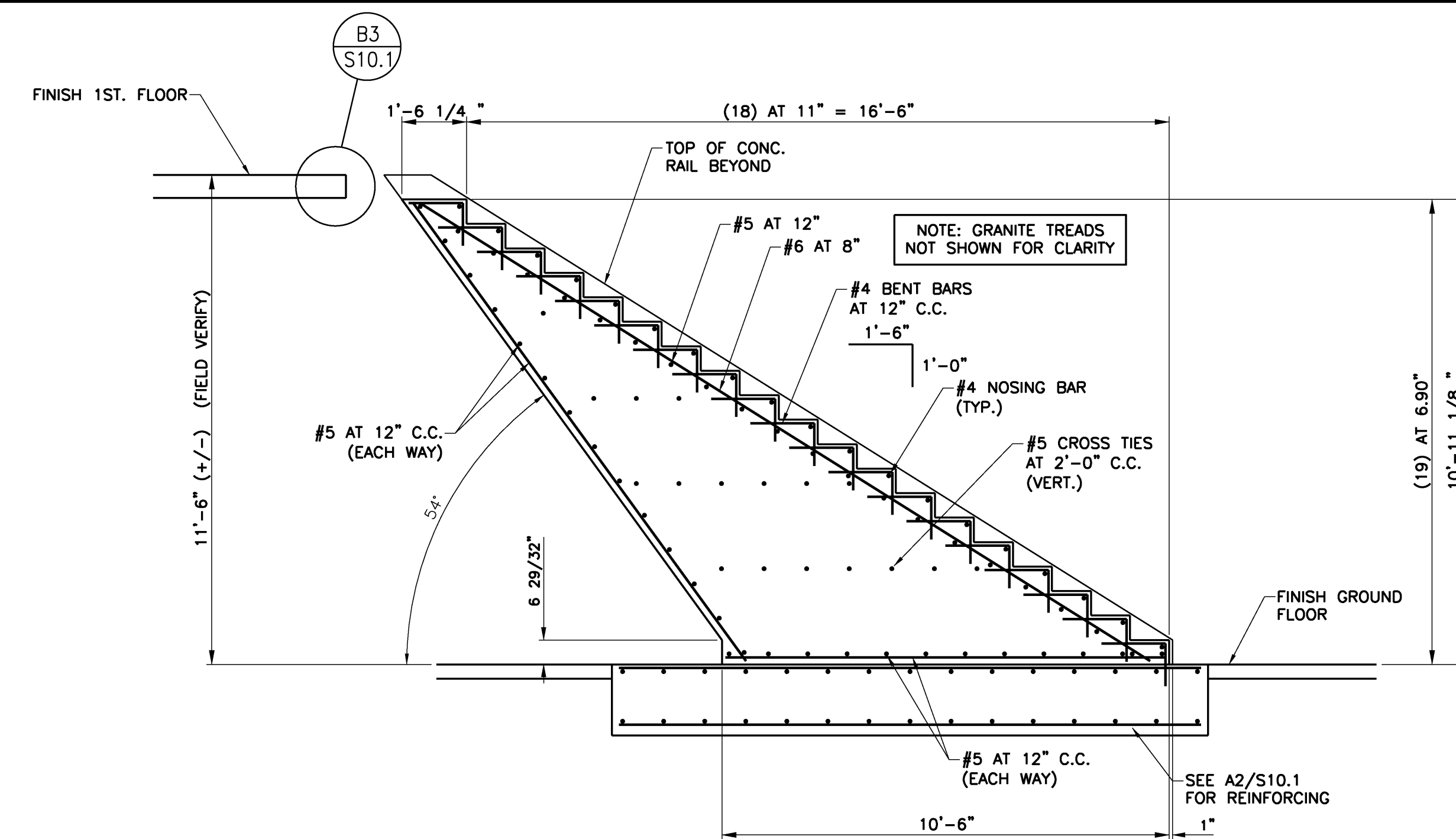
Project Title  
**110 FREE STREET BUILDING RENOVATIONS**  
 PORTLAND, MAINE

HA Project No. 09146

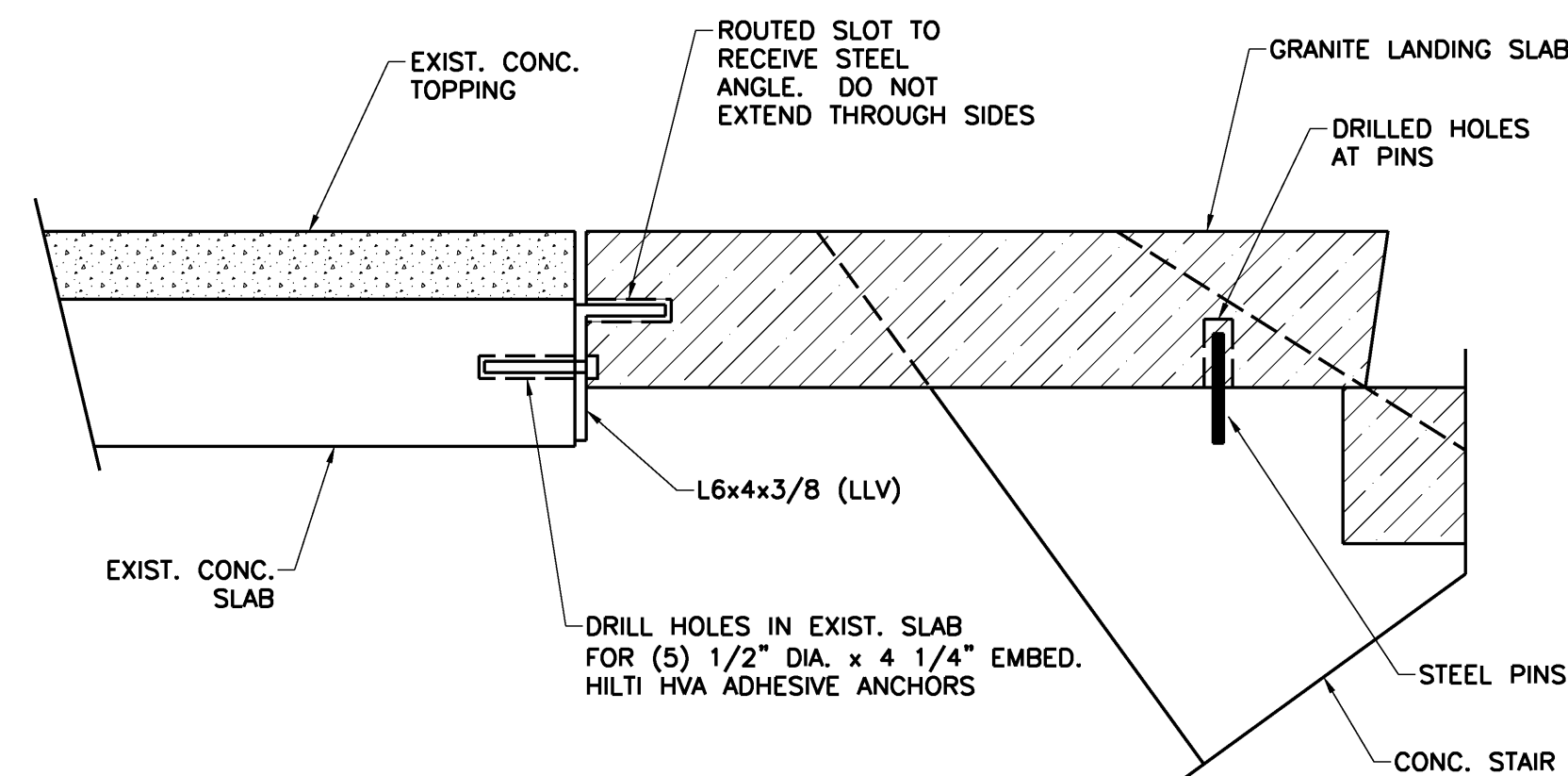
Key Plan



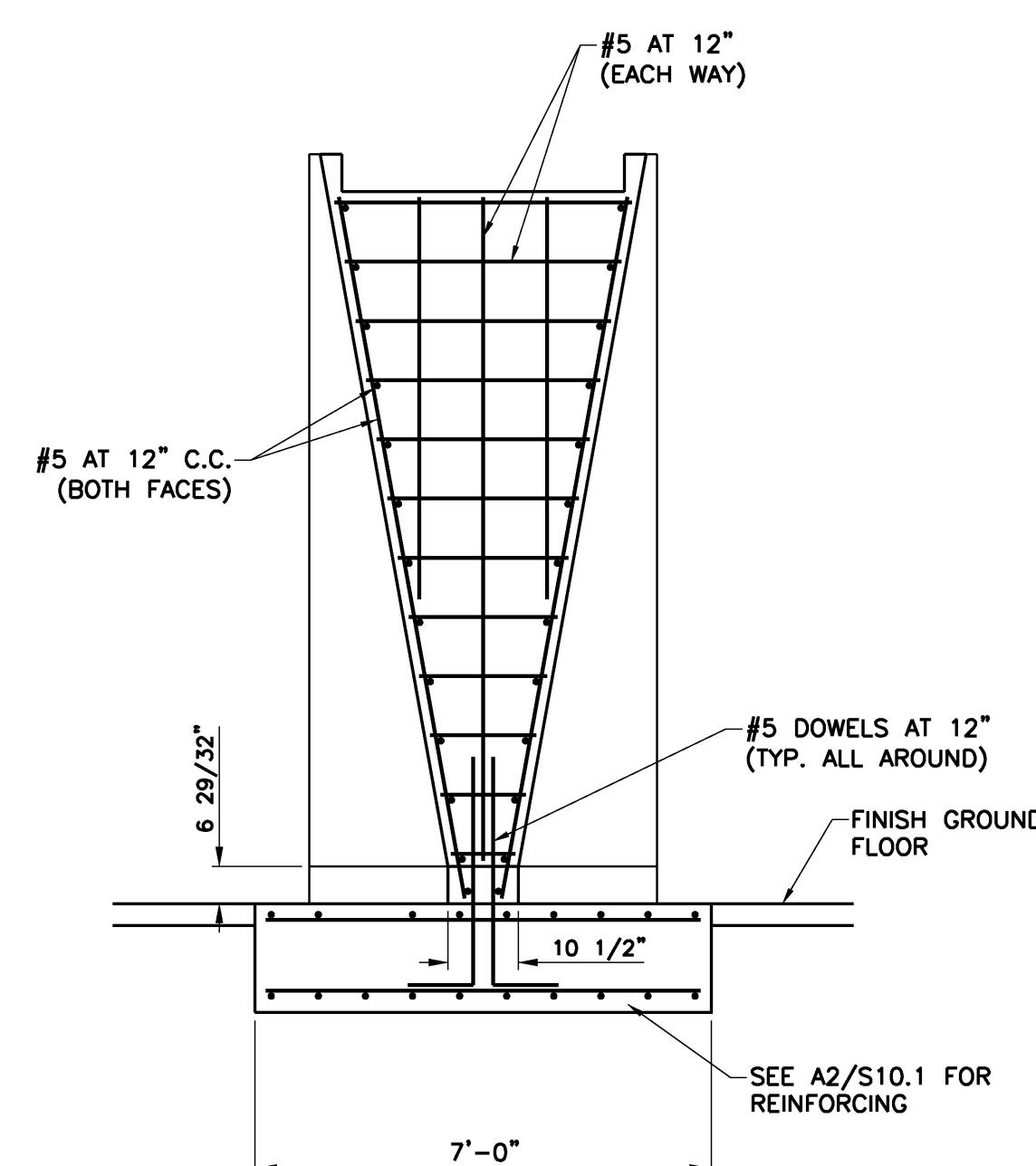
SECTION AT STAIR  
 3/8" = 1'-0" REF: A2/S10.1 **C2**



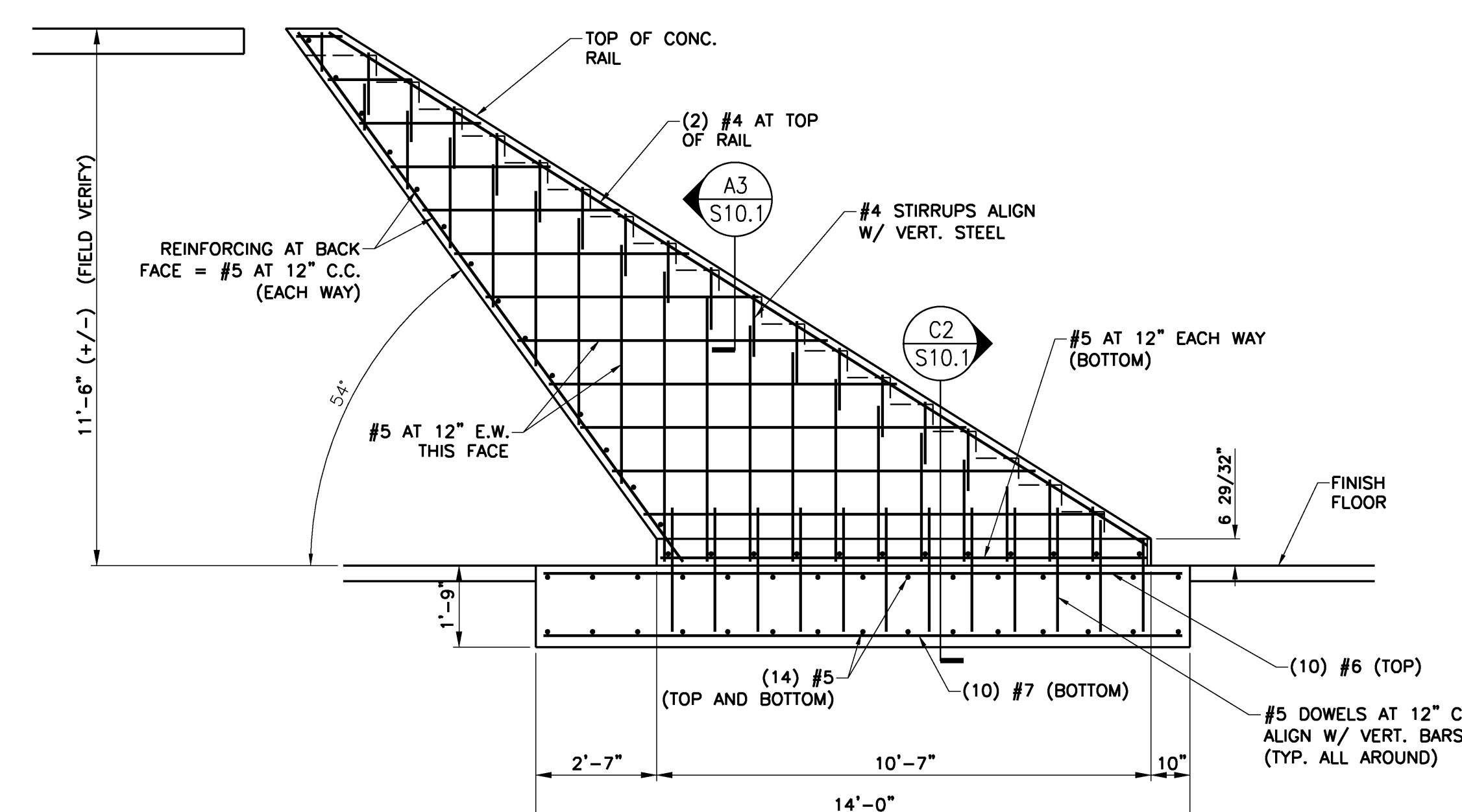
SECTION AT CONCRETE STAIR  
 3/8" = 1'-0" REF: A2/S10.1 **C1**



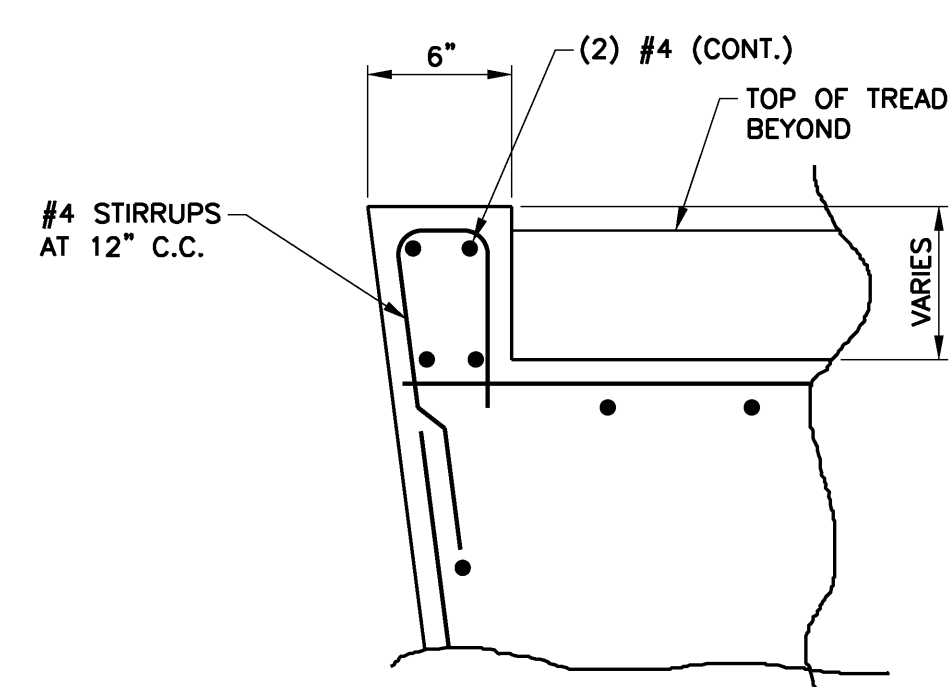
SECTION AT LANDING  
 1 1/2" = 1'-0" REF: C1/S10.1 **B3**



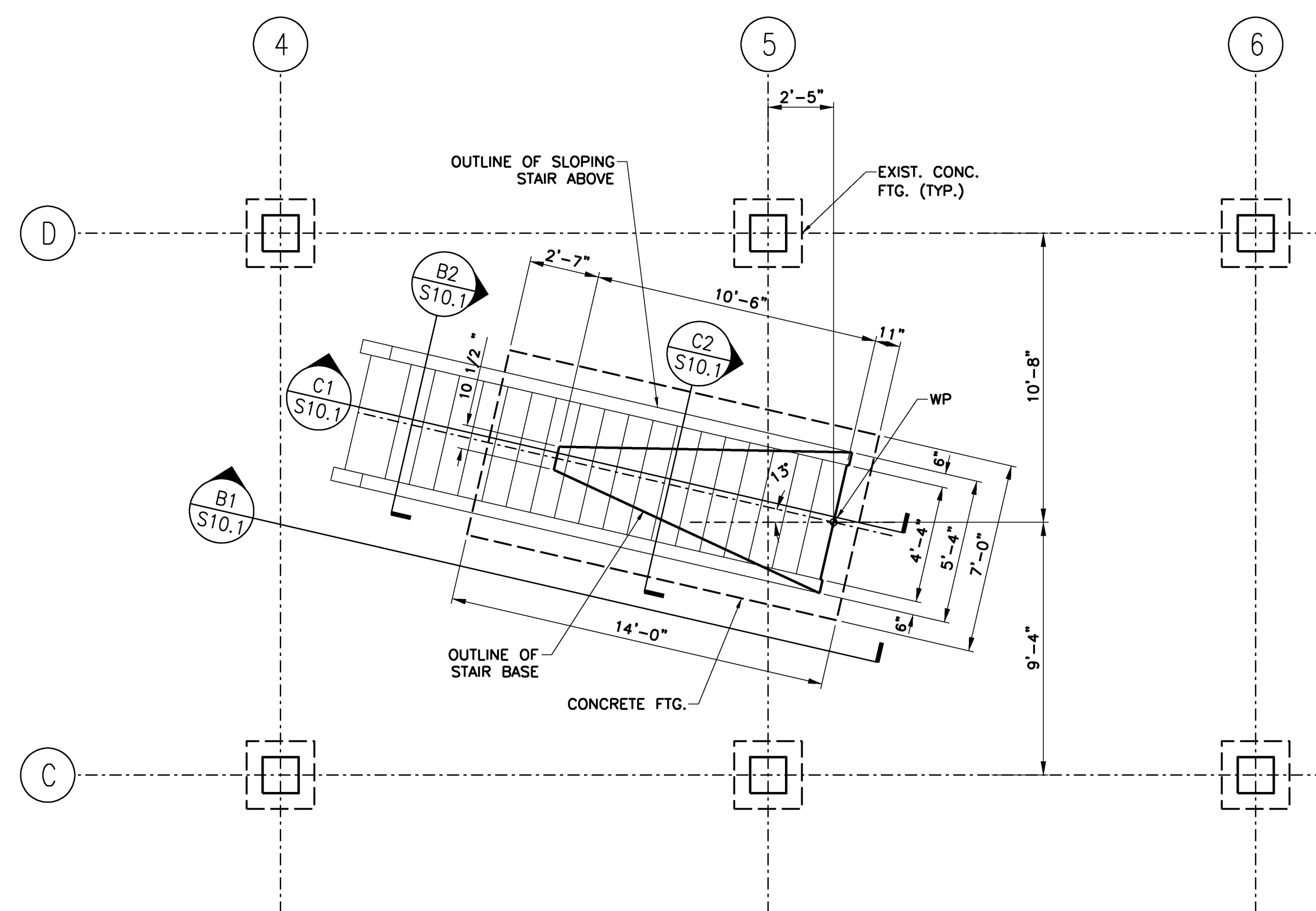
ELEVATION AT BACKWALL  
 3/8" = 1'-0" REF: A2/S10.1 **B2**



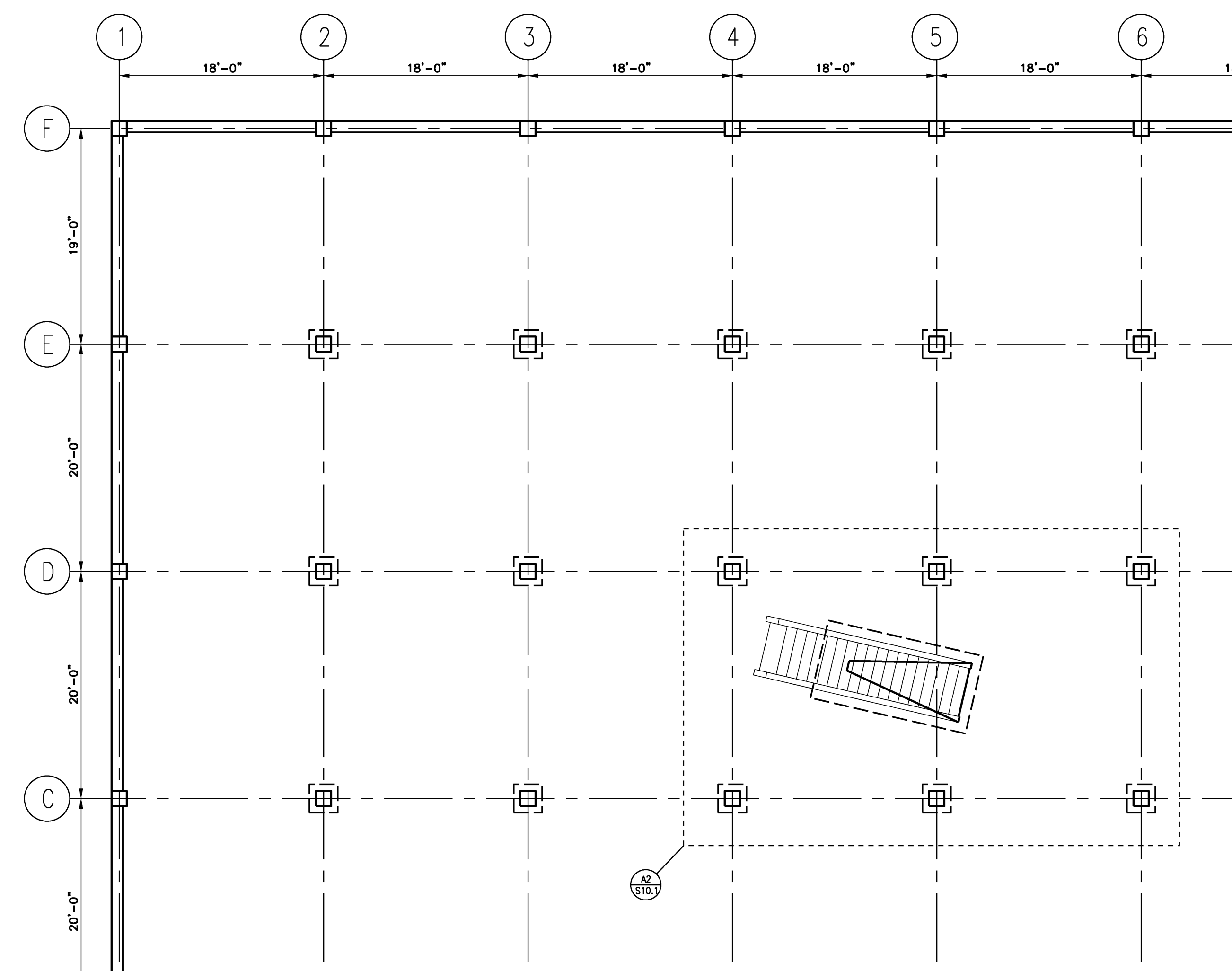
ELEVATION OF CONCRETE STAIR  
 3/8" = 1'-0" REF: A2/S10.1 **B1**



SECTION AT CONCRETE RAIL  
 1 1/2" = 1'-0" REF: B1/S10.1 **A3**



PLAN AT CONCRETE STAIR  
 1/4" = 1'-0" REF: A1/S10.1 **A2**



PARTIAL FOUNDATION PLAN  
 1/8" = 1'-0" REF: -- **A1**

| Mark       | Date                    | Description |
|------------|-------------------------|-------------|
| 02/12/2010 | ISSUED FOR CONSTRUCTION |             |
| 12/11/2009 | DESIGN DEVELOPMENT      |             |
| 10/23/2009 | SCHEMATIC DESIGN        |             |

Drawing Status  
**ISSUED FOR CONSTRUCTION**

Drawing Title  
 FOUNDATION PLAN

PA / PE: BKB Drawn By: MRM

Drawing Number

**S10.1**