







Project Title  
**110 FREE STREET BUILDING RENOVATIONS**  
 PORTLAND, MAINE

PA Project No. 09146  
 Key Plan

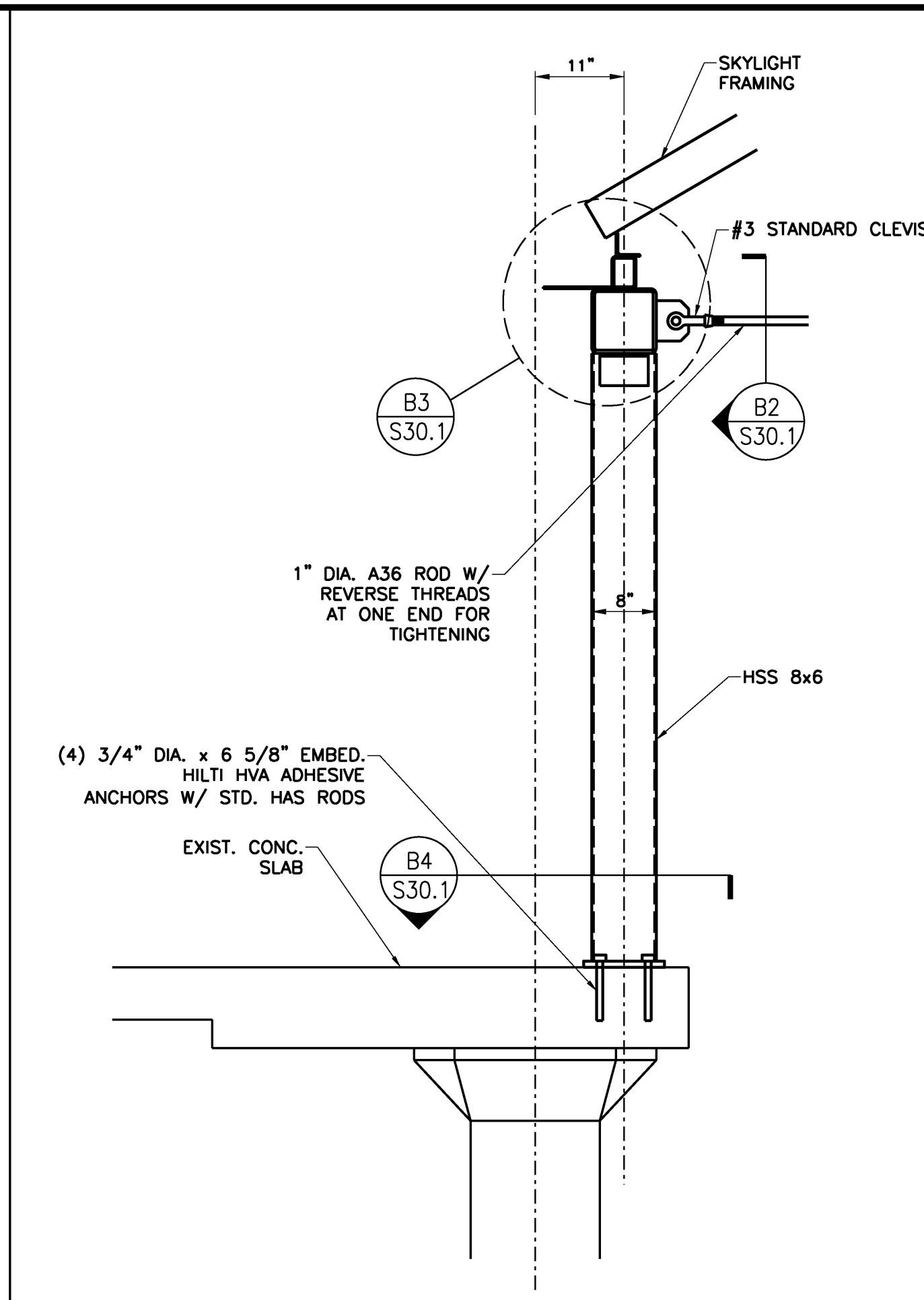
- GENERAL NOTES:
- TOP OF CONCRETE ELEVATIONS REFERENCED FROM FINISH GROUND FLOOR ELEVATION (+0'-0")
  - SLAB OPENINGS SHALL NOT BE SAWCUT UNTIL ALL CFRP REINFORCING HAS BEEN INSTALLED.
  - ALL STEEL TUBES SHALL CONFORM TO ASTM A500 GR. B (F<sub>y</sub> = 46 KSI)
- CFRP NOTES:
- CFRP (CARBON FIBER REINFORCED POLYMER) SHALL BE 47.2 MIL x 3.94" WIDE STRIPS AS MANUFACTURED BY SIKA CORPORATION (TYPE S1012)
  - DESIGN VALUE TENSILE STRENGTH = 4.06x10<sup>5</sup> PSI
  - CLEAN AND PREPARE CONCRETE SURFACE PER MANUFACTURER RECOMMENDATIONS
  - CFRP SHALL BE INSTALLED BY A LICENSED INSTALLER HAVING EXPERIENCE WITH THE PRODUCTS
  - INSTALL CFRP STRIPS IN ACCORDANCE WITH ALL MANUFACTURER RECOMMENDATIONS
  - PAINT WARNING LABEL AT EACH REINFORCING LOCATION AS SHOWN ON B3/S20.1

Mark	Date	Description

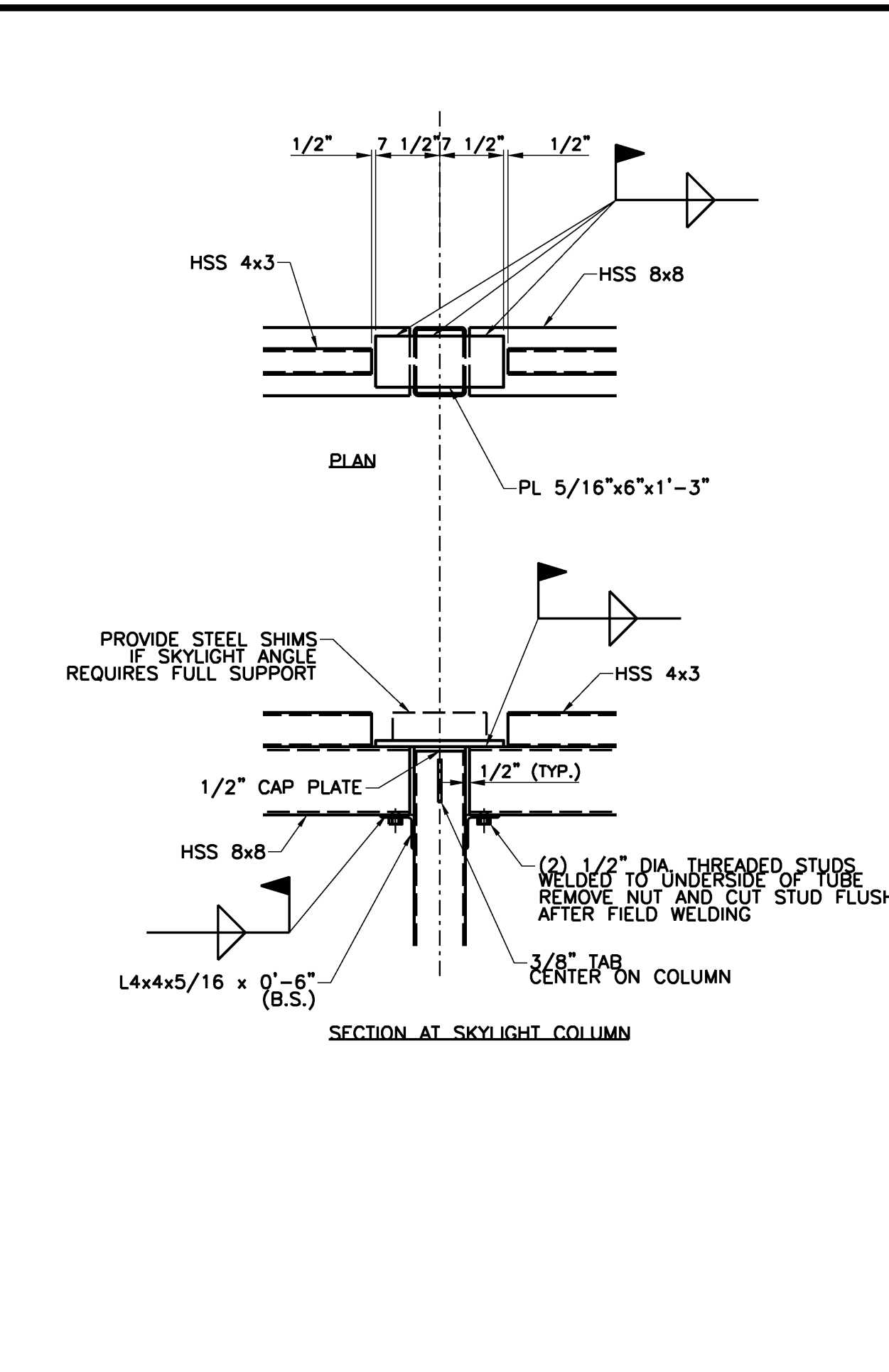
12/11/2009 ISSUED FOR BID  
**STRUCTURAL ISSUED FOR BID**

Drawing Title  
**ROOF FRAMING PLAN AND DETAILS**  
 PA / PE: BKB Drawn By: MRM  
 Drawing Number

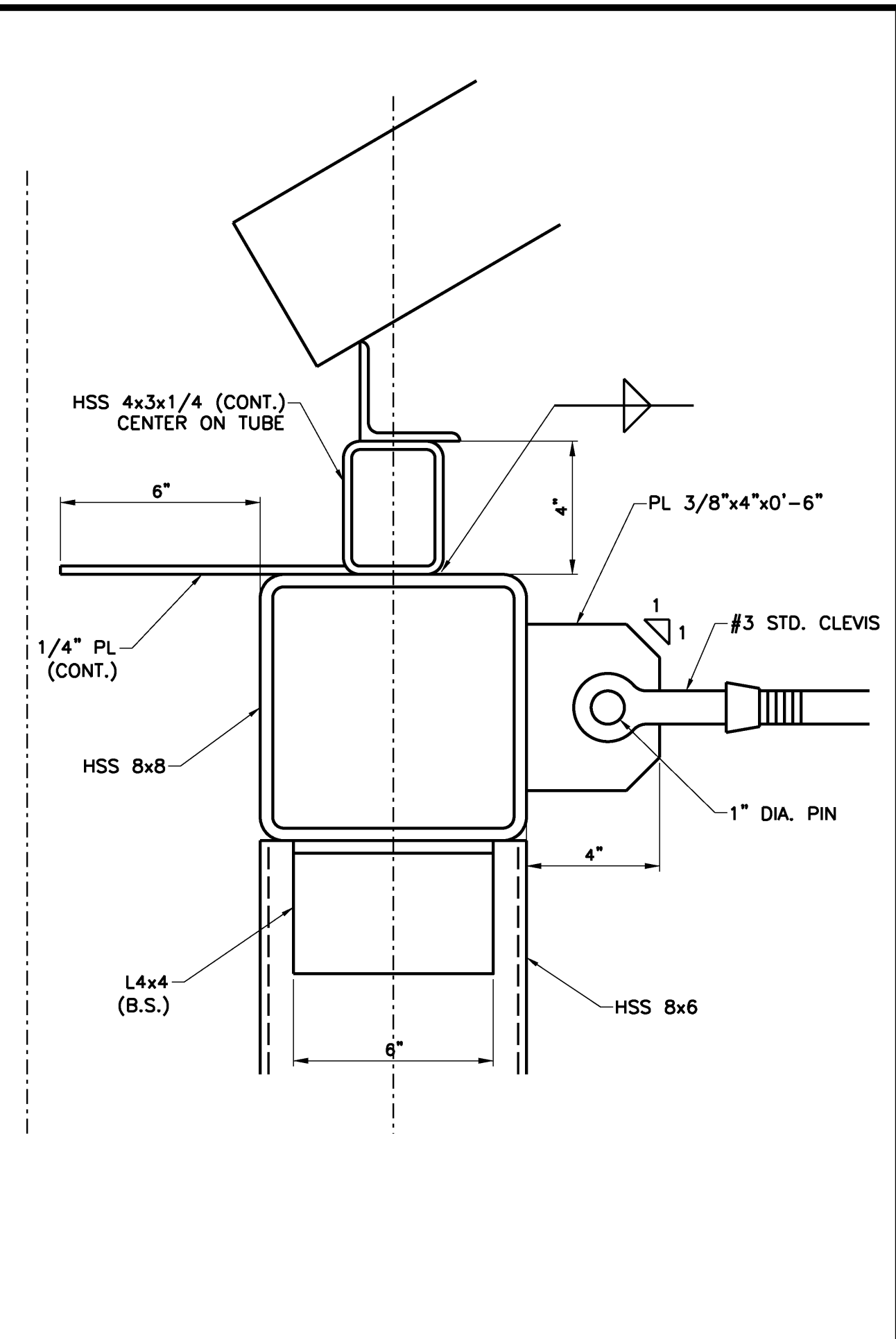
**S30.1**



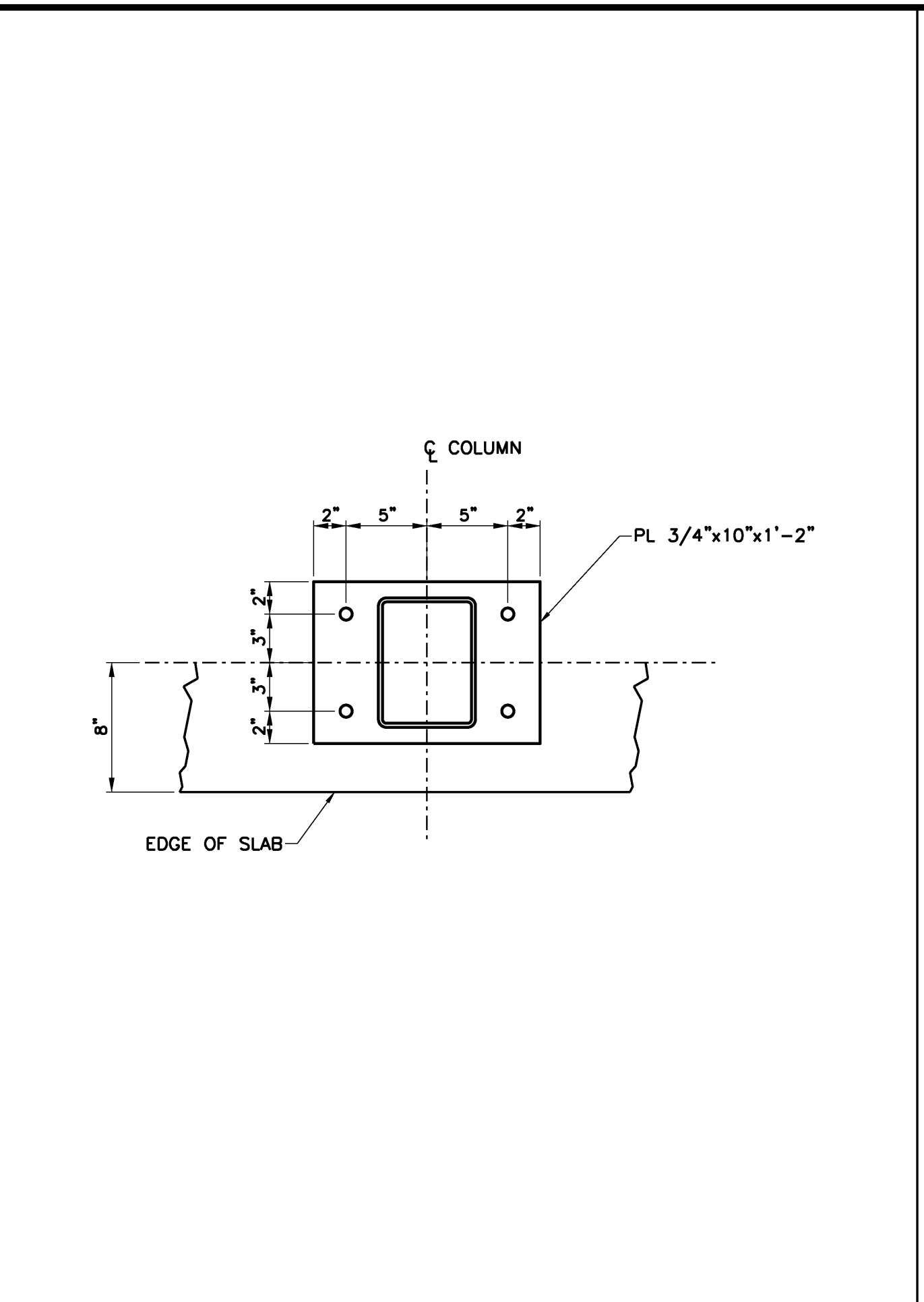
SECTION AT SKYLIGHT REF: - B1  
 3/4" = 1'-0" 0 6" 1' 2'



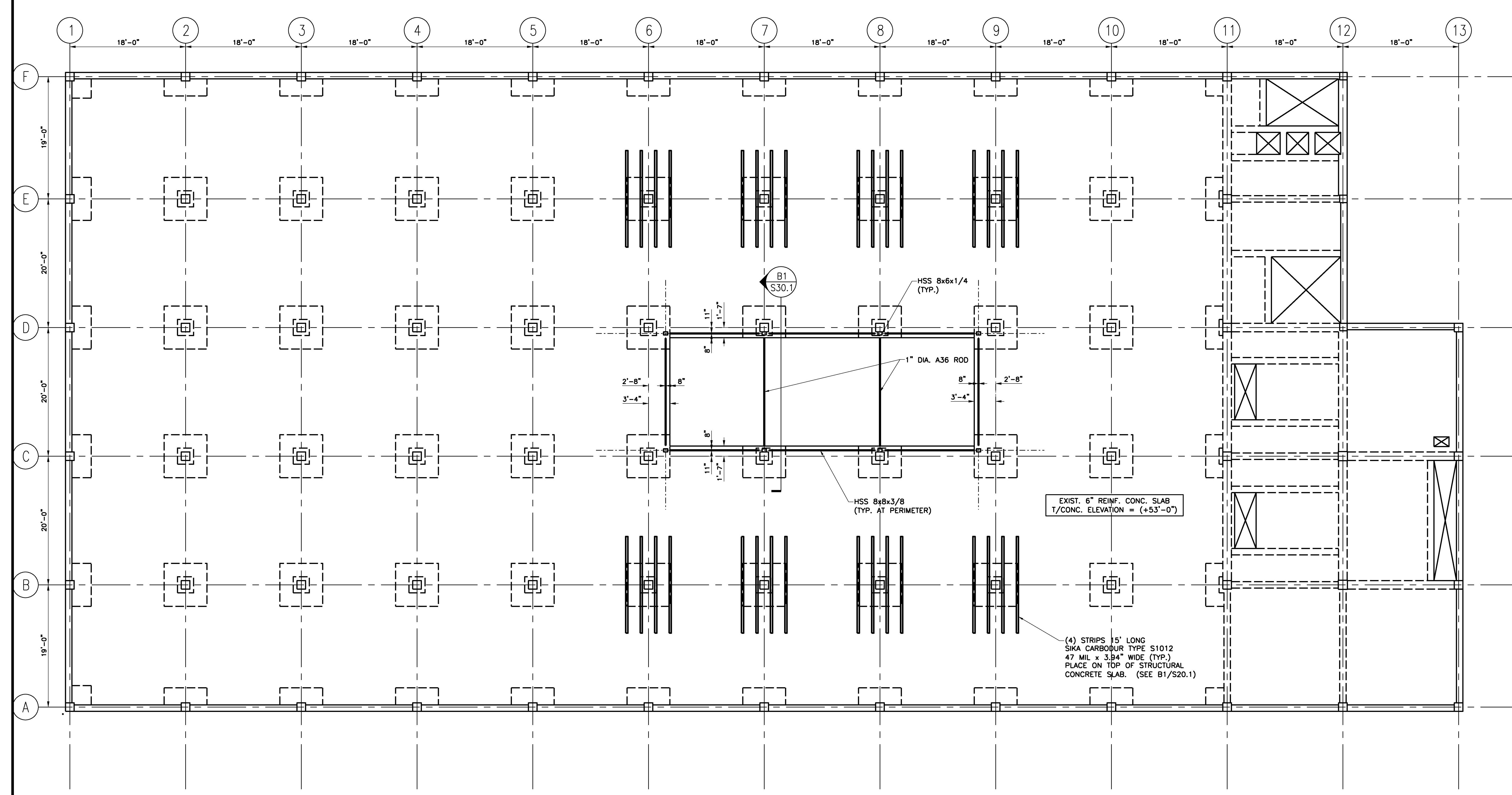
DETAILS AT SKYLIGHT COLUMN REF: - B2  
 3/4" = 1'-0" 0 6" 1' 2'



SECTION AT TOP TUBE REF: - B3  
 3" = 1'-0" 0 2" 4" 6"



PLAN AT COLUMN BASE REF: - B4  
 1 1/2" = 1'-0" 0 4" 8" 1'



ROOF FRAMING PLAN REF: - A1  
 1/8" = 1'-0" 0 4" 8" 12'