

# MR-16 Halogen

<b>PROJECT:</b>	
<b>TYPE:</b>	
<b>CATALOG NUMBER:</b>	
<b>LAMP(S):</b>	
<b>NOTES:</b>	

## CATALOG NUMBER LOGIC



### Example

- NS - MR - 9 - BLW - 12 - 11 - 360SL

### Material

- Blank** - Aluminum
- B** - Brass

### Series

- NS** - Nite Star™

### Source

- MR** - MR16

### Lamp

- |                                   |                                    |                                   |
|-----------------------------------|------------------------------------|-----------------------------------|
| <b>0</b> - By Others              | <b>5</b> - FMW(35W), 40° Flood     | <b>7</b> - EXZ(50W), 26° N. Flood |
| <b>1</b> - ESX(20W), 12° Spot     | <b>15</b> - EYR(42W), 12° Spot     | <b>8</b> - EXN(50W), 40° Flood    |
| <b>2</b> - BAB(20W), 40° Flood    | <b>16</b> - EYS(42W), 25° N. Flood | <b>9</b> - FNV(50W), 60° W. Flood |
| <b>3</b> - FRB(35W), 12° Spot     | <b>17</b> - EYP(42W), 40° Flood    |                                   |
| <b>4</b> - FRA(35W), 23° N. Flood | <b>6</b> - EXT(50W), 13° Spot      |                                   |

### Finish

#### Aluminum & Brass Finish

Powder Coat Color	Satin	Wrinkle
Bronze	<b>BZP</b>	<b>BZW</b>
Black	<b>BLP</b>	<b>BLW</b>
White (Gloss)	<b>WHP</b>	<b>WHW</b>
Aluminum	<b>SAP</b>	—
Verde	—	<b>VER</b>

#### Brass

Machined	<b>MAC</b>
Polished	<b>POL</b>
Mitique™	<b>MIT</b>

*Also available in Premium Finishes  
See submittal SUB-1439-00 for Premium Finishes*

### Lens Type

- 9** - Clear (Standard)
- 10** - Spread\*
- 12** - Soft Focus\*
- 13** - Rectilinear\*

### Shielding

- 11** - Honeycomb Baffle\*

### Options

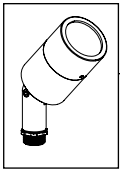
- 360SL** - 360SL™ Knuckle Mounting System

\* Accommodates up to 2 Lens/Shielding media

## LAMP DATA

BK No.	Lamp Watts	Description	Rated Life (hrs.)	Center Beam Candlepower	Beam Angle	Beam Type
1	20	ESX	4,000	4,000	12°	Spot
2	20	BAB	4,000	500	40°	Flood
3	35	FRB	5,000	7,600	12°	Spot
4	35	FRA	5,000	2,300	23°	Narrow Flood
5	35	FMW	5,000	1,100	40°	Flood
15	42	EYR	5,000	7,500	12°	Spot
16	42	EYS	5,000	2,600	25°	Narrow Flood
17	42	EYP	5,000	1,100	40°	Flood
6	50	EXT	5,000	9,800	13°	Spot
7	50	EXZ	5,000	3,200	26°	Narrow Flood
8	50	EXN	5,000	1,600	40°	Flood
9	50	FNV	5,000	700	60°	Wide Flood

<b>B-K LIGHTING</b>	40429 Brickyard Drive • Madera, CA 93636 • USA 559.438.5800 • FAX 559.438.5900 www.bklighting.com • info@bklighting.com	SUBMITTAL DATE 03-19-08	DRAWING NUMBER SUB-1017-00
	<p>THIS DOCUMENT CONTAINS PROPRIETARY INFORMATION OF B-K LIGHTING, INC. AND ITS RECEIPT OR POSSESSION DOES NOT CONVEY ANY RIGHTS TO REPRODUCE, DISCLOSE ITS CONTENTS, OR TO MANUFACTURE, USE OR SELL ANYTHING IT MAY DESCRIBE. REPRODUCTION, DISCLOSURE OR USE WITHOUT SPECIFIC WRITTEN AUTHORIZATION OF B-K LIGHTING, INC. IS STRICTLY FORBIDDEN.</p>		

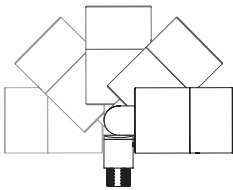
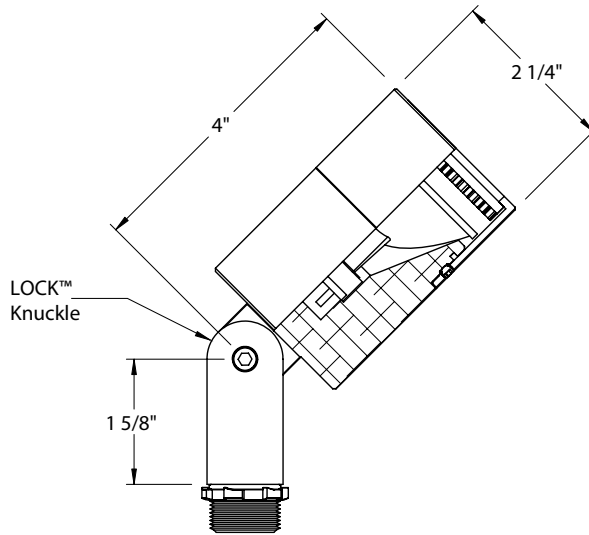


MR-16 Halogen

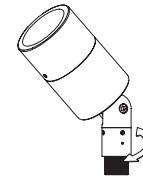
NITE STAR™

PROJECT:	
TYPE:	

SIDE VIEW



180° Vertical adjustment (Standard)



Horizontal Rotation (Optional 360SL™ Knuckle)

SPECIFICATIONS

**Body**  
Fully machined from solid, copper-free aluminum. Also available in solid machined brass. Unibody design provides enclosed, water-proof wireway and heat sink to maximize lamp life. Integral knuckle for maximum mechanical strength. High temperature, silicone 'O' Ring provides water-tight seal.

**Knuckle**  
The LOCK™ (Locking 'O' Ring Compression Knuckle) is comprised of two components. The first is integral to the body and features an interior, machined taper. The second is machined from solid billet and features a second, reverse angle taper. The resultant mechanical taper-lock allows a full 180° vertical adjustment without the use of serrated teeth, which inherently limit aiming. High temperature, silicone 'O' Ring provides water-tight seal and compressive resistance to maintain fixture position. Design withstands 73 lb. static load prior to movement to ensure decades of optical alignment. 1/2" pipe thread for mounting.

Optional 360SL™ Knuckle Mounting System additionally provides biaxial source control with 360° horizontal rotation in addition to vertical adjustment.

**Cap**  
Machined from copper-free aluminum. Also available in machined brass. Flush mounted lens. Accommodates up to (2) lens or louver media.

**Lens**  
Shock resistant, tempered, clear glass lens is factory adhered to fixture cap and provides hermetically sealed optical compartment.

**Lamp**  
For use with 50 watt maximum, MR-16 lamp.\*  
*\*Except GE Light Q42MR16/C/VNSP9 (EZY).*

**Transformer**  
For use with 12 VAC remote transformer.

**Socket**  
Specification grade, ceramic body lamp holder. GU5.3 base. Nickel allow contacts and heat resistant, spring loaded, stainless steel lamp retaining clips.

**Wiring**  
Teflon® coated wire, 18AWG, 600V, 250° C rated and certified to UL 1659 standard. Leads extend 6" beyond knuckle.

**Hardware**  
Tamper-resistant, stainless steel hardware. LOCK™ vertical aiming screw is additionally black oxidized.

**Finish**  
StarGuard® (Pat. Pend.), a 15 stage chromate-free process cleans and conversion coats aluminum components prior to application of Class 'A' TGIC polyester powder coating. Brass components are available in powder coat or handcrafted metal finish.

**Warranty**  
5 year limited warranty.

**Listings**  
ARL and CSA listed to UL 1838 standard. Suitable for indoor or outdoor use. Suitable for use in wet locations.



\*Teflon is a registered trademark of DuPont Corporation.

CATALOG NUMBER LOGIC

EXAMPLE: TS - MB-2 - BLP - 36"

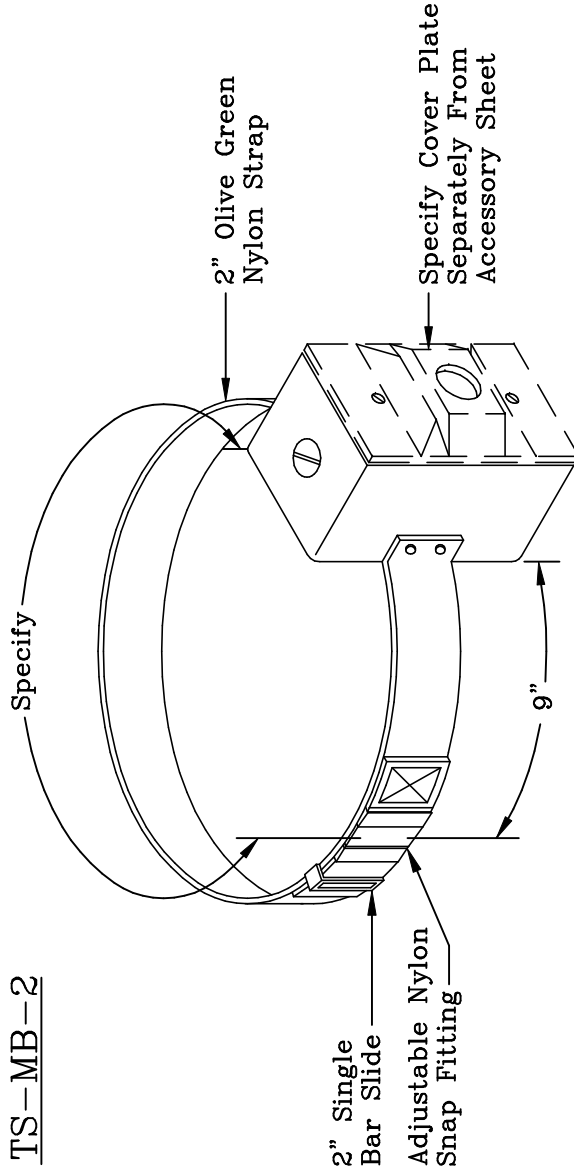
Series: ●  
 Style: ●  
 MB-2  
 TMC  
 Finish: ●

Powdercoat	Satin	Wrinkle
Bronze	BZP	BZW
Black	BLP	BLW
White (Gloss)	WHP	WHW
Aluminum	SAP	---
Verde	---	VER

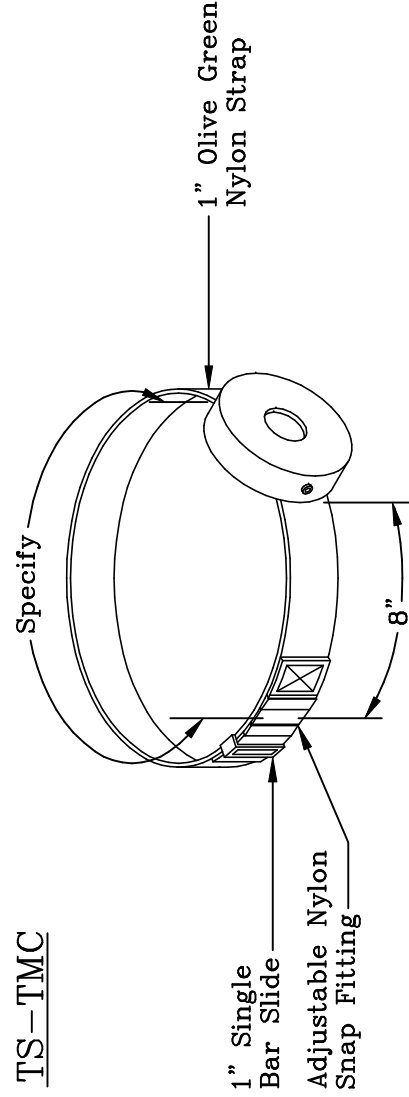
Adjustable Strap Length: \_\_\_\_\_

3" Minimumum

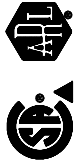
TS-MB-2



TS-TMC



For Remote Transformers  
 See Sheets TRSS Series, TR Series,  
 Power Pipe, Power Pipe II or Power  
 Canopy in Accessory Section.



TREE STRAP™ SERIES

4/00

**B-K LIGHTING, INC.**

DRAWING NUMBER  
 SUB-1039-02