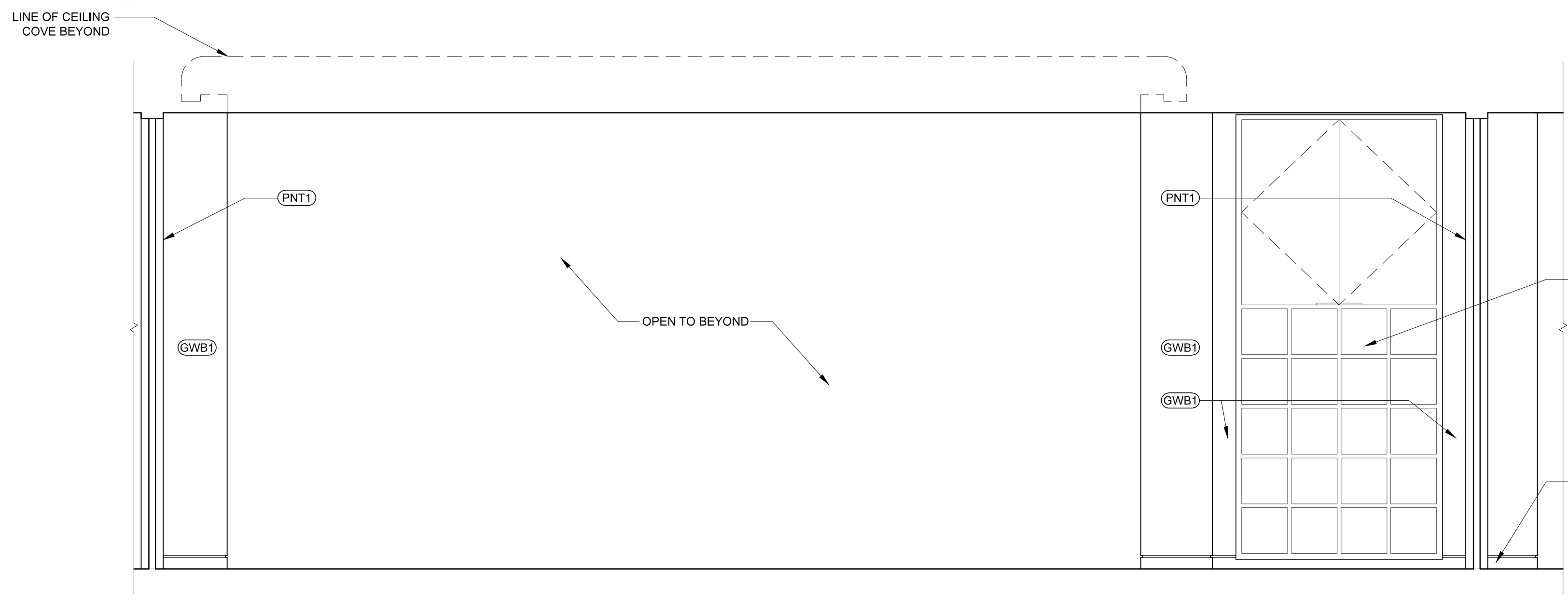
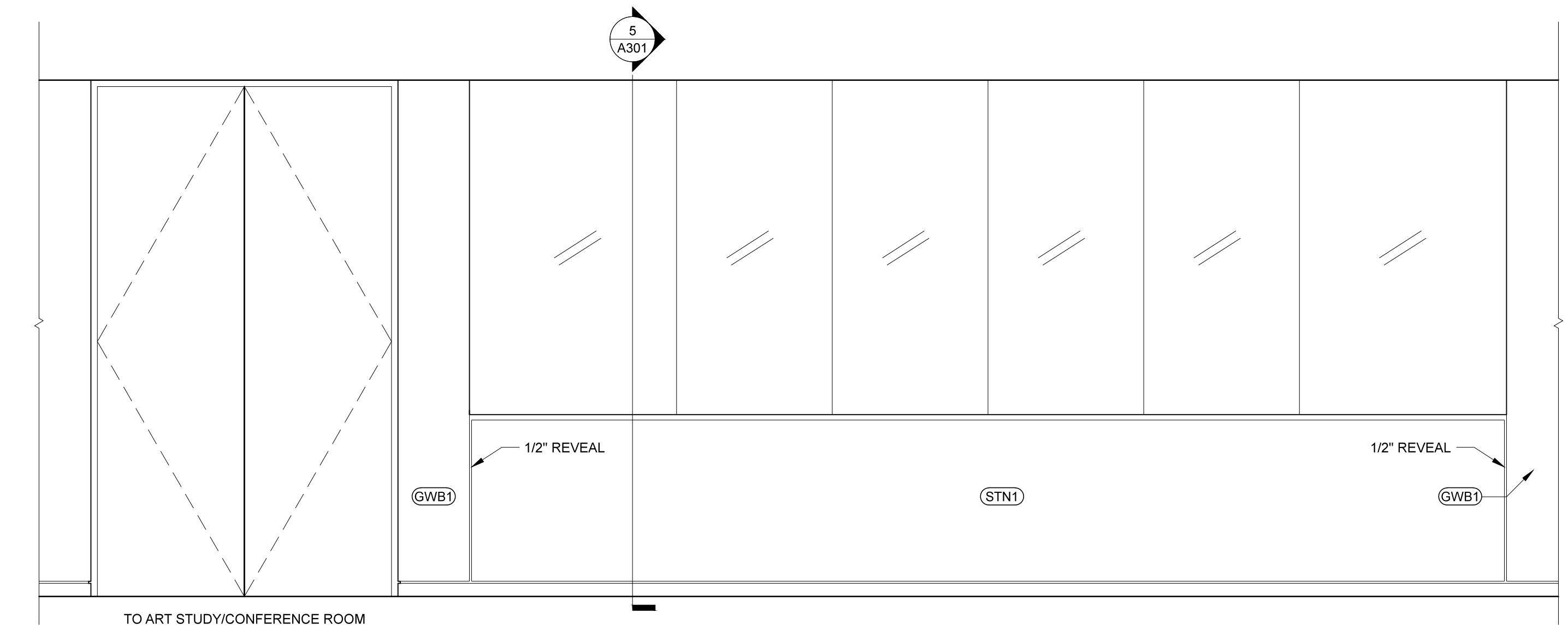


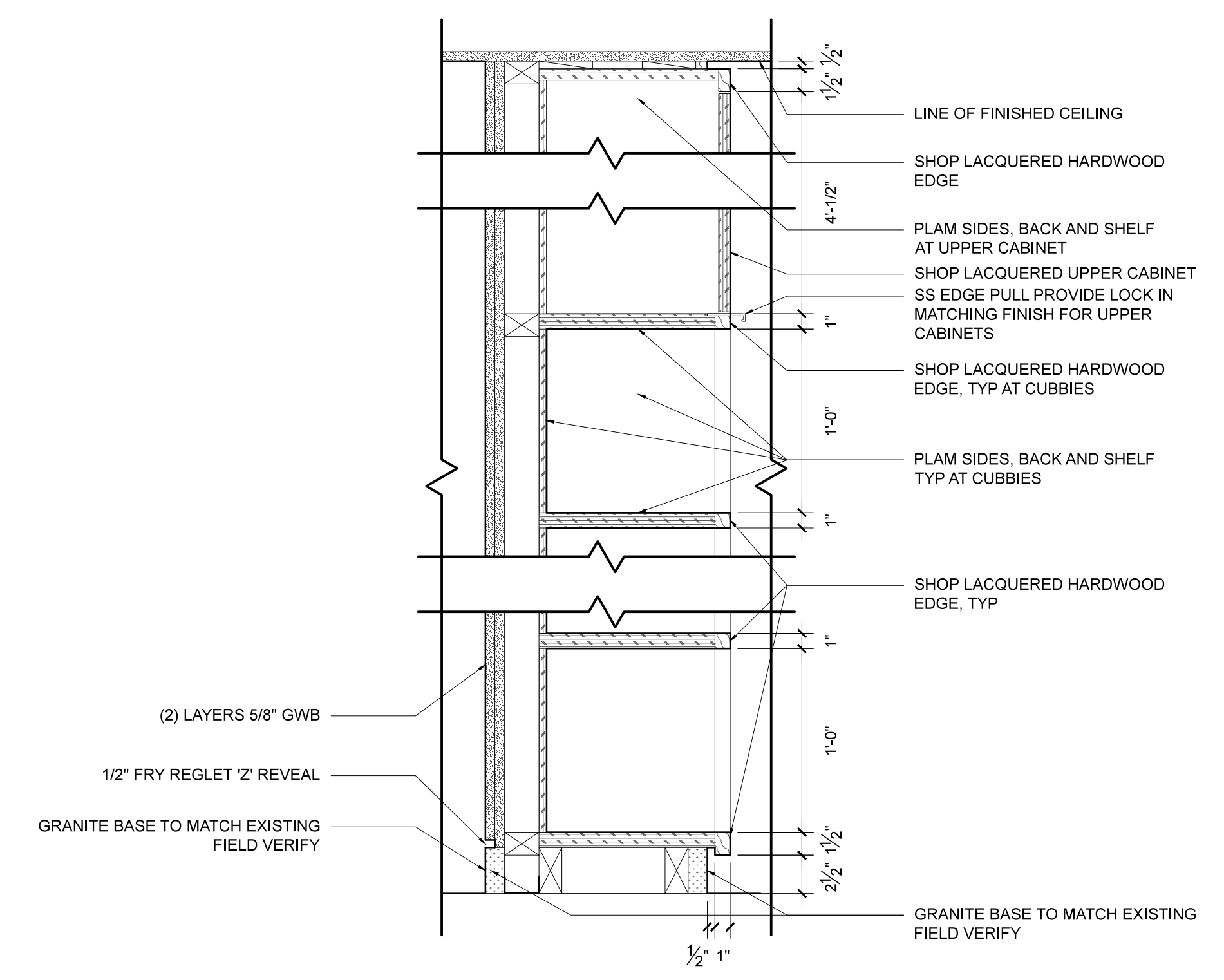
1 North Elevation
 SCALE: 1/2" = 1'-0"



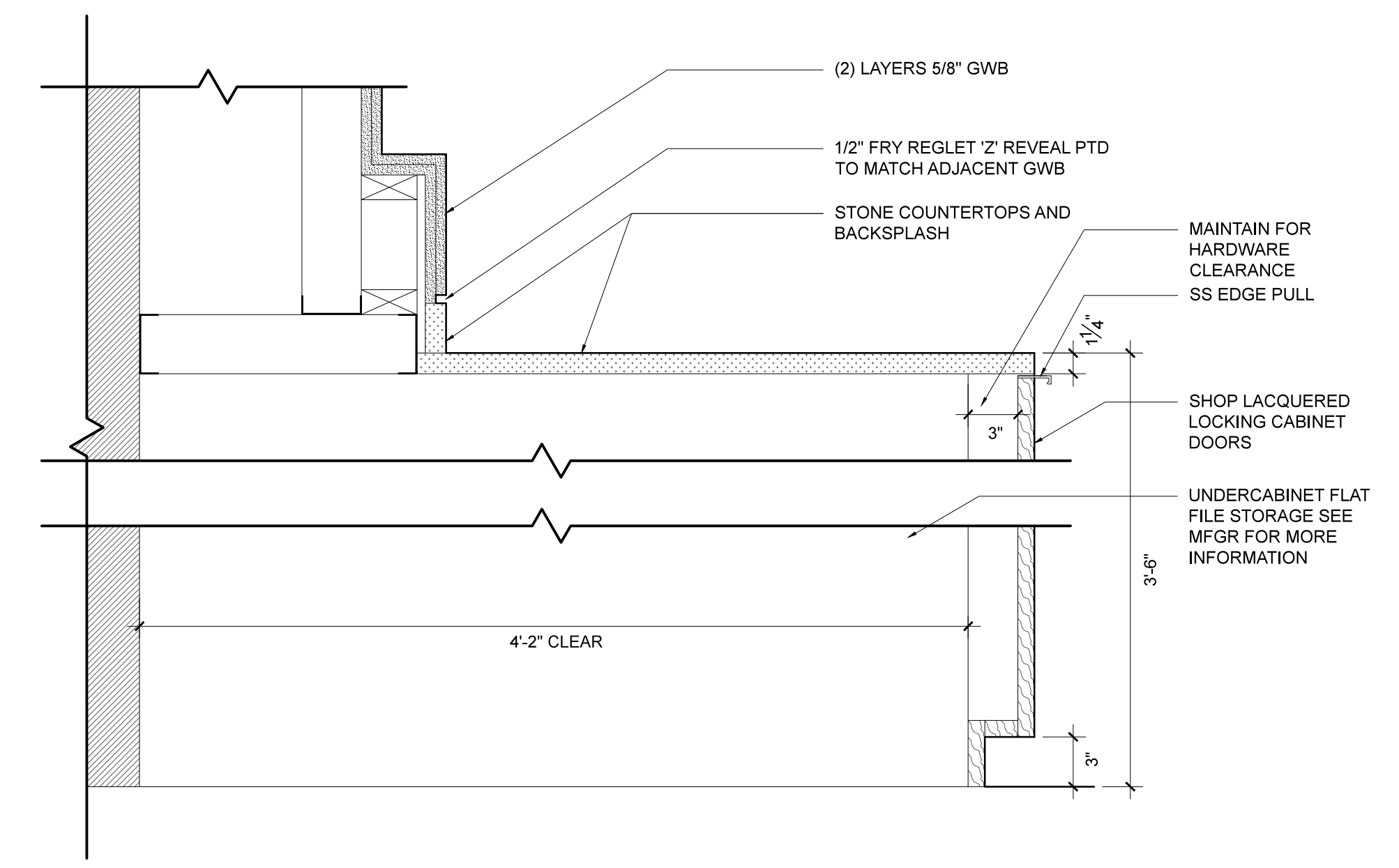
2 West Elevation
 SCALE: 1/2" = 1'-0"



3 Detail
 SCALE: 1/2" = 1'-0"



4 Storage Cubby Section Detail
 SCALE: 1 1/2" = 1'-0"



5 Flat File Storage Counter Section Detail
 SCALE: 1 1/2" = 1'-0"