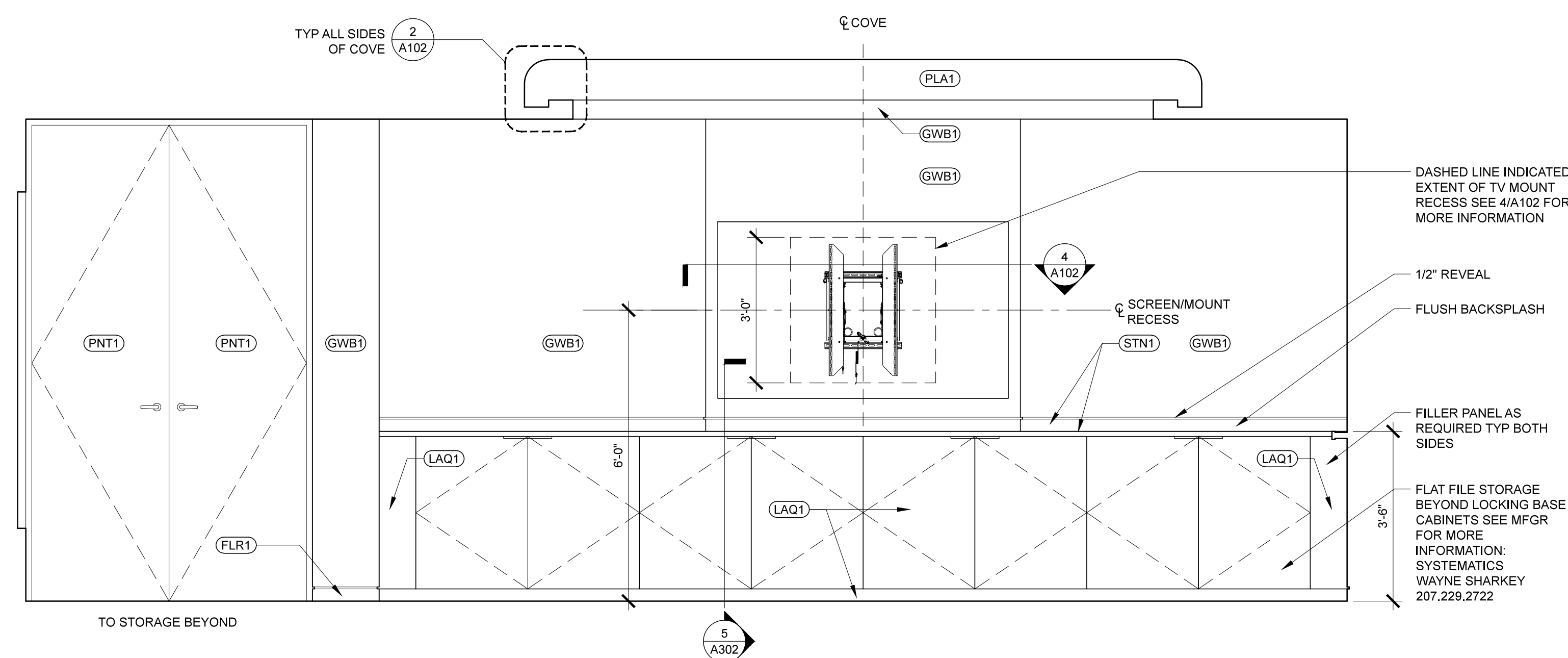
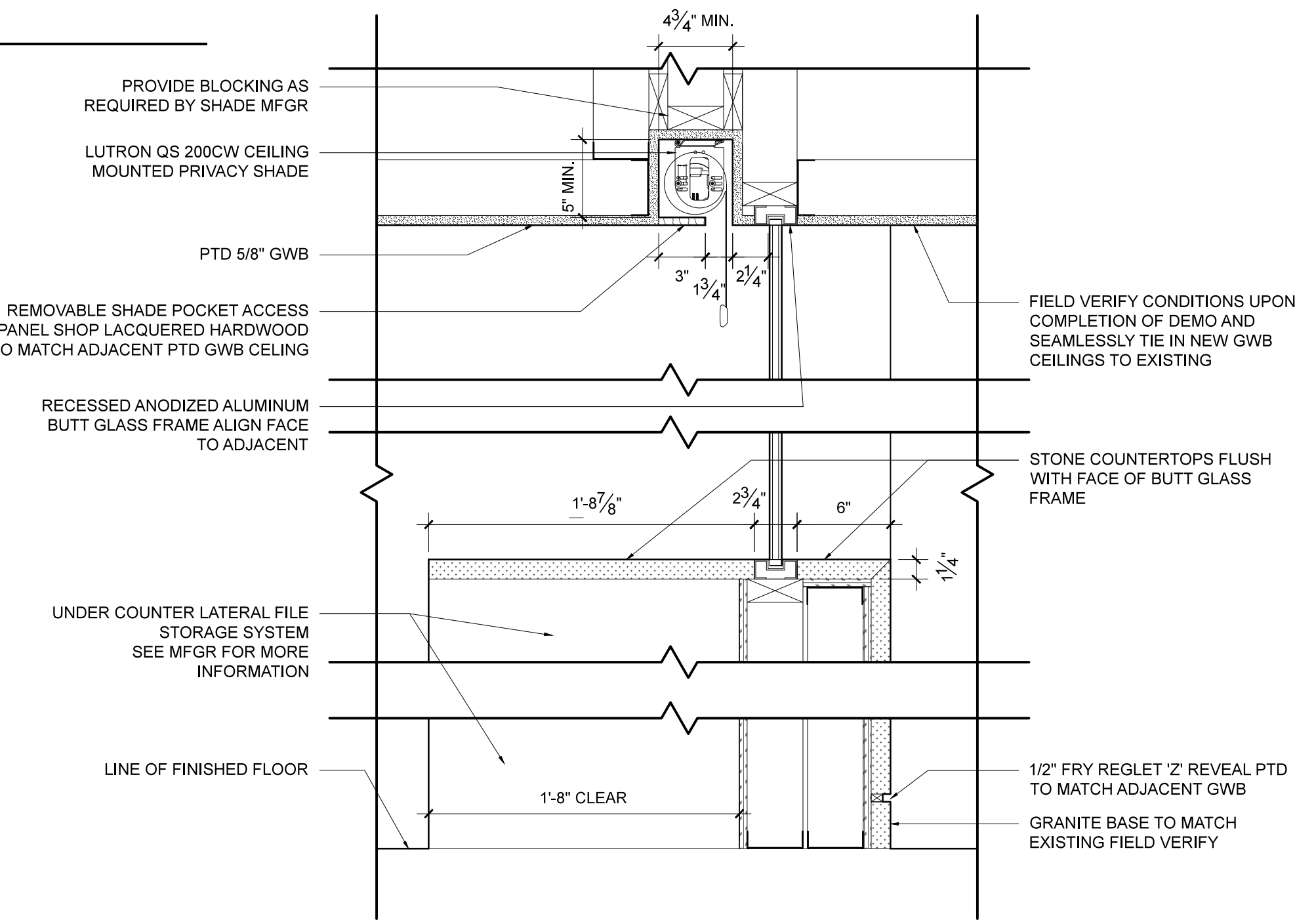


4 Picture Display Rail Section Detail
SCALE: 3" = 1'-0"

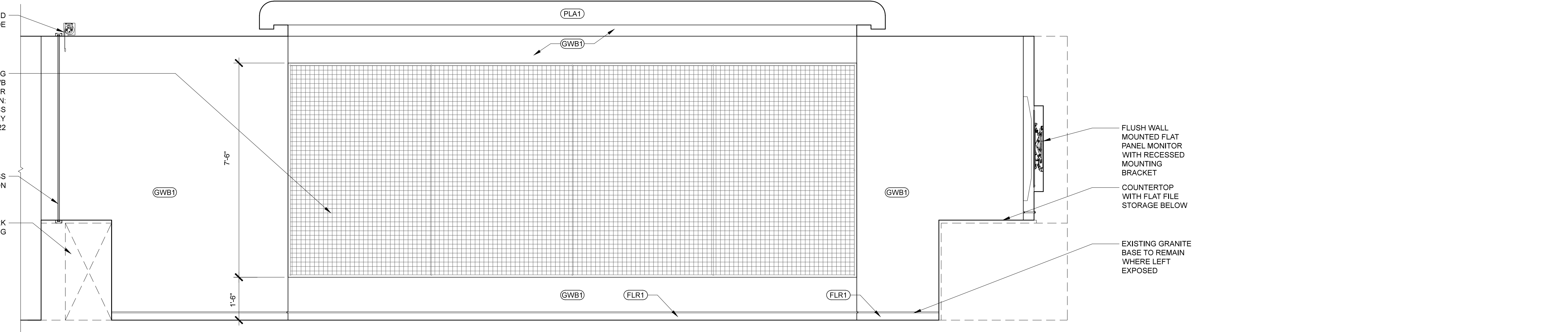
1 West Elevation
SCALE: 1/2" = 1'-0"



2 South Elevation
SCALE: 1/2" = 1'-0"



5 Section Detail
SCALE: 1 1/2" = 1'-0"



3 East Elevation
SCALE: 1/2" = 1'-0"

PROJECT NAME:



ART STUDY AND COLLECTIONS COMMITTEE
MEETING ROOM
SEVEN CONGRESS SQUARE
PORTLAND, MAINE 04101

SEAL:

THIS DRAWING IS THE PROPERTY OF SCOTT SIMONS ARCHITECTS (SSA) AND IS NOT TO BE COPIED OR REPRODUCED IN PART OR WHOLE. 2014 © SCOTT SIMONS ARCHITECTS, LLC

REVISION:

DATE OF ISSUE: NOVEMBER 4, 2014
PROJECT NUMBER: 2014-0100 PMA ASR
STATUS: ISSUED FOR PRICING NOT FOR CONSTRUCTION

ELEVATIONS + DETAILS

A301