

1 Demolition Plan
SCALE: 1/4" = 1'-0"

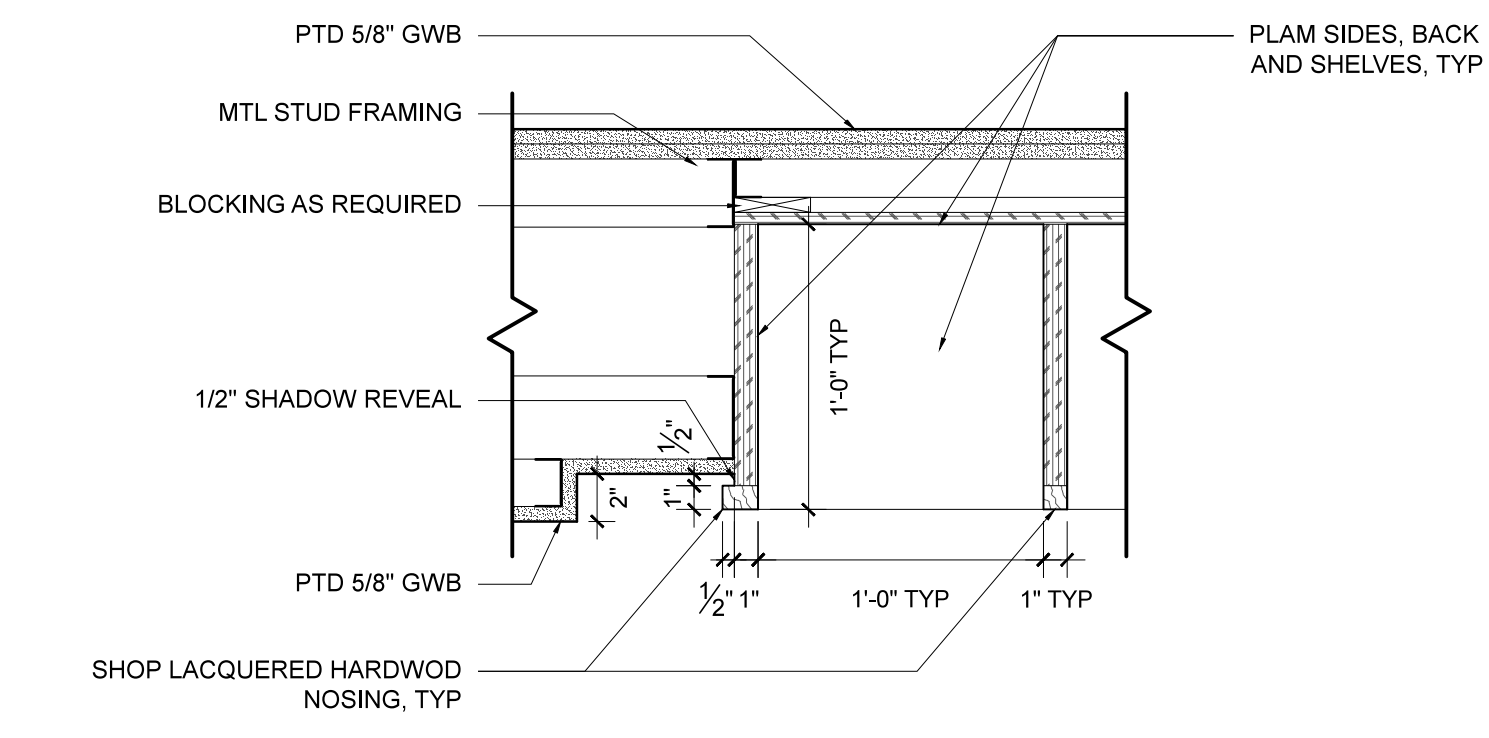
GENERAL DEMOLITION NOTES:

1. SHADED WALLS ARE EXISTING TO REMAIN
2. DISPOSE OF ALL DEMOLISHED ITEMS
3. ISOLATE AREA OF DEMOLITION TO ELIMINATE ALL DUST AND DISRUPTION OF ADJACENT STORAGE SPACES AND GALLERY SPACE.
4. REMOVE ALL TEL/DATA AND POWER RECEPTACLES REFER TO POWER PLAN FOR NEW REQUIREMENTS
5. ALL CONTRACTORS/SUBCONTRACTORS SHALL CHECK IN WITH SECURITY UPON ENTERING BUILDING AND SHALL ONLY ENTER AND EXIST ON DESIGNATED PATH ASSIGNED BY MUSEUM MANAGEMENT
6. ALL EXISTING GRANITE BASE AND FLOORING TO REMAIN U.N.O.

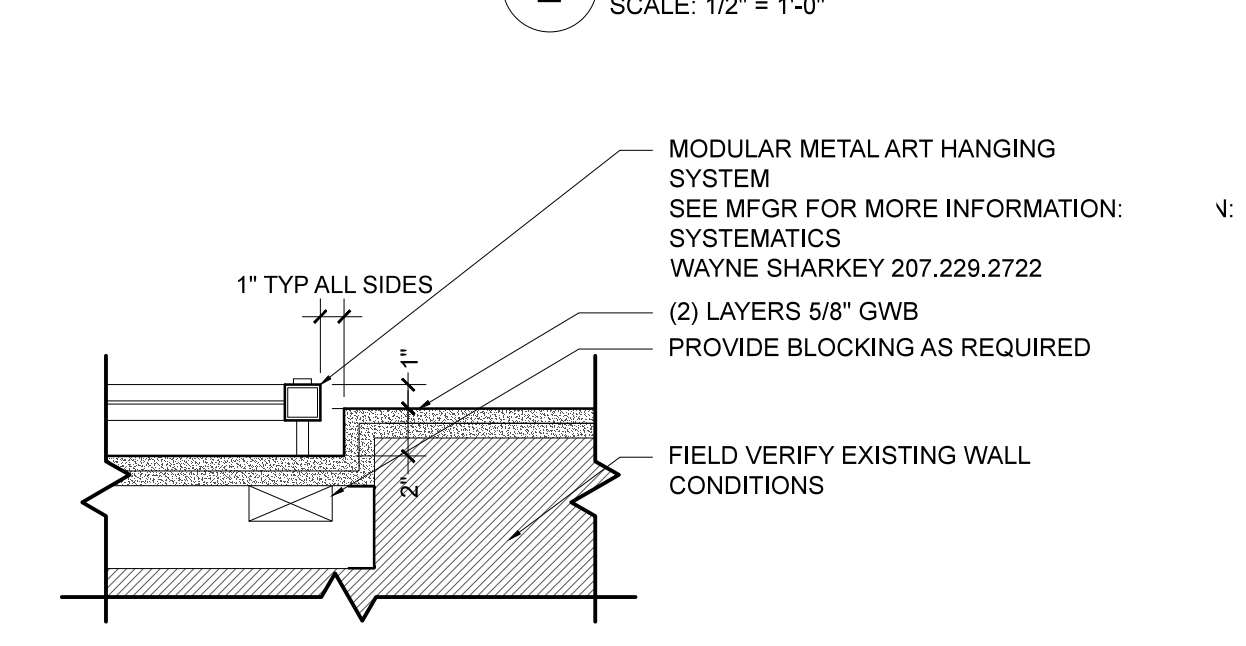
DEMOLITION KEY NOTES:

- 1 REMOVE EXISTING GWB WALL AND FRAMING
- 2 REMOVE EXISTING DOOR AND FRAME, SAVE FOR REUSE IN CONSTRUCTION
- 3 REMOVE OUTSIDE WALL SURFACE TO EXTENT INDICATED ADJACENT PLUMBING TO REMAIN OPERATIONAL AND UNDISTURBED
- 4 REMOVE EXISTING FS200 SYSTEM PIPING, REMOVE STORAGE TANK AND RELATED EQUIPMENT AND SAVE FOR REUSE IN CONSTRUCTION
- 5 REMOVE EXISTING CEILING AND LIGHTING FIXTURES IN THEIR ENTIRETY
- 6 REMOVE ALL FLOORING MATERIAL THAT IS NOT ORIGINAL STONE TO FLOOR SLAB

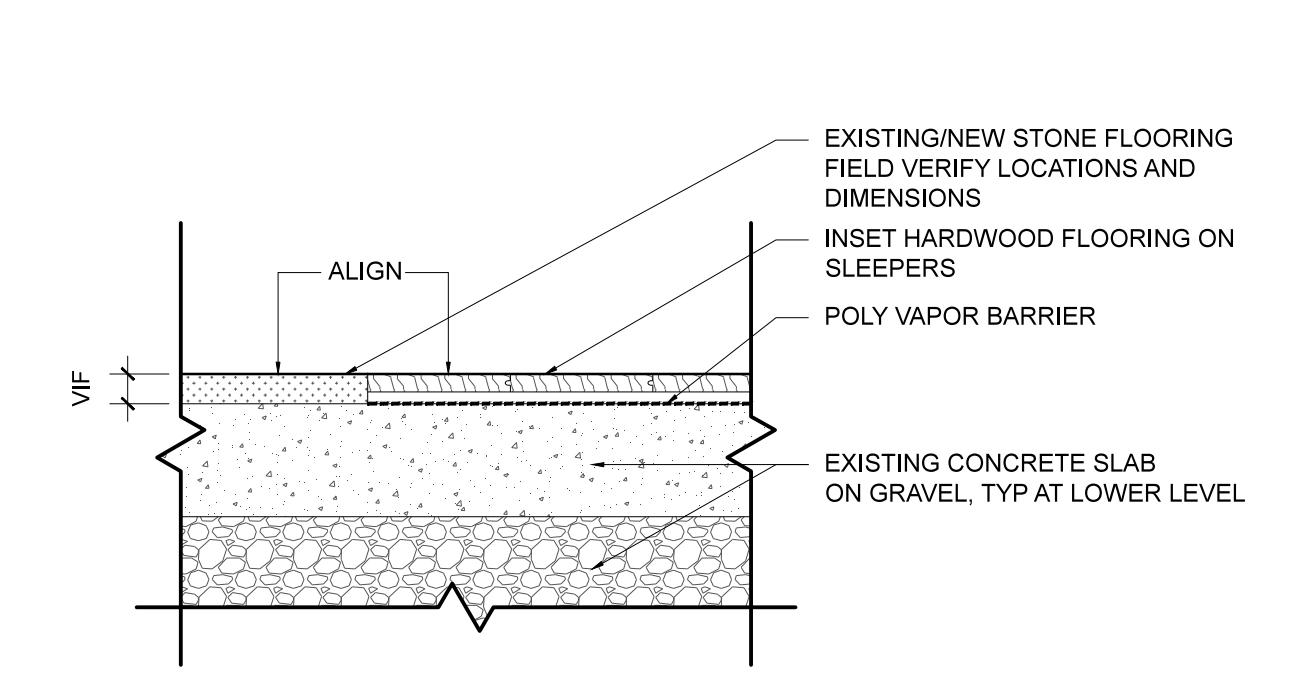
2 New Construction Plan
SCALE: 1/2" = 1'-0"



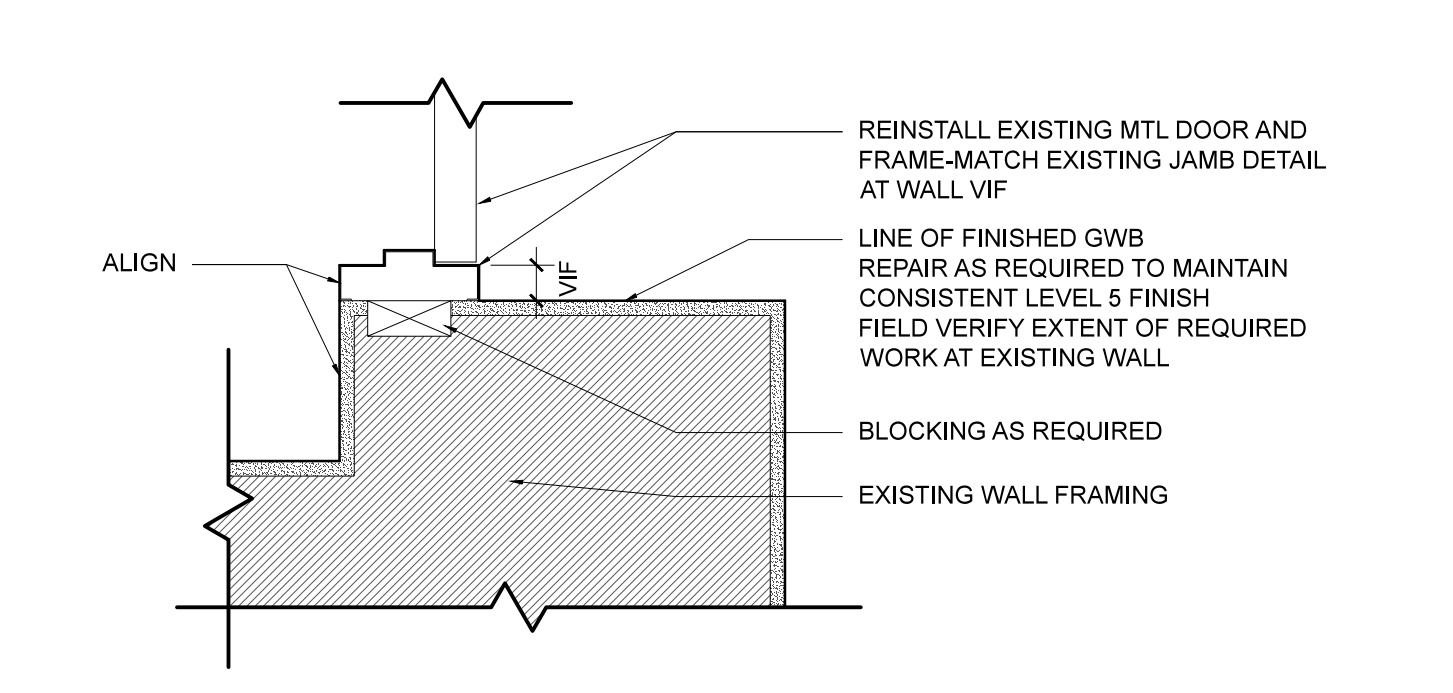
3 Plan Detail
SCALE: 1 1/2" = 1'-0"



4 Plan Detail
SCALE: 1 1/2" = 1'-0"



5 Plan Detail
SCALE: 1 1/2" = 1'-0"



6 Not Used
SCALE: 1 1/2" = 1'-0"