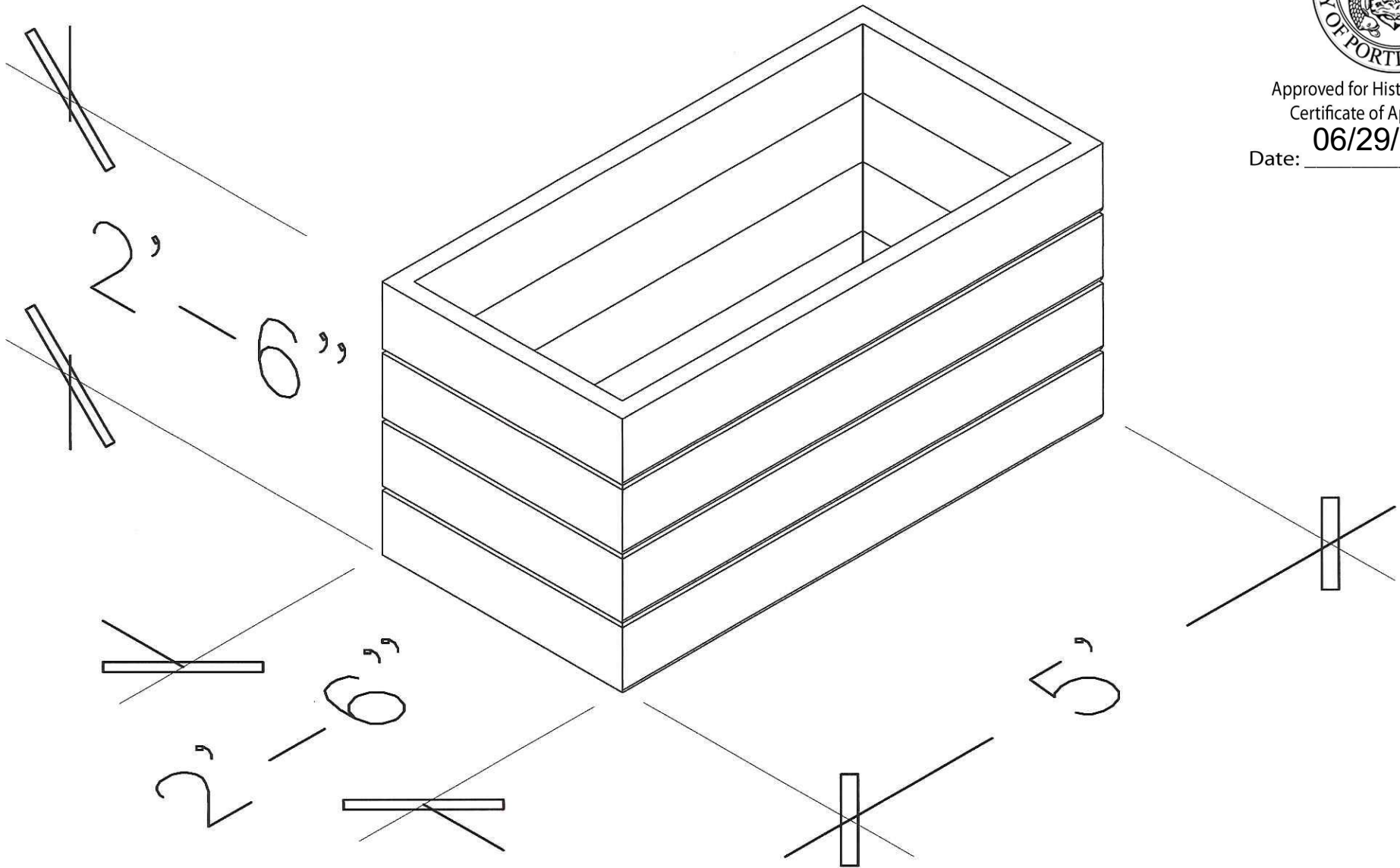




Approved for Historic Preservation  
Certificate of Appropriateness  
Date: 06/29/17



PLANTER NOTES:

- Planter to be painted identical to 5th floor exterior color
- ~~Planter will be secured to decking with screw-down blocking.~~
- Planter to be constructed of composite materials to prevent decay