

project name

**Frye bldg.  
44 Oak st.**

goduti/thomas architects

44 oak st.

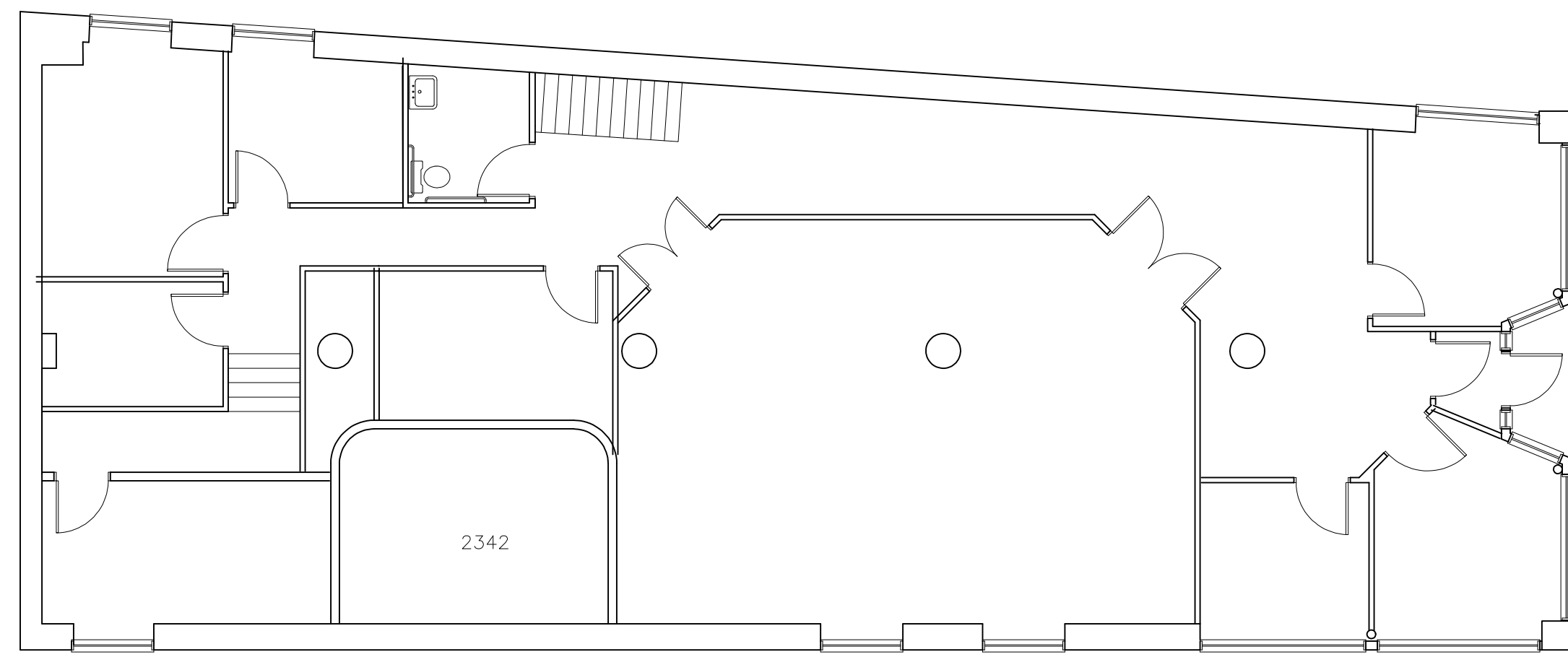
portland, maine 04101

ph. 207-775-3184

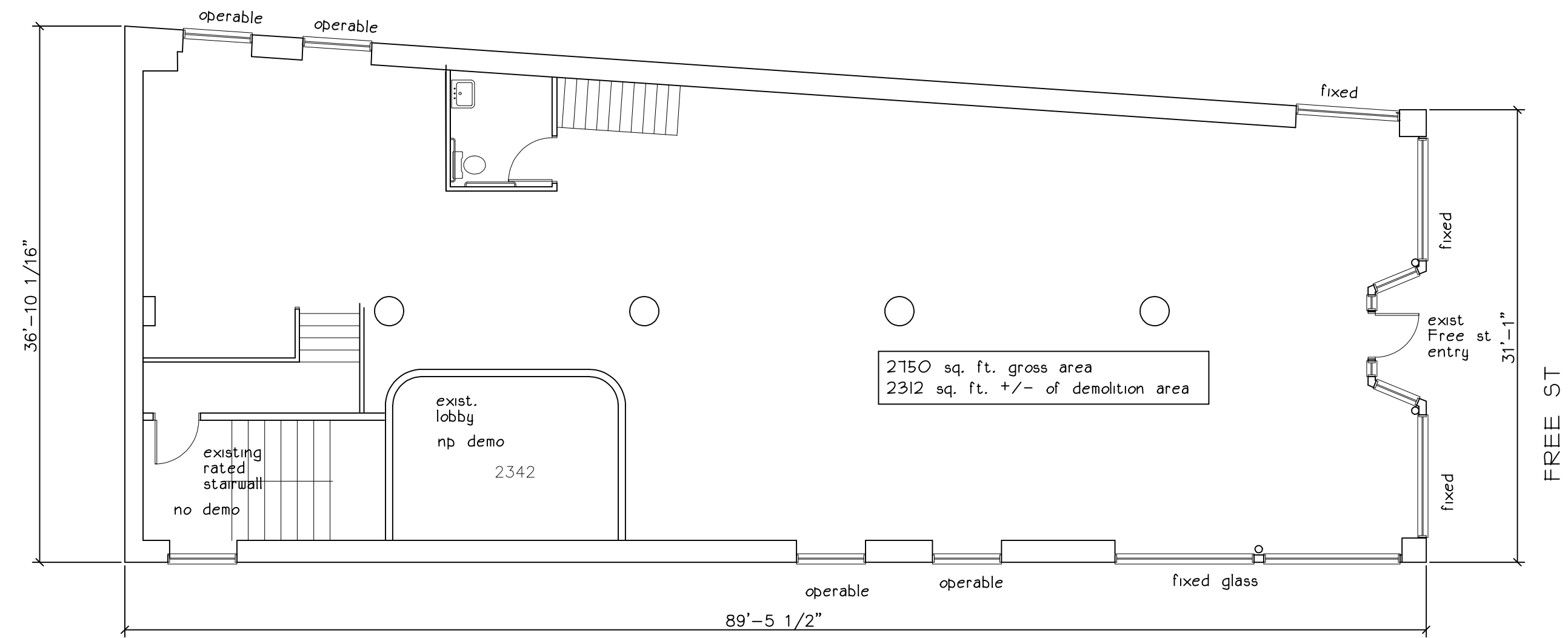
fax 207-774-0846

**notes**

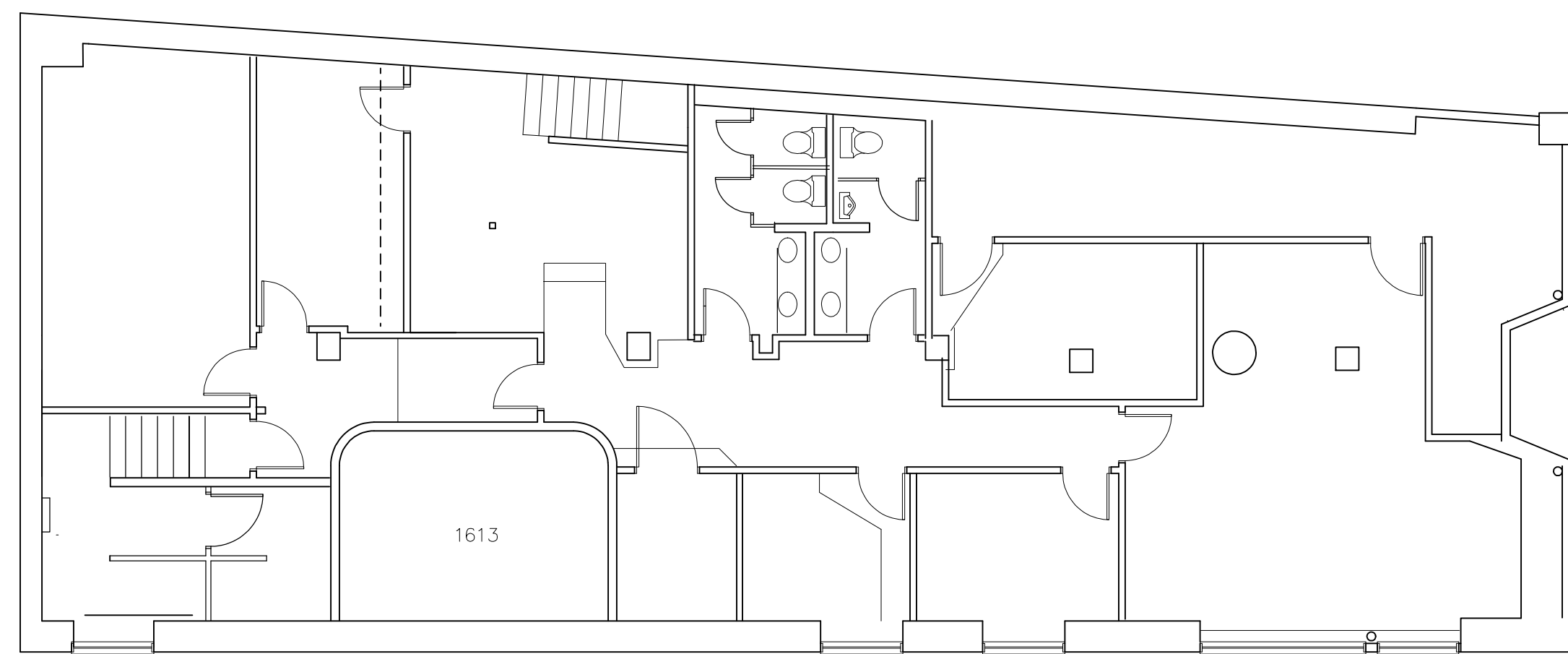
1. building is equipped with a 13 monitored sprinkler system
2. building is equipped with a fire alarm system
3. the space has a HVAC system gas fired installed 2006
4. There is no Asbestos, removed 1985
5. There are no dropped ceilings in basement. There are soffited areas to cover HVAC on 1st floor, otherwise ceiling is open to be tin ceiling attached to 2nd floor structure which will remain.



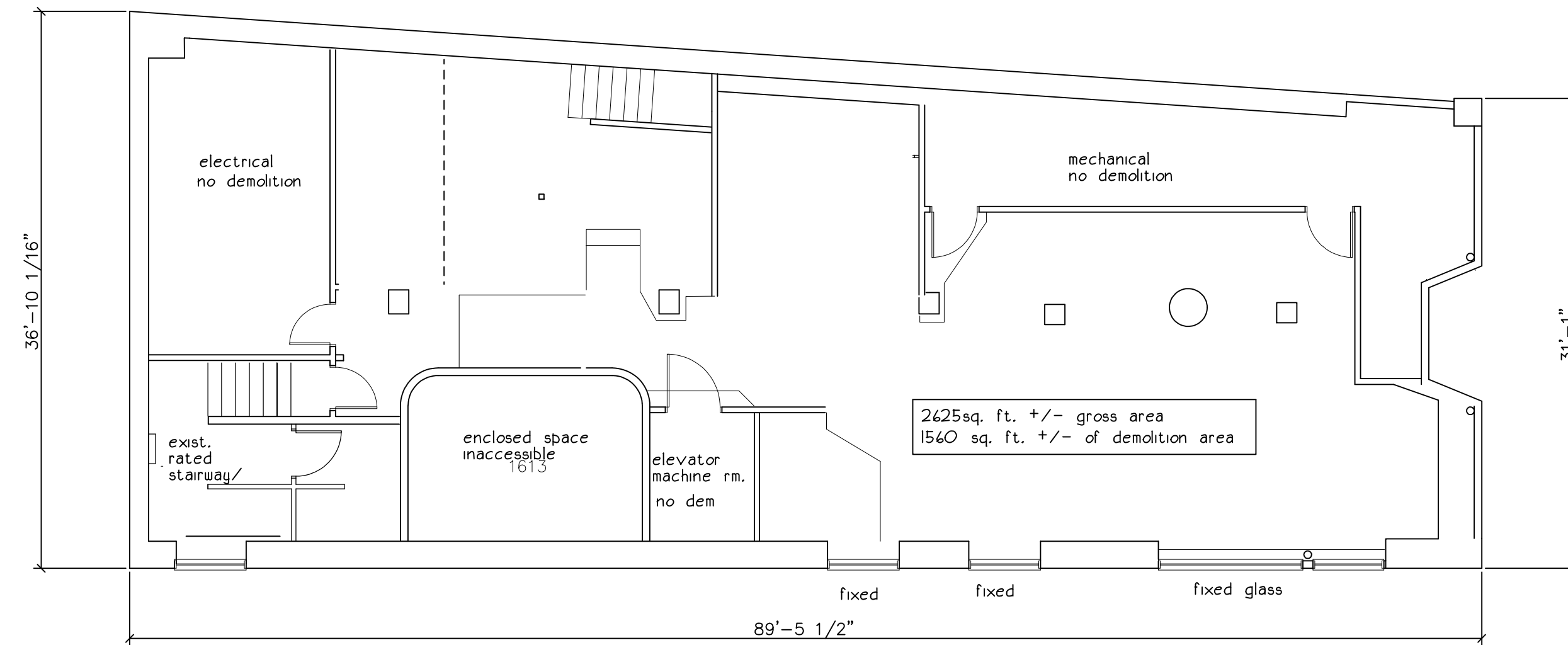
existing 1st floor plan



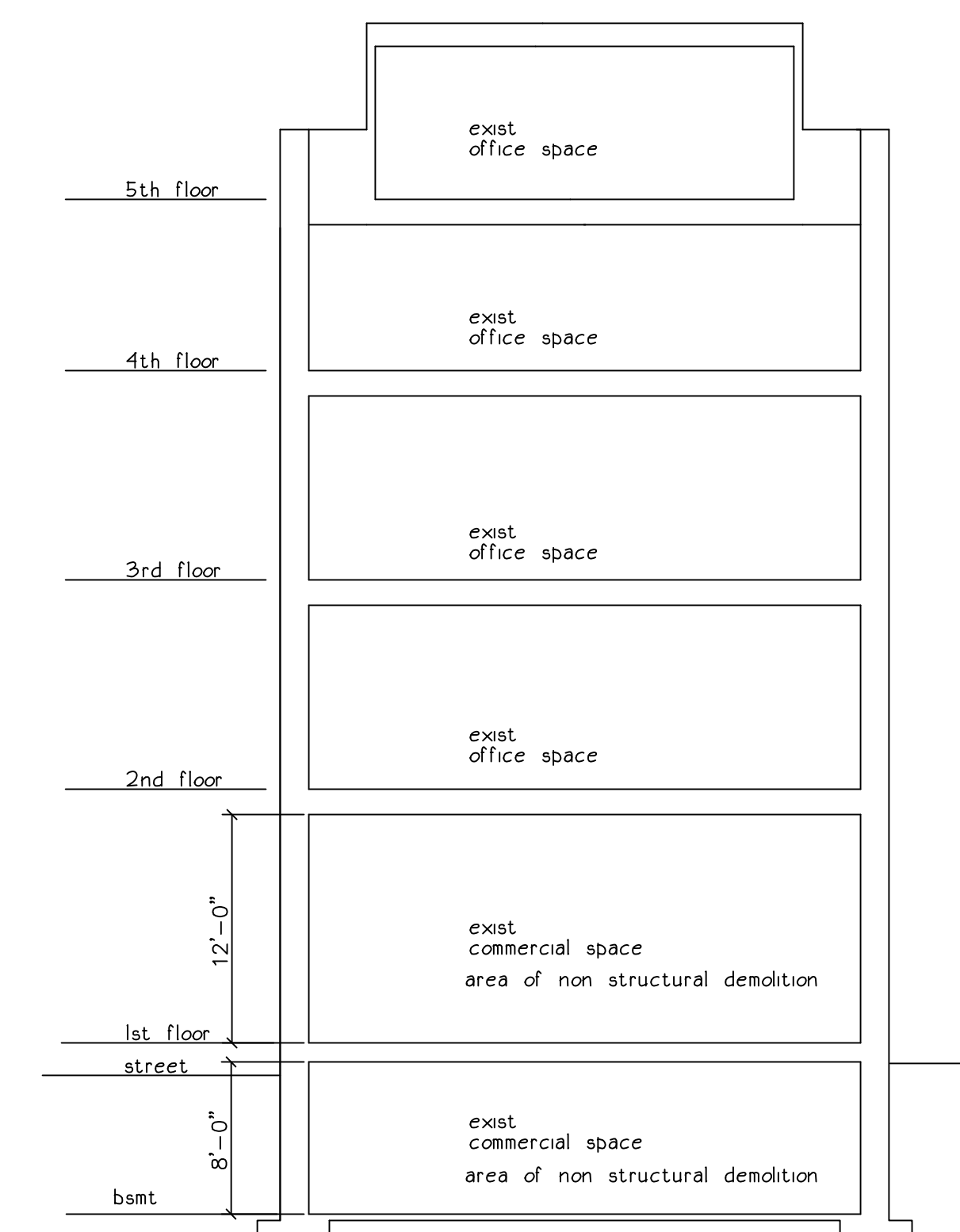
post demolition 1st floor plan



existing basement plan



post demolition basement plan



revisions

date

August 4, 2008

sheet title

**1st floor, basement  
existing floor plans  
post demolition plan**



scale

1/8"=1'-0"

drawn by

RG

project number

frye

sheet number