

DOOR SCHEDULE									
DOOR #	FROM	TO	SIZE	DOOR MATERIAL	DOOR TYPE	DOOR RATING	FRAME	HARDWARE SET	NOTES
001	SPA	LAUNDRY	3'-0" X 7'-0"	SOLID CORE	I	-	HOLLOW METAL	04	
002	CORRIDOR	BREAK ROOM	3'-0" X 7'-0"	SOLID CORE	I	-	HOLLOW METAL	04	
100	SHAMPOO AREA	SPA TREATMENT #1	3'-0" X 7'-0"	SOLID CORE	I	-	HOLLOW METAL	03	
101	SHAMPOO AREA	SPA TREATMENT #2	3'-0" X 7'-0"	SOLID CORE	I	-	HOLLOW METAL	03	
102	SHAMPOO AREA	SPA TREATMENT #3	3'-0" X 7'-0"	SOLID CORE	I	-	HOLLOW METAL	03	
103	FUTURE TENANT	ADA BATH	3'-0" X 7'-0"	SOLID CORE	I	-	HOLLOW METAL	03	
104	HAIR SALON	VESTIBULE	3'-0" X 7'-0"	STOREFRONT	II	-	ALUMINUM	01	
105	VESTIBULE	FUTURE TENANT	3'-0" X 7'-0"	STOREFRONT	II	-	ALUMINUM	01	
106	VESTIBULE	WAITING AREA	3'-0" X 7'-0"	STOREFRONT	II	-	ALUMINUM	01	
107	HAIR SALON	WAITING AREA	9'-0" X 7'-0"	SLIDING GLASS	III	-	ALUMINUM	05	
108	HAIR SALON	SPA	6'-0" X 8'-0"	SOLID CORE	IV	-	WOOD	06	
200	CORRIDOR	ADA BATHROOM	3'-0" X 7'-0"	SOLID CORE	I	-	HOLLOW METAL	03	
201	FITNESS STUDIO	CORRIDOR	6'-0" X 7'-0"	SOLID CORE	VI	-	HOLLOW METAL	06	
202	FITNESS STUDIO	CHANGING AREA	3'-0" X 7'-0"	SOLID CORE	I	-	HOLLOW METAL	02	
203	UNISEX BATH	FITNESS STUDIO	3'-0" X 7'-0"	SOLID CORE	I	-	HOLLOW METAL	03	
204	UNISEX BATH	FITNESS STUDIO	3'-0" X 7'-0"	SOLID CORE	I	-	HOLLOW METAL	03	
205	CORRIDOR	MAKE UP STUDIO	3'-0" X 7'-0"	SOLID CORE	V	-	HOLLOW METAL	06	
206	FITNESS STUDIO	FIRE ESCAPE	CUSTOM	ALUM. STOREFRONT	VII	-	ALUMINUM	01	1, 2, 3

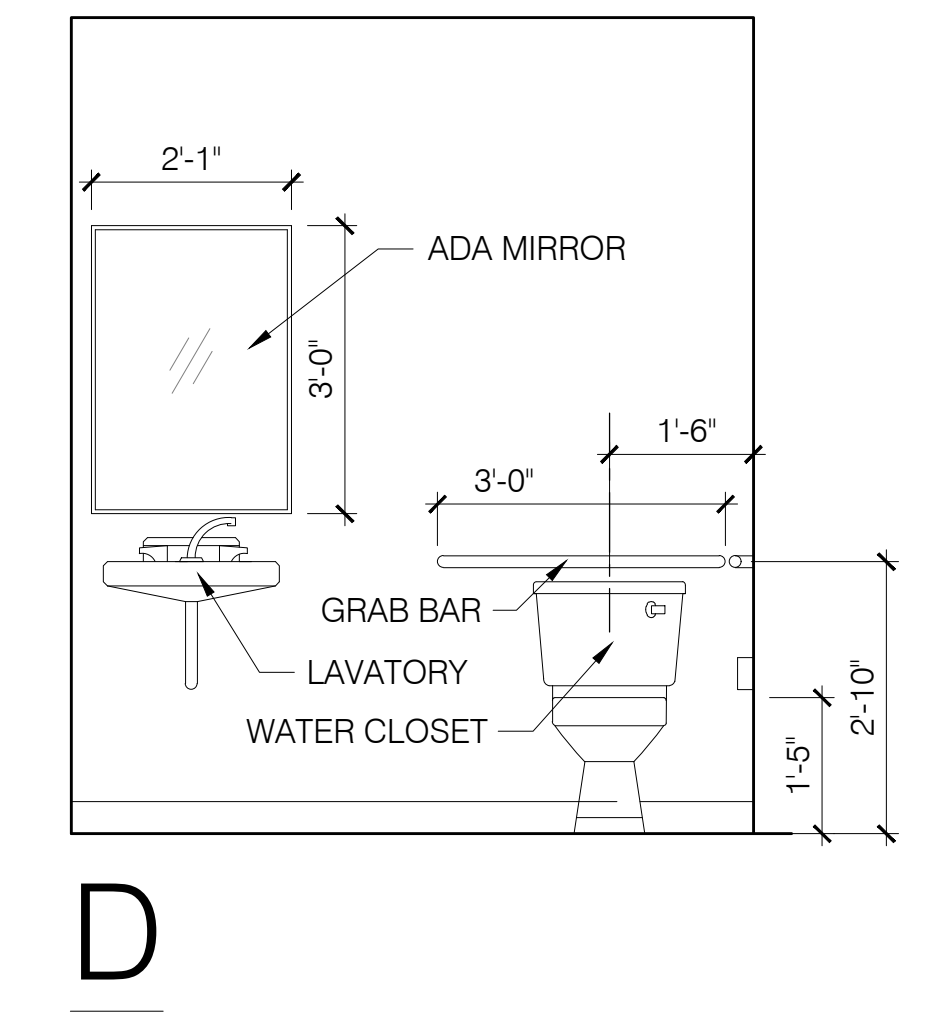
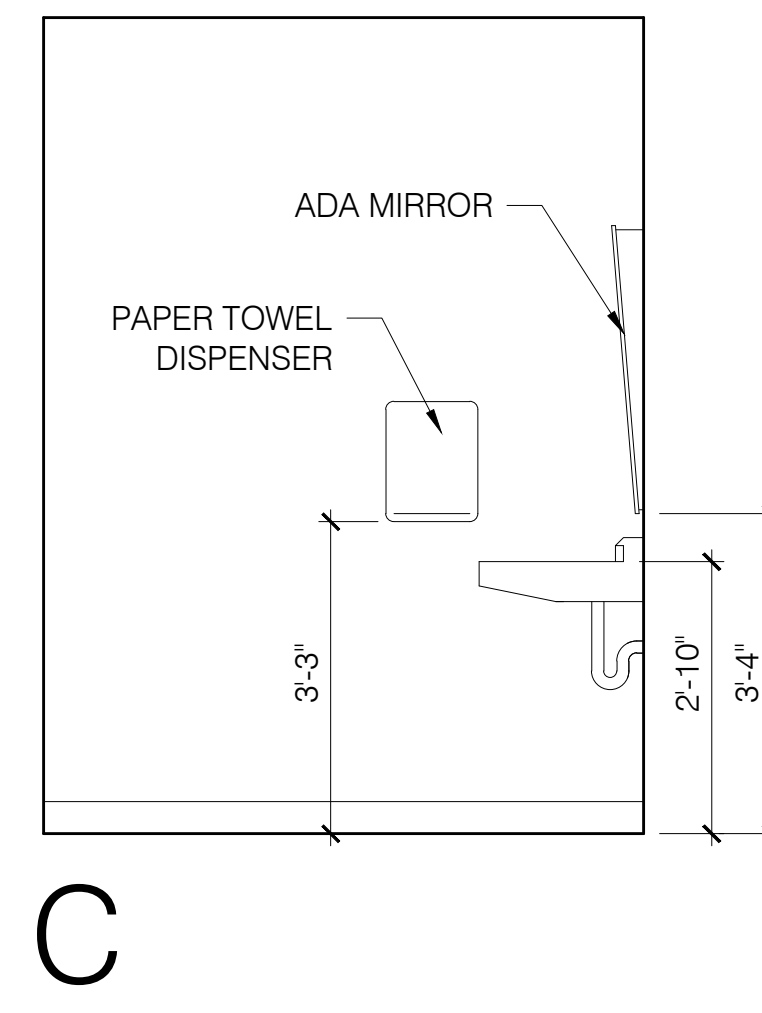
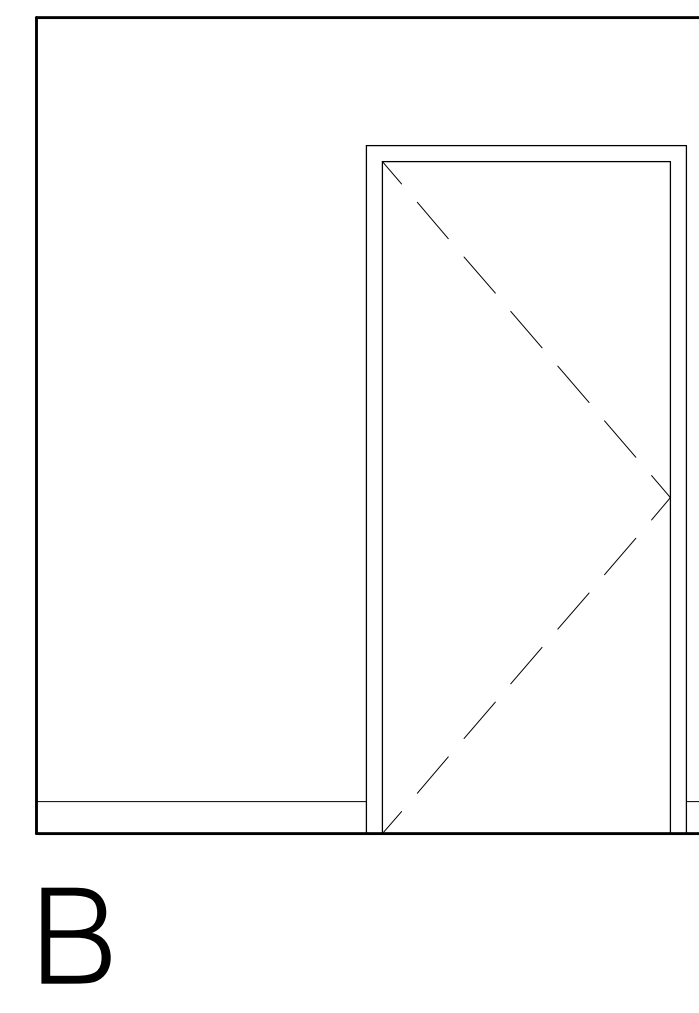
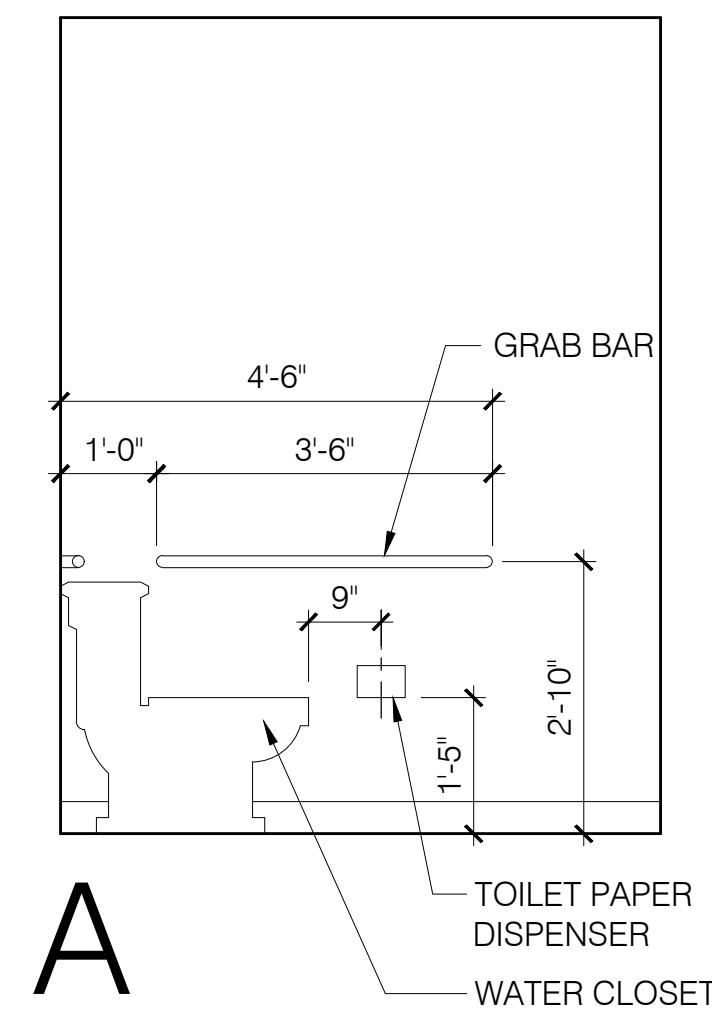
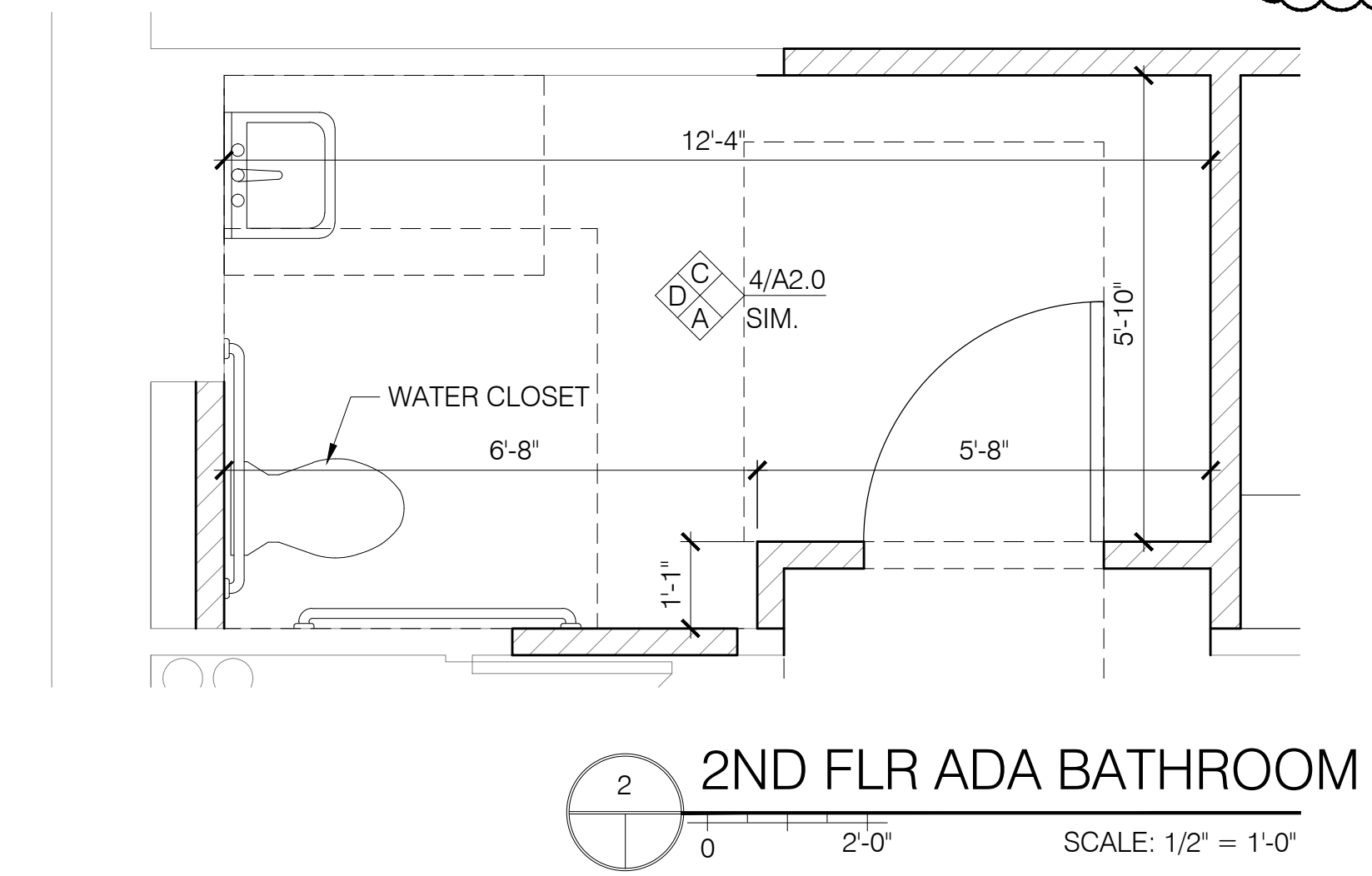
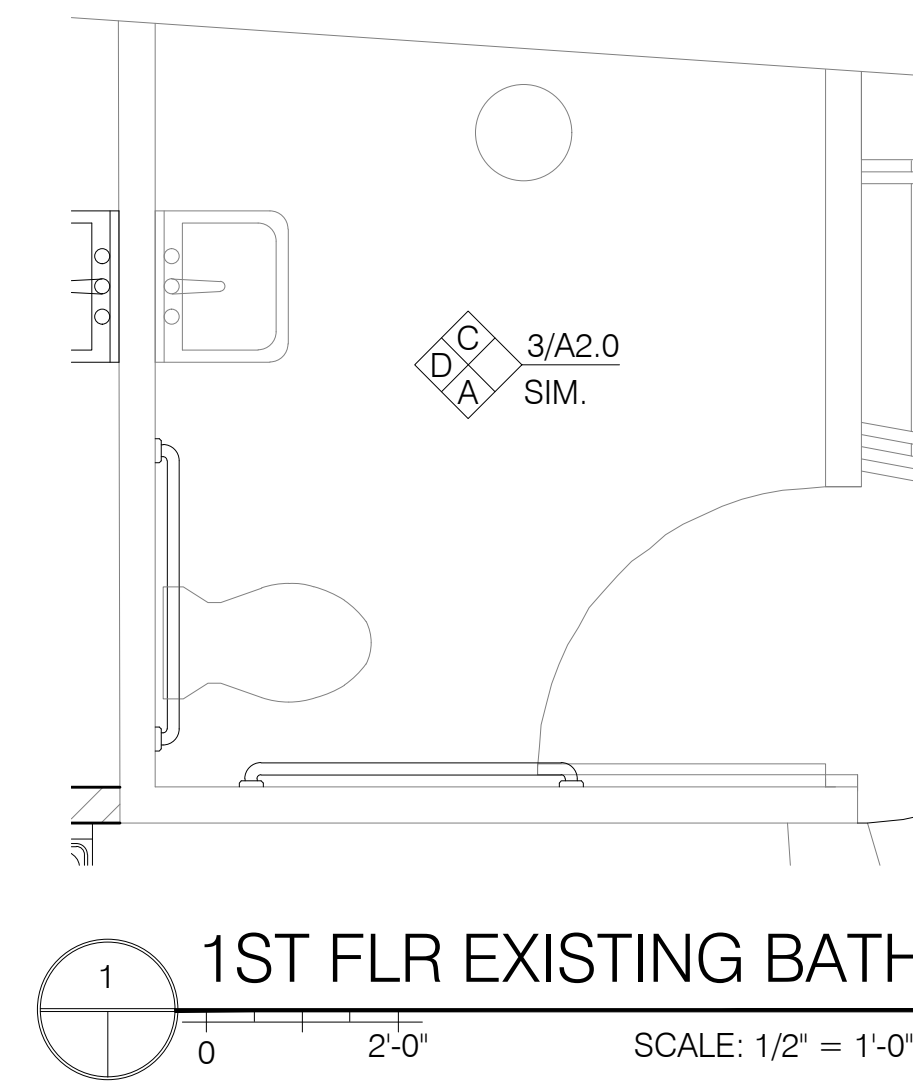
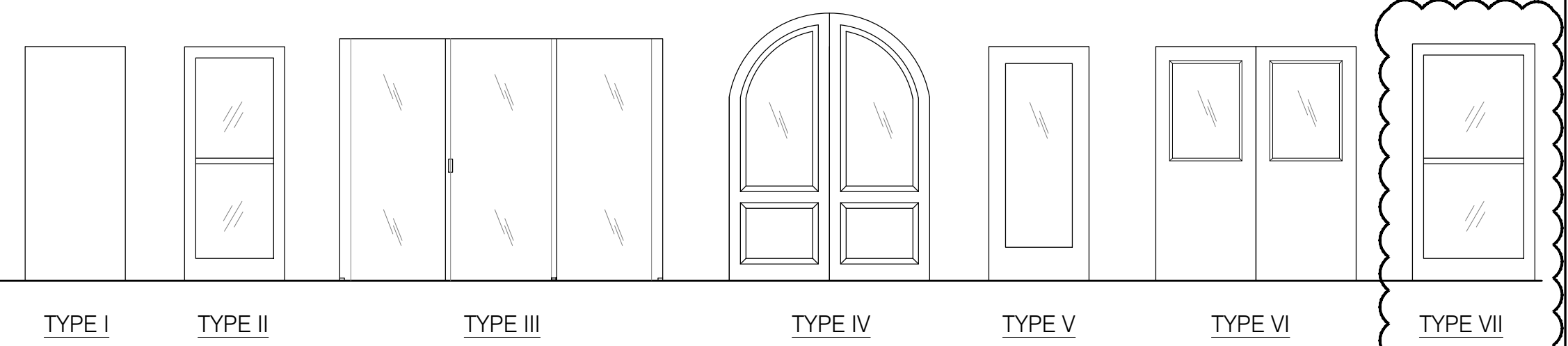
- NOTES:
- DOOR SIZE SHALL BE APPROXIMATELY 44" X 85". VERIFY EXISTING ROUGH OPENING FOR CUSTOM DOOR SIZING.
 - DOOR AND FRAME FINISH SHALL BE CLEAR ANODIZED TO MATCH TYPICAL EXISTING WINDOW FINISH.
 - PROVIDE CROSS BAR AT DOOR. HEIGHT AND THICKNESS TO MATCH SASH LINE OF TYPICAL EXISTING DOUBLE HUNG WINDOWS.

GENERAL DOOR SCHEDULE NOTES:

- ALL DOOR HARDWARE AND ACCESSORIES TO BE ADA COMPLIANT.
- COORDINATE DOOR HARDWARE FINISHES AND DESIGNS WITH OWNER

HARDWARE SETS:

- 01 EXIT DOOR: (3) CLEAR OFFSET HINGES, CLOSER, STRIKE, LATCH ASSEMBLY, LOCKSET, ADA THRESHOLD, DOOR PULL, PANIC BAR EXIT
- 02 PASSAGE DOOR: (3) HINGES, CLOSER, STRIKE, LATCH ASSEMBLY, LEVER HANDLE
- 03 PRIVACY DOOR: (3) HINGES, CLOSER, STRIKE, LATCH ASSEMBLY, PRIVACY LOCKSET, LEVER HANDLE
- 04 STORAGE DOOR (3) HINGES, CLOSER, STRIKE, LATCH ASSEMBLY, STORAGE LOCKSET, LEVER HANDLE
- 05 TELESCOPING GLASS DOOR: TELESCOPING DOOR HARDWARE, LOCKSET
- 06 ENTRY DOOR (3) HINGES, CLOSER, STRIKE, LATCH ASSEMBLY, ENTRY LOCKSET, LEVER HANDLE/DOOR PULL
- 07 STAIRCASE DOOR: (3) HINGES, CLOSER, STRIKE, LATCH ASSEMBLY, LEVER HANDLE. ELECTRONIC HOLD OPENS



3 0 2'-0" SCALE: 1/2" = 1'-0"