

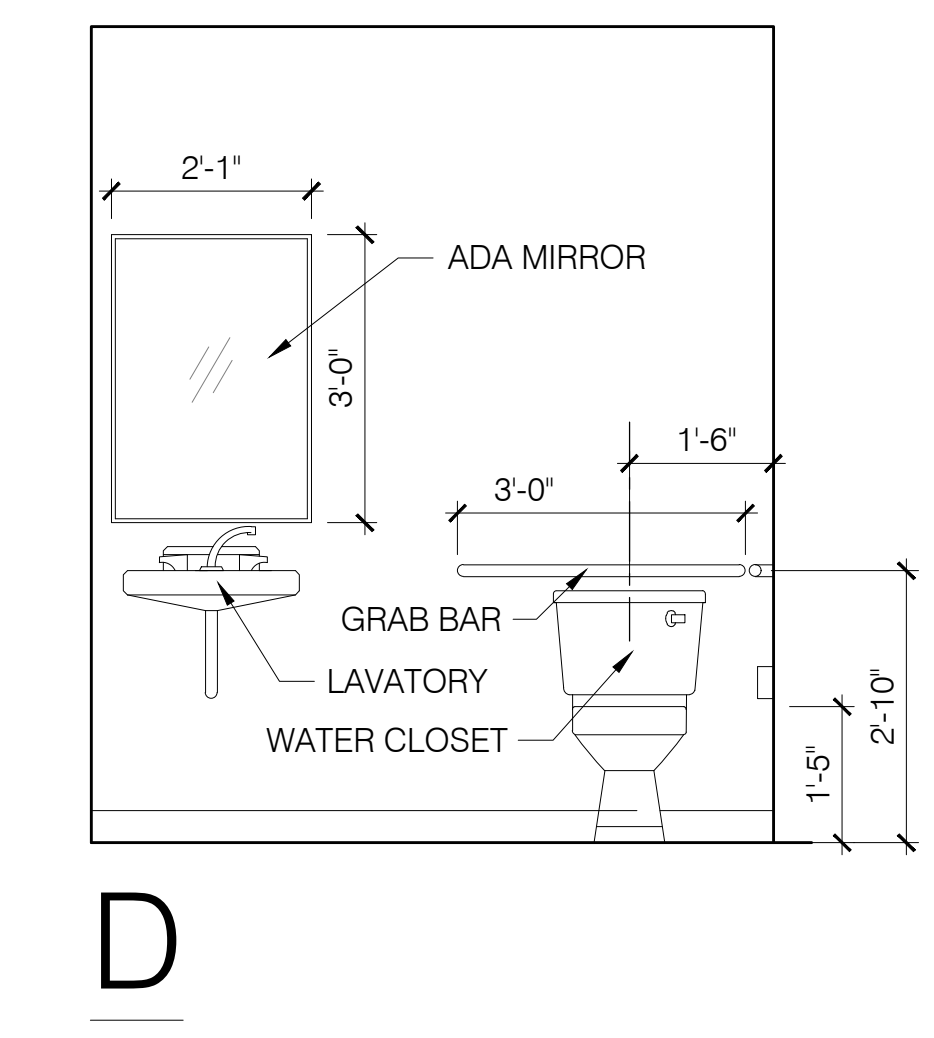
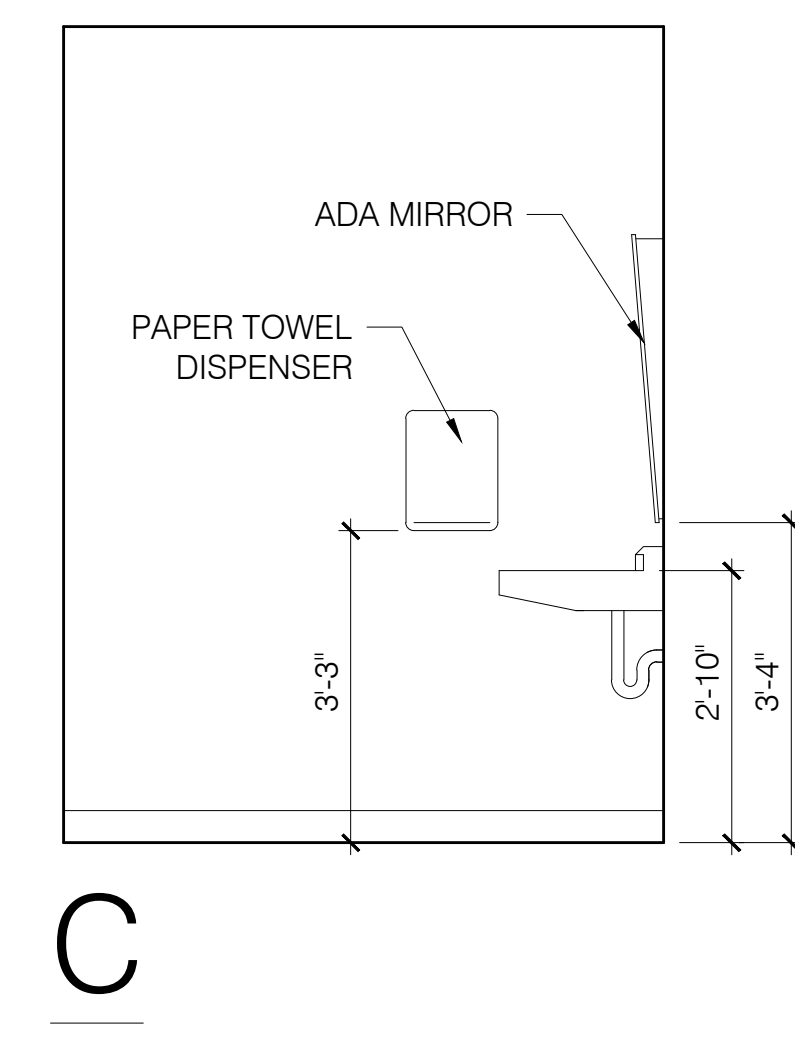
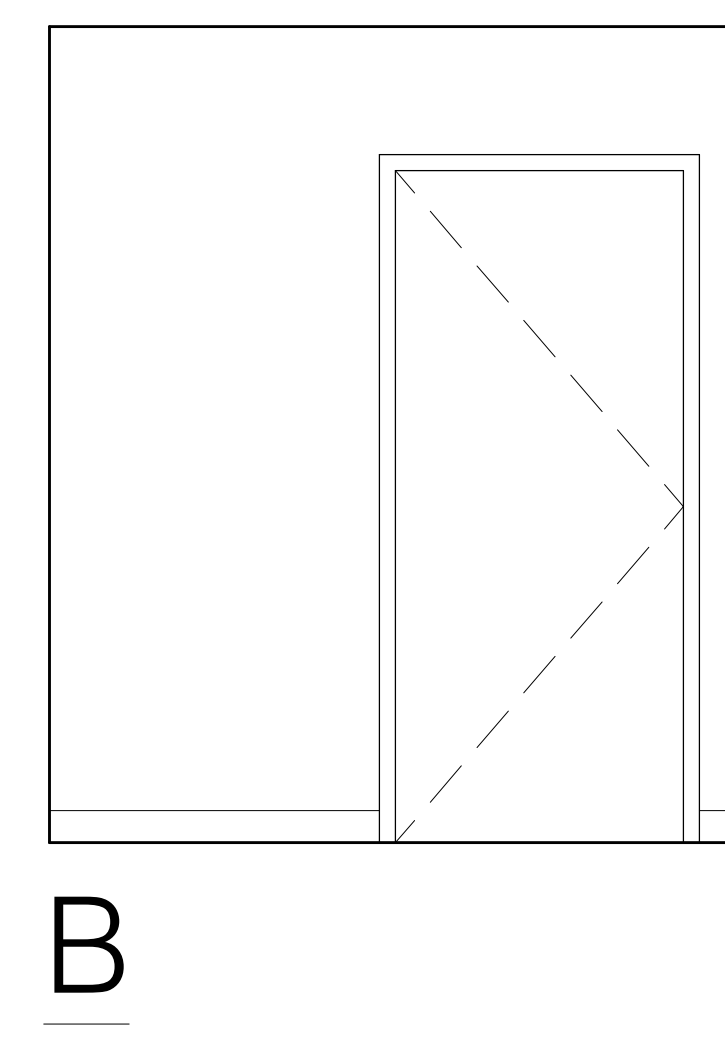
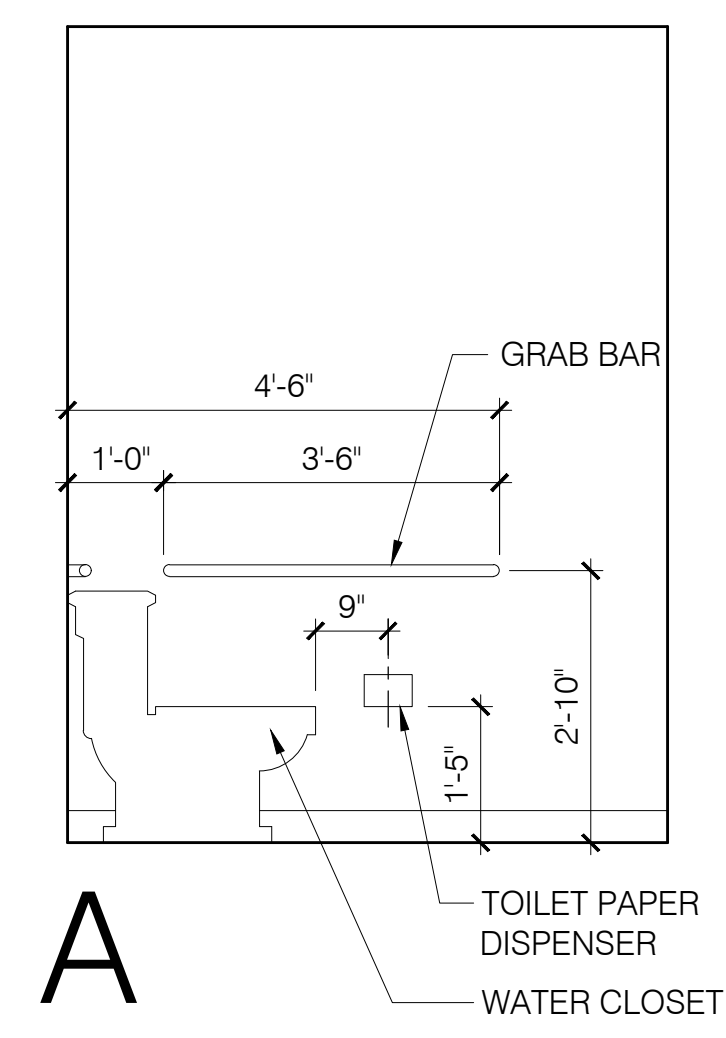
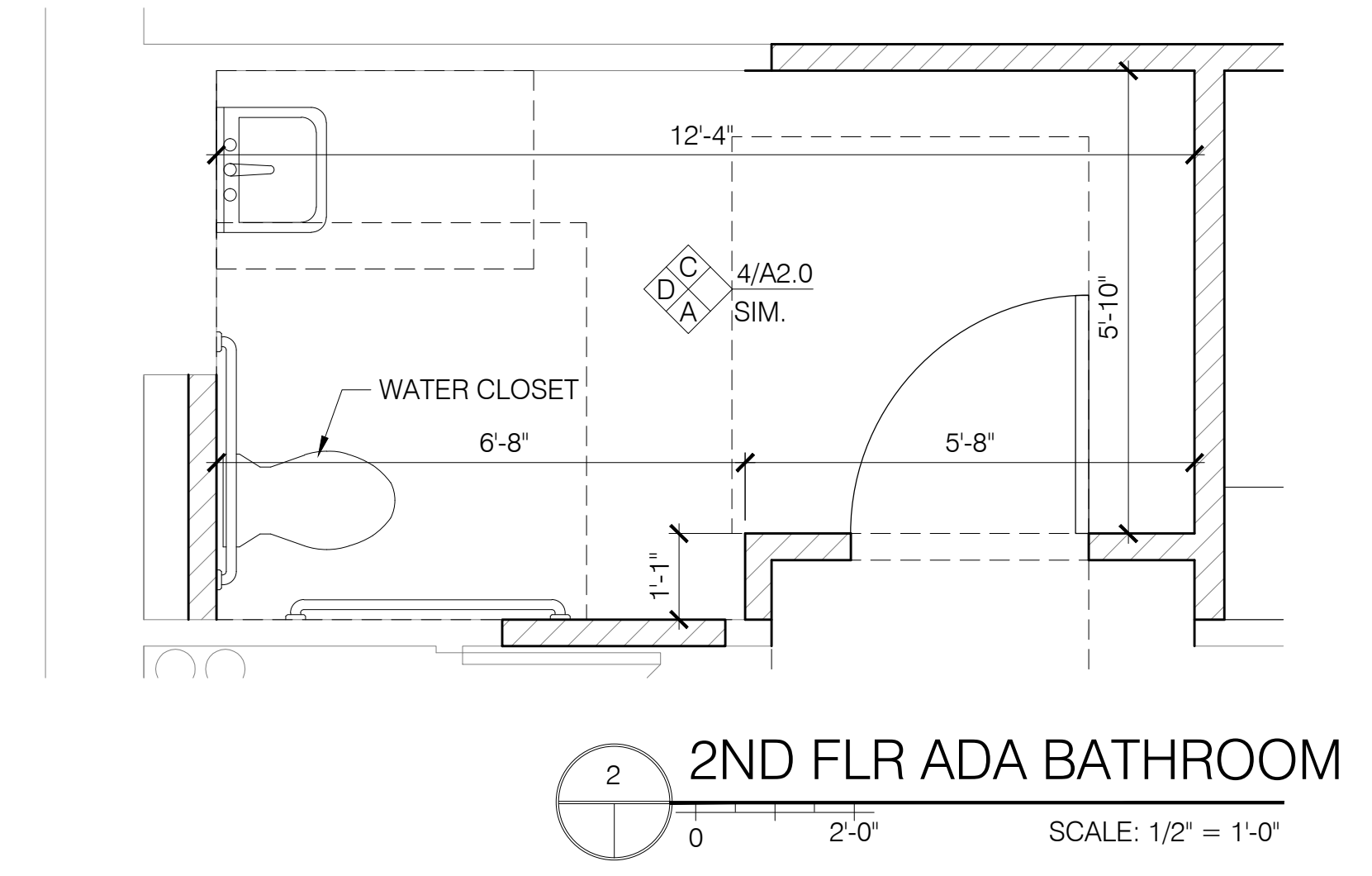
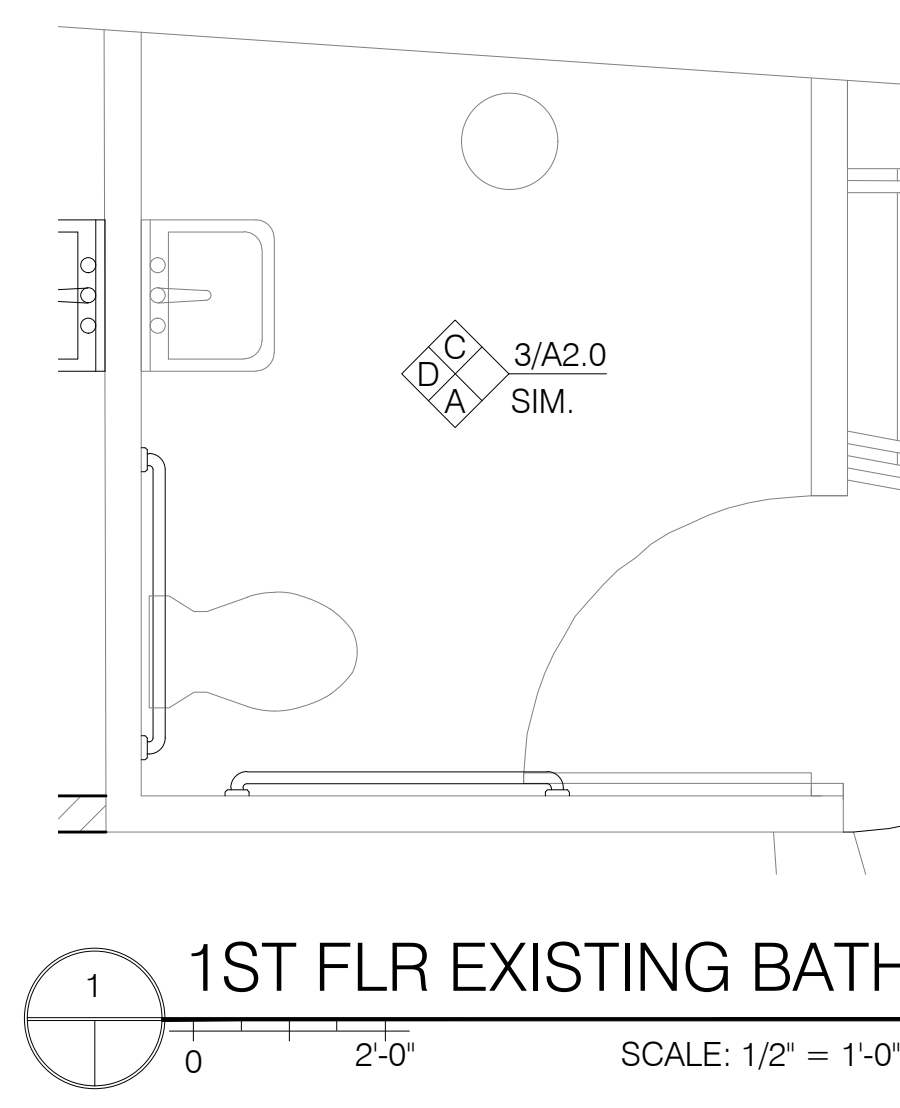
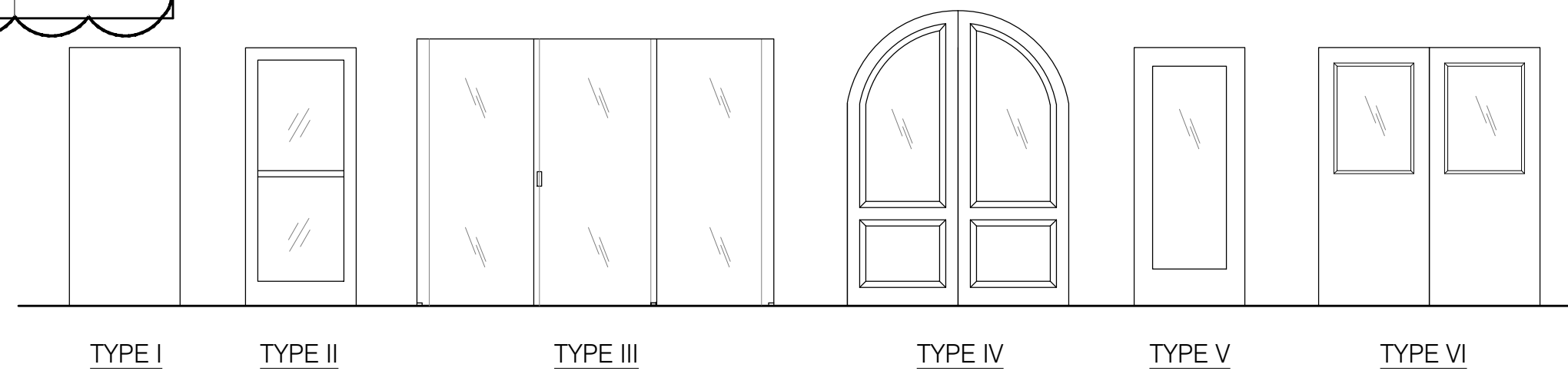
| DOOR SCHEDULE | | | | | | | | | |
|---------------|----------------|------------------|---------------|---------------|-----------|-------------|--------------|--------------|-------|
| DOOR # | FROM | TO | SIZE | DOOR MATERIAL | DOOR TYPE | DOOR RATING | FRAME | HARDWARE SET | NOTES |
| 001 | SPA | LAUNDRY | 3'-0" X 7'-0" | SOLID CORE | I | - | HOLLOW METAL | 04 | |
| 002 | CORRIDOR | BREAK ROOM | 3'-0" X 7'-0" | SOLID CORE | I | - | HOLLOW METAL | 04 | |
| 100 | SHAMPOO AREA | SPA TREATMENT #1 | 3'-0" X 7'-0" | SOLID CORE | I | - | HOLLOW METAL | 03 | |
| 101 | SHAMPOO AREA | SPA TREATMENT #2 | 3'-0" X 7'-0" | SOLID CORE | I | - | HOLLOW METAL | 03 | |
| 102 | SHAMPOO AREA | SPA TREATMENT #3 | 3'-0" X 7'-0" | SOLID CORE | I | - | HOLLOW METAL | 03 | |
| 103 | FUTURE TENANT | ADA BATH | 3'-0" X 7'-0" | SOLID CORE | I | - | HOLLOW METAL | 03 | |
| 104 | HAIR SALON | VESTIBULE | 3'-0" X 7'-0" | STOREFRONT | II | - | ALUMINUM | 01 | |
| 105 | VESTIBULE | FUTURE TENANT | 3'-0" X 7'-0" | STOREFRONT | II | - | ALUMINUM | 01 | |
| 106 | VESTIBULE | WAITING AREA | 3'-0" X 7'-0" | STOREFRONT | II | - | ALUMINUM | 01 | |
| 107 | HAIR SALON | WAITING AREA | 9'-0" X 7'-0" | SLIDING GLASS | III | - | ALUMINUM | 05 | |
| 108 | HAIR SALON | SPA | 6'-0" X 8'-0" | SOLID CORE | IV | - | WOOD | 06 | |
| 200 | CORRIDOR | ADA BATHROOM | 3'-0" X 7'-0" | SOLID CORE | I | - | HOLLOW METAL | 03 | |
| 201 | FITNESS STUDIO | CORRIDOR | 6'-0" X 7'-0" | SOLID CORE | VI | - | HOLLOW METAL | 06 | |
| 202 | FITNESS STUDIO | CHANGING AREA | 3'-0" X 7'-0" | SOLID CORE | I | - | HOLLOW METAL | 02 | |
| 203 | UNISEX BATH | FITNESS STUDIO | 3'-0" X 7'-0" | SOLID CORE | I | - | HOLLOW METAL | 03 | |
| 204 | UNISEX BATH | FITNESS STUDIO | 3'-0" X 7'-0" | SOLID CORE | I | - | HOLLOW METAL | 03 | |
| 205 | CORRIDOR | MAKE-UP STUDIO | 3'-0" X 7'-0" | SOLID CORE | V | - | HOLLOW METAL | 06 | |

GENERAL DOOR SCHEDULE NOTES:

- ALL DOOR HARDWARE AND ACCESSORIES TO BE ADA COMPLIANT.
- COORDINATE DOOR HARDWARE FINISHES AND DESIGNS WITH OWNER.

HARDWARE SETS:

- 01 EXIT DOOR: (3) CLEAR OFFSET HINGES, CLOSER, STRIKE, LATCH ASSEMBLY, LOCKSET, ADA THRESHOLD, DOOR PULL, PANIC BAR EXIT
- 02 PASSAGE DOOR: (3) HINGES, CLOSER, STRIKE, LATCH ASSEMBLY, LEVER HANDLE
- 03 PRIVACY DOOR: (3) HINGES, CLOSER, STRIKE, LATCH ASSEMBLY, PRIVACY LOCKSET, LEVER HANDLE
- 04 STORAGE DOOR (3) HINGES, CLOSER, STRIKE, LATCH ASSEMBLY, STORAGE LOCKSET, LEVER HANDLE
- 05 TELESCOPING GLASS DOOR: TELESCOPING DOOR HARDWARE, LOCKSET
- 06 ENTRY DOOR (3) HINGES, CLOSER, STRIKE, LATCH ASSEMBLY, ENTRY LOCKSET, LEVER HANDLE/DOOR PULL
- 07 STAIRCASE DOOR: (3) HINGES, CLOSER, STRIKE, LATCH ASSEMBLY, LEVER HANDLE, ELECTRONIC HOLD OPENS



3 0 2'-0" SCALE: 1/2" = 1'-0"