

# DOOR SCHEDULE

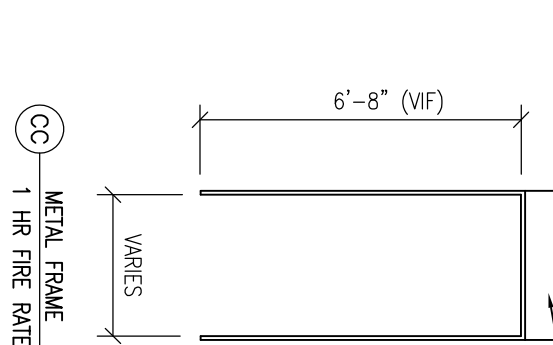
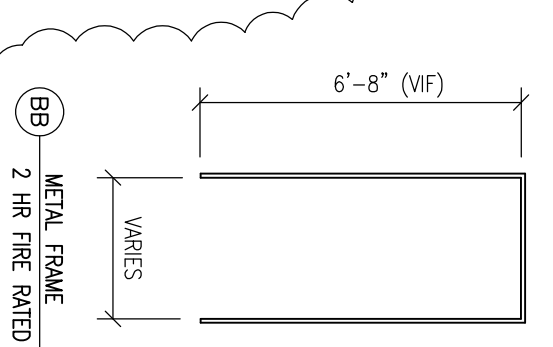
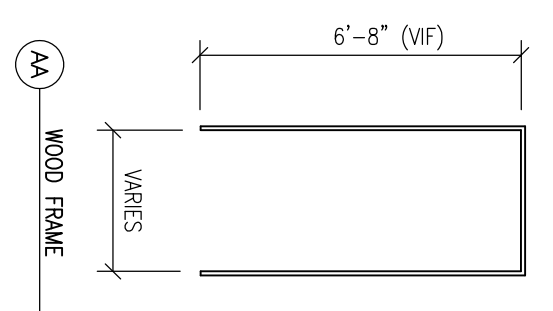
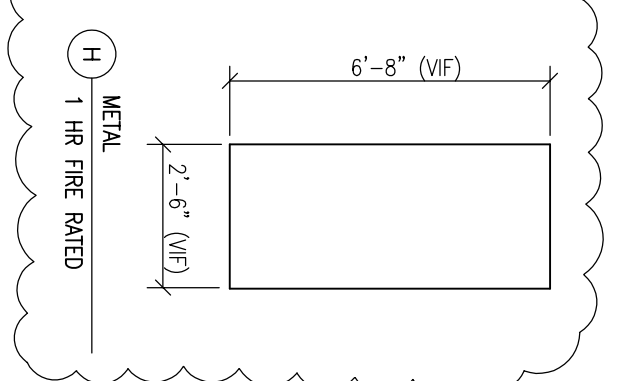
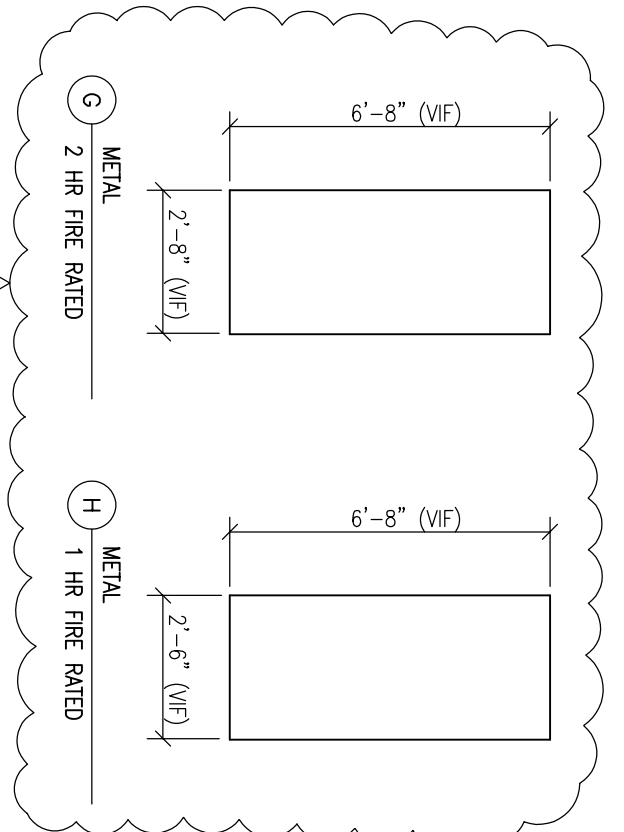
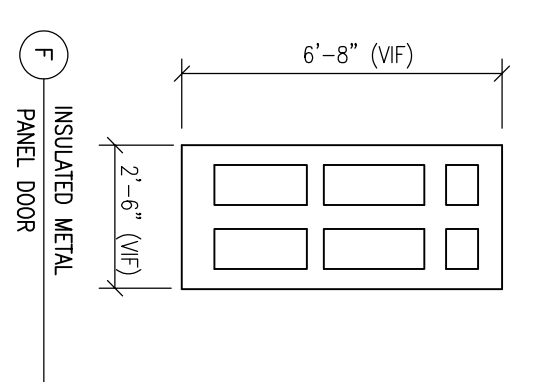
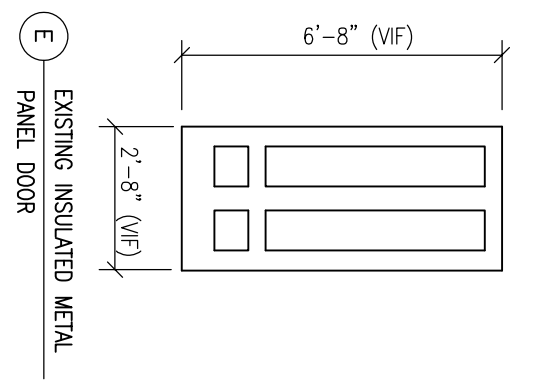
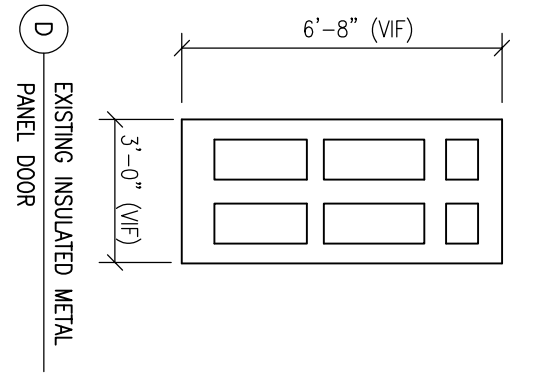
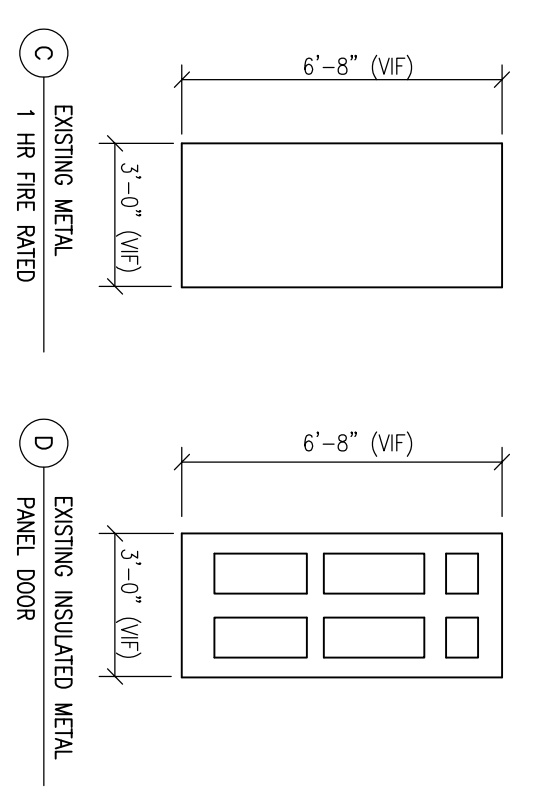
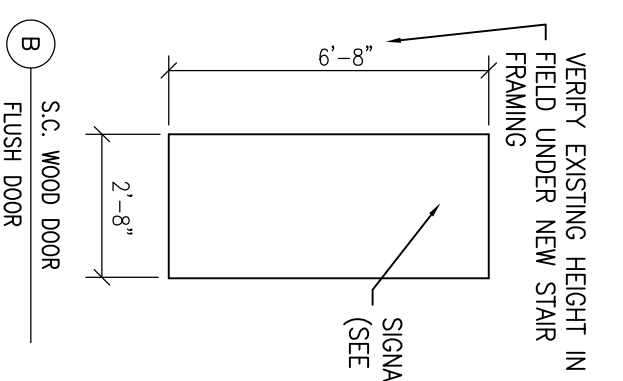
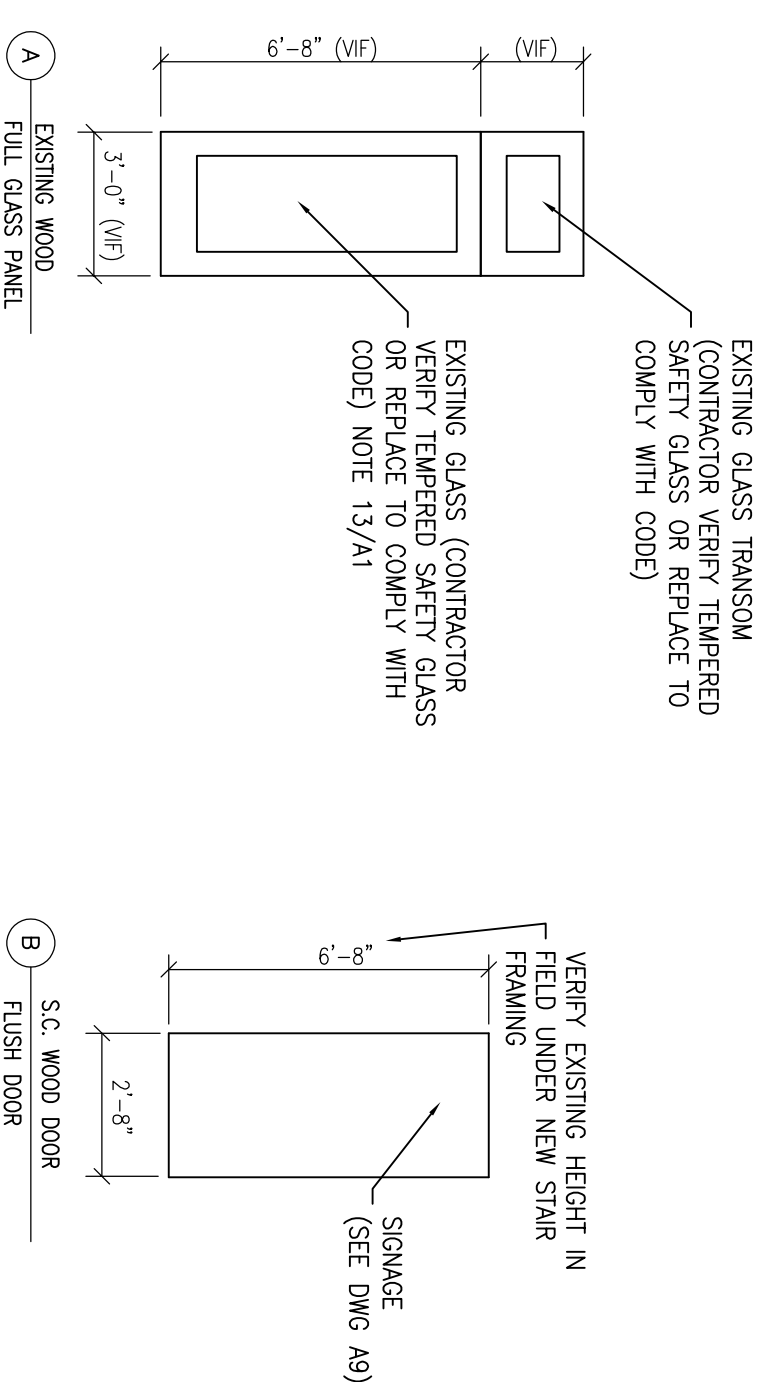
**DOOR SCHEDULE ABBREVIATIONS**

CLO. CLOSER	HM HOLLOW METAL	S.C. SOLID CORE HARDBOARD
DSI DOOR SILENCERS	INS INSULATED	S.H. SPRING HINGE
D.S. DOOR SWEEP (SOUNDPROOFING)	K KICKPLATE (FLUSH SIDE)	S.J. SPLIT JAMB (WOOD)
DST DOOR STOP	KL KEY LOCK	TEMP TEMPERED
EHO ELECTRO HOLD OPENER	ML METAL	TL THUMB LATCH
ES ELECTRIC STRIKE	NO NUMBER	THK THICKNESS
F.J.P. FINGER JOINTED PRIMED	PS PASSAGE SET	UC UNDERCUT
FR FIRE RATED	P.H. FIRE EXIT PANIC HARDWARE (NOTE 4)	WD WOOD (SOLID)
HA HANDICAP ACCESSIBLE	P.P. PUSH PAD/OLE	WG WIRE GLASS
HC HOLLOW CORE HARDBOARD	PVS PRIVACY SET	V VIEWER
HOME HARDWARE	S STEEL	VF VERIFY IN FIELD

MARK	TYPE	SIZE	THK.	F.R.	HDWE SET	MAT.	GLASS		REMARKS	TYPE	MAT.	F.R.	DETAILS		THRESHOLD		REMARKS	
							SIZE	TYPE					HEAD	JAMB	MAT.	SILL		HT.
100	A	3'-0" x 6'-8"	1 3/4"	-	LEVER	WOOD	FULL	TEMPERED SAFETY	HA, KL (NOTE 3), DST [CONFORM EXISTING GLASS IN DOOR IS TEMPERED SAFETY GLASS]	AA	WOOD	-	EXISTING	EXISTING	EXISTING ALUM	YES	Max. 1/2"	CONTRACTOR VERIFY EXISTING GLASS IS TEMPERED SAFETY TYPE CONFORM MAXIMUM 1/2" EXISTING THRESHOLD HEIGHT, NOTE 3
101	B	3'-0" x 6'-8"	1 3/4"	-	LEVER	WOOD	-	-	HA, PVS, CLO, DST (NOTE 1)	AA	WOOD	-	-	-	-	-	-	PROVIDE ROOM SQAUE. SEE DRAWING A7
102	B	2'-8" x 6'-8"	1 3/4"	-	LEVER	WOOD	-	-	PVS, SH, DST (NOTE 1)	AA	WOOD	-	-	-	-	-	-	CONTRACTOR VERIFY ADEQUATE DOOR ROUGH OPENING HEIGHT UNDER NEW STAR
103	C	3'-0" x 6'-8"	1 3/4"	1 HOUR	LEVER	METAL	-	-	(EXISTING CLASS B LABEL) FR, CLO (or SPRING HINGES), DS (NOTE 1)	-	EXISTING	EXISTING	-	-	-	-	-	PROVIDE CLOSER ON EXISTING FIRE RATED METAL DOOR
104	B	3'-0" x 6'-8"	1 3/4"	-	LEVER	METAL	-	-	(EXISTING) DST SELF CLOSING INSULATED 1 HR FIRE RATED EXTERIOR DOOR W/ALUM THRESHOLD AND 1 HR FIRE RATED TRANSMOM PANEL	CC	EXISTING WOOD W/ENSL. W/ENSL.	1 HOUR	-	-	-	-	-	EXISTING EXTERIOR METAL DOOR (VF) PROVIDE FLUSH 1 HR FIRE RATED WHITE TRANSMOM PANEL TO MATCH EXISTING
105	H	2'-6"(VF) x 6'-8"	1 3/4"	1 HOUR	LEVER	METAL	-	-		CC	METAL	1 HOUR	-	-	-	-	-	EXISTING OPENING (VF)
200	G	2'-8"(VF) x 6'-8"	1 3/4"	2 HOUR	LEVER	METAL	-	-	DST, CLO (OPTIONAL MAGNETIC DOOR HOLDBACK WIRED TO FIRE ALARM SYSTEM)	METAL BB	METAL	2 HOUR	-	-	-	-	-	

**NOTES**

- SPECIFIC SELECTION OF DOOR TYPES, THICKNESS, VENEER, HINGES, LEVER HANDLES, PANIC BARS OR PADS, WOOD FINISH AND OTHER RELATED DOOR HOOKS/MAKE BY COMPANY/CODE (NAME/MAIN FIRE RATINGS REQUIRED FOR DOORS AND FRAMES INDICATED IN THIS SCHEDULE. TYPE)
- ALL DOORS SHALL BE EQUIPPED WITH LEVER TYPE HANDLES (UNO) AND SHALL BE ADA COMPLIANT. OPERABLE PARTS SHALL BE 34" MIN. TO 48" MAX. ABOVE FINISHED FLOOR AND OPERATE WITH ONE HAND AND SHALL NOT REQUIRE TIGHT GRASPING, PINCHING, OR TWISTING OF THE WRIST. THE FORCE REQUIRED TO ACTIVATE OPERABLE PARTS SHALL BE 5 POUNDS (22.2N) MAXIMUM.
  - DOOR CLOSERS SHALL BE ADJUSTED SO THAT FROM AN OPEN POSITION OF 90 DEGREES, THE TIME REQUIRED TO MOVE THE DOOR TO A POSITION OF 12 DEGREES FROM THE LATCH IS 5 SECONDS, MINIMUM
- APPROVED KEY OPERATED LOCKING DEVICE IS PERMITTED.
  - WHEN LOCKING DEVICE IS PERMITTED, HINGED/SWIPES OPEN OR ADJACENT TO THE DOOR SHALL BE KEPT OPEN AT ALL TIMES
  - STAYING THIS DOOR TO REMAIN UNLOCKED WHEN BUILDING IS OCCUPIED
 LETTERS SHALL BE MINIMUM 1" HIGH ON CONTRASTING BACKGROUND  
 c) USE OF THE KEY OPERATED LOCKING DEVICE SHALL BE APPROVED BY AND IS REVOCABLE BY THE BUILDING OFFICIAL FOR DUE CAUSE.



1 HR FIRE RATED TRANSMOM PANEL

**DOOR TYPES**

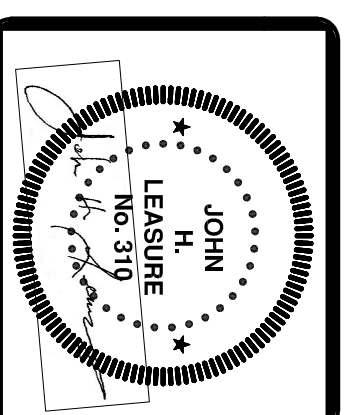
**FRAME TYPES**

- NOTES**
- See Drawing A1 for General Notes

**PROPOSED SICHUAN KITCHEN - RESTAURANT**  
 612 CONGRESS STREET  
 PORTLAND, MAINE

DOOR SCHEDULE

JOHN H. LEASURE ARCHITECT, INC.  
 6 Q STREET  
 SOUTH PORTLAND, MAINE 04106



REV.	DATE	STATUS
2	04-16	PERMIT SUBMISSION
2	12-16	PERMIT RESUBMISSION
1	9-22-16	FMO COMMENTS REVISIONS

