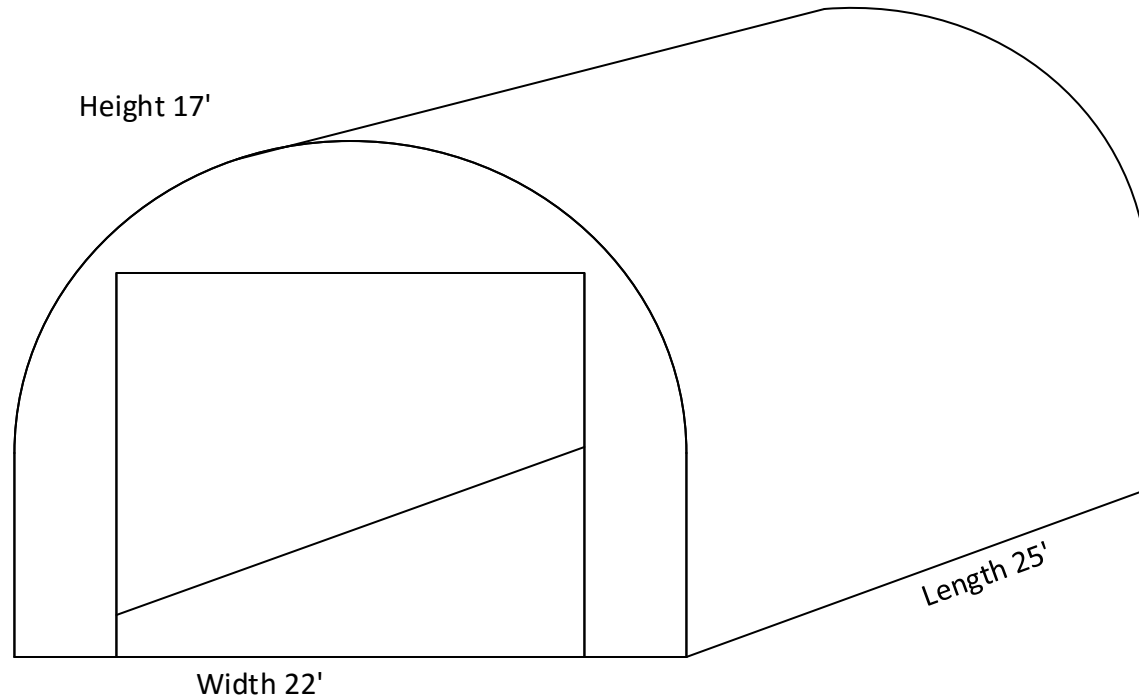


WCSH 6
Proposed Car-Port Structure



Structure is prefabricated. Made of tube steel for frame and covered in a vinyl fabric. Secured to the pavement with anchors driven into the asphalt and tied to the tube frame. Front opening has a zipper closure. Two Live News Vehicles will be kept inside. Gives protection from ice and snow.