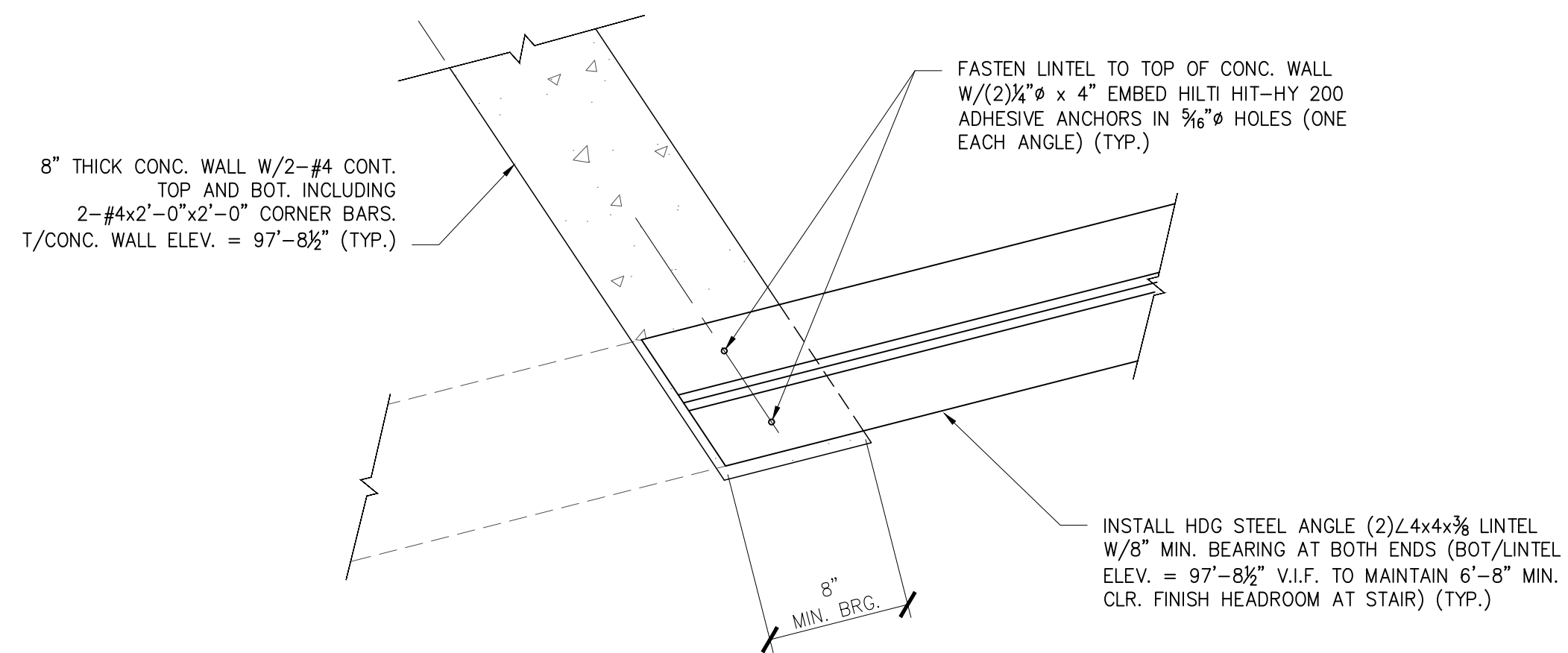
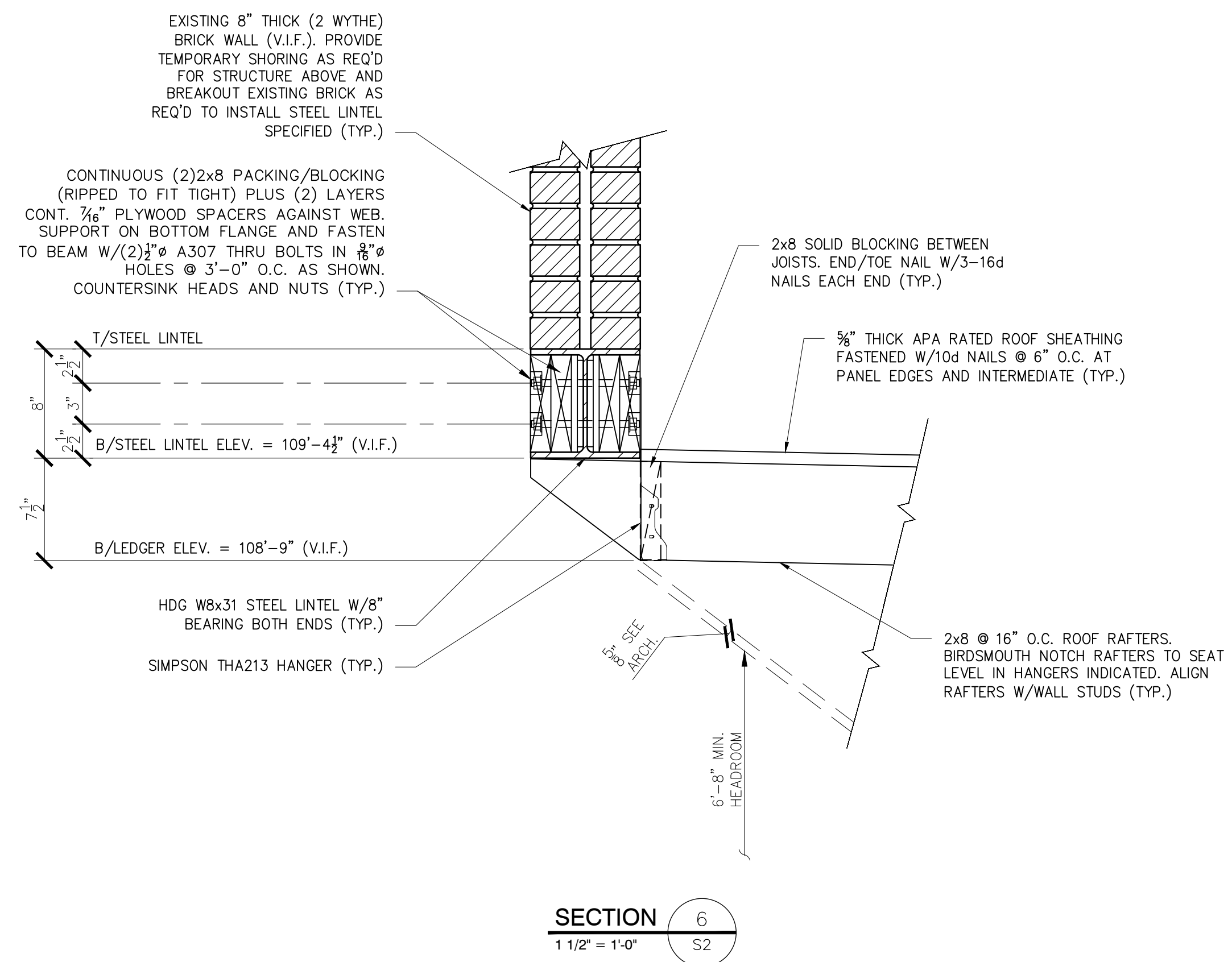
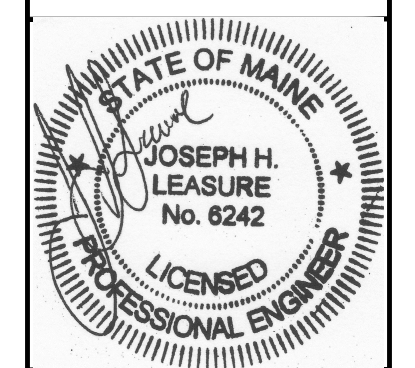


**PRELIMINARY
NOT FOR CONSTRUCTION**



**L & L STRUCTURAL
ENGINEERING SERVICES, INC.**
SIX Q STREET
SOUTH PORTLAND, MAINE 04106
PHONE: (207) 767-4830
FAX: (207) 799-5432
EMAIL: JLEASURE@L-L-ENG.COM



rev.	date	description	drawn by	checked by	date	plot date	project #
A	05/11/17	FOR PERMIT AND PRICING	JHL			05/03/2017	2018-211A

**BUILDING LOCATED AT
602 CONGRESS STREET
PORTLAND, MAINE
EXTERIOR STAIR ENCLOSURE
SECTIONS AND DETAILS**

S4

THESE DRAWINGS HAVE BEEN DEVELOPED BY L&L STRUCTURAL ENGINEERING SERVICES, INC. FOR THE TITLED SET ONLY. THE DRAWINGS ARE THE SOLE PROPERTY OF L&L ENGINEERING SERVICES, INC. AND THEY SHALL NOT BE USED, LENT, COPIED OR ALTERED WITHOUT THE WRITTEN CONSENT OF L&L STRUCTURAL ENGINEERING SERVICES, INC.