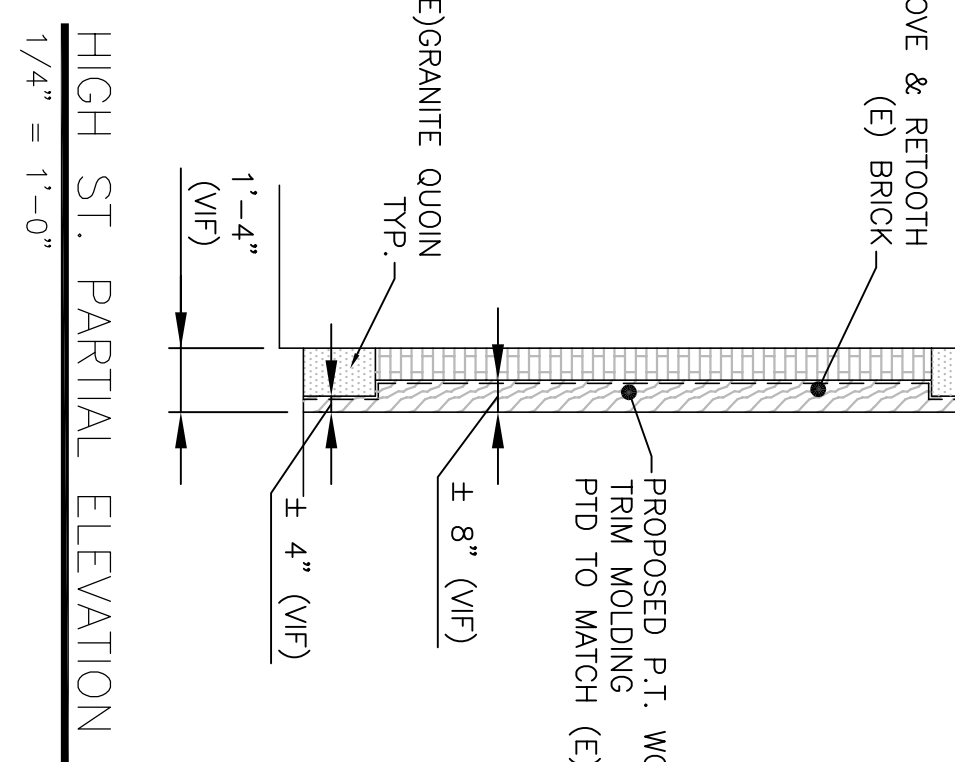


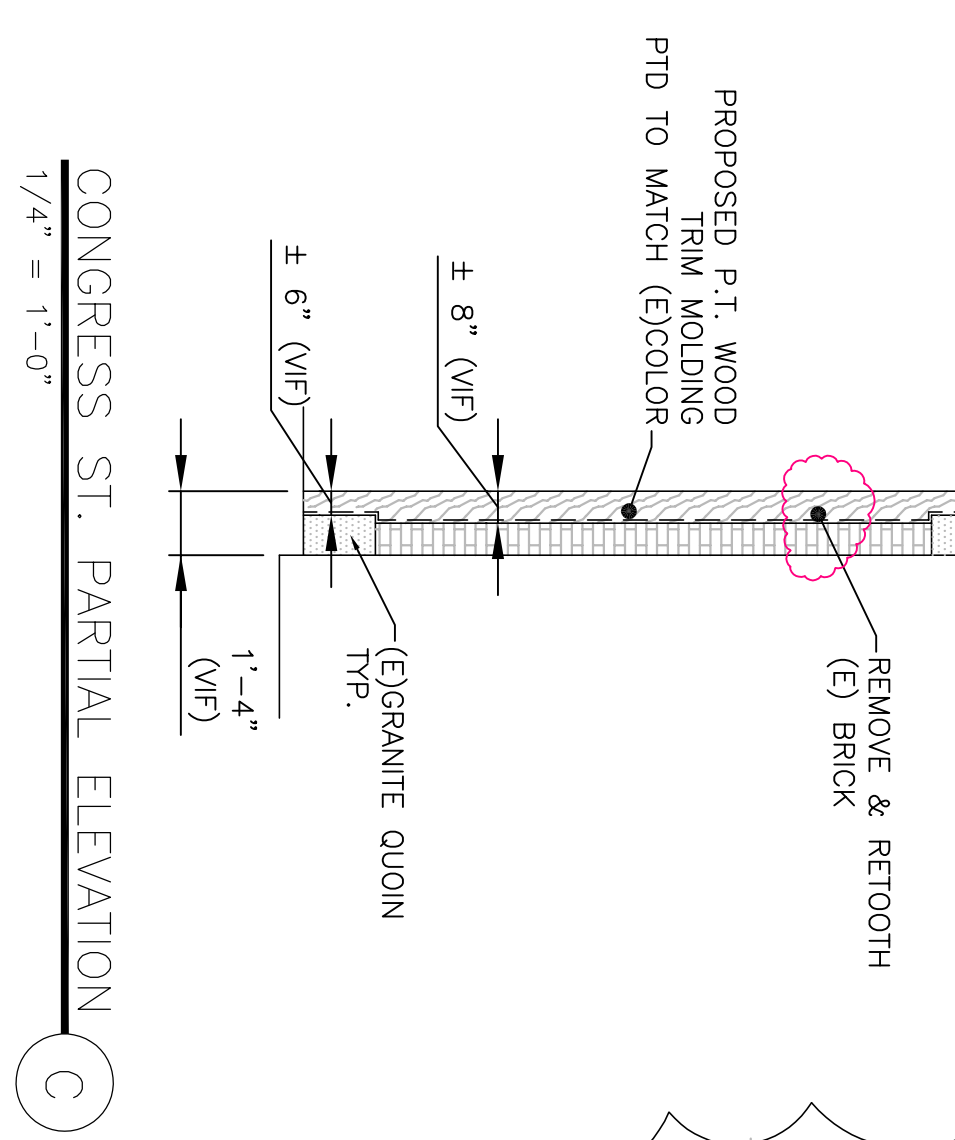
NOTES

1. REMOVE EXISTING METAL FIRE ESCAPE, BAY WINDOW AND ROOF CANOPY. REMOVE DEBRIS FROM SITE. FILL ALL HOLES WITH HISTORIC MORTAR. NEW BRICK SHALL BE APPROVED BY THE CITY HISTORIC PRESERVATION PRIOR TO ORDERING OR INSTALLATION.
2. REMOVE EXISTING BRICK CHIMNEY REMNANTS AND RE-TOOTH WALL BRICK TO MATCH.
3. REMOVE EXISTING IRON BARS FROM (E)WINDOWS.
4. REMOVE EXISTING EXTERIOR PING, VENTS ETC IF NOT NEEDED. CONFIRM WITH MEP DWGS.
5. CLEAN PAINT FROM EXISTING GRANITE WINDOW HEADS AND SILLS AND RESTORE TO ORIGINAL NATURAL COLOR.
6. NEW GRANITE SILLS SHALL MATCH EXISTING COLOR AND SIZES. USE APPROVED HISTORIC MORTAR.
7. EXISTING BRICK WALLS SHALL BE CLEANED AND RE-POINTED. CONTRACTOR SHALL USE HISTORIC MORTAR AND APPROVED NEW FACE BRICK TO MATCH.
8. NEW EXTERIOR BRICK SHALL MATCH EXISTING IN COLOR, SIZE AND GROUT JOINT TYPES. SUBMIT SAMPLE NEW BRICK TO CITY FOR APPROVAL AND USE APPROVED HISTORIC MORTAR FOR ALL BRICK WORK.
9. EXISTING EXTERIOR WOOD WINDOW/DOOR TRIM SHALL BE PAINTED BLACK.

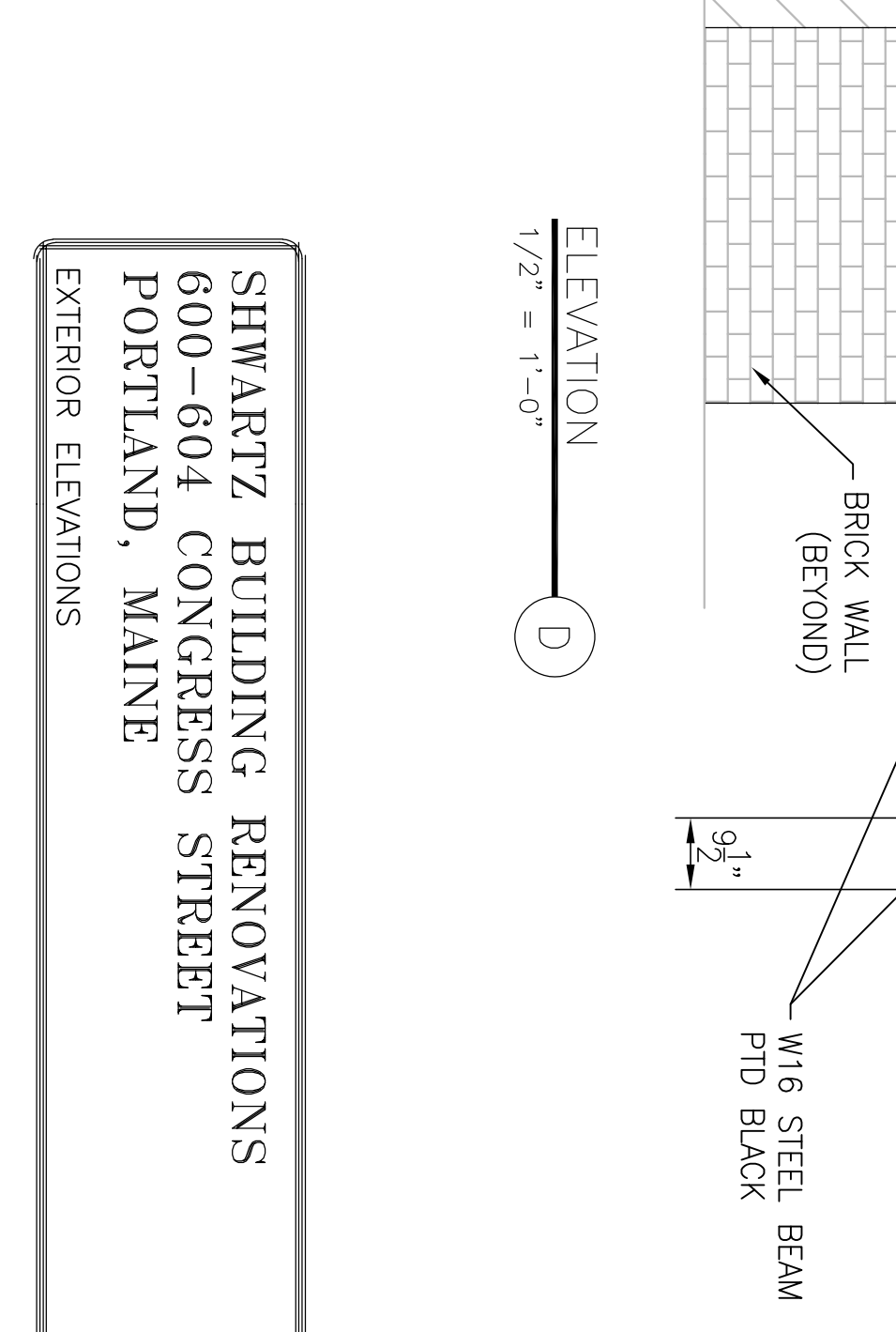
ELEVATION A
1/4" = 1'-0"



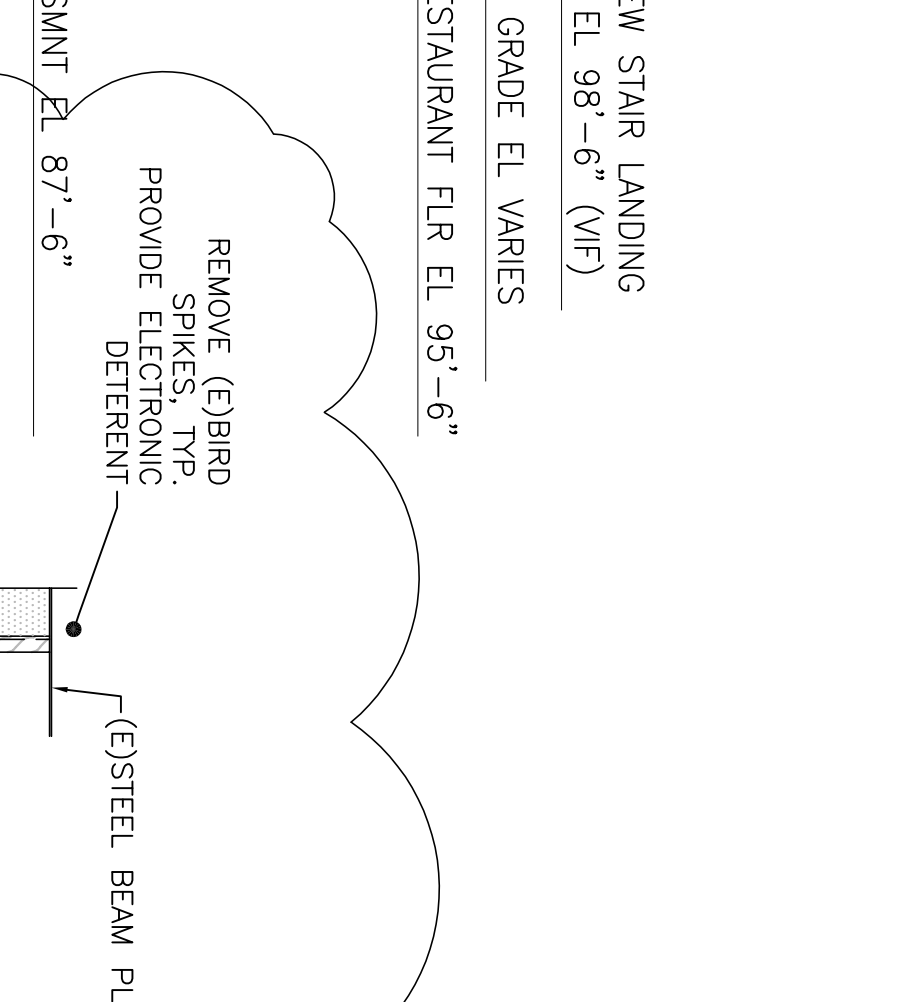
HIGH STREET ENTRY
1/4" = 1'-0"



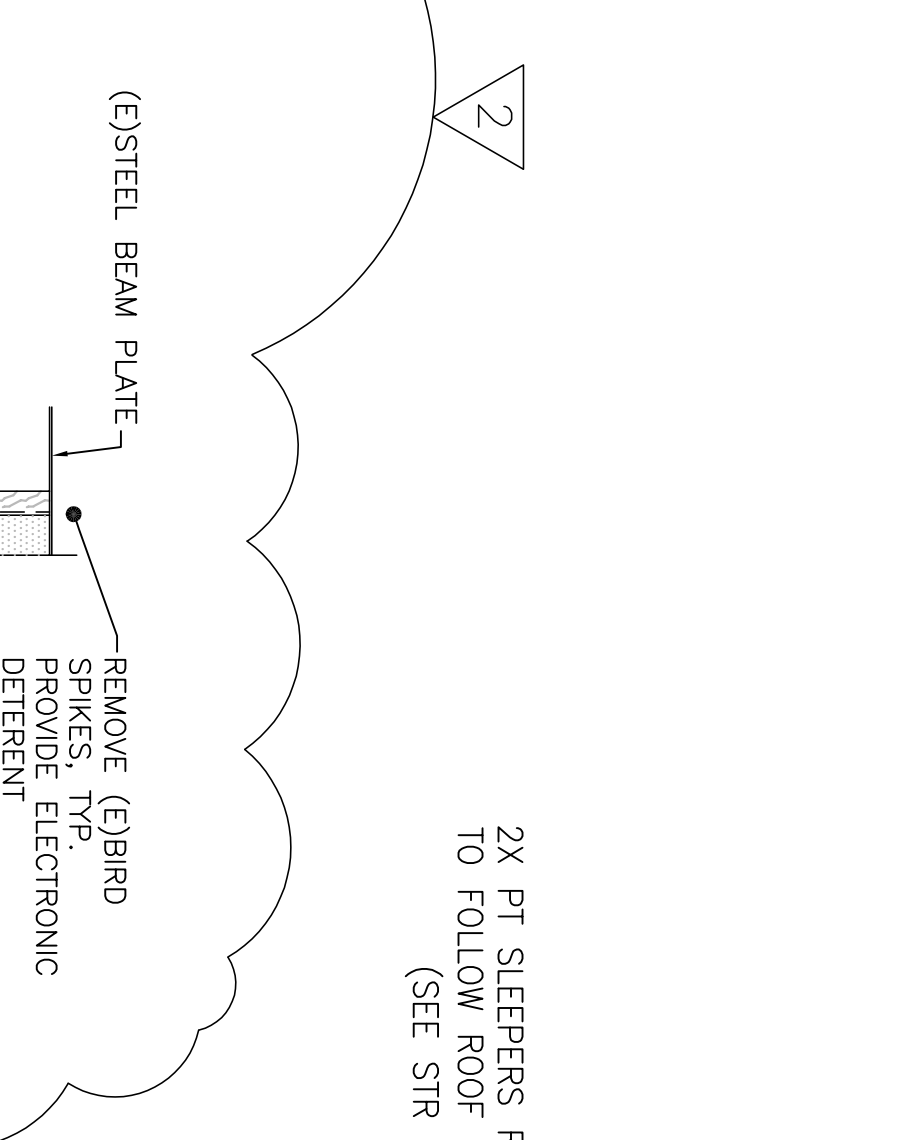
HIGH ST. PARTIAL ELEVATION
1/4" = 1'-0"



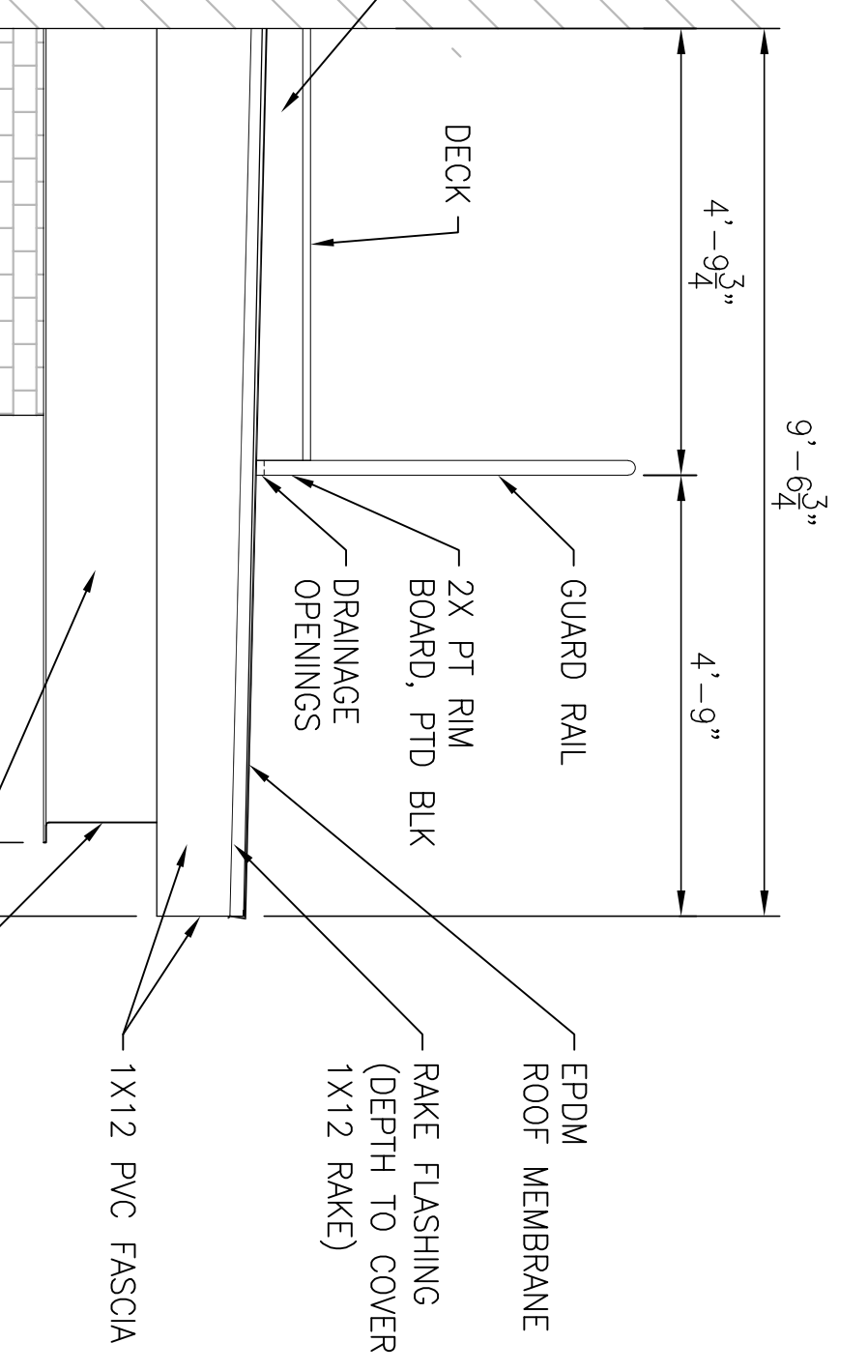
CONGRESS ST. PARTIAL ELEVATION
1/4" = 1'-0"



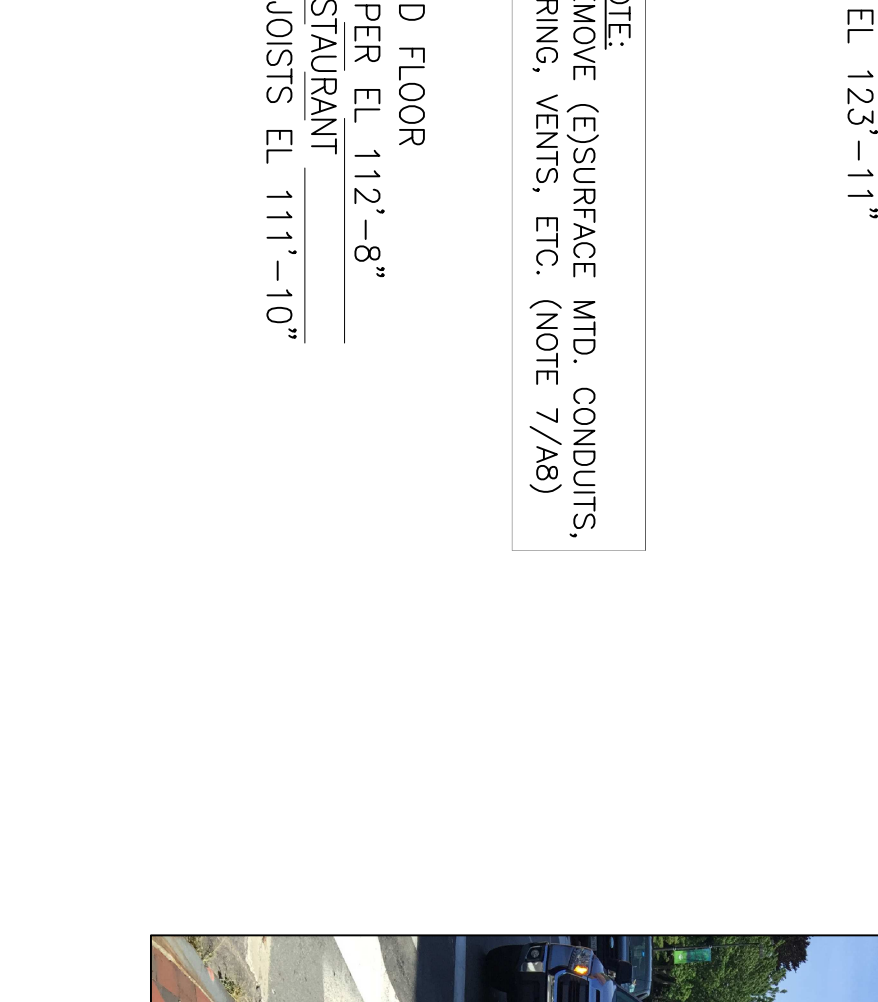
HIGH STREET VIEW
1/4" = 1'-0"



HIGH STREET VIEW
1/4" = 1'-0"



ELEVATION C
1/2" = 1'-0"
PARTIAL-HIGH STREET



ELEVATION D
1/2" = 1'-0"



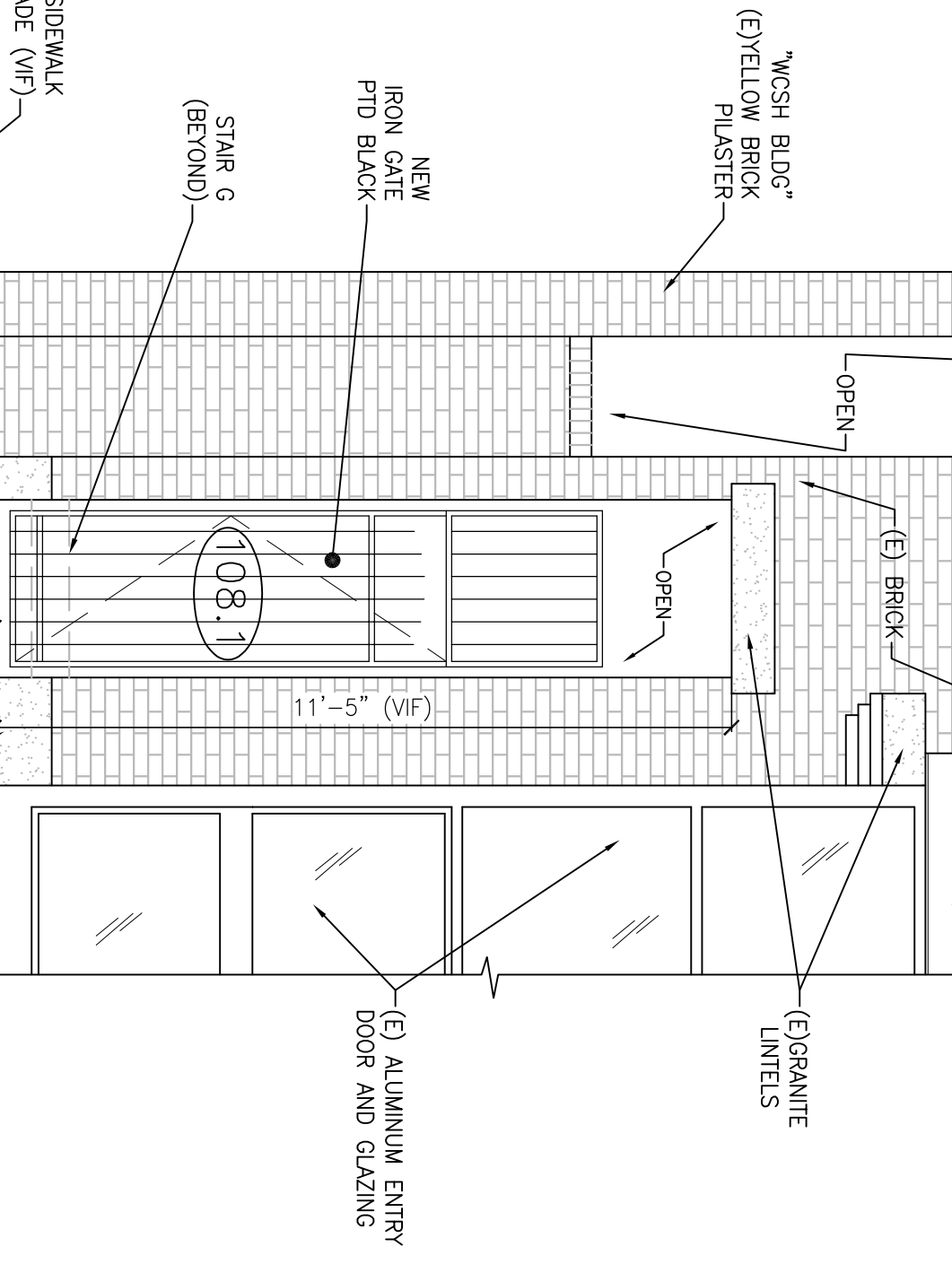
ELEVATION D
1/2" = 1'-0"



ELEVATION D
1/2" = 1'-0"



ELEVATION D
1/2" = 1'-0"



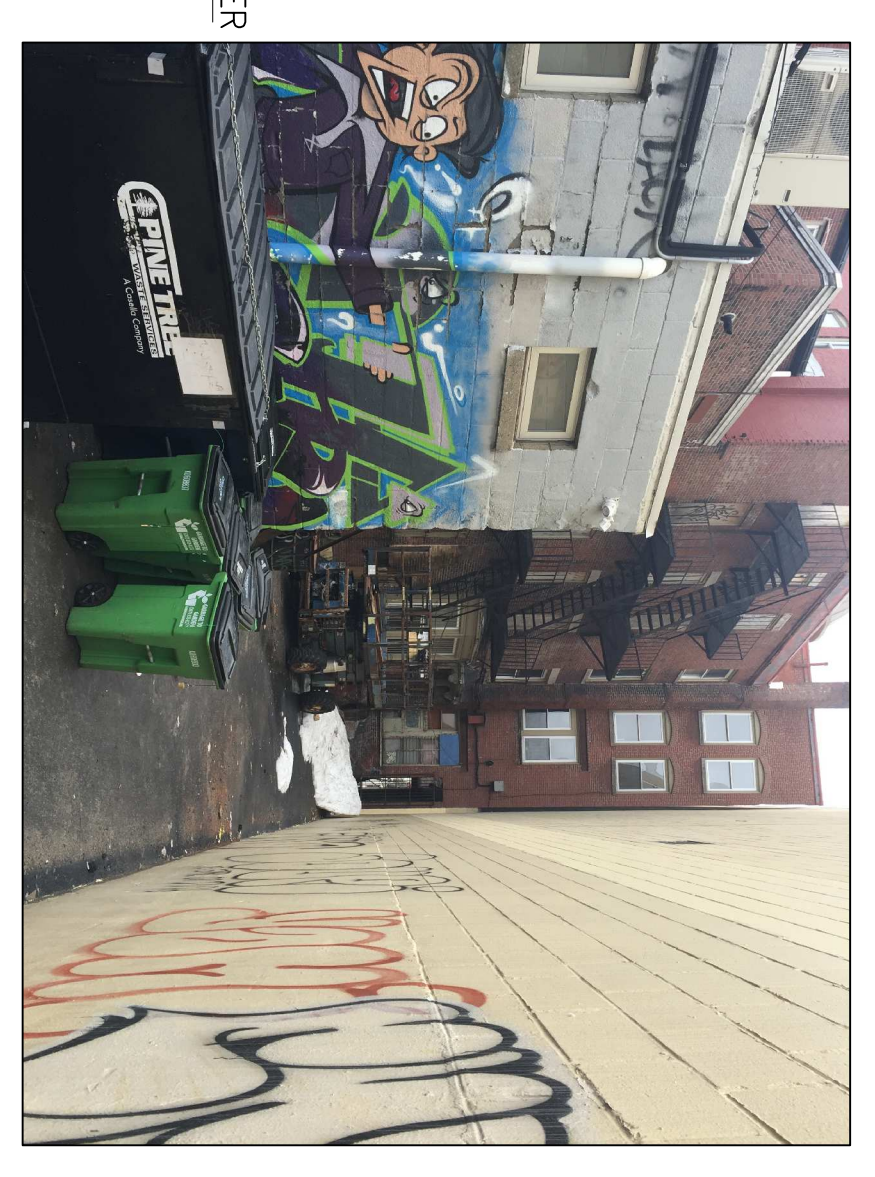
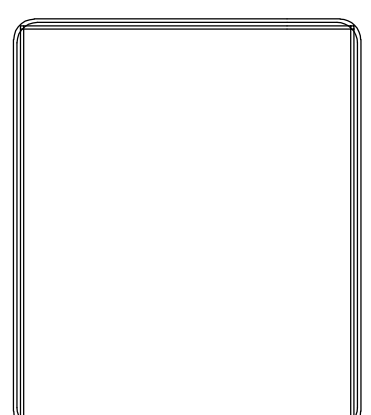
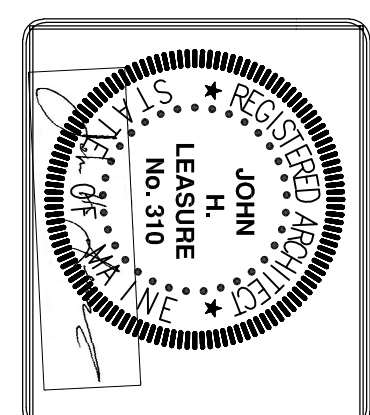
ELEVATION D
1/2" = 1'-0"

SHWARTZ BUILDING RENOVATIONS
600-604 CONGRESS STREET
PORTLAND, MAINE
EXTERIOR ELEVATIONS

A9

JOHN H. LEASURE ARCHITECT, INC.
6 Q STREET
SOUTH PORTLAND, MAINE 04106

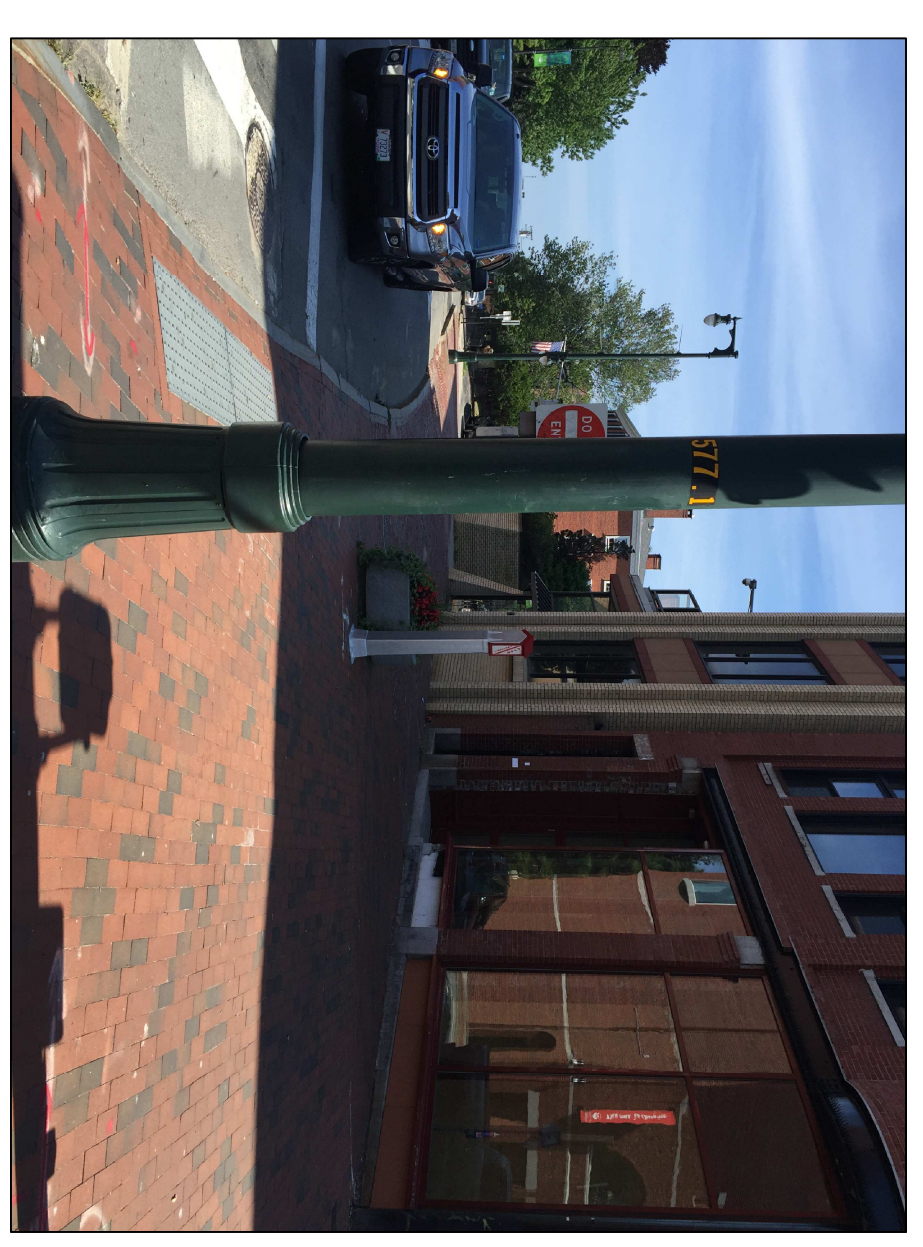
| REV. | DATE | STATUS |
|------|---------|-------------------------------|
| 1 | 3-30-17 | STATE FIRE MARSHAL SUBMISSION |
| 1 | 4-28-17 | SUBMITTED FOR PERMITS |
| 2 | 6-5-17 | REVISIONS |



PARK ST. PARKING AREA
ENTERED VIA PARK STREET



ALLEY ENTRY
HIGH STREET



HIGH STREET VIEW
ADJACENT WASH BUILDINGS