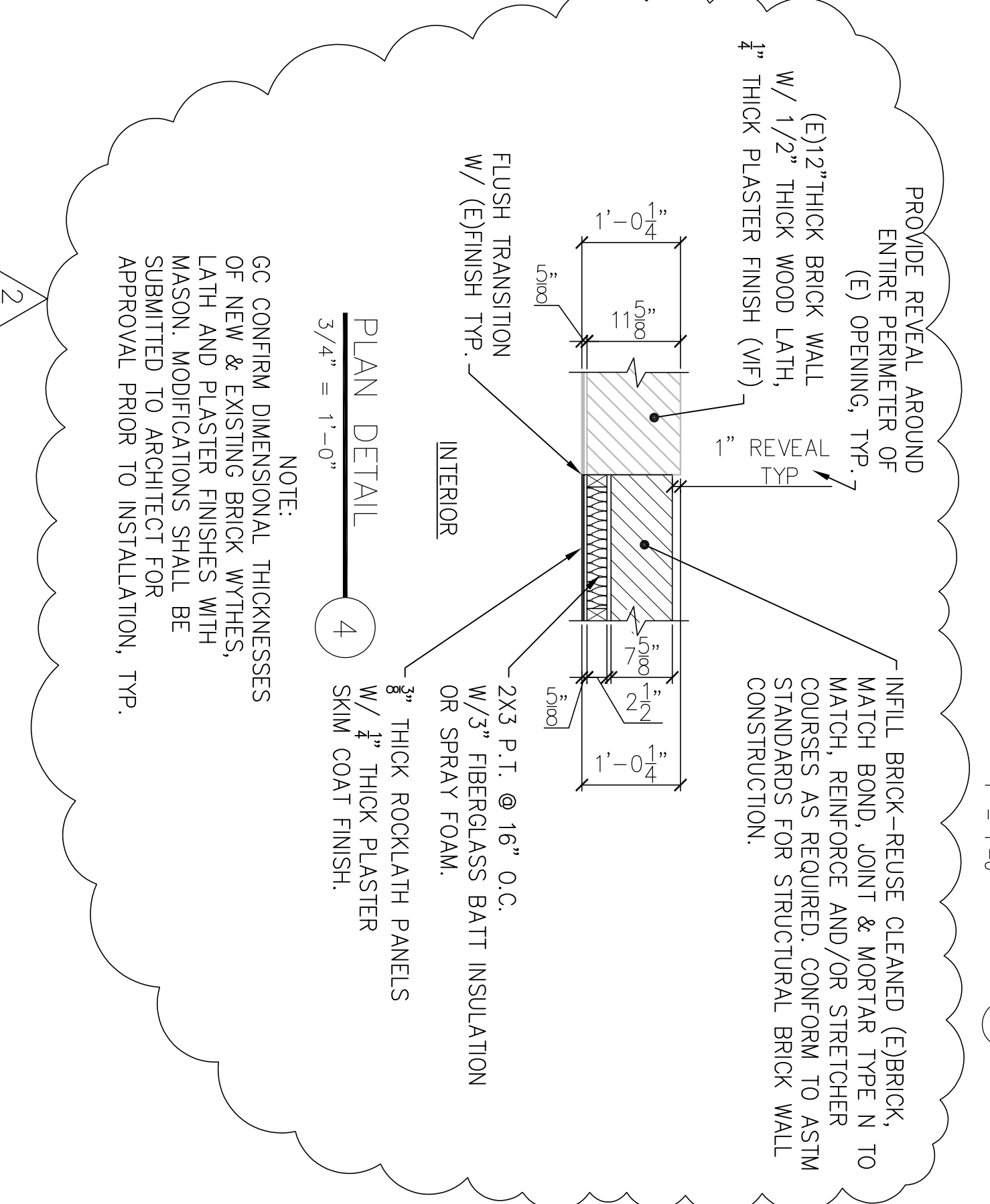
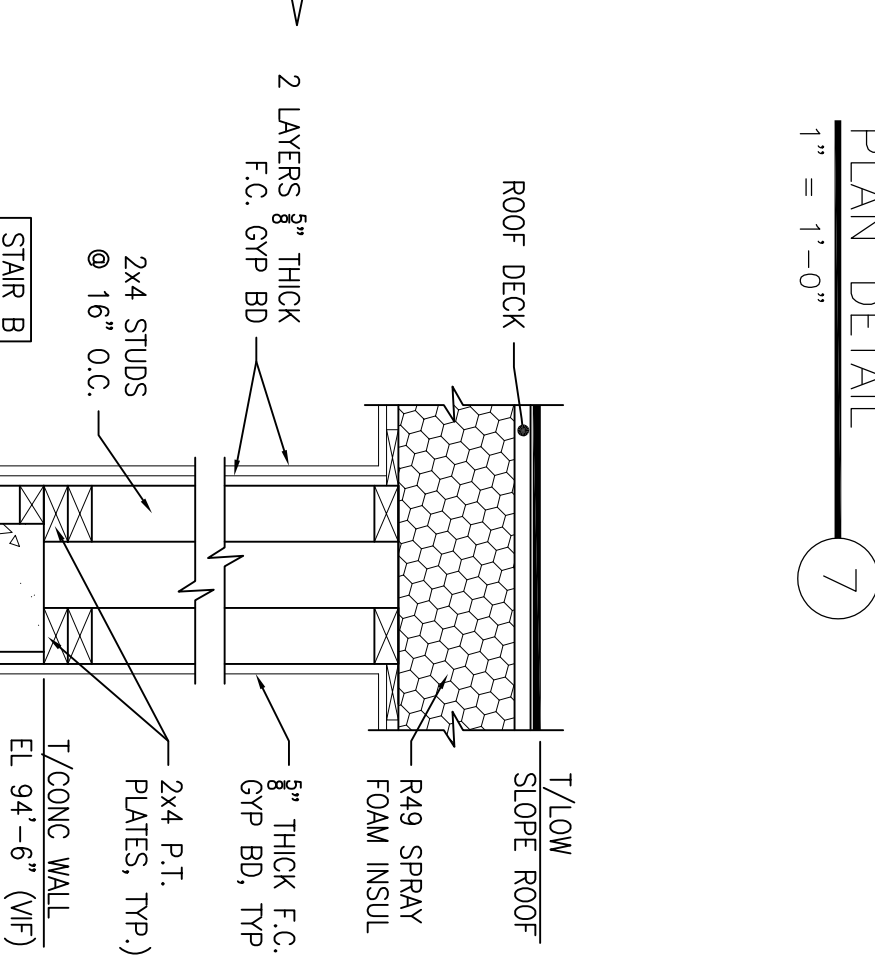
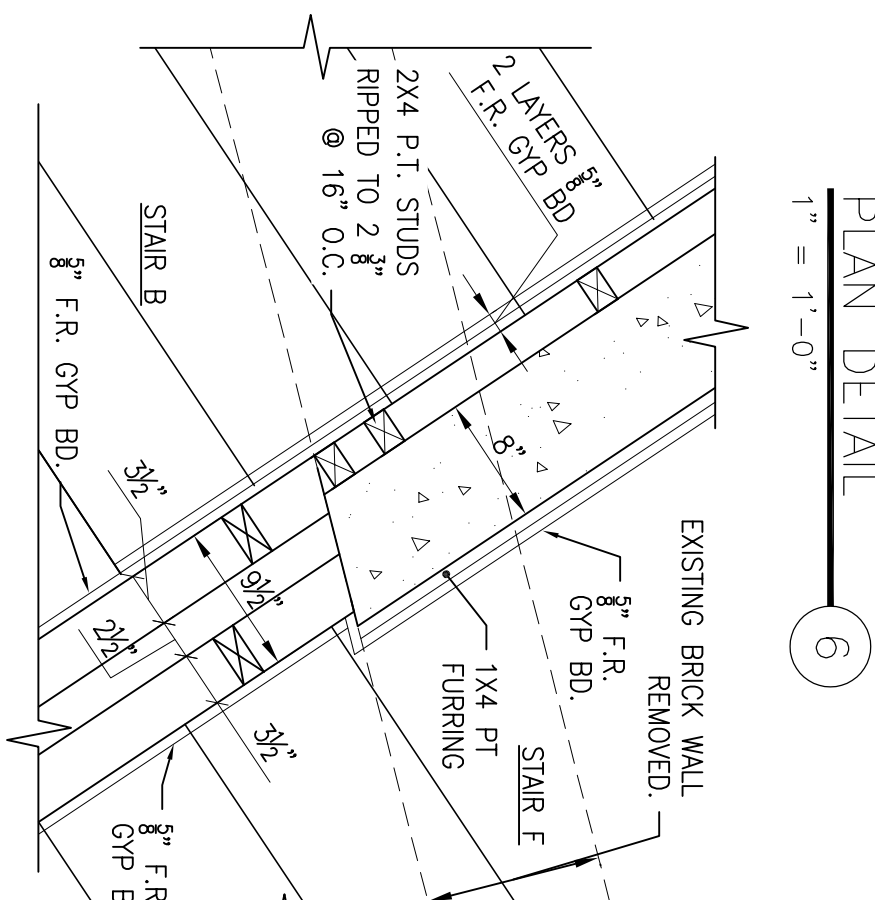
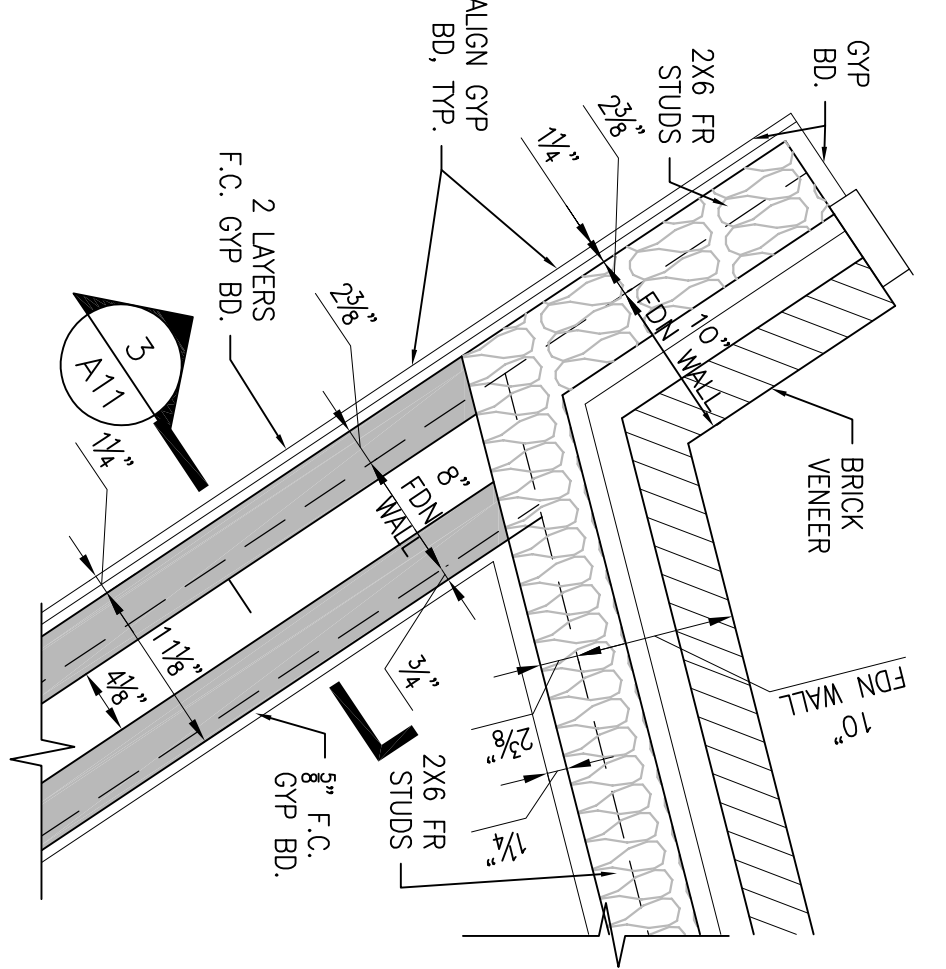
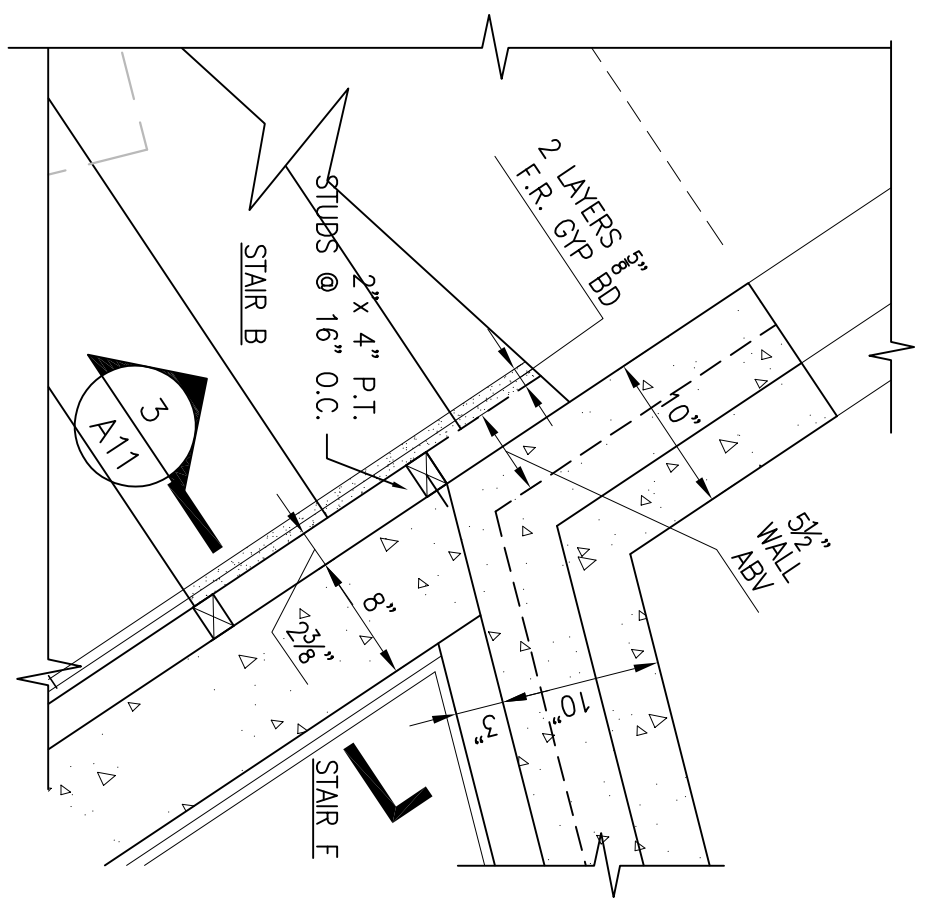
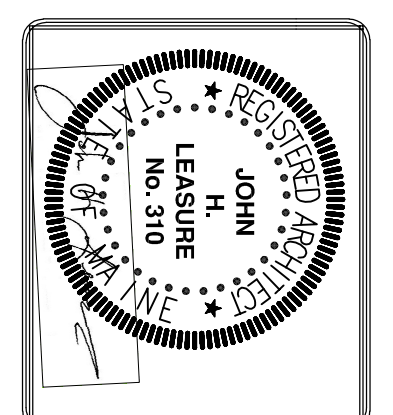


CROSS SECTION  
1/4" = 1'-0"  
2



REV.	DATE	STATUS
1	3-30-17	STATE FIRE MARSHAL SUBMISSION
2	4-28-17	SUBMITTED FOR PERMITS
3	8-15-17	REVISIONS



(E) 31 1/2" Guardrail Height on Landing

EXISTING - 4TH FLOOR STAIR

(E) 2'-11" Width

(E) 15 Risers ± 7 1/2" Riser Height

(E) 14 Treads ± 9 3/8" Tread Depth

(E) 1 1/2" Nosing

(E) 28" Guardrail Height on Stair

(E) 1 1/2" Nosing

(E) 30" Guardrail Height on Stair

Min. Height-Note 138/LS1)

EXISTING - 3RD TO 4TH STAIR

(E) 2'-11" Width

(E) 17 Risers ± 7 1/2" Riser Height

(E) 16 Treads ± 9 3/8" Tread Depth

(E) 1 1/2" Nosing

(E) 28" Guardrail Height on Stair

(E) 1 1/2" Nosing

(E) 30" Guardrail Height on Stair

Min. Height-Note 138/LS1)

EXISTING - 2ND TO 3RD STAIR

(E) 5'-3" to 5'-7" Width

(E) 7 Risers-Riser Height Varies 7 1/2" to 8 1/2"

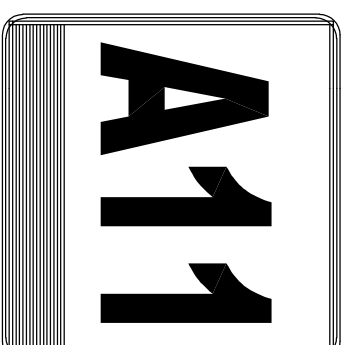
(E) 6 Treads-Tread Depth Varies 9" to 11"

New Handrails each side.

EXISTING - EXTERIOR STAIR H

1ST TO GRADE/SIDEWALK

SHWARTZ BUILDING RENOVATIONS  
600-604 CONGRESS STREET  
PORTLAND, MAINE  
BUILDING SECTION 2 - STAIR A



JOHN H. LEASURE ARCHITECT, INC.  
6 Q STREET  
SOUTH PORTLAND, MAINE 04106