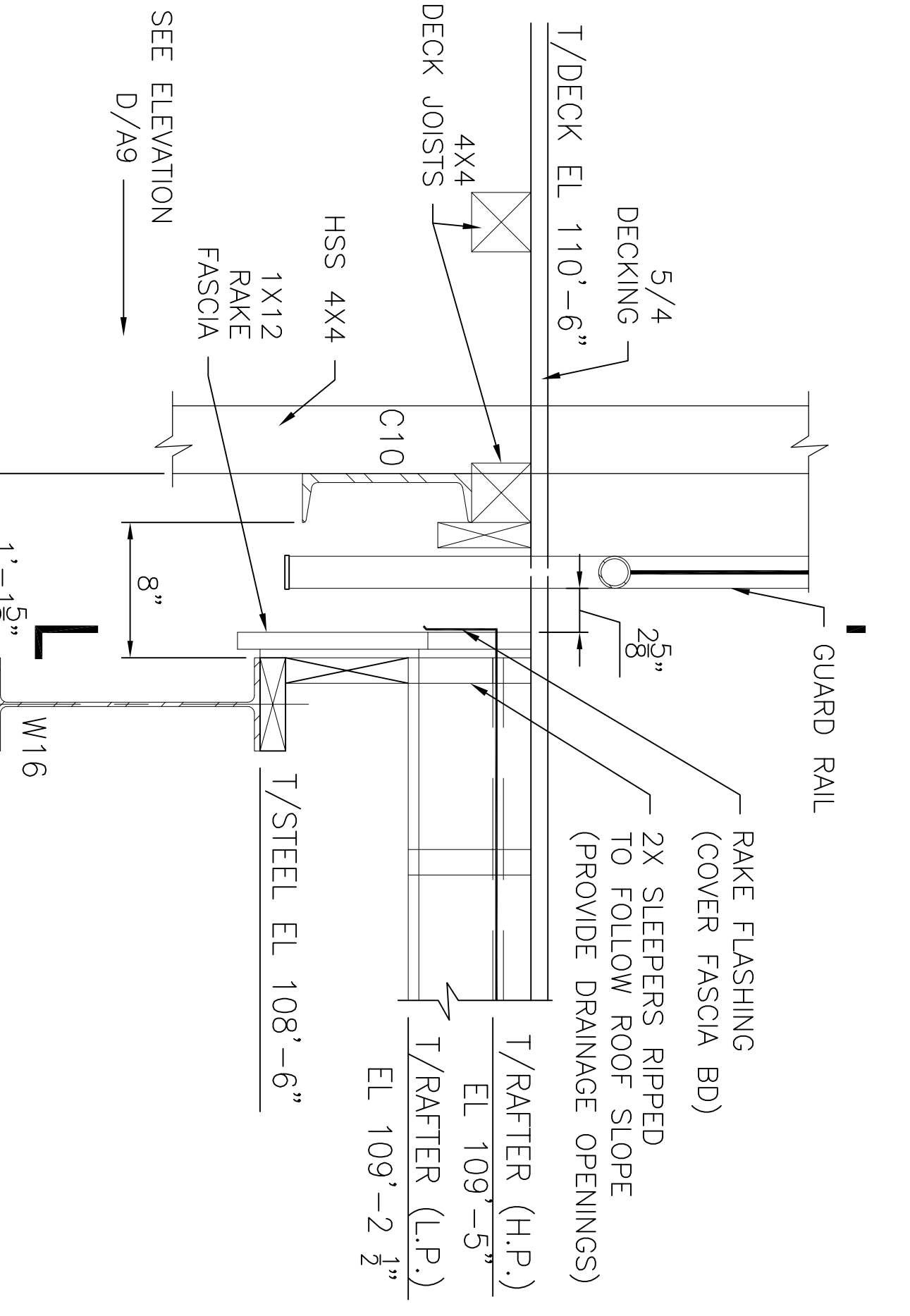
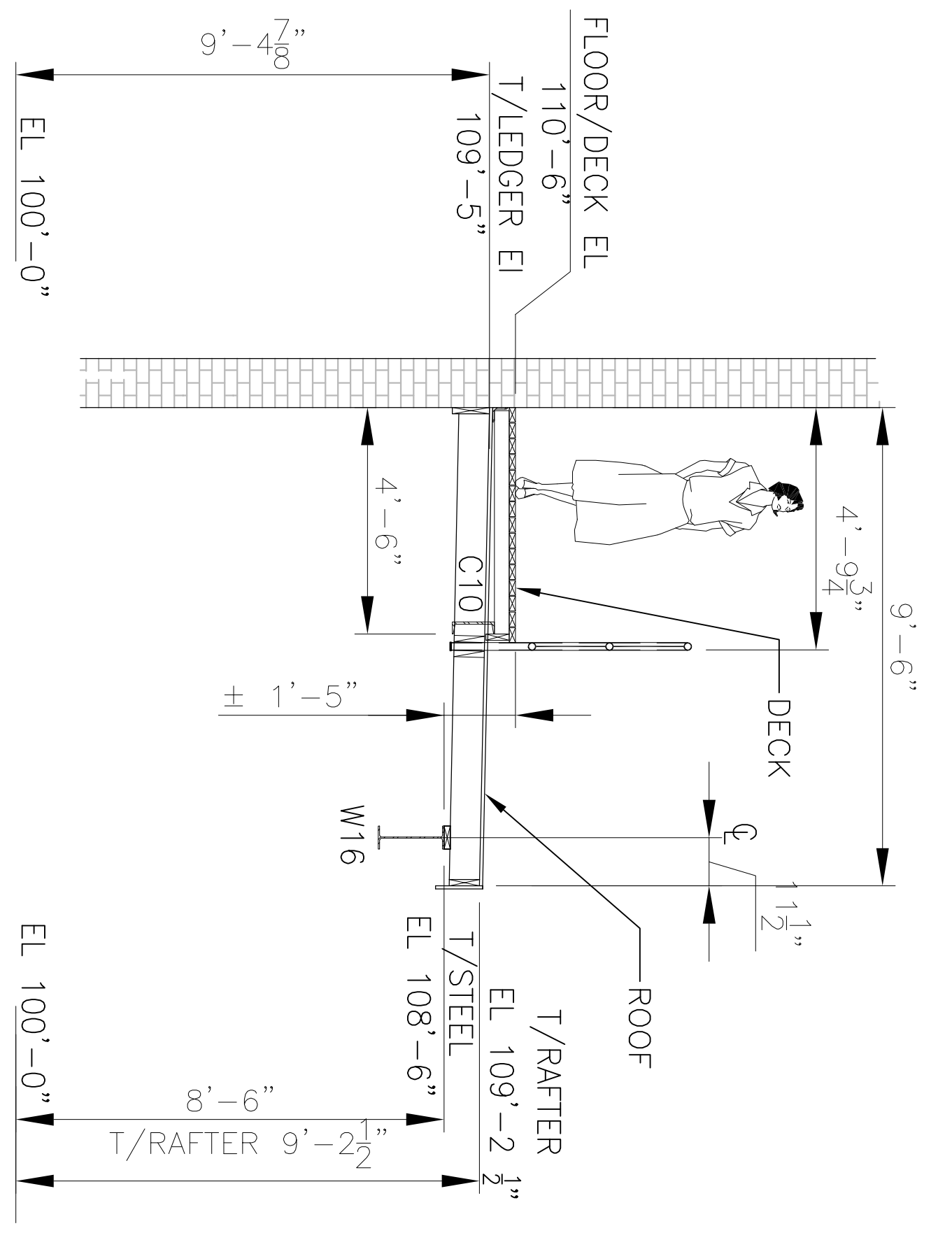


REFLECTED CEILING PLAN  
1/2" = 1'-0"

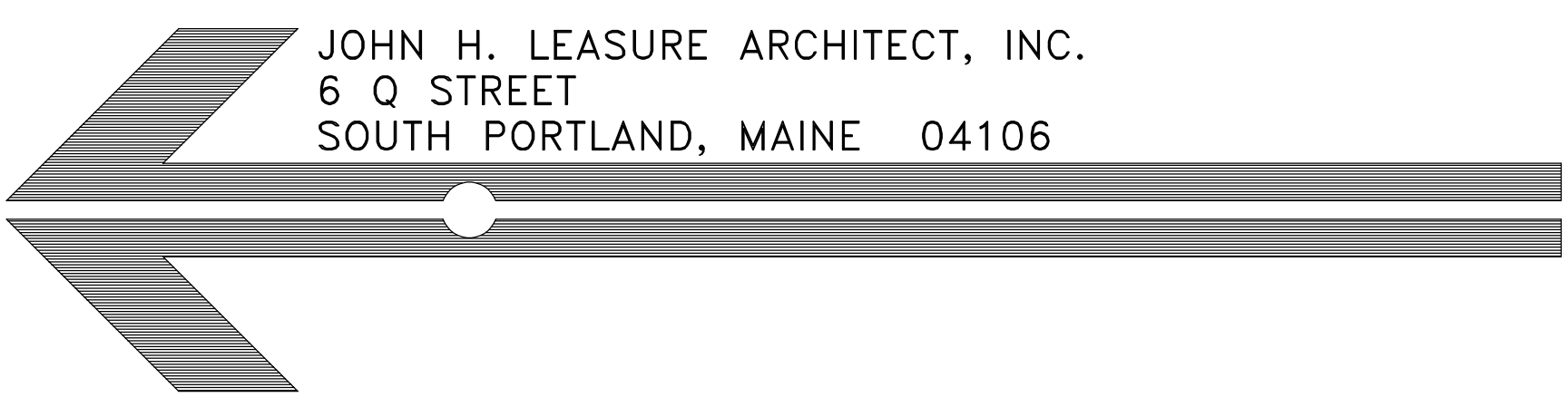
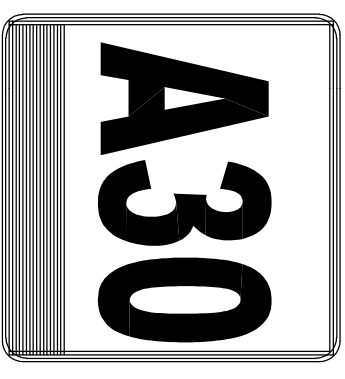


SECTION T  
1 1/2" = 1'-0"



SECTION V  
1/4" = 1'-0"

SHWARTZ BUILDING RENOVATIONS  
600-604 CONGRESS STREET  
PORTLAND, MAINE  
REFLECTED CEILING PLAN AND DECK SECTIONS



REV.	DATE	STATUS
1	4-28-17	SUBMITTED FOR PERMITS

