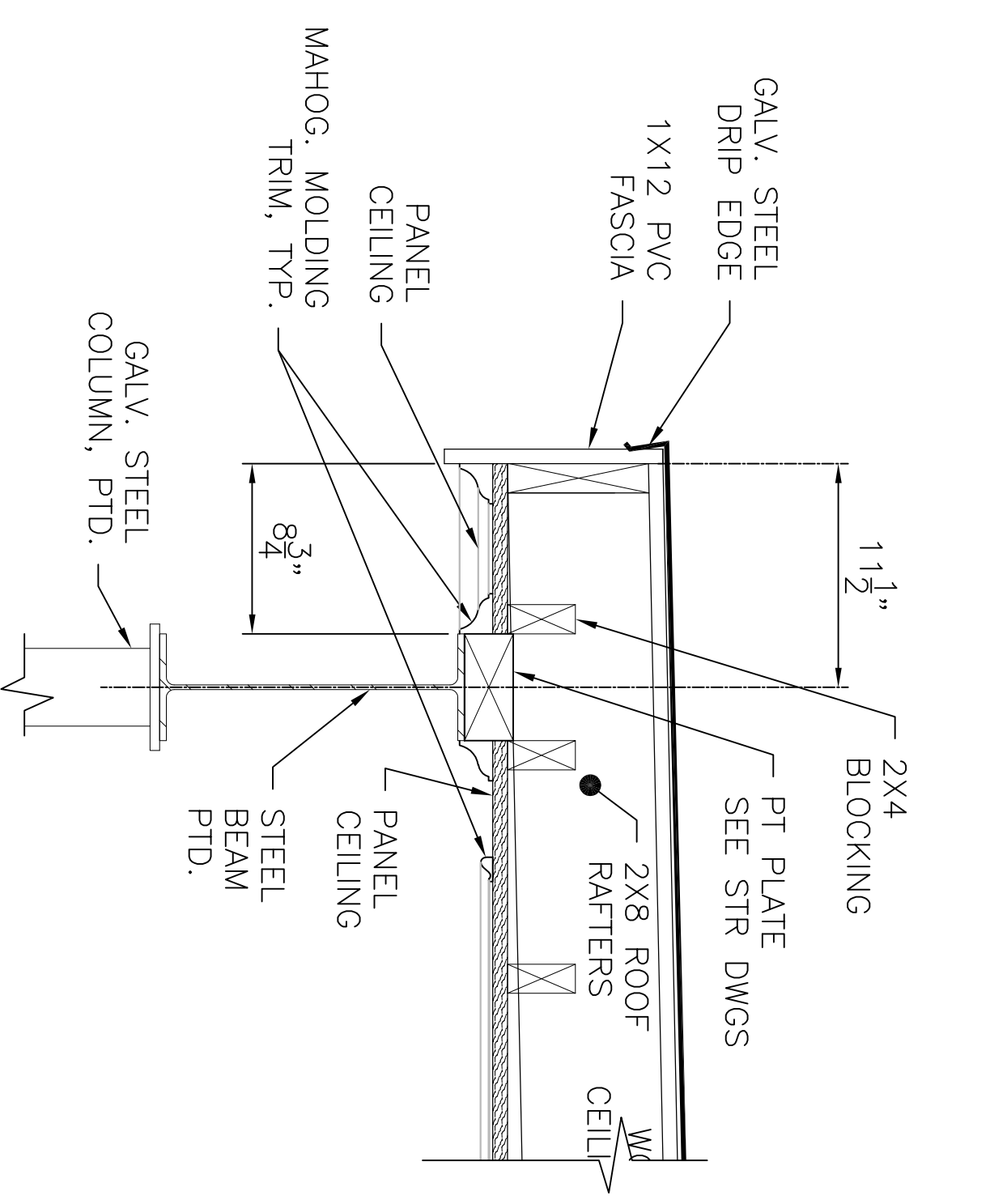
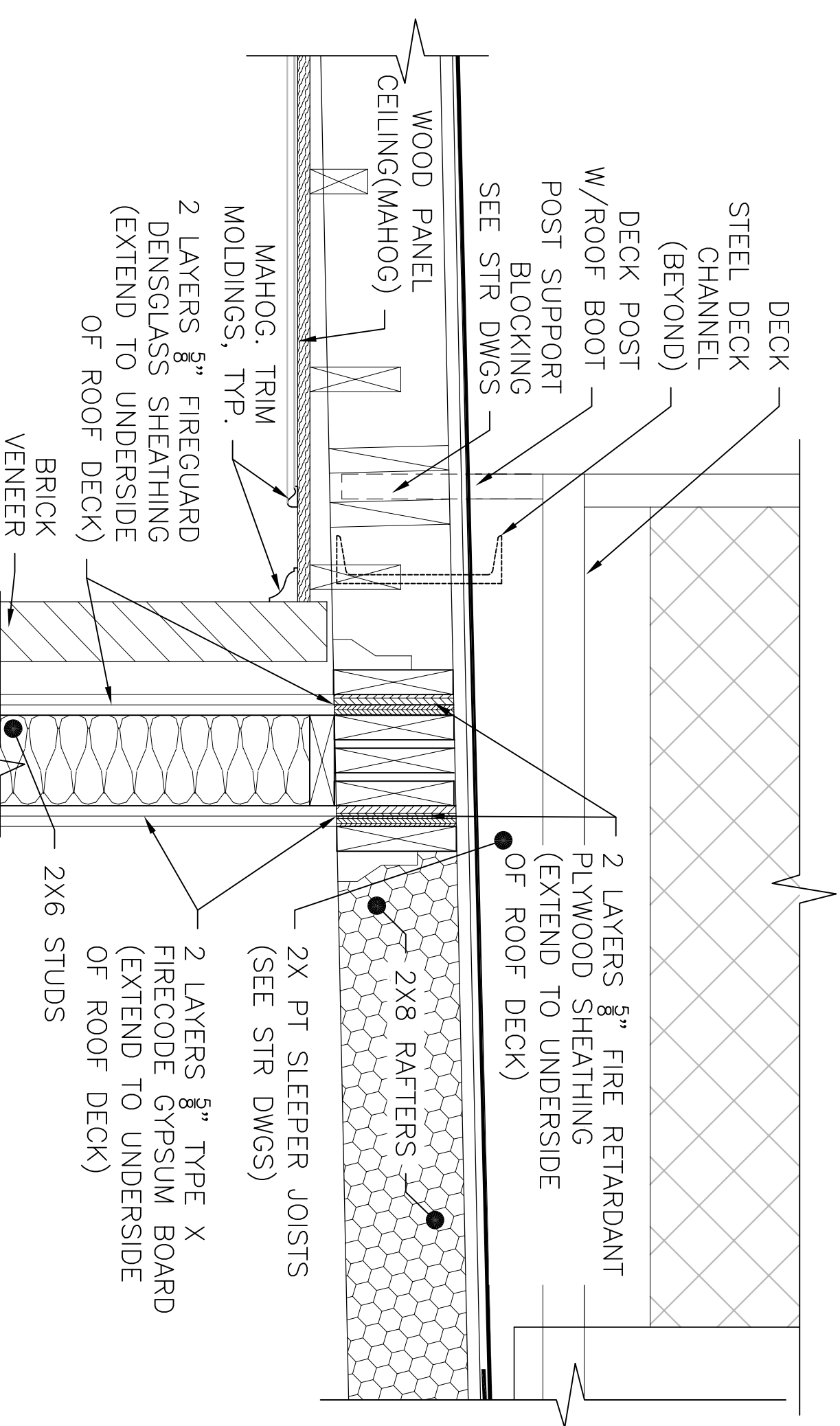


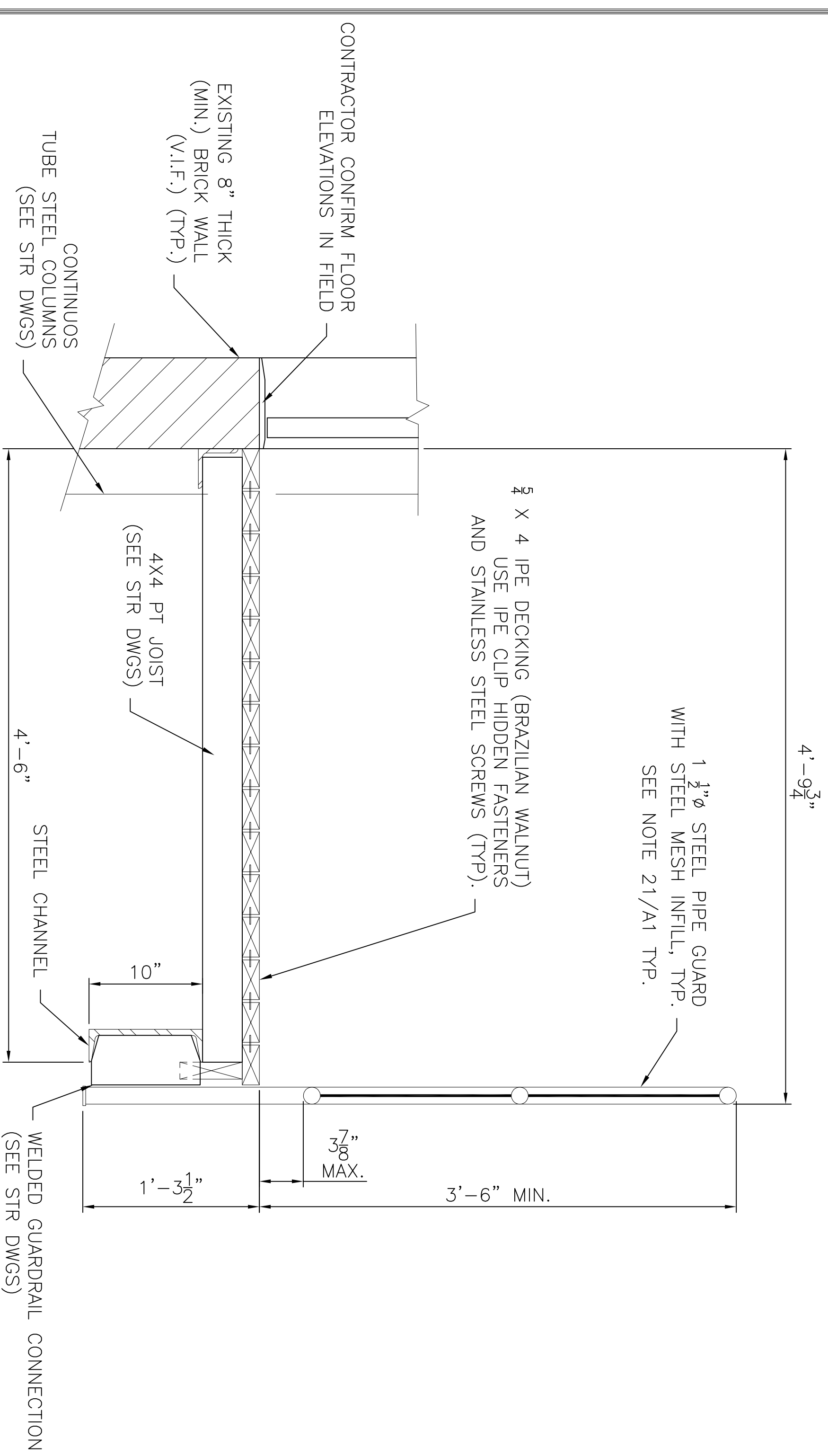
DETAIL A
1 1/2" = 1'-0"
DWG A13



DETAIL B
1 1/2" = 1'-0"
DWG A12

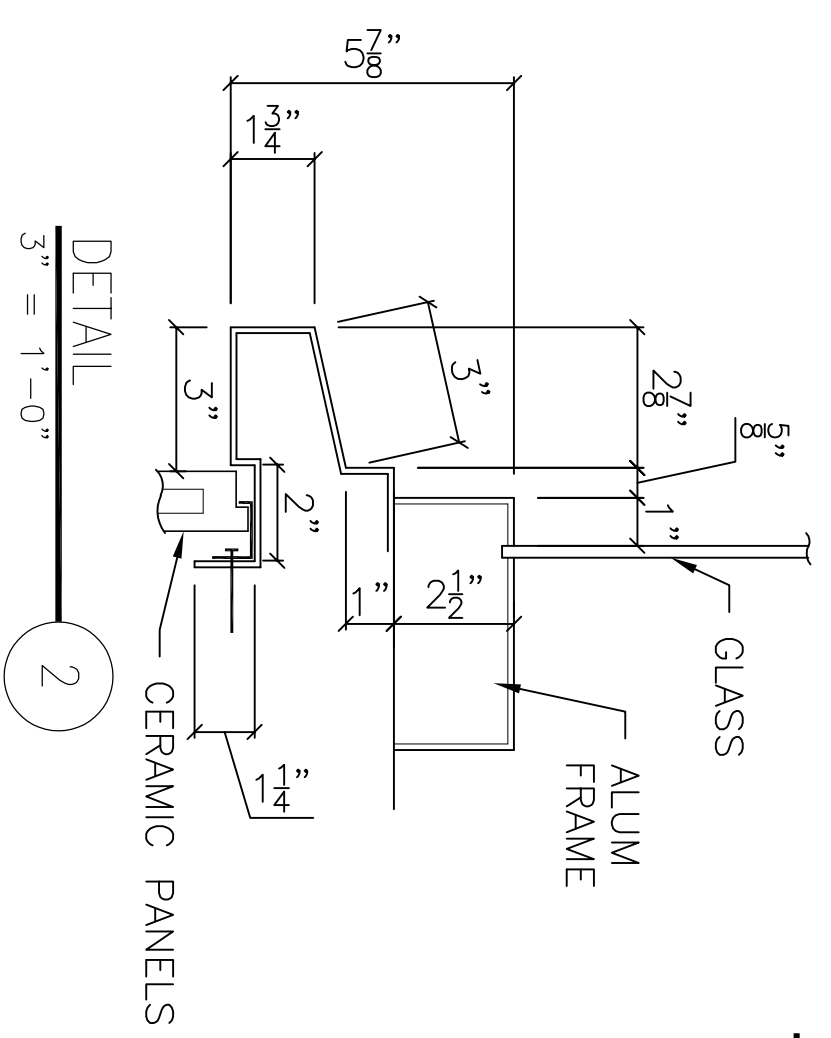


DETAIL C
1 1/2" = 1'-0"
DWG A13

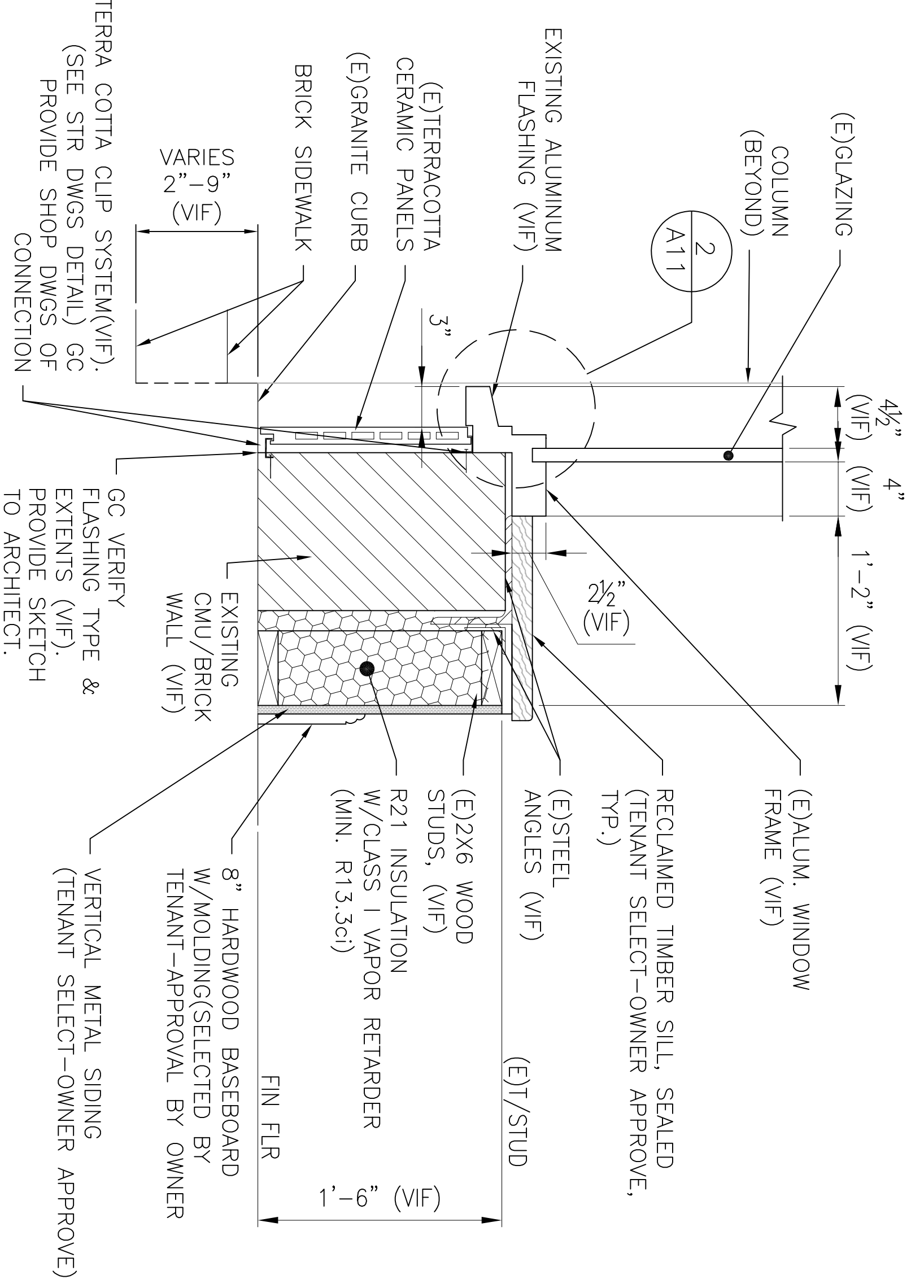


SECTION 1
1 1/2" = 1'-0"
1

- NOTES:
1. CONTRACTOR PROVIDE SHOP DRAWINGS OF GUARD RAIL AND STRUCTURAL STEEL CONNECTIONS.
 2. SEE STRUCTURAL DRAWINGS FOR STEEL FRAMING, WELDS AND FASTENING



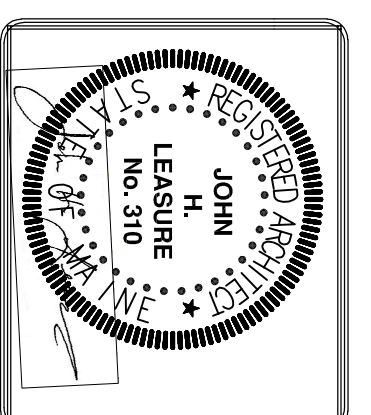
DETAIL 2
3" = 1'-0"



SECTION 3
1 1/2" = 1'-0"

SHWARTZ BUILDING RENOVATIONS
600-604 CONGRESS STREET
PORTLAND, MAINE
DETAILS

REV.	DATE	STATUS
.	3-30-17	STATE FIRE MARSHAL SUBMISSION
1	4-28-17	SUBMITTED FOR PERMITS



JOHN H. LEASURE ARCHITECT, INC.
6 Q STREET
SOUTH PORTLAND, MAINE 04106

