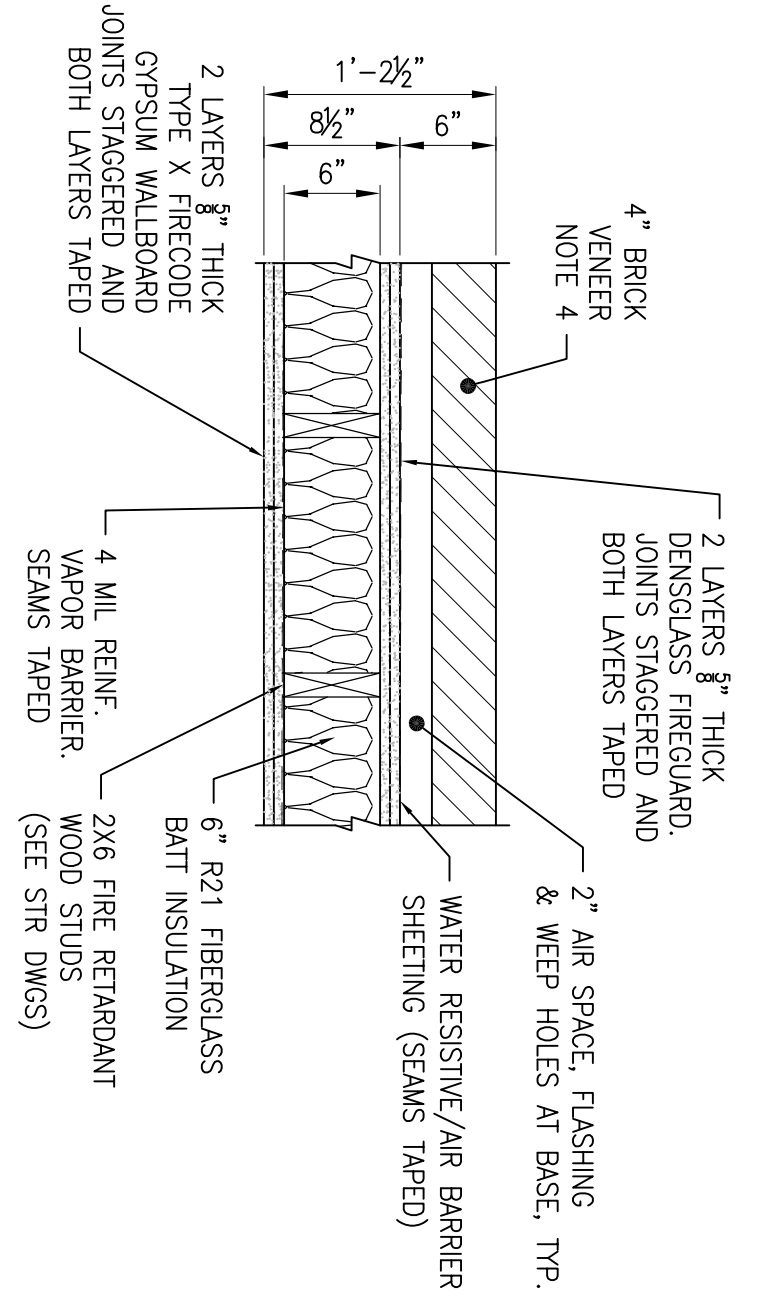
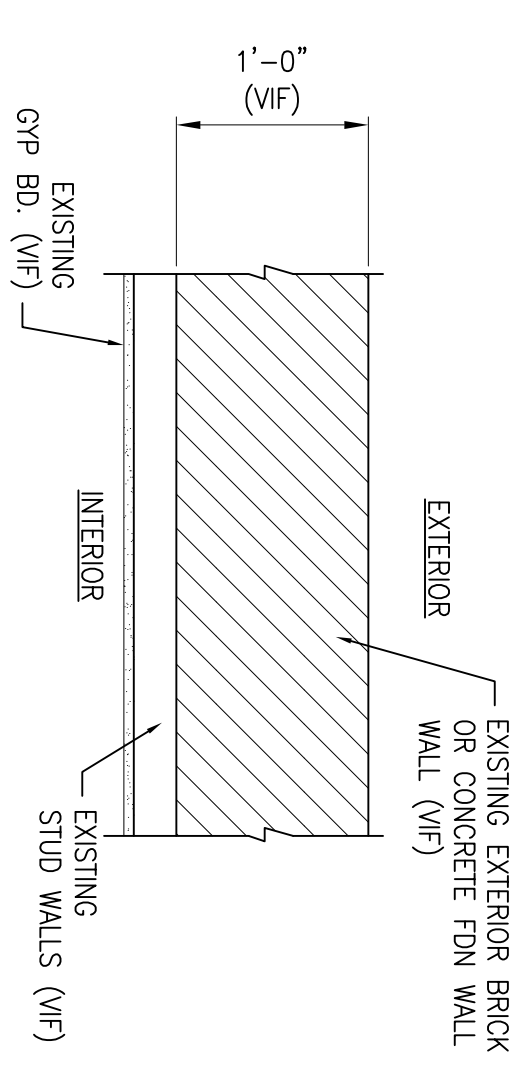


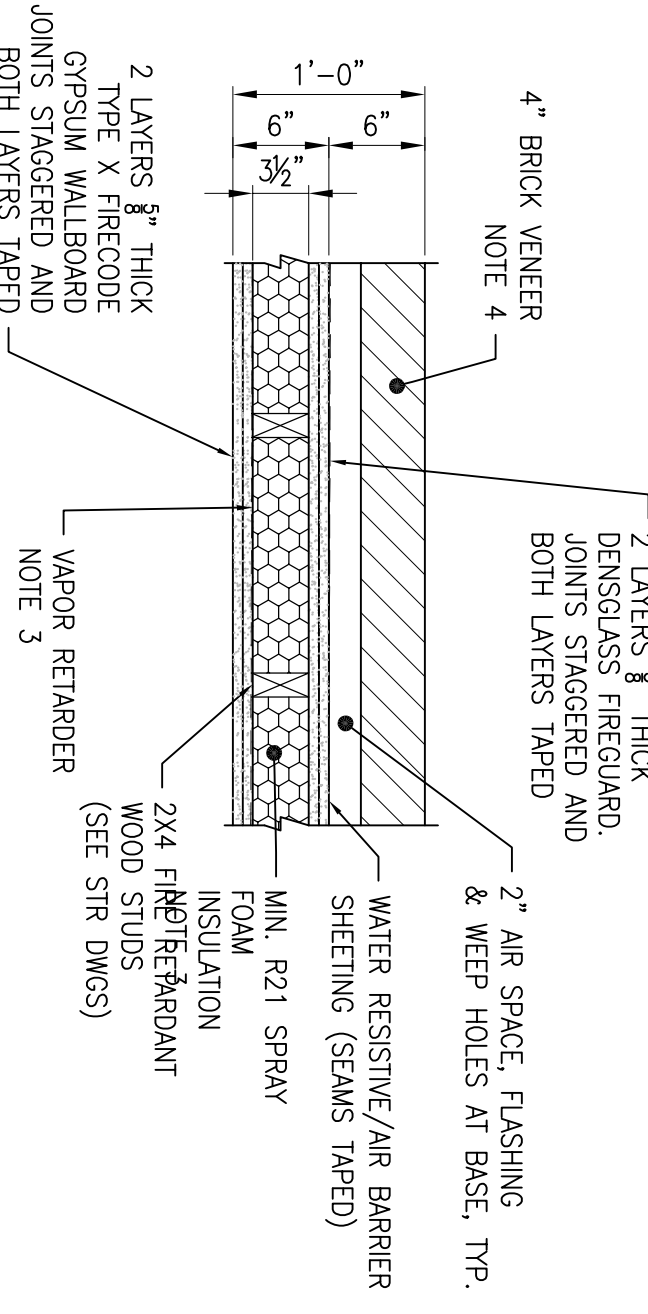
SECTION 3/A14
WALL TYPE - EXTERIOR



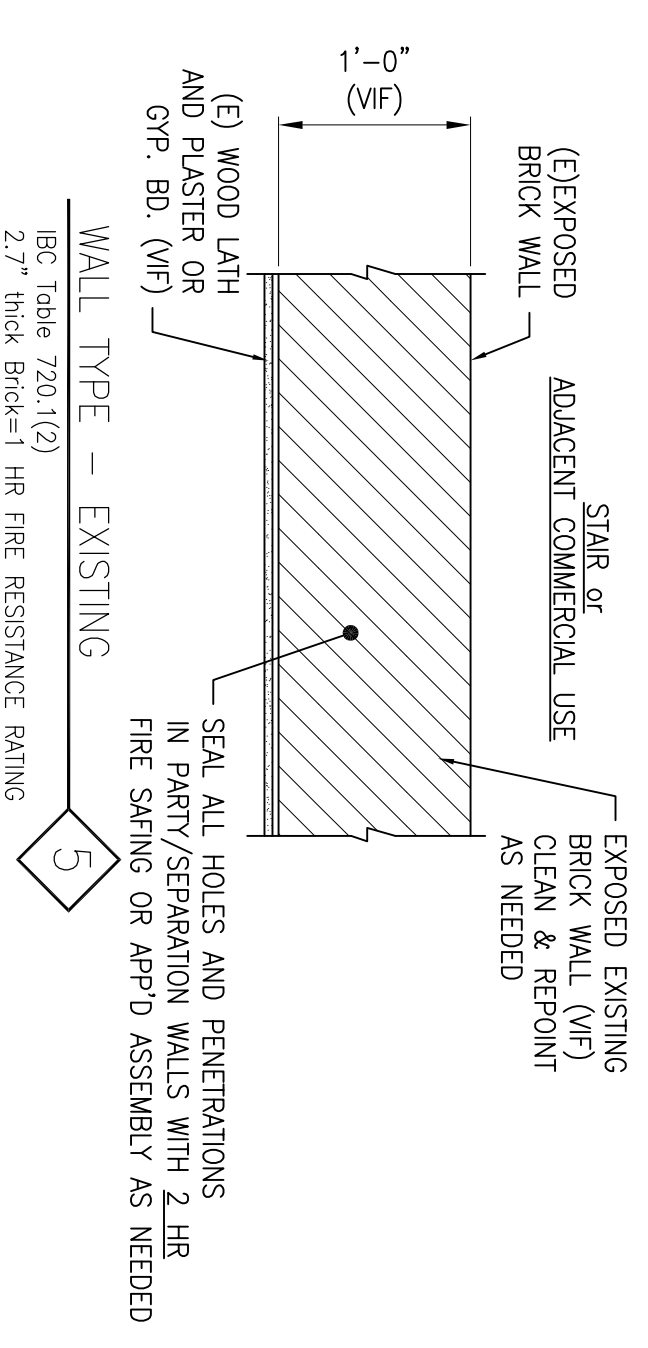
2HR FIRE RESISTANCE RATED
UL DESIGN NO. U423
WALL TYPE - EXTERIOR



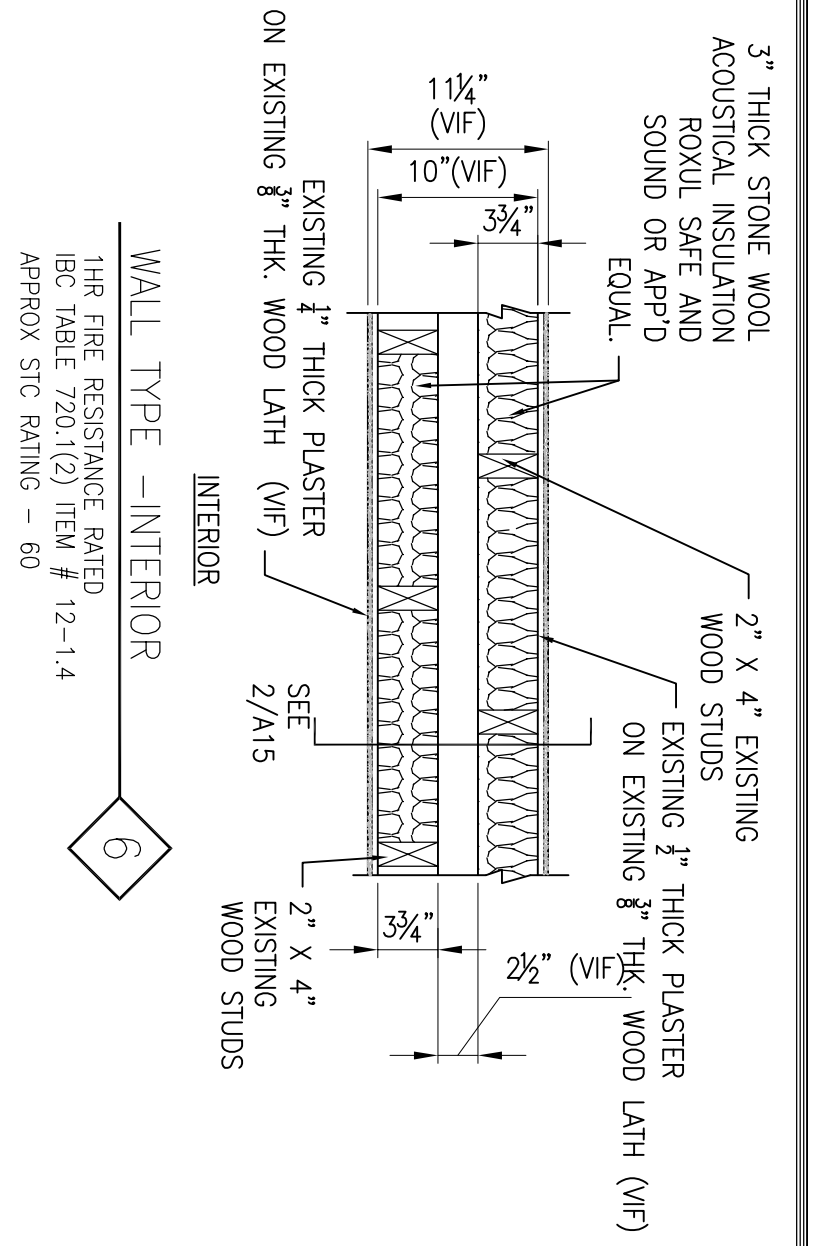
WALL TYPE - EXTERIOR



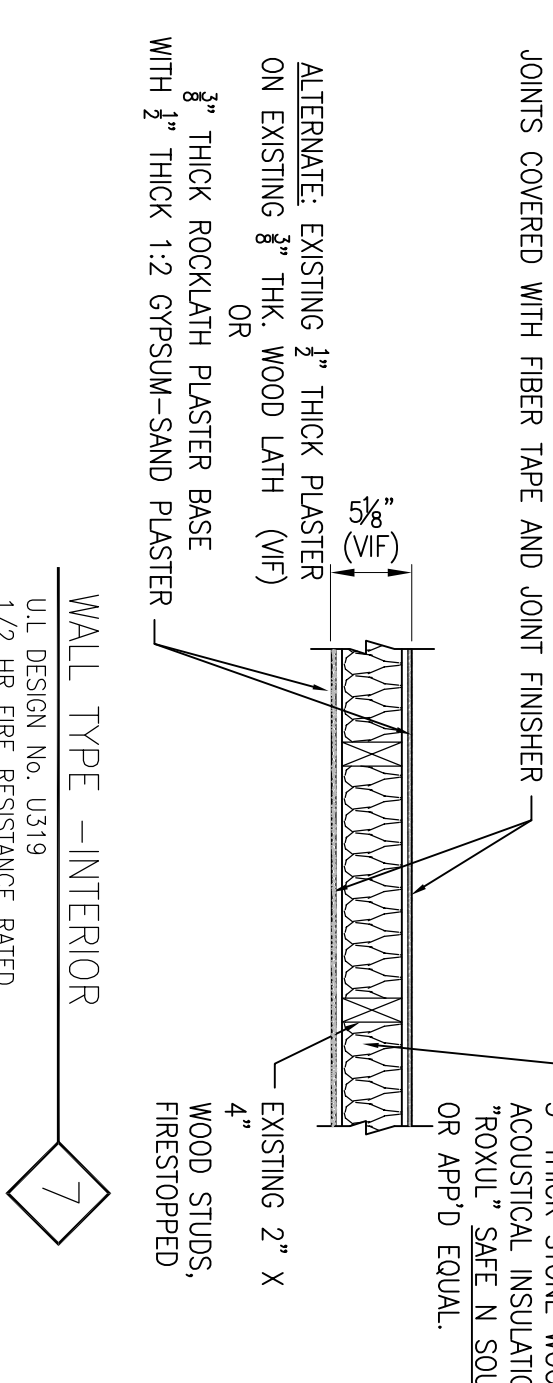
2HR FIRE RESISTANCE RATED
UL DESIGN NO. U425
WALL TYPE - EXTERIOR



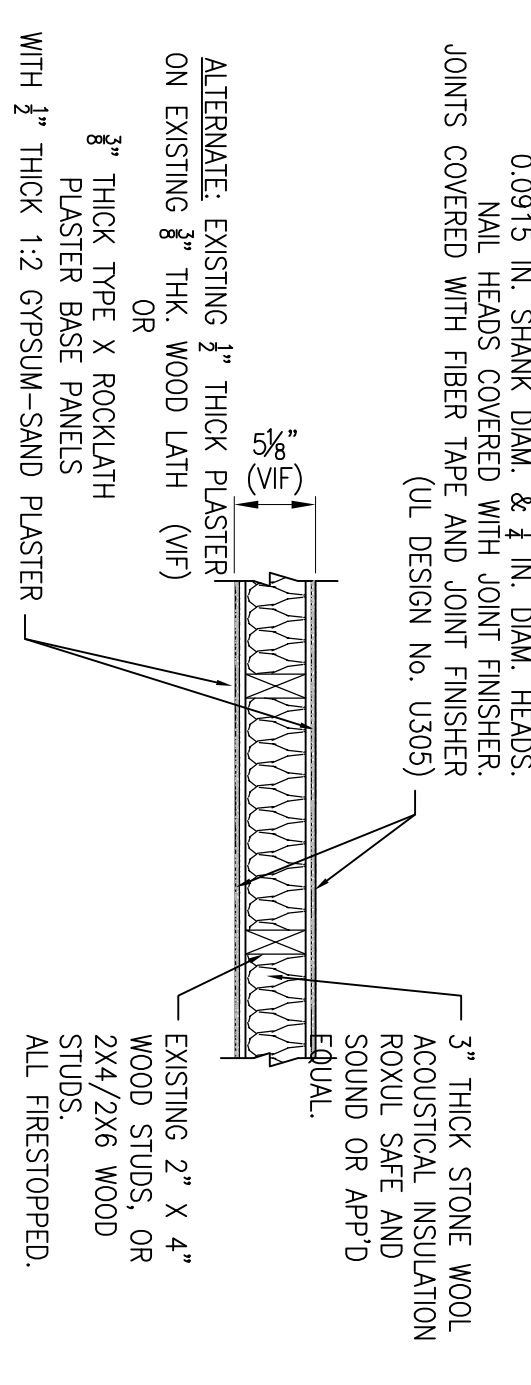
WALL TYPE - EXTERIOR



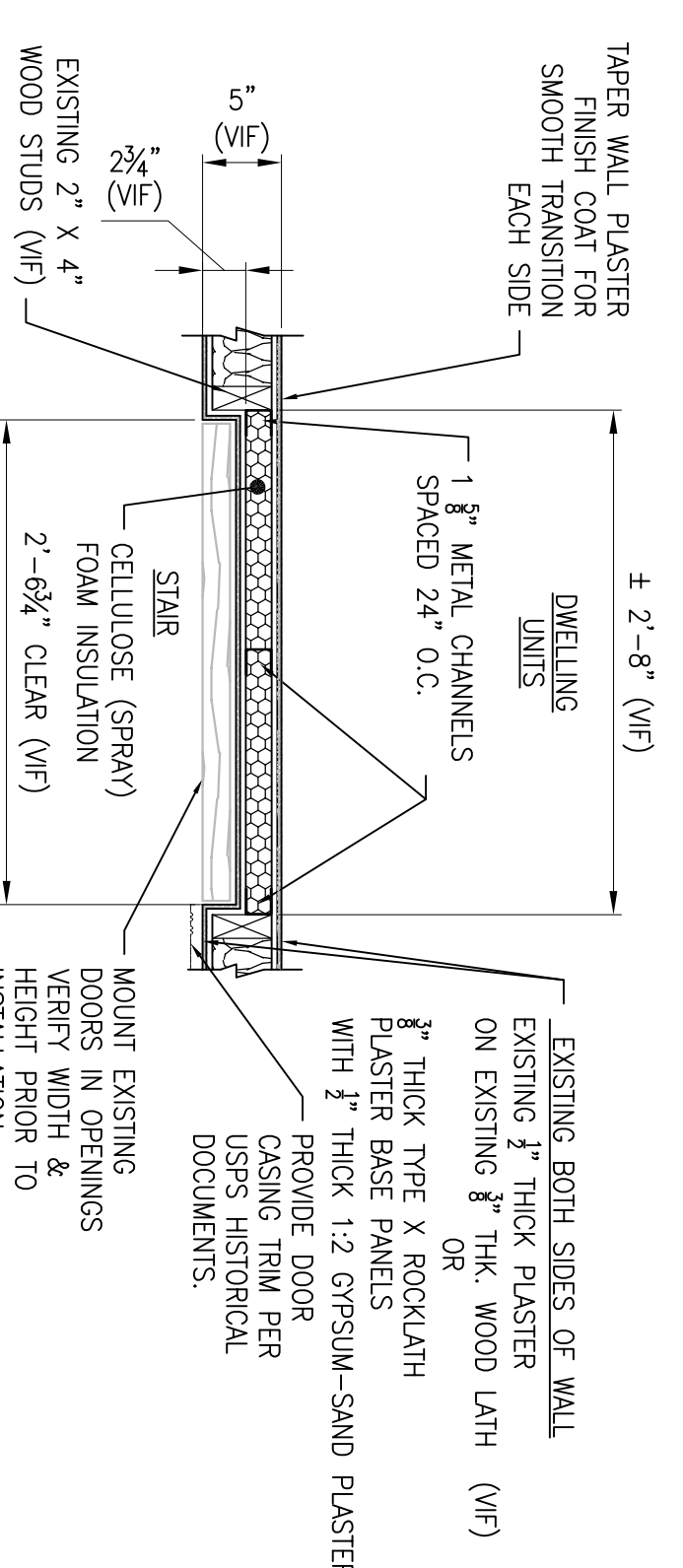
1HR FIRE RESISTANCE RATED
IBC TABLE 720.1(2) ITEM # 12-14
APPROX. STC RATING - 60
WALL TYPE - INTERIOR



UL DESIGN NO. U319
1 1/2 HR FIRE RESISTANCE RATED
APPROX. STC RATING - 50
WALL TYPE - INTERIOR

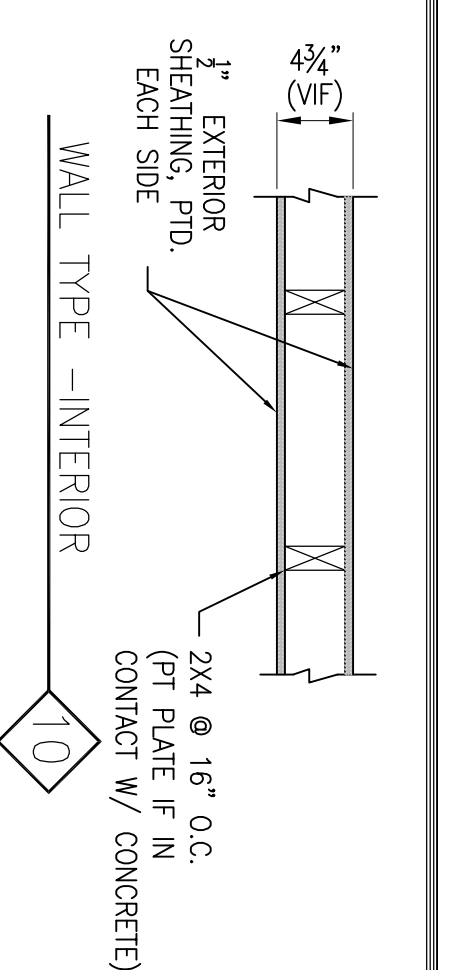


UL DESIGN NO. U305
WALL TYPE - INTERIOR

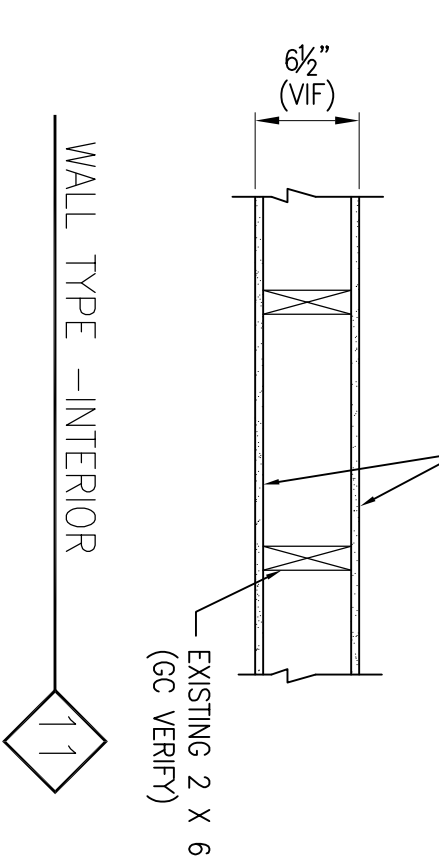


UL DESIGN NO. U469
1 HR FIRE RESISTANCE RATED
APPROX. STC RATING - 40
WALL TYPE - INTERIOR

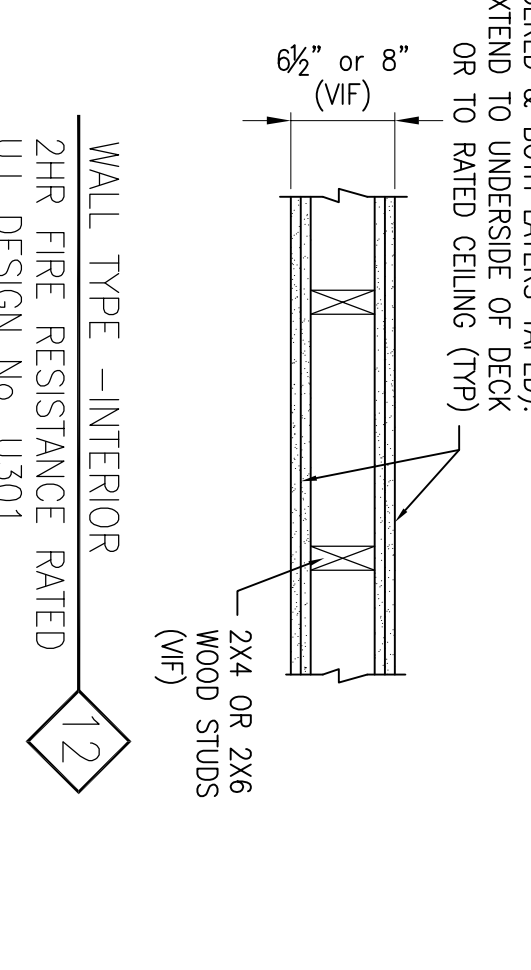
UL DESIGN NO. U469 - Non-bearing wall rating = 1hour
Floor and Ceiling Burners - Channel shaped, 1/2" wide, No 18 gauge steel, gwk, or pld, attached to floor and ceiling with masonry fasteners spaced 24" O.C.
Studs (Channel Shaped) - Channel shaped, 1/2" deep by 1 3/8" wide, Spaced 24" O.C., No 18 gauge steel, gwk, or pld, with or without cutout in webs, attached to runners with four stud shoes (two each end) and the wire.
Stud Sheet - 7 1/2" to 8" in height, 24 gauge steel, gwk, or pld, shaped to fit contour of stud. L-shaped leg formed under runners and shoes tied in place with a single strand of No. 18 gauge gwk, wire, double wrapped.
Metal Lath - 3/8" thick expanded steel, 3.4 lb. per sq. yd. sheets placed horizontally and attached to studs with No. 18 gauge wire of every other rb. Horizontal seams are tied at two locations between studs, vertical seams overlapped 2" and laced over studs.
Plaster - Scratch and brown coats 2 cu. ft. of perlite aggregate (bearing the UL Classification Mark) to 100 lb of fibred gypsum. Finish coat 1/8" thick.



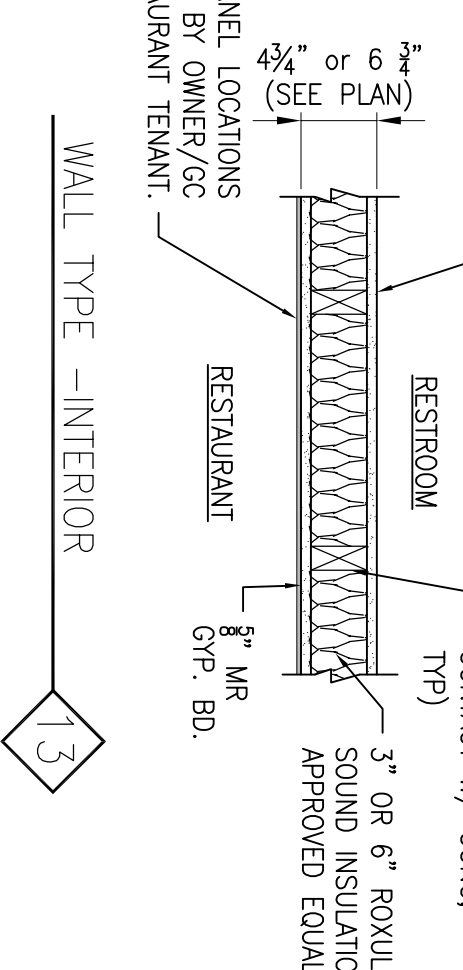
EXISTING 2 X 6 (GC VERIFY)
WALL TYPE - INTERIOR



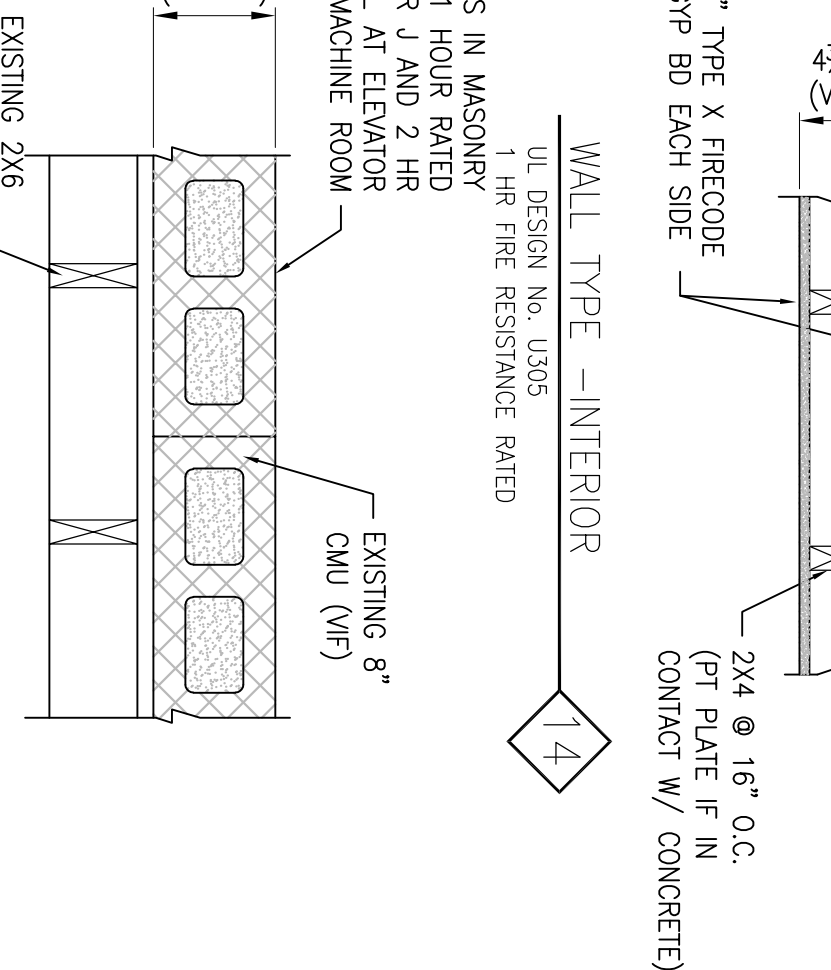
EXISTING 2 X 6 (GC VERIFY)
WALL TYPE - INTERIOR



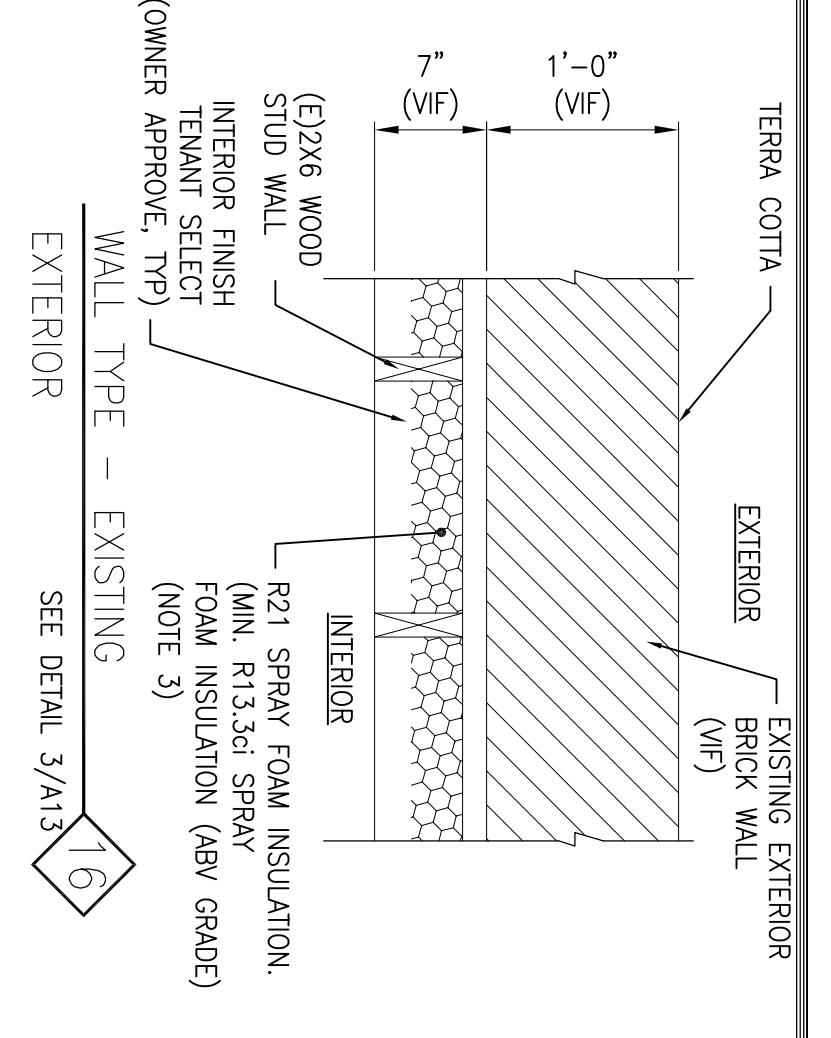
2X4 OR 2X6 (WOOD STUDS)
WALL TYPE - INTERIOR



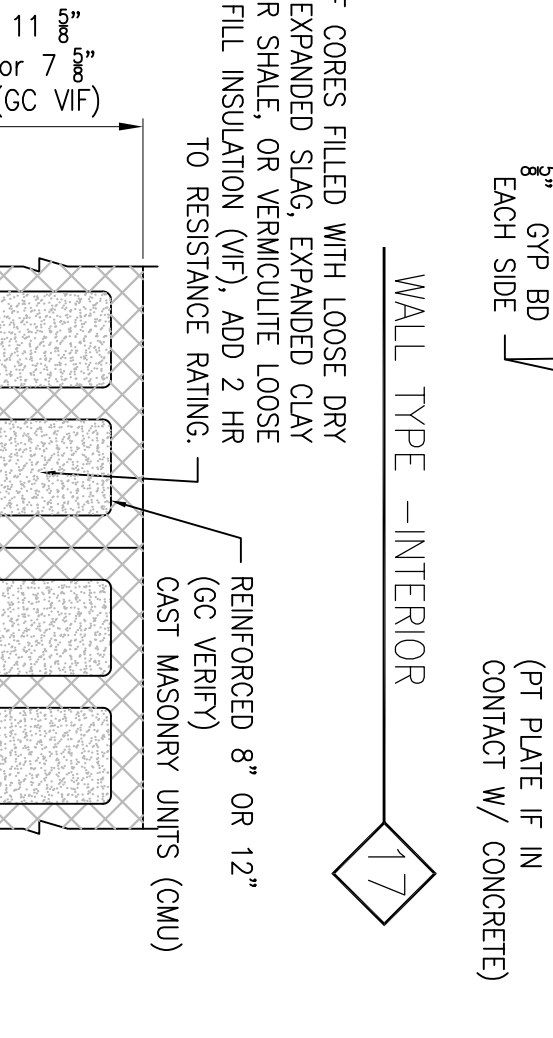
2X4 OR 2X6 @ 16\"/>



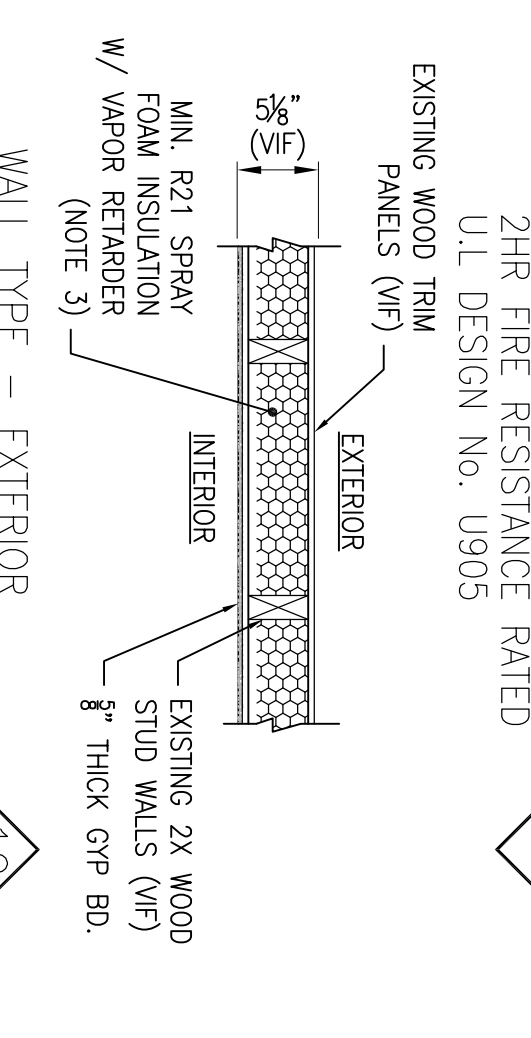
EXISTING 2X6 (WF)
WALL TYPE - EXISTING



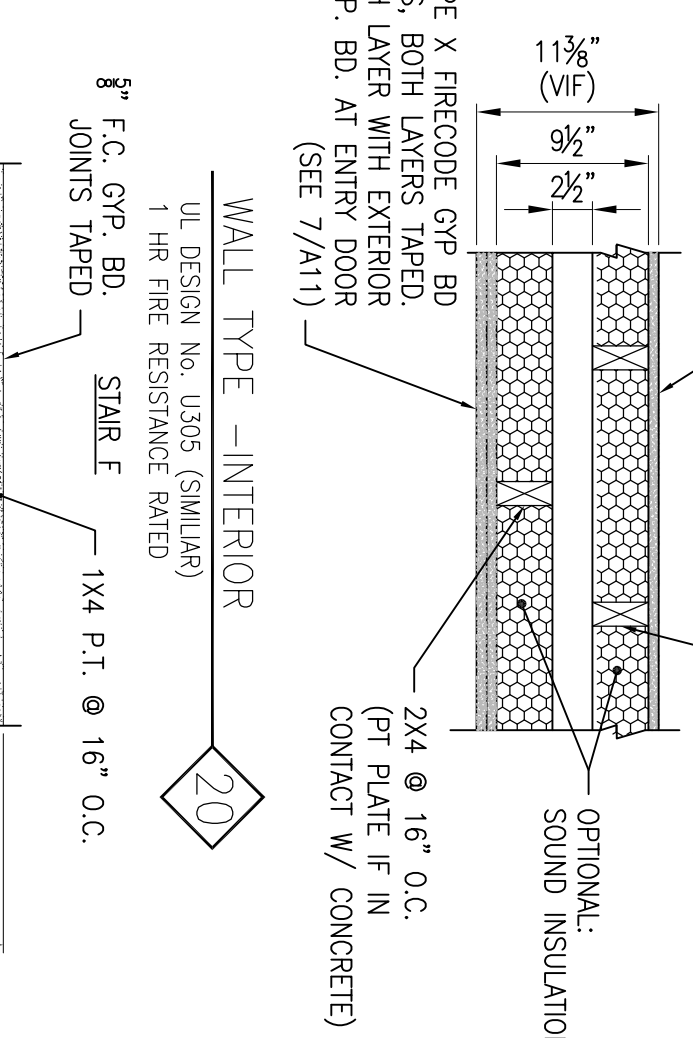
SEE DETAIL 3/A13
WALL TYPE - EXTERIOR



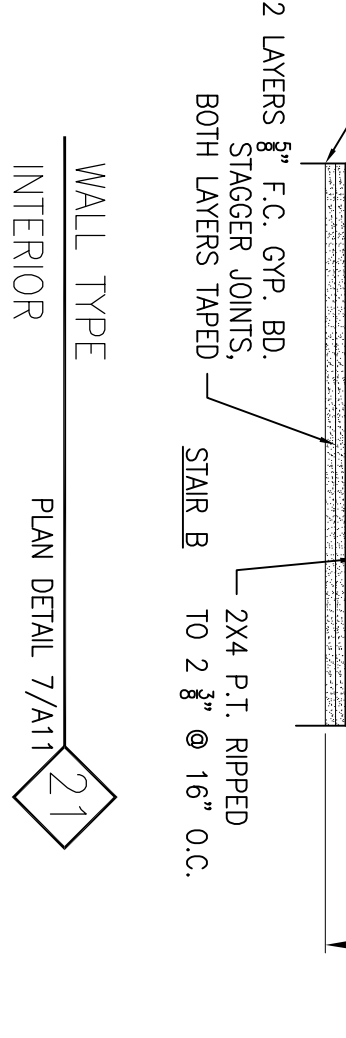
2HR FIRE RESISTANCE RATED
UL DESIGN NO. U905
WALL TYPE - EXISTING



2X4 @ 16\"/>



UL DESIGN NO. U305 (SIMILAR)
1 HR FIRE RESISTANCE RATED
WALL TYPE - INTERIOR



UL DESIGN NO. U305 (SIMILAR)
1 HR FIRE RESISTANCE RATED
WALL TYPE - INTERIOR

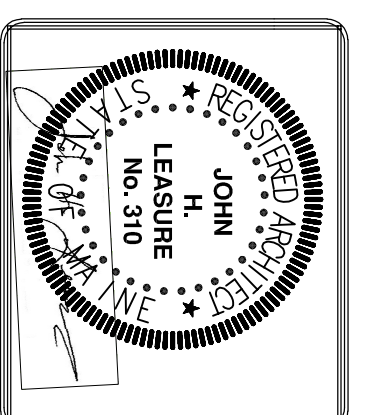


PLAN DETAIL 7/A11
WALL TYPE - INTERIOR

NOTES:
1. SPRAY FOAM INSULATION SHALL BE HIGH DENSITY CLOSED CELL TYPE WITH DENSITY OF NOMINAL 2.0 P.S.F. OR GREATER. IF NECESSARY TO MEET VAPOR PERFORMANCE OF LESS THAN 0.1 PERM, TYP. APPLICATION SHALL BE BY QUALIFIED, EXPERIENCED CONTRACTOR.
2. FACE BRICK-MATCH EXISTING BRICK TYPE/COLOR, JOINT WIDTH, AND SHAPE & GROUT COLOR, GCM/ASSIGN CONRADGERS PROVIDE PERMITS. APPROVAL FOR ALL PROPOSED MATERIALS PRIOR TO ORDERING OR INSTALLATION.
3. EXTEND ALL 1 HOUR FIRE RATED WALLS FROM FLOOR TO UNDERSIDE OF FLOOR/ROOF DECK (OR EXTEND TO 1 HR RATED CEILING).
4. VERIFY EXISTING WALL MATERIALS AND FINISHES, TAPER AND SEAL ALL PENETRATIONS, CRACKS & VOIDS WITH 1 HOUR FIRE RATING, TYP.

SHWARTZ BUILDING RENOVATIONS
600-604 CONGRESS STREET
PORTLAND, MAINE
WALL TYPES

REV.	DATE	STATUS
1	3-30-17	STATE FIRE MARSHAL SUBMISSION
2	4-28-17	SUBMITTED FOR PERMITS



JOHN H. LEASURE ARCHITECT, INC.
6 Q STREET
SOUTH PORTLAND, MAINE 04106

