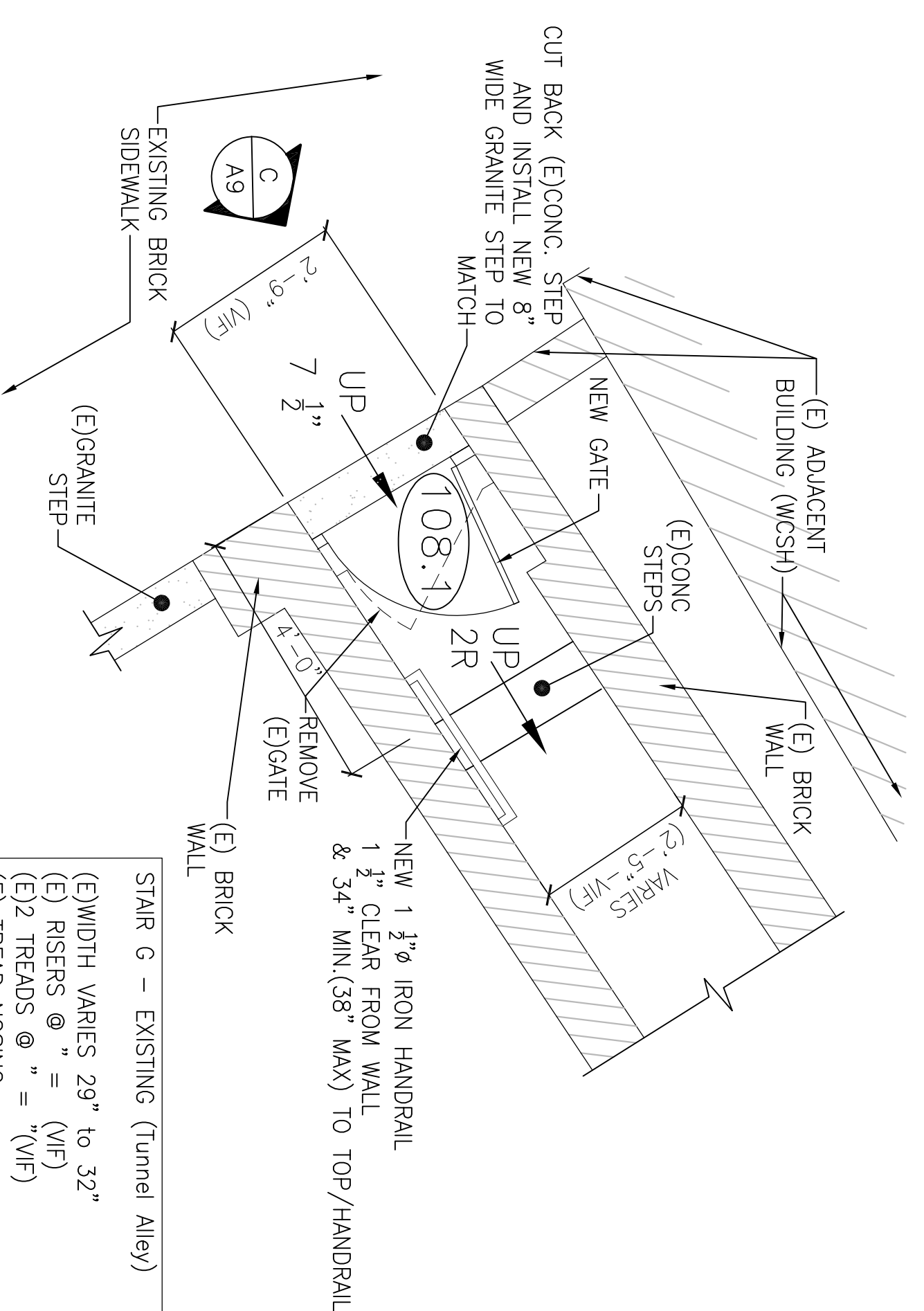
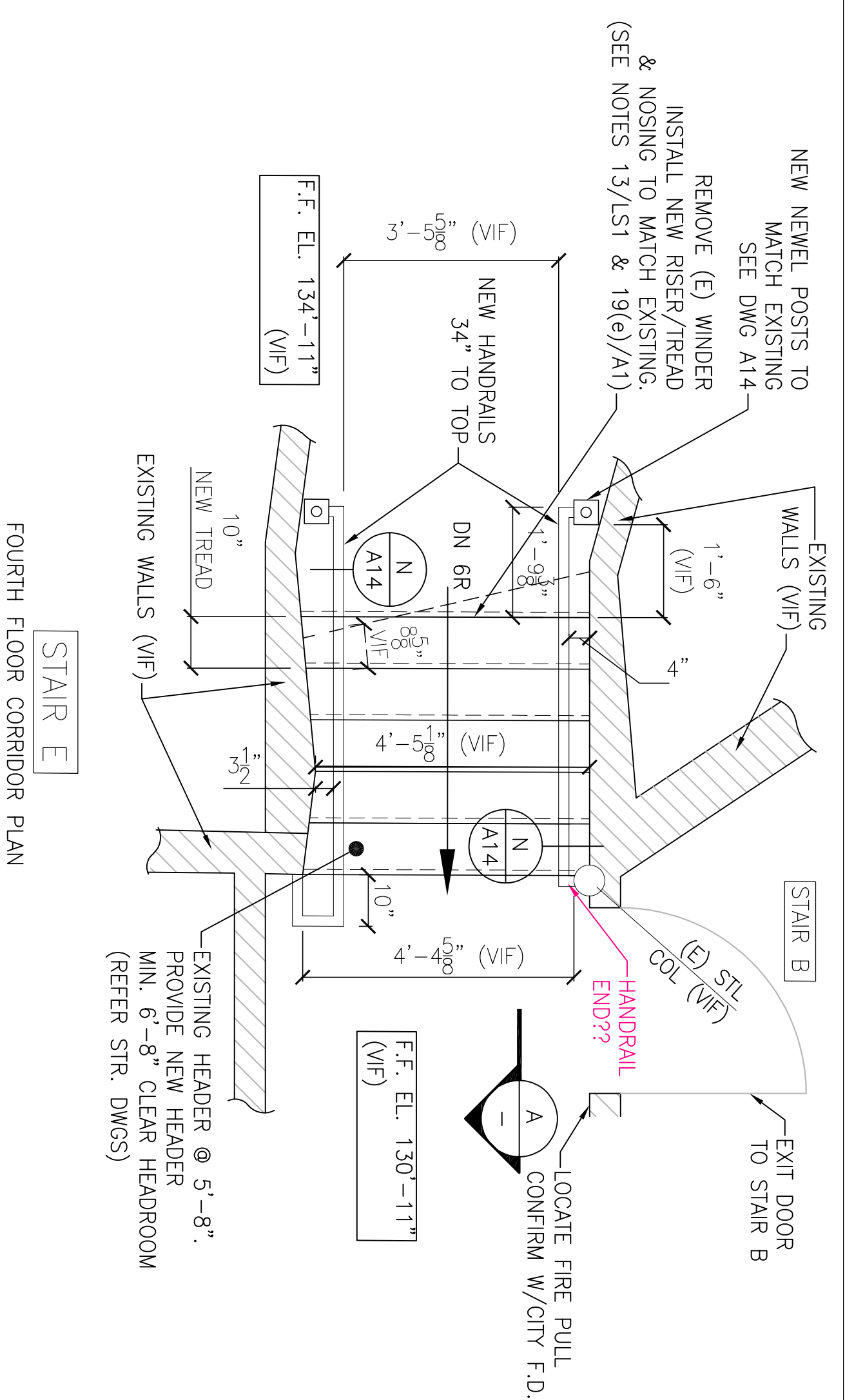
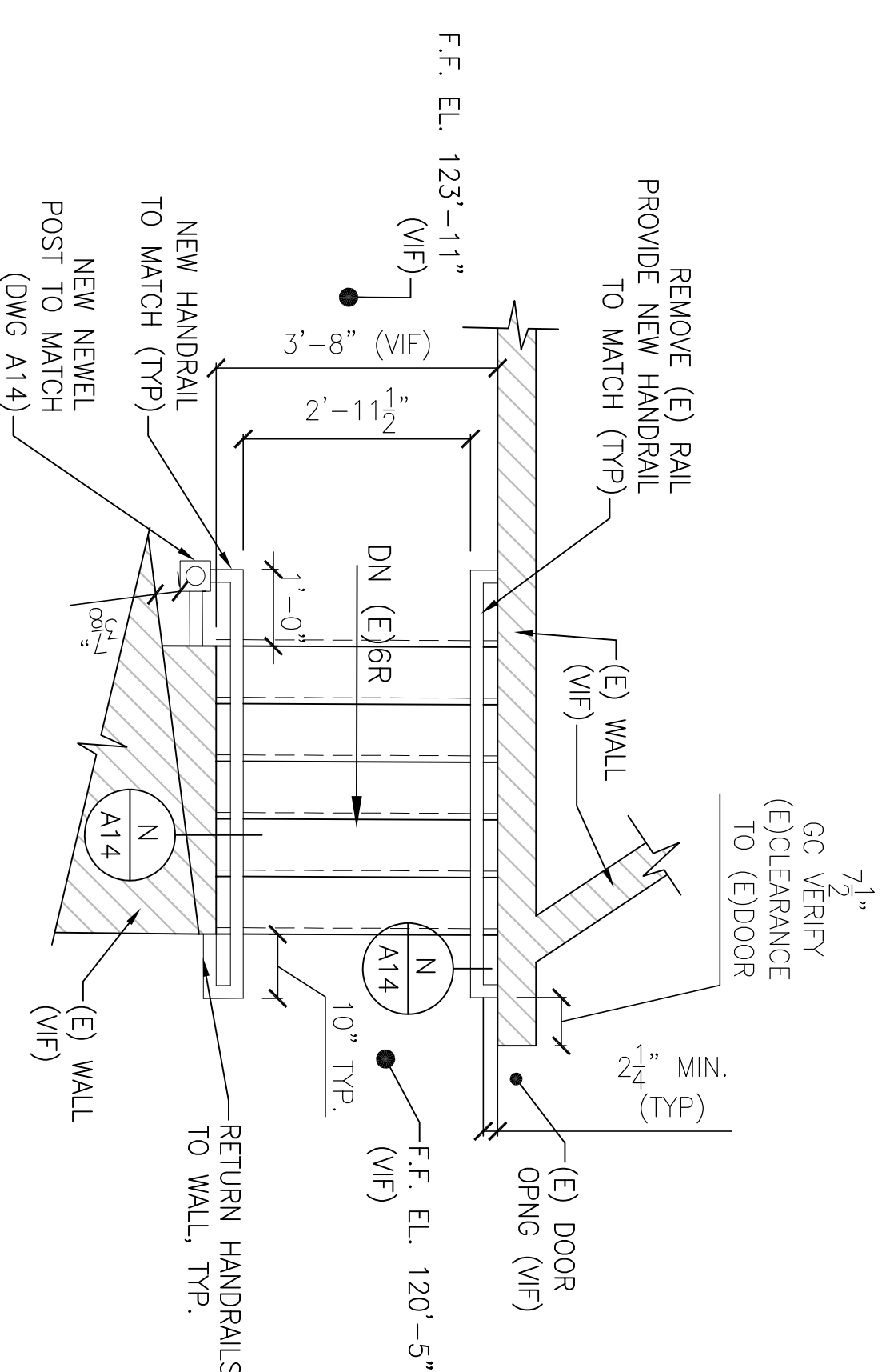
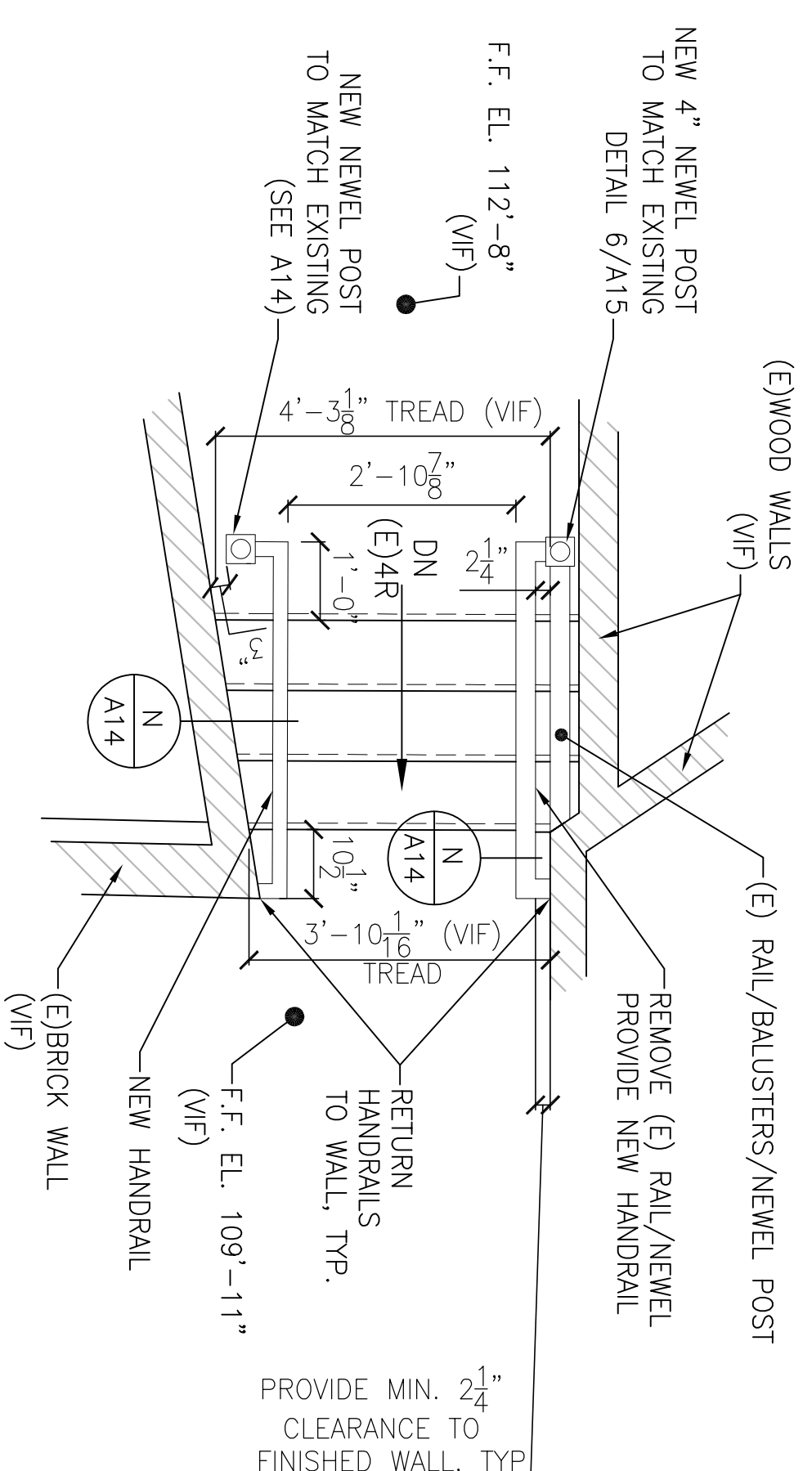
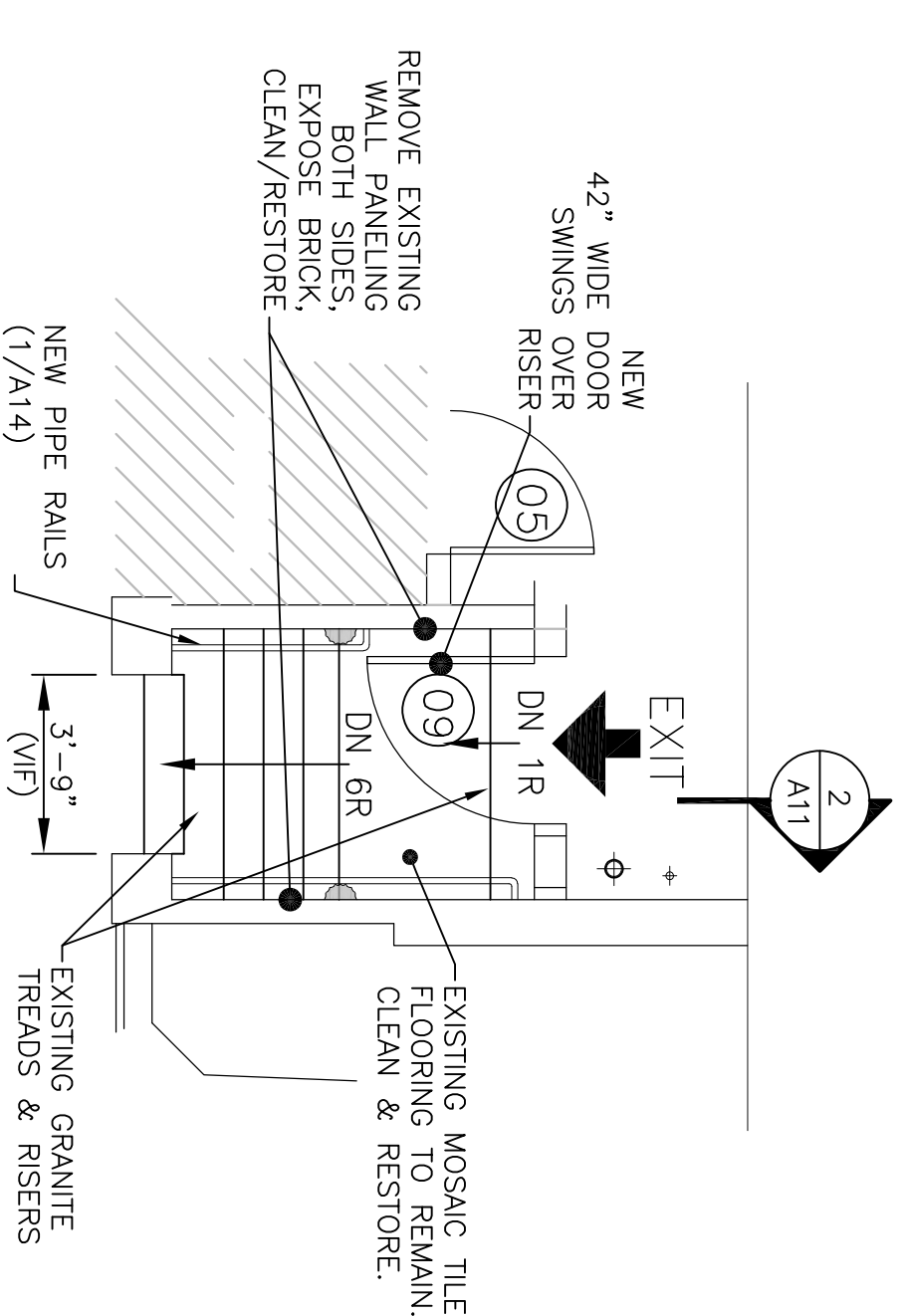
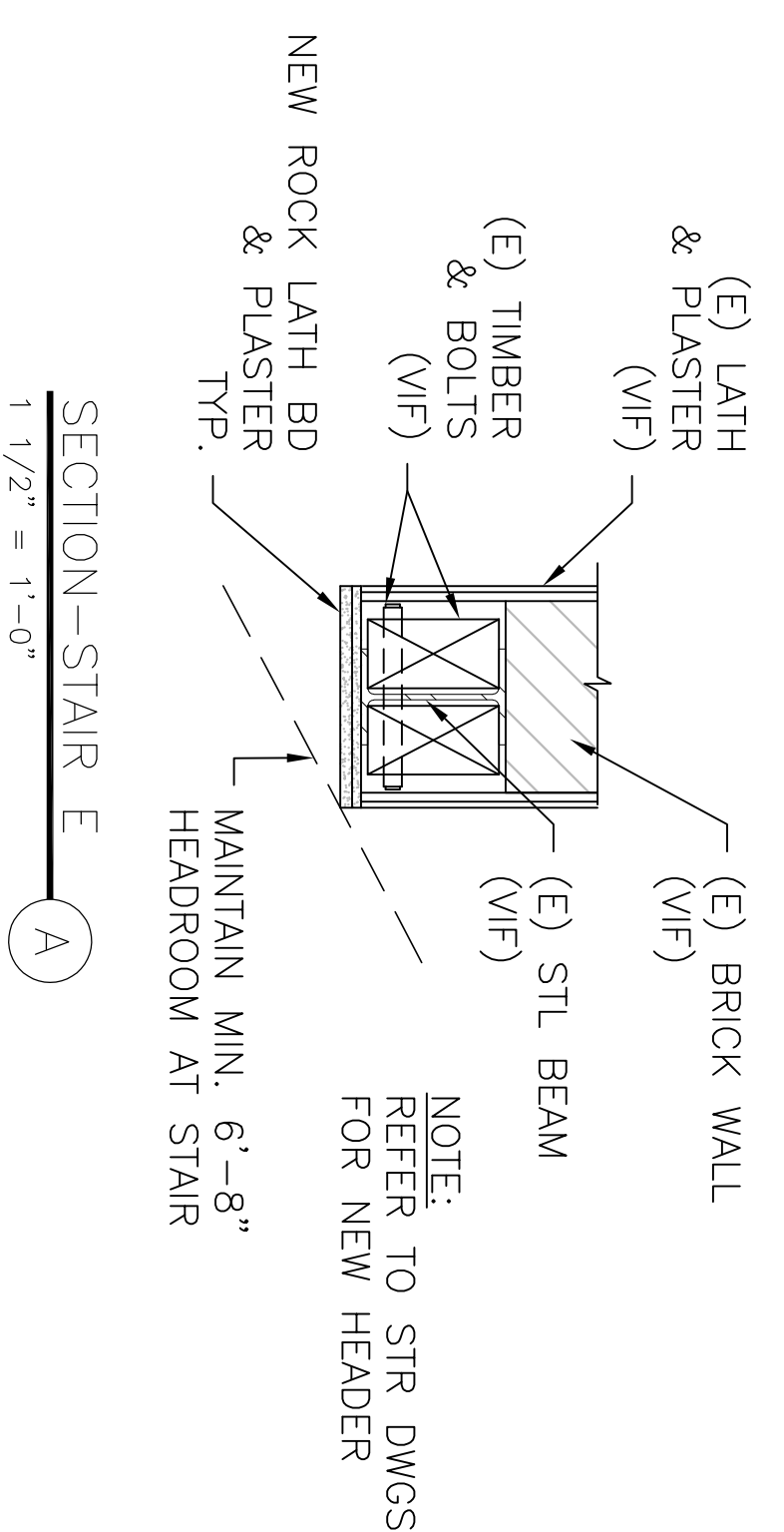
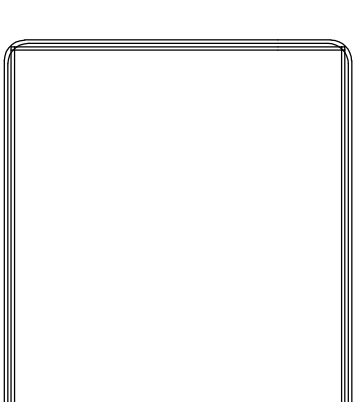
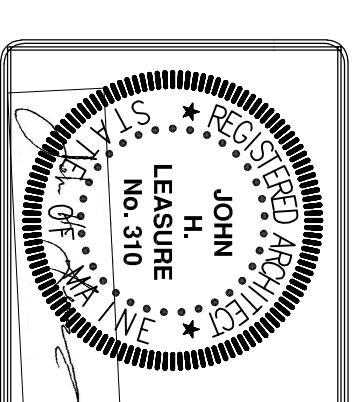




STAIR E



REV.	DATE	STATUS
.	3-30-17	STATE FIRE MARSHAL SUBMISSION
1	4-28-17	SUBMITTED FOR PERMITS



- NOTES:
1. SEE STAIR NOTES ON DRAWING A1
 2. TOP OF HANDRAILS SHALL BE 34" ABOVE LEADING EDGE OF TREADS, TYP.
 3. SEE FLOOR PLANS FOR (E) STAIR DIMS AND CONFIGURATIONS

SHWARTZ BUILDING RENOVATIONS
600-604 CONGRESS STREET
PORTLAND, MAINE
STAIRS C, D, E, G & H

JOHN H. LEASURE ARCHITECT, INC.
6 Q STREET
SOUTH PORTLAND, MAINE 04106

A17