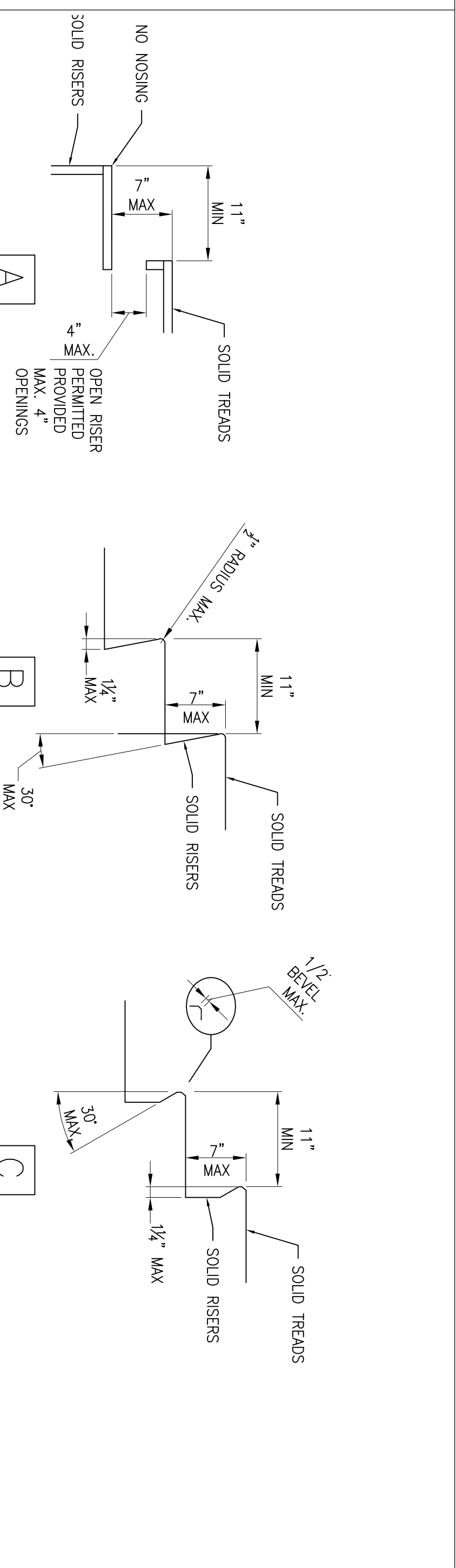


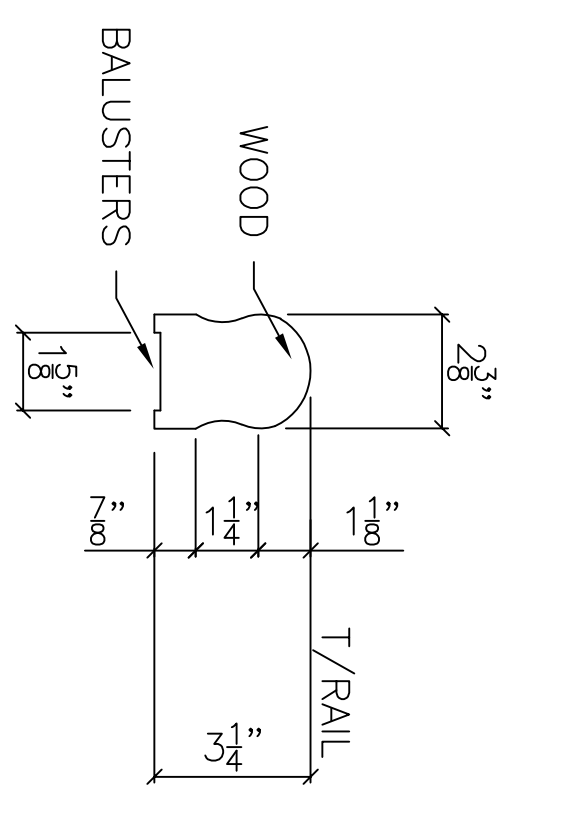
1 1 1/2" Ø HANDRAIL DETAIL
SEE ALSO GENERAL NOTES ON DRAWING A1

2 GUARD/HANDRAIL DETAIL
SEE ALSO GENERAL NOTES ON DRAWING A1

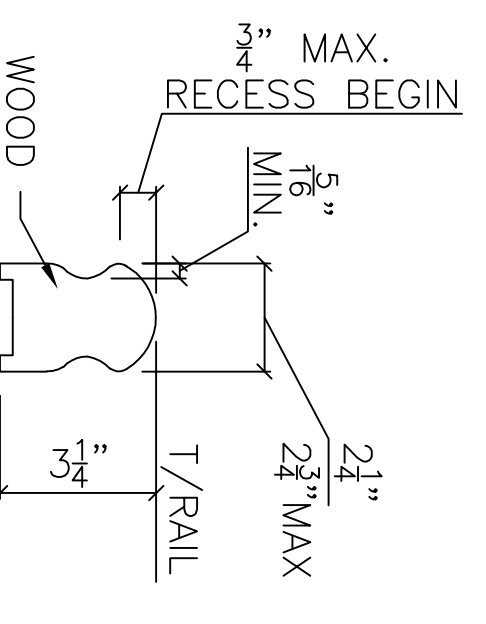
3 EXISTING GUARD/HANDRAIL DETAIL
SEE ALSO GENERAL NOTES ON DRAWING A1



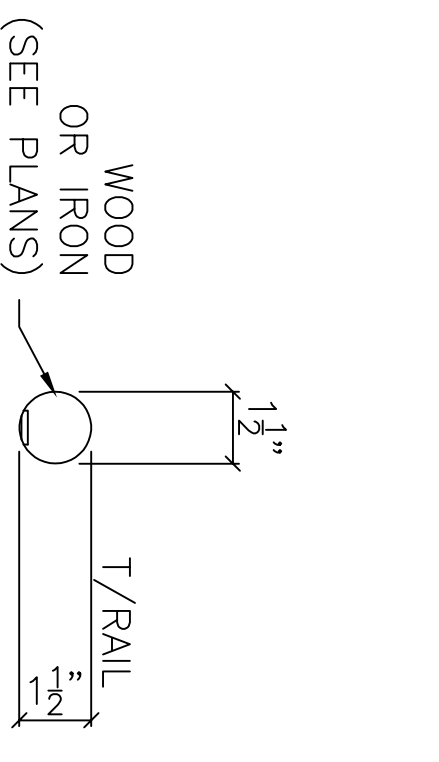
4 STAIR TREAD DETAIL
SEE ALSO NOTES ON DRAWING A1
PROFILES A, B OR C ARE ACCEPTABLE FOR NEW STAIRS
TYPE "A" SHOWN IN DRAWINGS FOR NEW STAIRS



EXISTING HAND/GUARD RAIL
3" = 1'-0"
DRAWING A15 and NOTE 20/A1



HANDRAIL TYPE II
3" = 1'-0"
NOTE 20/A1
Approx. Perimeter-11"

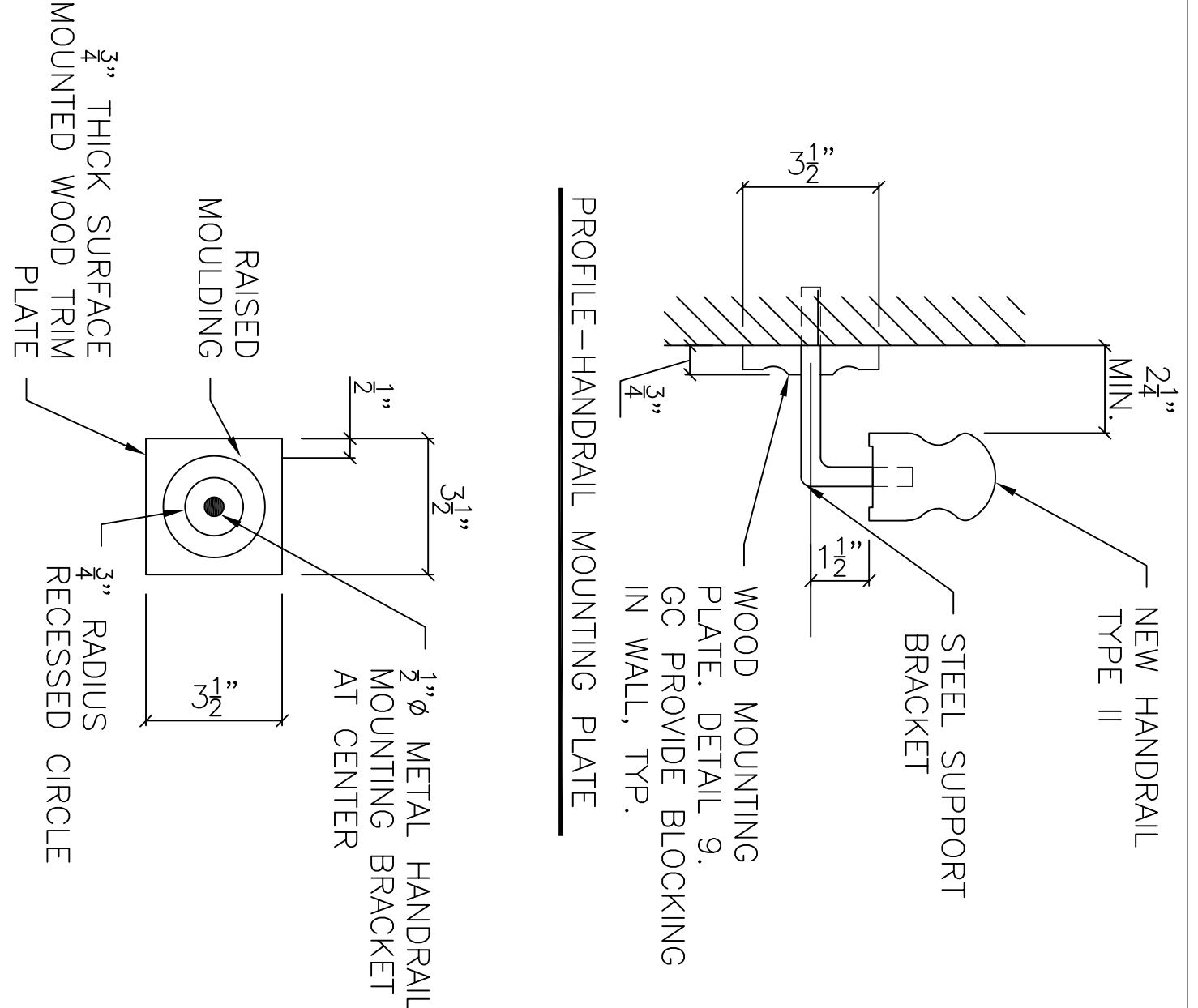


HANDRAIL TYPE I
3" = 1'-0"
NOTE 20/A1

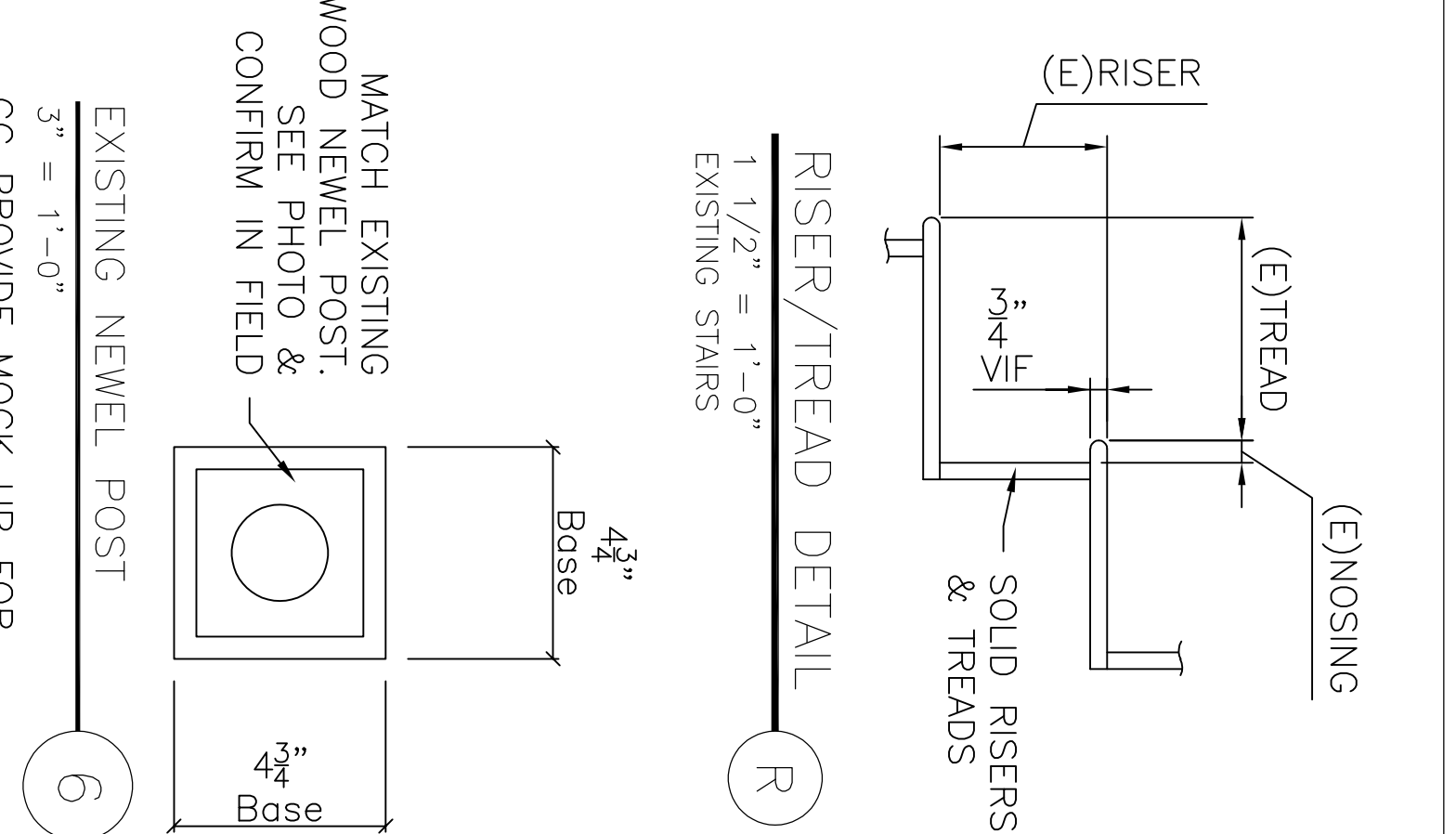
Handrail Type I
Circular Cross Section
Handrails shall have a outside diameter of at least 1 1/4" and not greater than 2". If handrail is not circular, it shall have a perimeter dimension of at least 4" and not greater than 6 1/4" with a maximum cross-section dimension of 2 1/4". Edges shall have a minimum radius of 0.01 inch.

Handrail Type II
Perimeter Greater than 6 1/4"
The Finger recess shall begin within a distance of 3/4" measured vertically from the tallest portion of the profile and achieve a depth of at least 5/8" within 8" below the widest portion of the profile. This required depth shall continue for at least 8" to a level that is not less than 1 1/4" below the tallest portion of the profile. The minimum width of the handrail above the recess shall be 1 1/4" to a maximum of 2 3/4". Edges shall have a minimum radius of 0.01 inch.

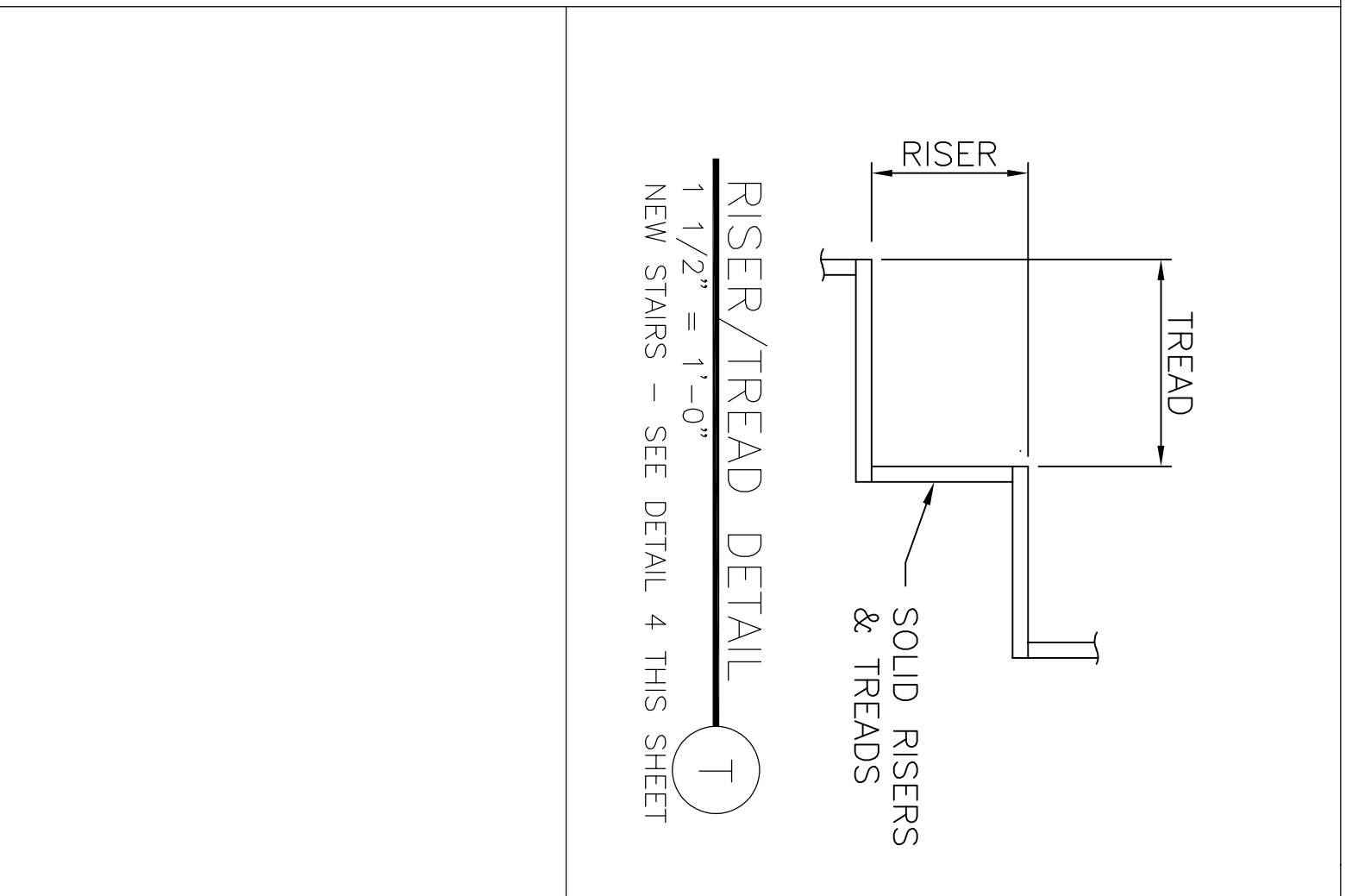
HANDRAIL TYPES



DETAIL-ELEVATION
HANDRAIL MOUNTING PLATE
3" = 1'-0"
FOR TYPE "N" HANDRAIL



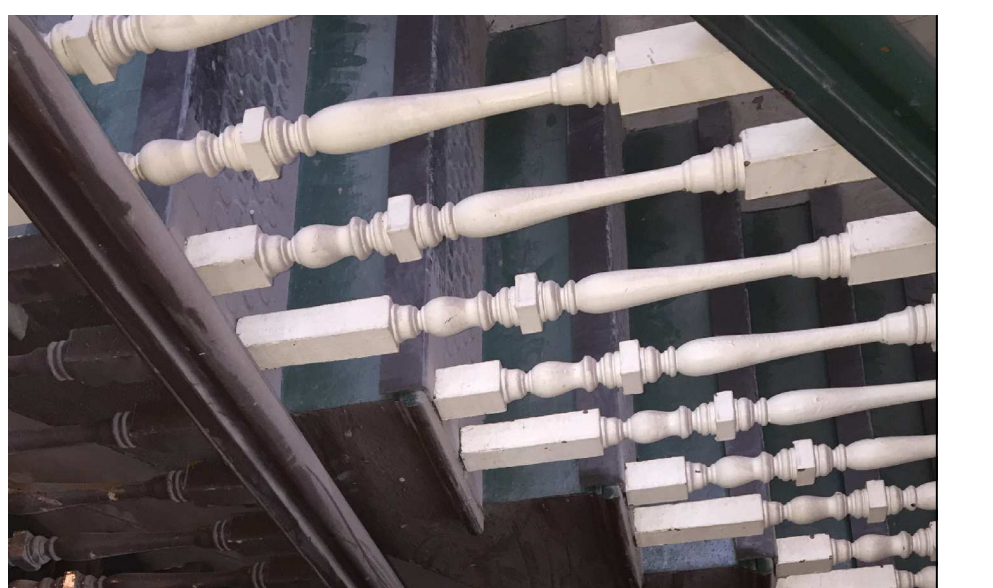
RISER/TREAD DETAIL
1 1/2" = 1'-0"
EXISTING STAIRS



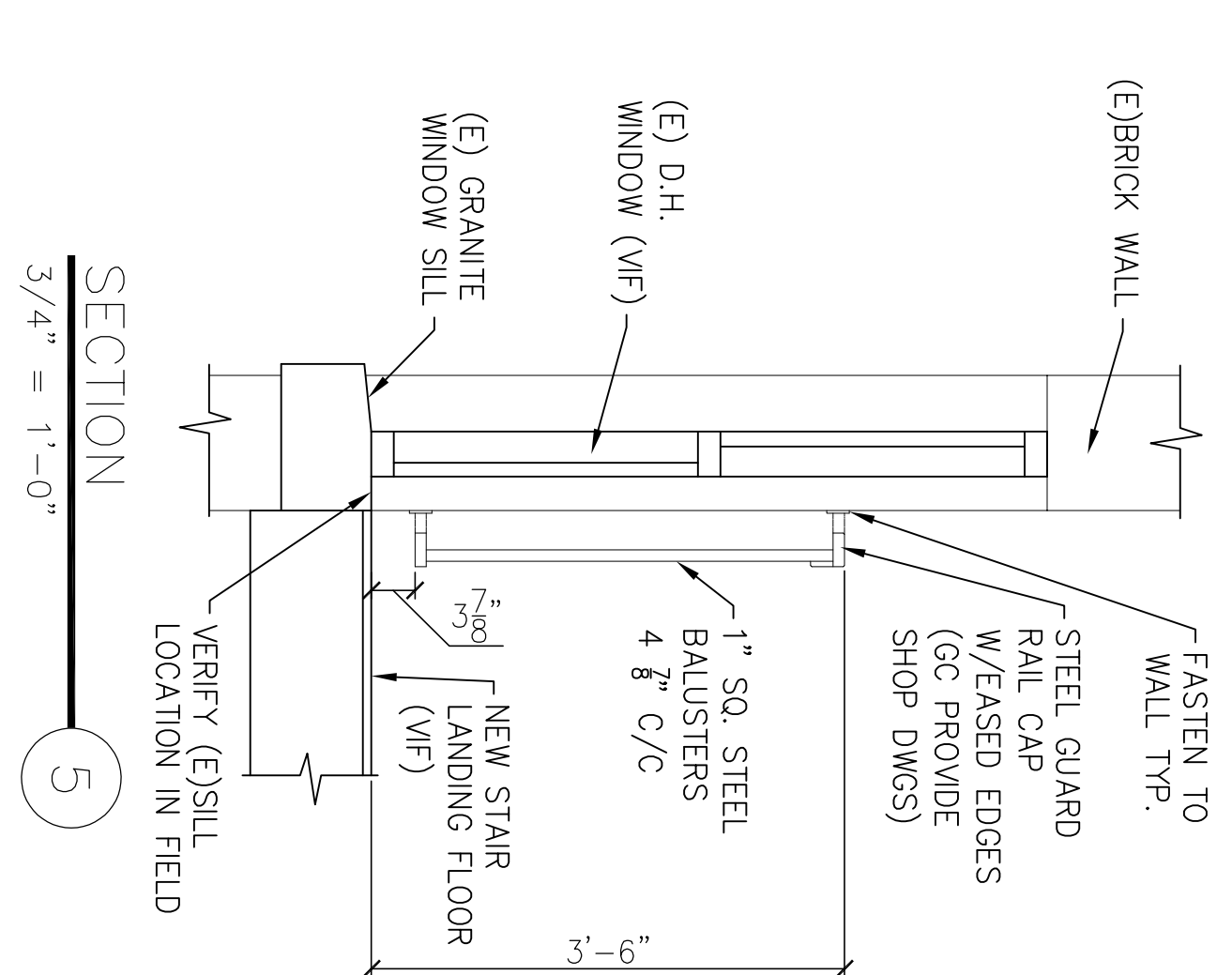
RISER/TREAD DETAIL
1 1/2" = 1'-0"
NEW STAIRS - SEE DETAIL 4 THIS SHEET



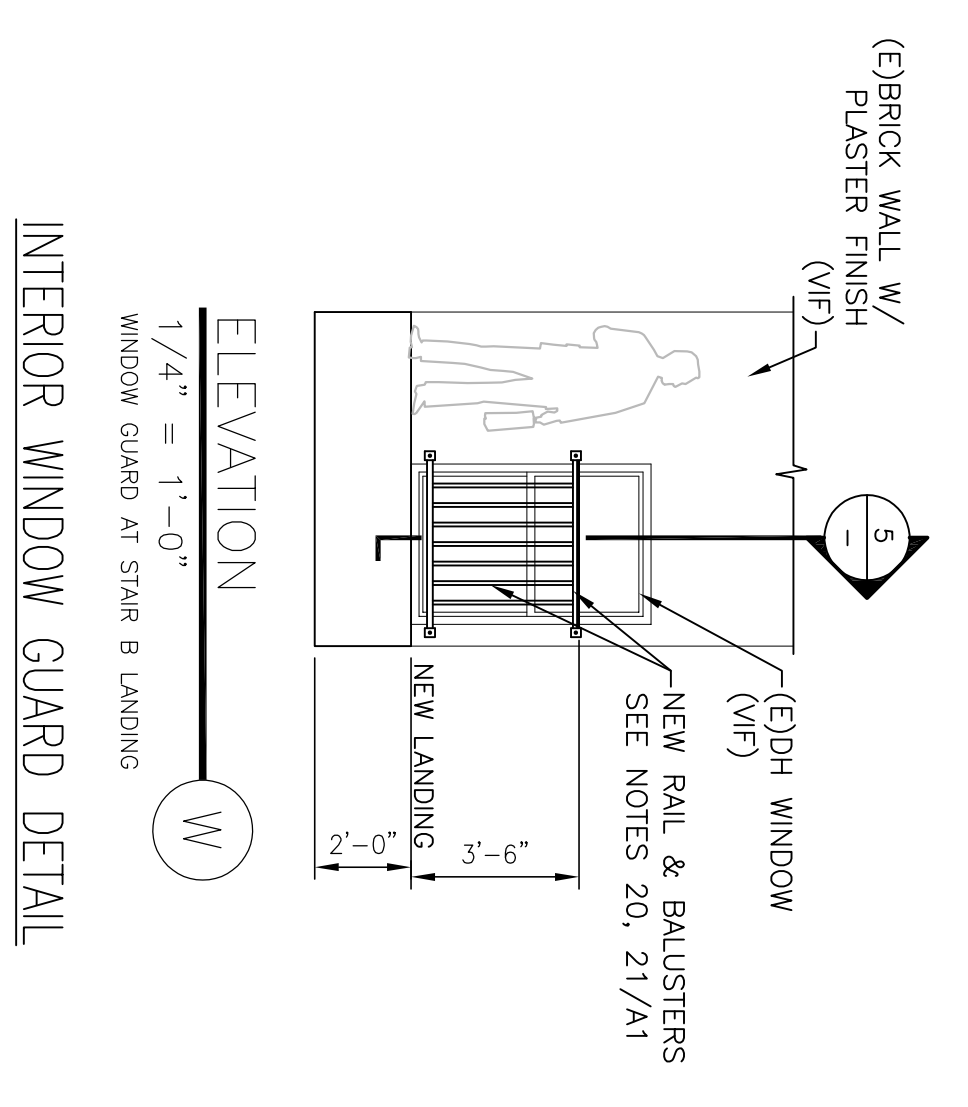
(E)NEWEL
GC MATCH



(E) BALUSTER
GC MATCH



SECTION
3/4" = 1'-0"
5



INTERIOR WINDOW GUARD DETAIL
W

SHWARTZ BUILDING RENOVATIONS
600-604 CONGRESS STREET
PORTLAND, MAINE
STAIR DETAILS

REV.	DATE	STATUS
.	3-30-17	STATE FIRE MARSHAL SUBMISSION
1	4-28-17	SUBMITTED FOR PERMITS

