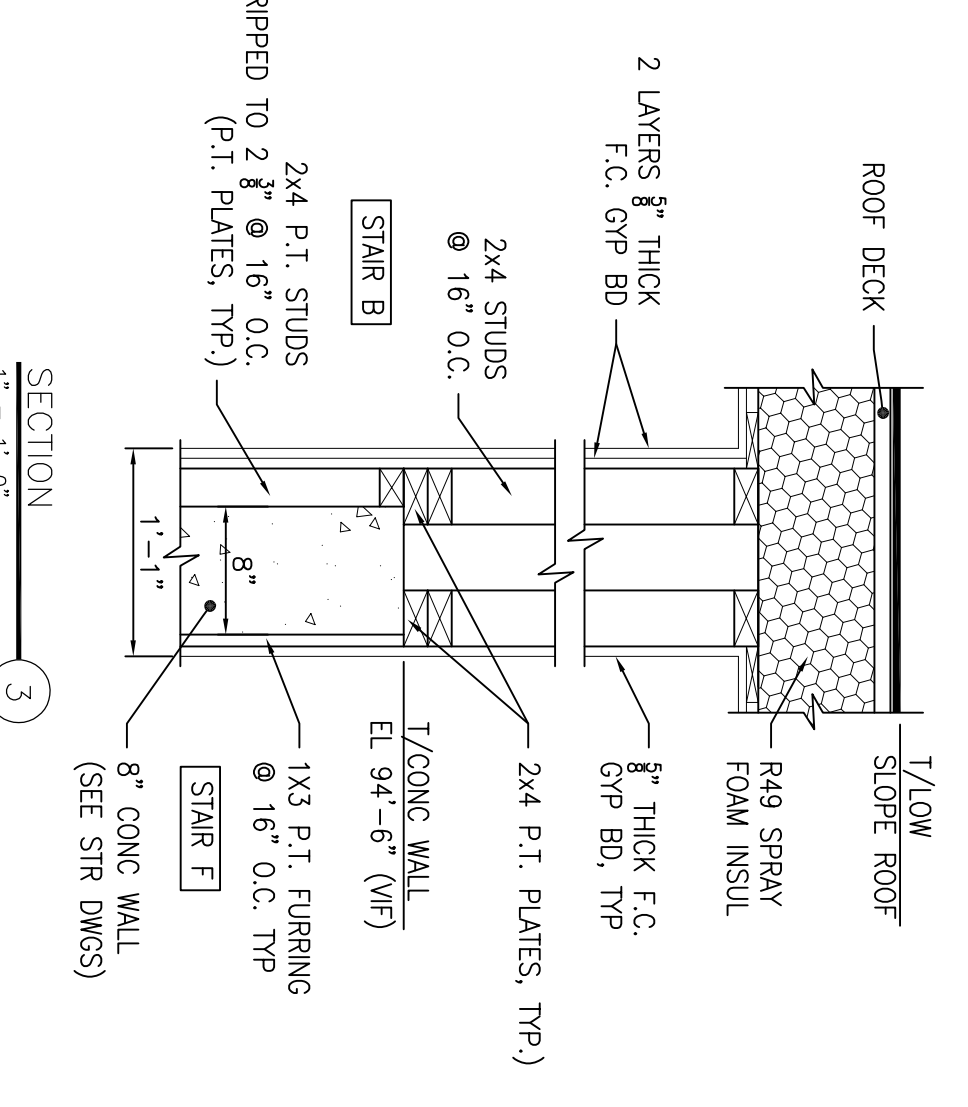
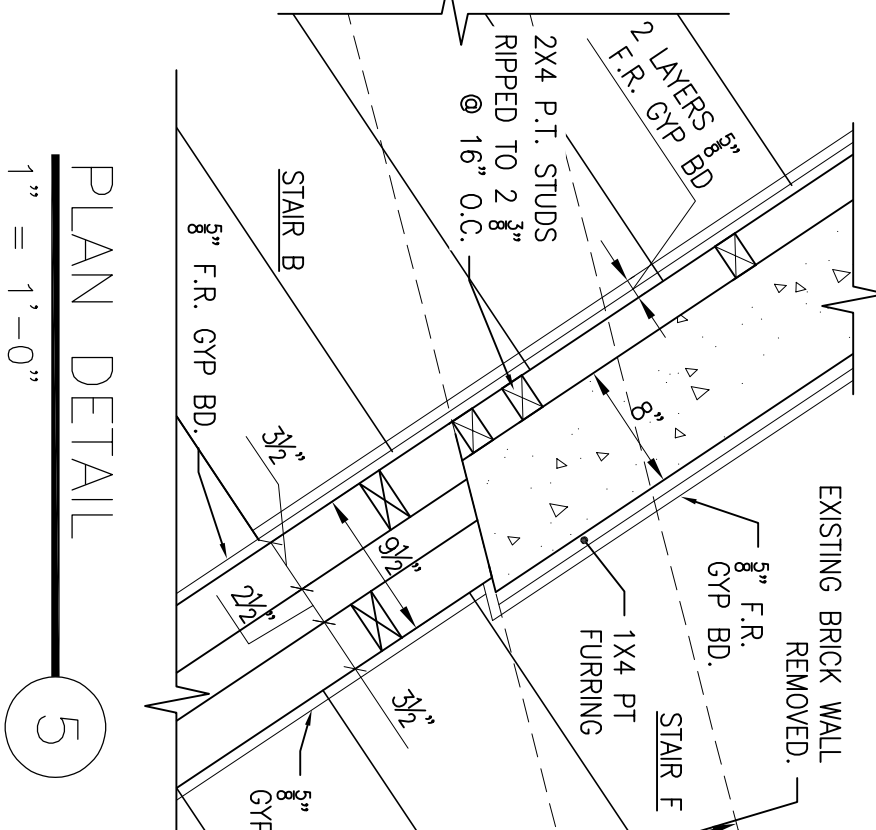
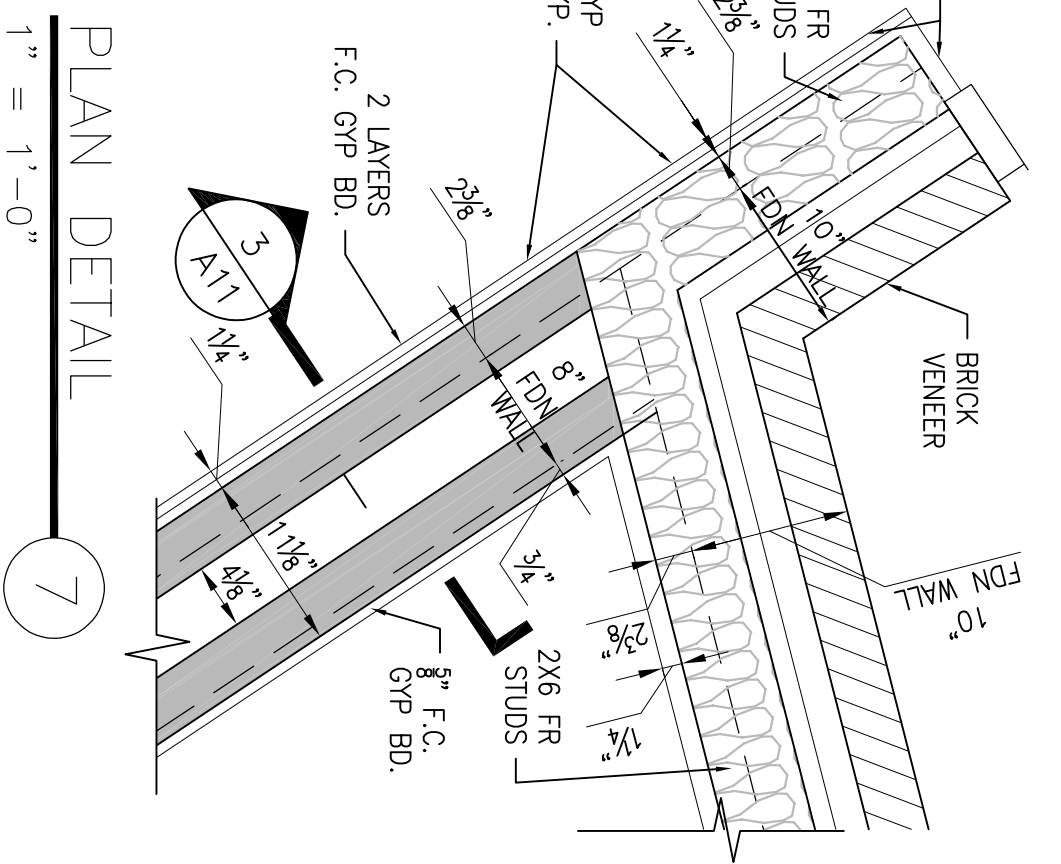
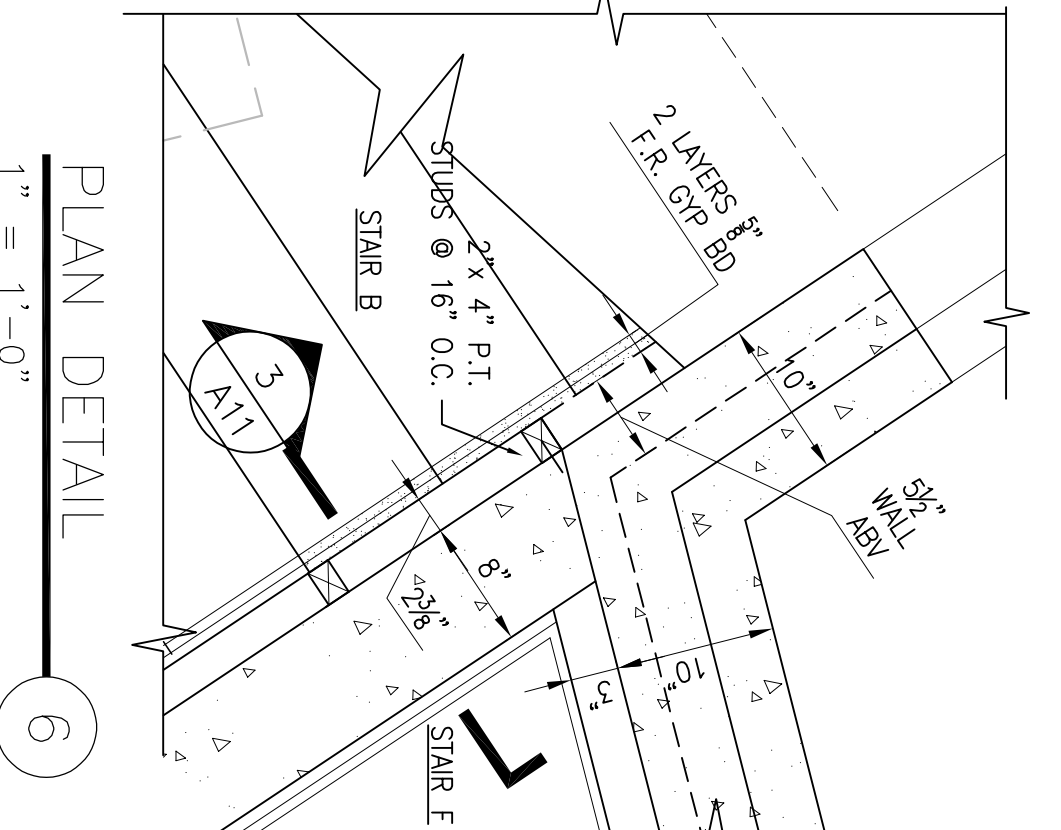


CROSS SECTION  
1/4" = 1'-0"  
2

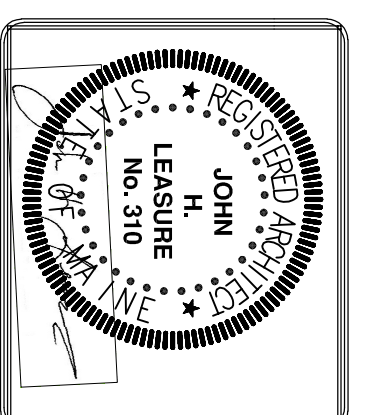
(E) 31 1/2" Guardrail Height on Landing  
EXISTING - 4TH FLOOR STAIR  
(E) 2'-11" Width  
(E) 15 Risers ± 7 1/2" Riser Height  
(E) 14 Treads ± 9 3/8" Tread Depth  
(E) 1 1/2" Nosing  
(E) 28" Guardrail Height on Stair  
(E) 1 1/2" Nosing  
Min. Height-Note 136/LS1)  
EXISTING - 3RD TO 4TH STAIR

(E) 2'-11" Width  
(E) 17 Risers ± 7 1/2" Riser Height  
(E) 16 Treads ± 9 3/8" Tread Depth  
(E) 1 1/2" Nosing  
(E) 28" Guardrail Height on Stair  
(E) 1 1/2" Nosing  
Min. Height-Note 136/LS1)  
EXISTING - 2ND TO 3RD STAIR  
(E) 2'-11" Width  
(E) 16 Risers ± 7 1/2" Riser Height  
(E) 15 Treads ± 9 3/8" Tread Depth  
(E) 1 1/2" Nosing  
(E) Bottom riser Height - 4 3/4" to remain  
(E) 15 Treads ± 9 3/8" Tread Depth  
(E) 1 1/2" Nosing  
(E) 30" Guardrail Height on Stair  
EXISTING - 1ST TO 2ND STAIR

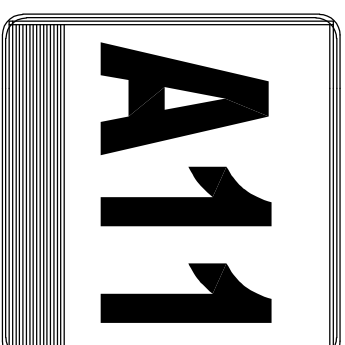
(E) 5'-3" to 5'-7" Width  
(E) 7 Risers-Riser Height Varies 7 1/2" to 8 1/2"  
(E) 6 Treads-Tread Depth Varies 9" to 11"  
New Handrails each side.  
EXISTING - EXTERIOR STAIR H  
1ST TO GRADE/SIDEWALK



REV.	DATE	STATUS
.	3-30-17	STATE FIRE MARSHAL SUBMISSION
1	4-28-17	SUBMITTED FOR PERMITS



SHWARTZ BUILDING RENOVATIONS  
600-604 CONGRESS STREET  
PORTLAND, MAINE  
BUILDING SECTION 2 - STAIR A



JOHN H. LEASURE ARCHITECT, INC.  
6 Q STREET  
SOUTH PORTLAND, MAINE 04106