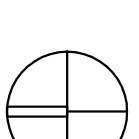


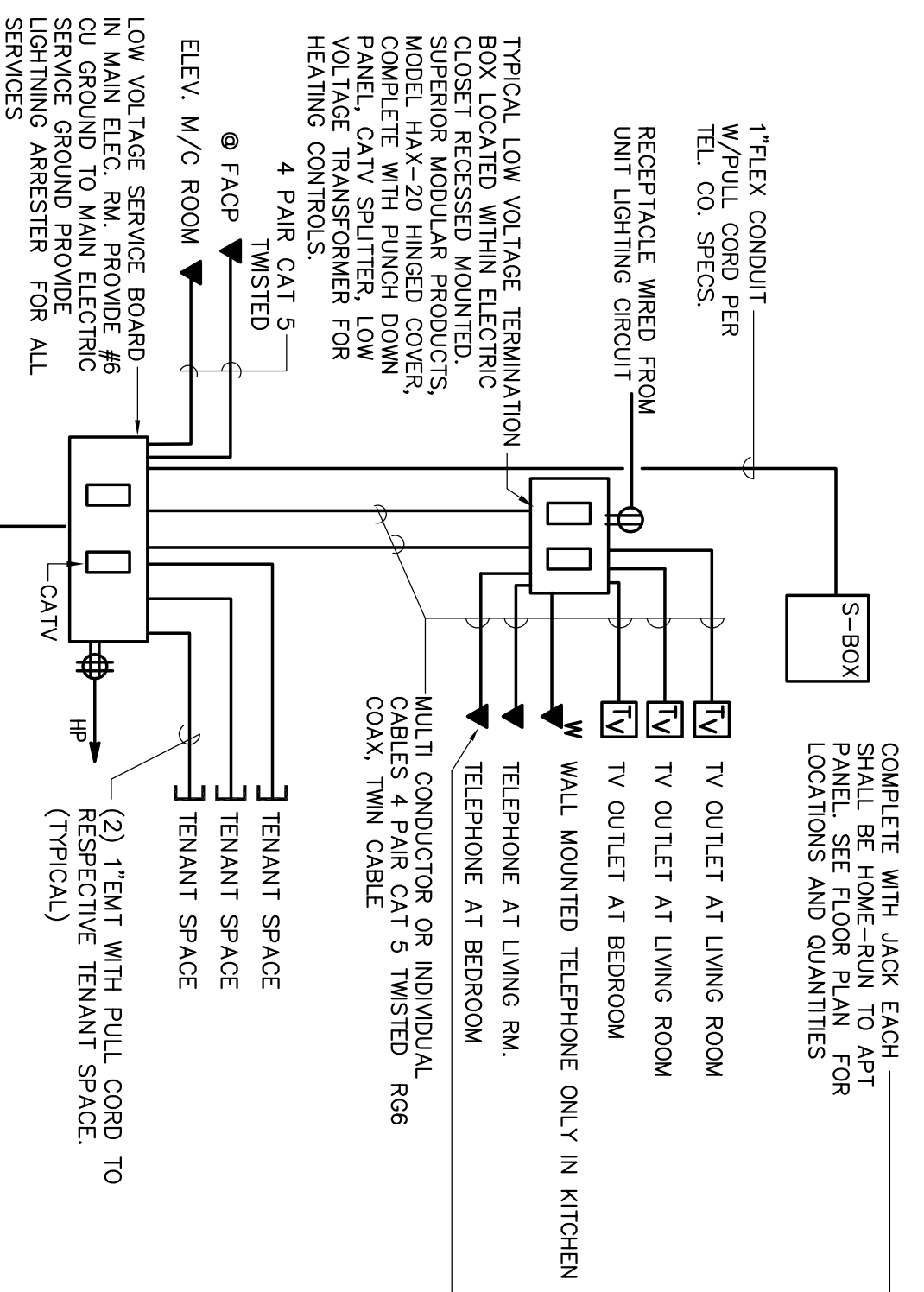
James Sterling AIA  
 Architect  
 142 High Street  
 Portland, Maine  
**SHWARTZ BUILDING  
 RENOVATIONS**



ELECTRICAL  
 DETAILS  
 scale: NTS

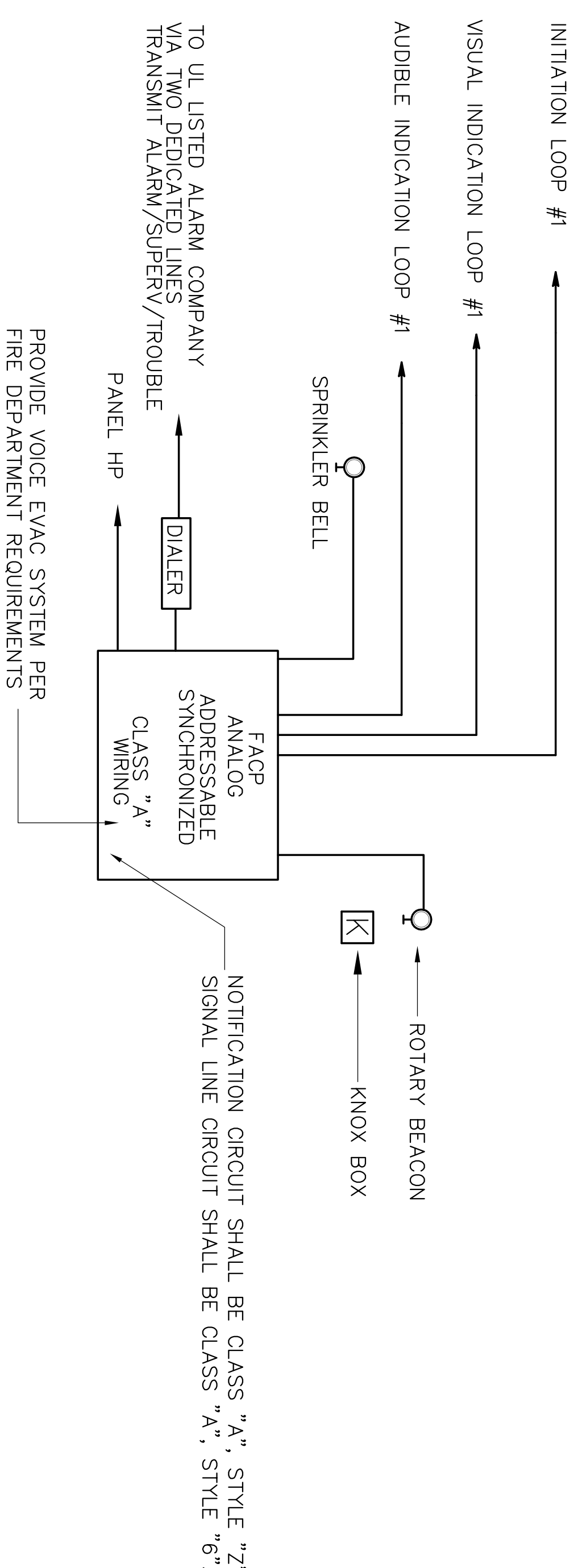
TYPE	MANUFACTURER	CATALOG NUMBER	VOLT	LAMP	DESCRIPTION
U1	ALLOWANCE \$150		120	-	UNIT ENTRY /HALL/BEDROOM RECESSED
U2	ALLOWANCE \$150		120	-	KITCHEN RECESSED LIGHTS
U3	ALLOWANCE \$150		120	-	VANITY LIGHTS
U4	ALLOWANCE \$150		120	-	LAUNDRY CLOSET LIGHT
<b>FIXTURE SCHEDULE-- COMMON AREAS</b>					
TYPE	MANUFACTURER	CATALOG NUMBER	VOLT	LAMP	DESCRIPTION
C1	ALLOWANCE \$150		120	-	COMMON AREA HALL, LOBBY LIGHTS
C2	ALLOWANCE \$150		120	-	STAIRS
C3	ALLOWANCE \$150		120	-	EXTERIOR WALL SCENES
C4	ALLOWANCE \$150		120	-	RETAIL TENANT TEMPORARY LIGHTS
⊠	ALLOWANCE \$100		120	-	SELF POWERED EXIT SIGN
⊠	ALLOWANCE \$100		120	-	SELF POWERED EMERGENCY LIGHT FOR INDOOR
⊠	ALLOWANCE \$100		120	-	REMOTE POWERED WP EMERGENCY LIGHT FOR EXTERIOR

LAMPS AND BALLASTS SHALL BE IN COMPLIANCE WITH LOCAL UTILITY COMPANY REBATE PROGRAMS.  
 ALL LIGHT FIXTURES SHALL HAVE ELECTRONIC BALLASTS THD LESS THAN #15  
 FLUORESCENT FIXTURES SHALL HAVE ELECTRONIC BALLASTS TO KEEP INSULATION AWAY  
 FROM THE FIXTURES. EC SHALL PROVIDE HOODS TO MAINTAIN RATINGS  
 FIXTURES MOUNTED IN RATED CEILINGS (SEE ARCHITECTURAL DRAWINGS). EC SHALL PROVIDE HOODS TO MAINTAIN RATINGS  
 EMERGENCY LIGHTS SHALL HAVE INTEGRAL TEST SWITCHES BUILT INTO FIXTURE (NOT SEPARATE SWITCH)  
 PROVIDE CONSTANT FEED TO BUILT-IN EMERGENCY BATTERY AS REQUIRED



**TEL./CATV RISER DIAGRAM**

N.T.S.



**NOTES**

PROVIDE ADDRESS MODULES FOR ALL FLOW & TAMPER SWITCHES  
 SEE FLOOR PLANS FOR DETECTOR TYPES AND LOCATIONS AND QUANTITIES.  
 SEE SPRINKLER DRAWINGS FOR FLOW/TAMPER SWITCH LOCATIONS AND QUANTITIES.  
 CARRY MINIMUM OF (1)FLOW AND (4)TAMPER SWITCH AT SPRINKLER SERVICE LOCATION AND (1) FLOW/TAMPER SWITCH PER FLOOR PER STAIR.  
 PROVIDE BATTERY CALCULATIONS AND ONE LINE WIRING DIAGRAM  
 PROVIDE TEST CERTIFICATE FROM UL LISTED ALARM COMPANY DIAGRAM

**SEQUENCE OF OPERATION**

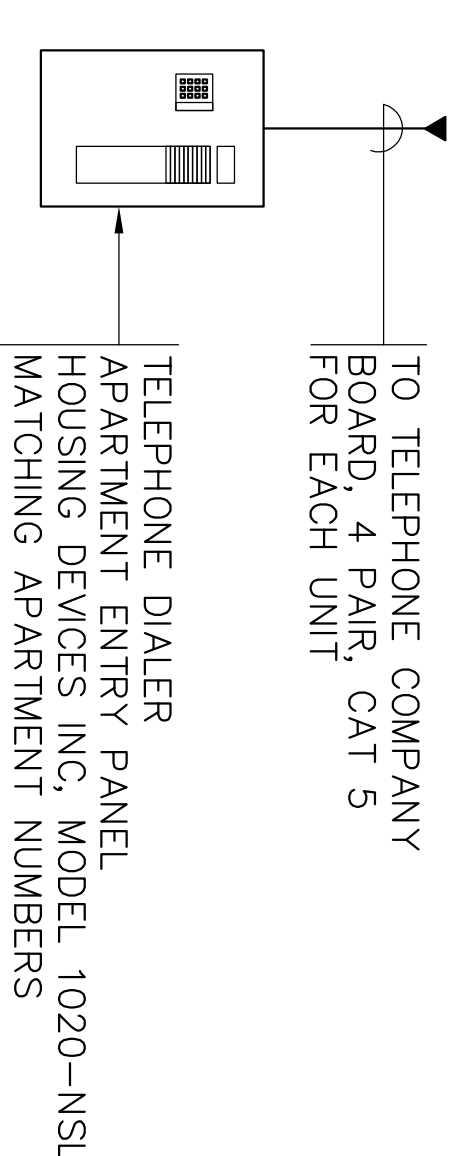
UPON ACTIVATION OF ANY FIRE DETECTOR, MANUAL PULL STATION OR FLOW SWITCH  
 -FIRE ALARM PANEL WILL TRIP AND CALL FIRE DEPARTMENT  
 -ALL AUDIO DEVICES WILL INITIATE ALARM SIGNAL TO ALERT ALL OCCUPANTS FOR ALARM CONDITION IN THE BUILDING FOR FULL EVACUATION.  
 -ALL VISUAL DEVICES WILL ACTIVATE, THEY SHALL BE SYNCHRONIZED TYPE.

**FIRE ALARM SYSTEM RISER DIAGRAM**

**SYMBOL LIST**

- CEILING MOUNTED LIGHT FIXTURE.
- WALL MOUNTED LIGHT FIXTURE.
- ▬ 1"x4" FLUORESCENT STRIP LIGHTS
- ▬ 1"x4" FLUORESCENT WALL/CEILING MOUNTED LIGHT FIXTURE.
- SINGLE POLE LIGHT SWITCH
- THREE-WAY LIGHT SWITCHES
- FOUR-WAY LIGHT SWITCHES
- TIME DELAY SWITCH FOR UNIT BATHROOM CEILING FAN
- DUPLEX RECEPTACLE, 120V/18" AFF.
- DUPLEX RECEPTACLE WITH GROUND FAULT INTERRUPTER 8" ABOVE COUNTER TO Ⓢ
- DUPLEX RECEPTACLE, 120V/18" AFF., ONE OUTLET SWITCHED
- 120V DOUBLE DUPLEX CONVENIENCE RECEPTACLE
- DUPLEX RECEPTACLE ABOVE COUNTER, 8" ABOVE COUNTER TO Ⓢ
- TELEPHONE JACK COMPLETE W/JACK AND COVER, (W" WALL MOUNTED @ 4'-0" AFF)
- CATV OUTLET, COMPLETE W/JACK AND COVER, HEIGHT AT 18" TO Ⓢ AFF.
- MOTOR
- SYSTEM TYPE SMOKE DETECTOR W/BATTERY
- FUSED DISCONNECT SWITCH, (3R RAN-PROOF).
- FIRE ALARM PULL AND A/V DEVICE
- FIRE ALARM PULL STATION CENTRELINE 4'-0" AFF
- FIRE ALARM AUDIO/VISUAL UNIT, MTD. @ 6'-8" AFF
- FIRE ALARM LIGHT MTD. @ 6'-8" AFF
- 110V LOCAL TYPE SMOKE DETECTOR W/BATTERY
- 110V LOCAL TYPE COMBINATION SMOKE AND CO DETECTOR W/BATTERY
- FIRE ALARM MINI HORN
- FIRE ALARM KNOX BOX
- AUTOMATIC DOOR OPERATOR
- MAGNETIC DOOR HOLDER
- HOMERUN TO PANEL WITH CONDUCTOR.(HOT, NEUTRAL, GROUND)
- JUNCTION BOX
- LIGHTING & POWER PANEL, RECESSED
- LOW VOLTAGE PANEL
- FIRE ALARM CONTROL PANEL
- FIRE ALARM ANNUNCIATOR
- TAMPER SWITCH
- FLOW SWITCH
- TIME SWITCH
- PHOTO-CELL
- UNIVERSAL MOUNTING EXIT SIGN (DOUBLE FACED), ARROWS AS INDICATED.
- UNIVERSAL MOUNTING EXIT SIGN (DOUBLE FACED), WITHOUT ARROWS.
- EMERGENCY BATTERY UNIT WITH MOUNTING BRACKET AND VOLT/LETER.

SYSTEM SHALL BE COMPLETE WITH ALL NECESSARY RELAYS/TRANSFORMERS/OTHER COMPONENTS AND WIRED COMPLETE TO UNIT TELEPHONE LINES AS REQUIRED. THERE WILL BE NO SUBSCRIBER LINE IN THIS SYSTEM



**TELEPHONE ENTRY RISER DIAGRAM**

