

SUBMITTAL

Job Title: **BAM BAM BAKERY**

Elevation: (ft) 62

Date: 10/24/2017

Submitted By: Ed Sawyer

BUCKLEY ASSOCIATES INC

510 MAIN STREET

GORHAM, ME 04038

US

Phone: (207)773-0078

Fax: (207)773-0074

Email Address: esawyer@buckleyonline.com



P.O. Box 410 Schofield, WI 54476 (715) 359-6171 FAX (715) 355-2399 www.greenheck.com

Fire Ready Residential Range Hood Model GRRS

Ready for fire!

Cooking is the leading cause of residential building fires. An estimated average of 165,000 cooking fires occur annually, resulting in property loss, injuries and even death.

Residential buildings typically rely on portable fire extinguishers and sprinkler systems to protect property and occupants. Portable extinguishers require early use and manual intervention to contain fires, while sprinkler systems act as a final measure of protection.

The Fire Ready Hood is a dual purpose device. It is both a ventilation hood and a self-contained fire suppression system. The Fire Ready Hood is designed for use above residential style appliances in commercial settings, such as:

- Office lunchrooms
- Military housing
- Assisted living facilities

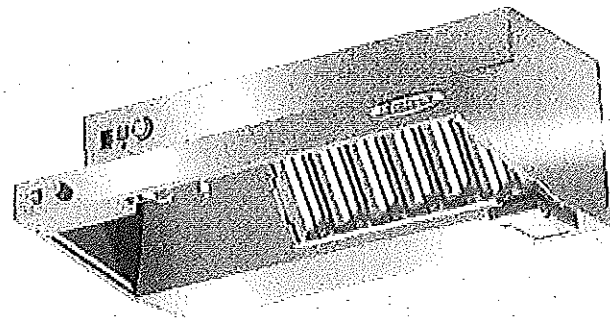
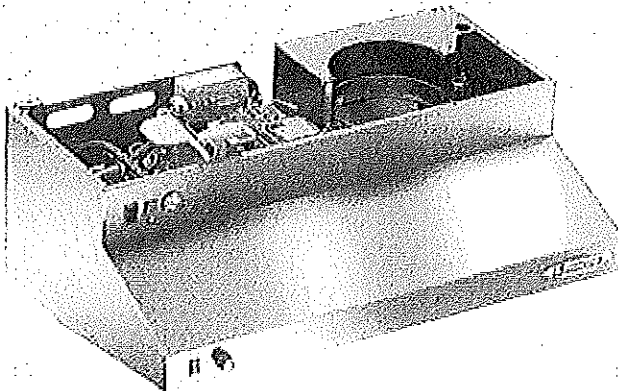
- 30 and 36 inch widths

- UL300A approved

- Front recirculation or external venting

- Optional NFPA101 compliant accessories *Included*

- Gas, electric or dual utility appliance disconnects



Fire Ready Residential Range Hood
Model GRRS

How does it work?

The Fire Ready Hood monitors the hood temperature. In the event of a cooking fire, the Fire Ready Hood will:

- De-energize appliance using supplied disconnect
- Signal an audible alarm
- Engage auxiliary building alarm contacts

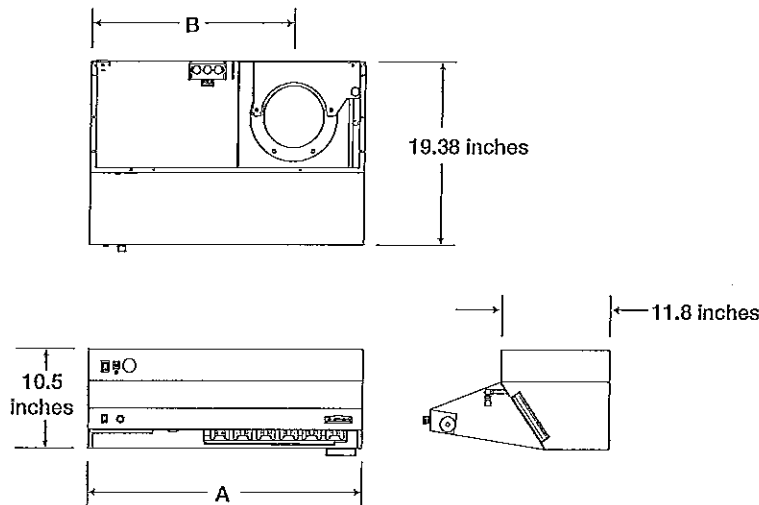
If the hood temperature continues to climb, a fusible link will melt. This will release wet chemical suppression agent through nozzles, suppressing the cooking fire.

Features and Benefits



The Fire Ready Hood model GRRS is equipped with standard features that add value while preventing cooking fires from getting out of control.

Feature	Benefit
Fusible Link	Reliable mechanical fire detection.
Appliance Disconnect	De-energizes appliance if hood temperature climbs too high.
Amerex® 660 Wet Chemical Agent	Quickly suppresses flames – cleans up with soap and water.
Audible Alarm	Alerts occupants of fire danger.
ECM Fan Motor	Adjustable fan speed for odor and sound control.



Intertek

The ETL Listed Mark is accepted as a product's mark of compliance to applicable electrical, gas and other safety standards. Intertek is an OSHA recognized NRTL (Nationally Recognized Testing Laboratory) and accredited as a Testing Organization and Certification Body by the Standards Council of Canada.

Dimensional Data

Model	Dimensions (inches)	
	A	B
GRRS-30	29.875	22.1
GRRS-36	35.875	25.1

Dimensional data shown is for standard top discharge hood. NFPA101 compliant accessories may change hood height, depending on configuration.

Our Commitment

As a result of our commitment to continuous improvement, Greenheck reserves the right to change specifications without notice.

Specific Greenheck product warranties are located on greenheck.com within the product area tabs and in the Library under Warranties.



Prepared to Support
Green Building Efforts

Greenheck P.O. Box 410 • Schofield, WI 54476-0410 • Phone (715) 359-6171 • greenheck.com

Copyright © 2014 Greenheck Fan Corp. • 00.KIT.1014 R1 10-2014 IW

GRRS Residential Range Hood

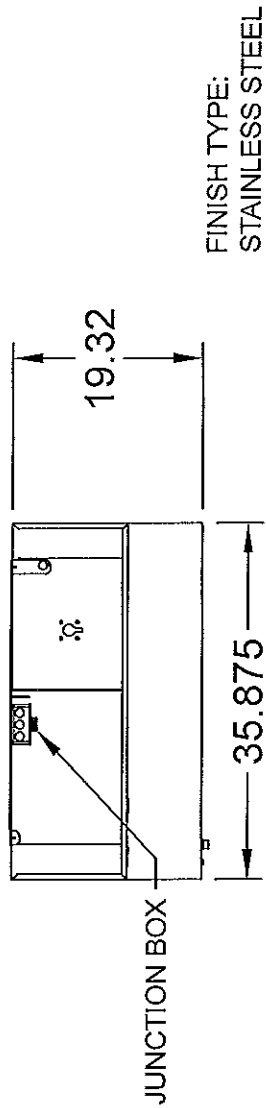
Quantity	Model	Hood Length (in.)	Ventilation	Range Disconnect Type	Volume (CFM)
1	GRRS	36	Integral Fan - Front Recirculation	Gas (3/4" Gas Valve, 115 VAC)	140

Selected Options & Accessories:

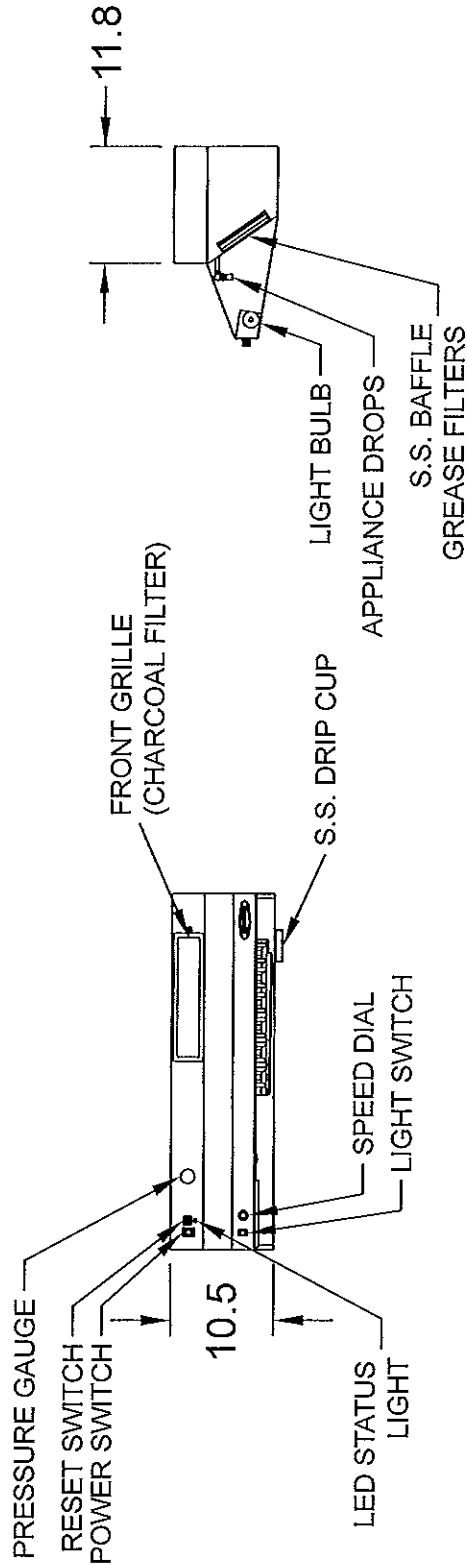
Option or Accessory	Description
Manual Pull Station Kit	Includes box, face plate, 3 elbows, and 25 ft cable

UL Listing: UL300A

Features:
 Self-Contained Fire Suppression System
 Light & Fan Switches



PLAN VIEW



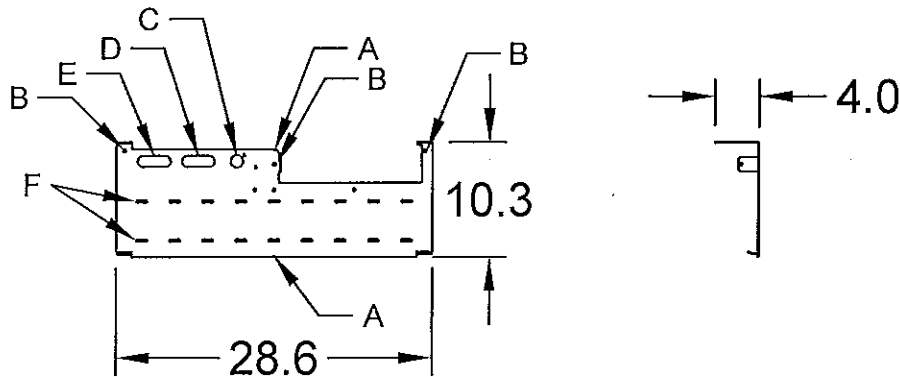
ELEVATION VIEW

SECTION VIEW

MARK: Mark 1 (1)

NOTE: All dimensions are in units of in.

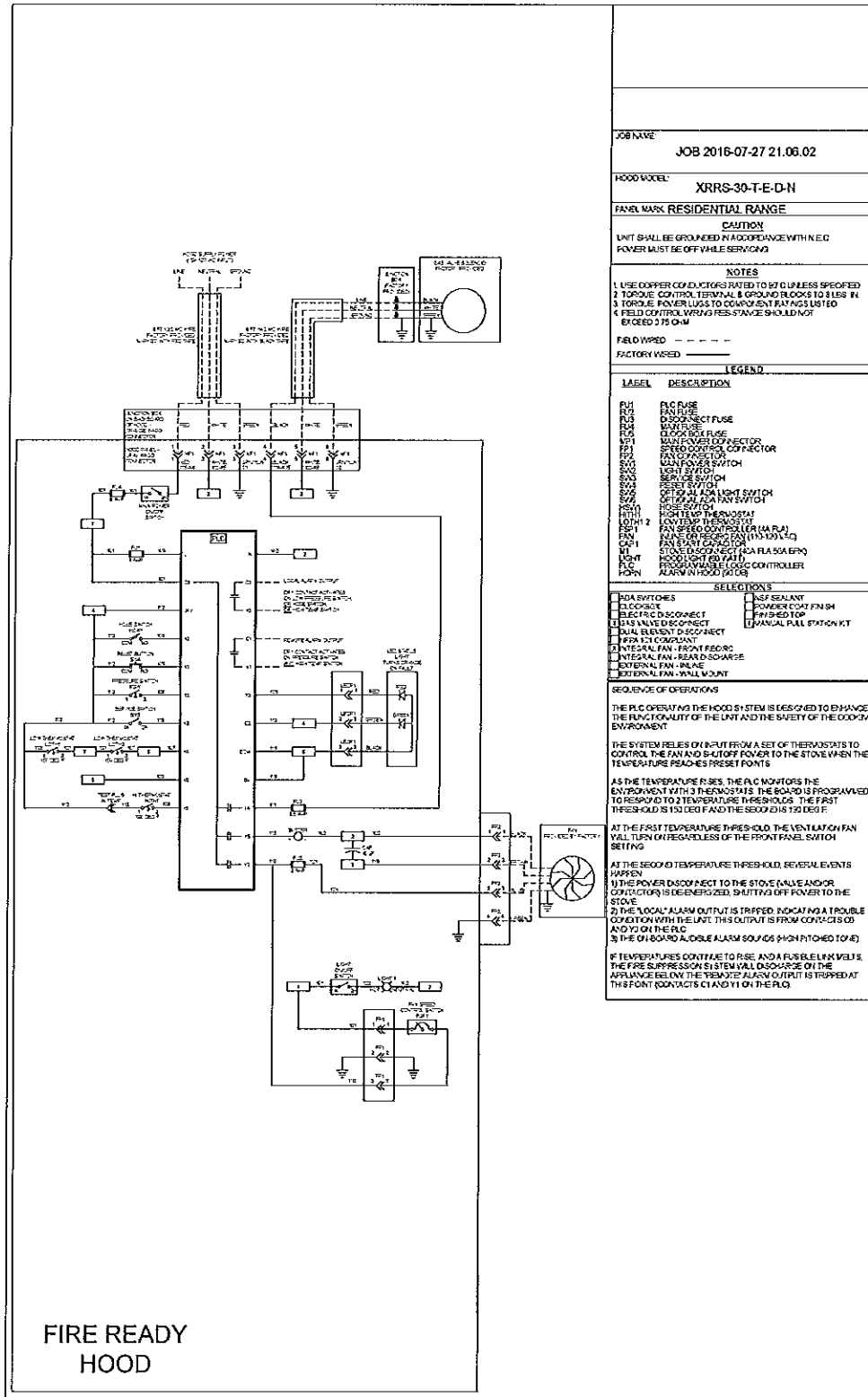
MOUNTING BRACKET



MOUNTING BRACKET: KEY

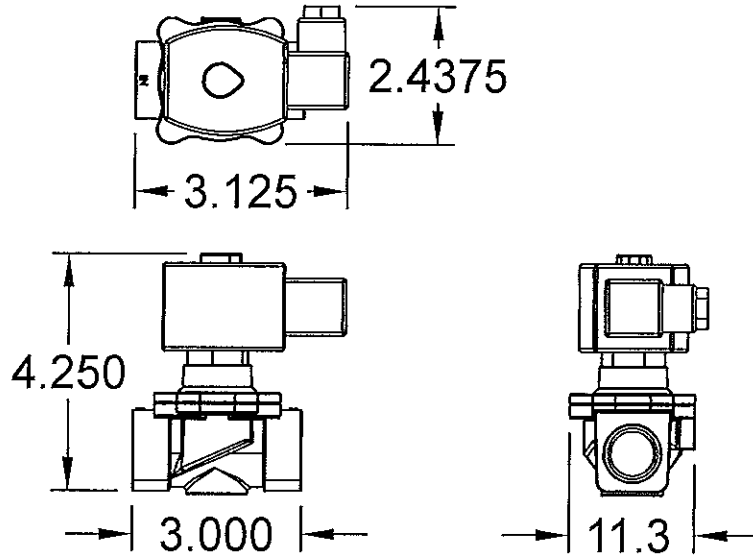
- A. CENTER NOTCHES
- B. CRITICAL MOUNTING POINTS (MUST BE SECURED TO STUDS OR D/W HANGERS)
- C. REAR ACCESS TO JUNCTION BOX (NOT SHOWN)
- D. PRIMARY ACCESS POINT FOR CONNECTIONS TO JUNCTION BOX (RECOMMENDED)
- E. SECONDARY ACCESS POINT FOR CONNECTIONS TO HOOD (OPTIONS/ACCESSORIES)
- F. ADDITIONAL MOUNTING POINTS (SECURE MINIMUM OF 3 SCREWS PER ROW)

NOTE: All dimensions are in units of in.



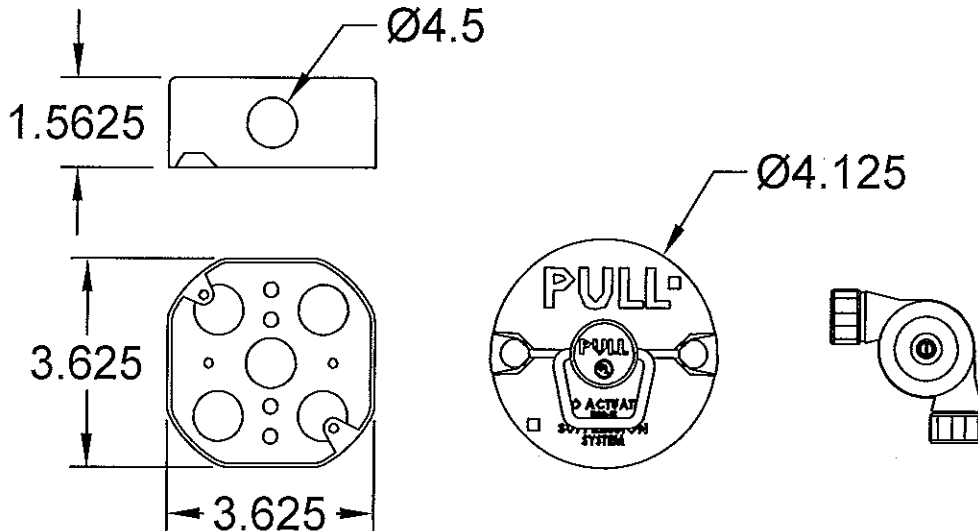
NOTE: All dimensions are in units of in.

CONTROLLED GAS SOLENOID VALVE



Included: 6ft Shielded control wire - plug & play connection

MANUAL PULL STATION KIT



Included: 18ft braided metal rope 3 corner pulley's

NOTE: All dimensions are in units of in.