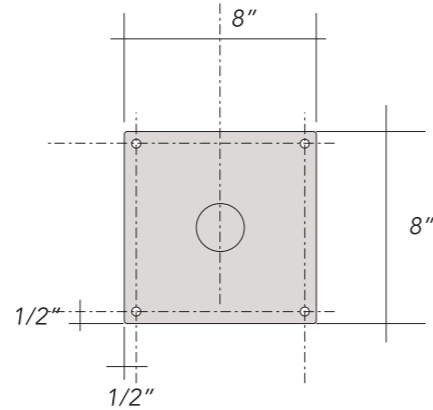
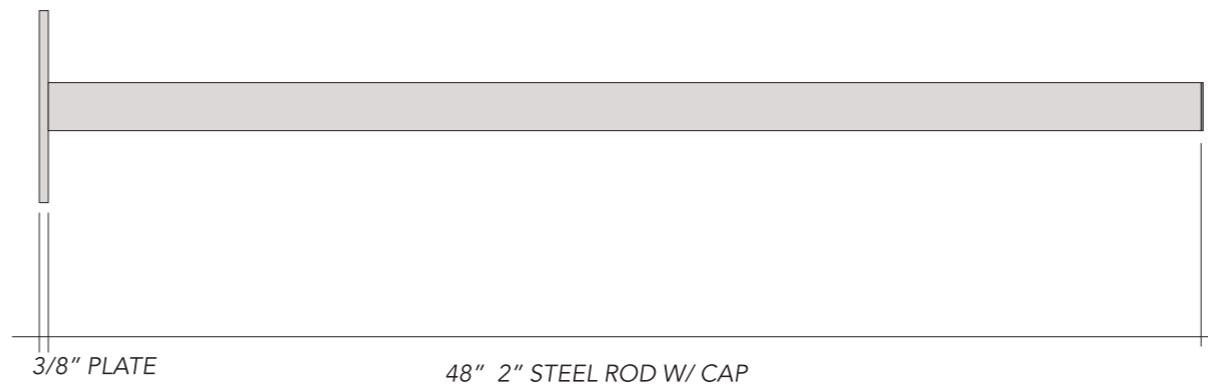


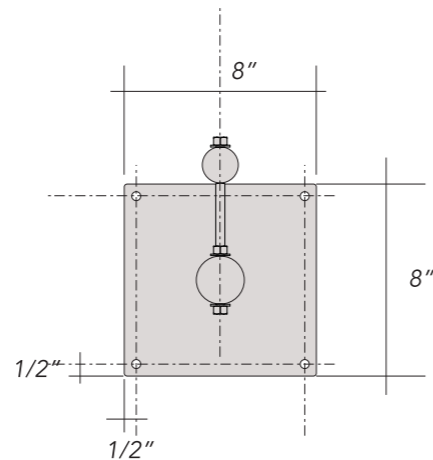
8" X 8" X 3/8" THICK
STEEL MOUNTING PLATE
(4) 3/8" MOUNTING HOLES



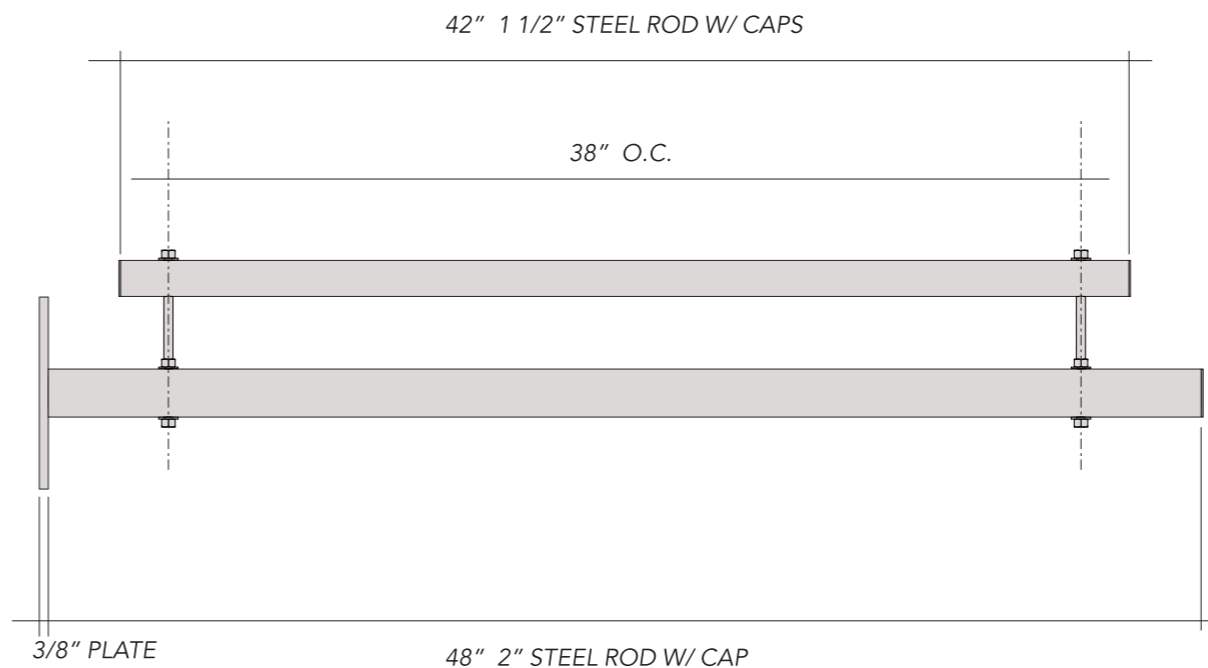
(6) TOP BRACKETS : PAINTED



8" X 8" X 3/8" THICK
STEEL MOUNTING PLATE
(4) 3/8" PREDRILLED HOLES
PAINTED:



(6) BOTTOM TOP BRACKETS WITH TENSIONING SET UP: PAINTED



TOTAL (6) D.F. 12'-0" X 3'-0" (FINISHED DIMENSIONS) BANNERS

INDIVIDUAL BANNER CONSTRUCTION
(2) S.F. BACK TO BACK BANNERS WITH CUSTOM PRINTS
19OZ. 3M PANAGRAPHICS III FLEXIBLE BANNER MATERIAL
WITH BLOCK OUT FILLER (TO ELIMINATE GHOSTING)
STITCHED SIDES AND REINFORCED POLE HEMS TOP & BOTTOM
WIND SLITS

REF. DR. _____



www.baileysign.com
9 Thomas Drive
Col. Westbrook Executive Park
Westbrook, ME 04092
207-774-2843 / 1-800-539-SIGN
Fax: 774-1193
E-Mail: sales@baileysign.com

PLEASE NOTE:
THIS IS A PROGRESS PRINT - FIELD MEASUREMENTS MAY OR MAY NOT NEED TO BE VERIFIED.
THIS DESIGN IS THE EXCLUSIVE PROPERTY OF BAILEY SIGN INCORPORATED AND ALL RIGHTS TO ITS USE OR REPRODUCTION ARE RESERVED.

THE ACCURACY OF THIS COLOR RENDERING IS LIMITED BY MEDIA AND OUTPUT DEVICES AND IS INTENDED FOR REPRESENTATIONAL USE ONLY. ACTUAL MANUFACTURING/GRAPHIC COLORS ALSO VARY DEPENDING ON PROCESSES & MATERIALS USED. 100% COLOR MATCHES OF SUBMITTED SPECIFICATIONS CAN NOT BE GUARANTEED.

IF AN ELECTRIC SIGN, THEN INSTALLATION MUST BE ACCOMPLISHED IN TOTAL COMPLIANCE WITH ARTICLE 600 OF THE NATIONAL ELECTRIC CODE, THE REQUIREMENTS OF UNDERWRITERS LABORATORY, CANADIAN STANDARDS ASSOCIATION AND/OR ANY APPLICABLE LOCAL CODES. THIS INCLUDES PROPER GROUNDING AND BONDING OF THE SIGN.

ALL ELECTRICAL SIGNS REQUIRE ROUTINE MAINTENANCE.

VOLTAGE

APPROVAL

CLIENT	APPROVED	DATE
	BAILEY SIGN REPRESENTATIVE	
	APPROVED	DATE

 	DESIGNATED COPY FOR:
	ESTIMATING/OUTSOURCING
	GRAPHICS
	FABRICATION
	ROUTER
	PAINT
	INSTALLATION

CUSTOMER / SIGN LOCATION

MEMIC
261 COMMERCIAL STREET
PORTLAND, MAINE

SALESPERSON: DE DRAWN BY: LWM

WORK ORDER #	CUSTOMER #	CRM #
1763.1	6082	

SCALE	DATE
1/2" = 1'	2/1/18

REVISION # / DATE / NOTES / INITIALS

DRAWING #

07975 B

SHEET _____ OF _____