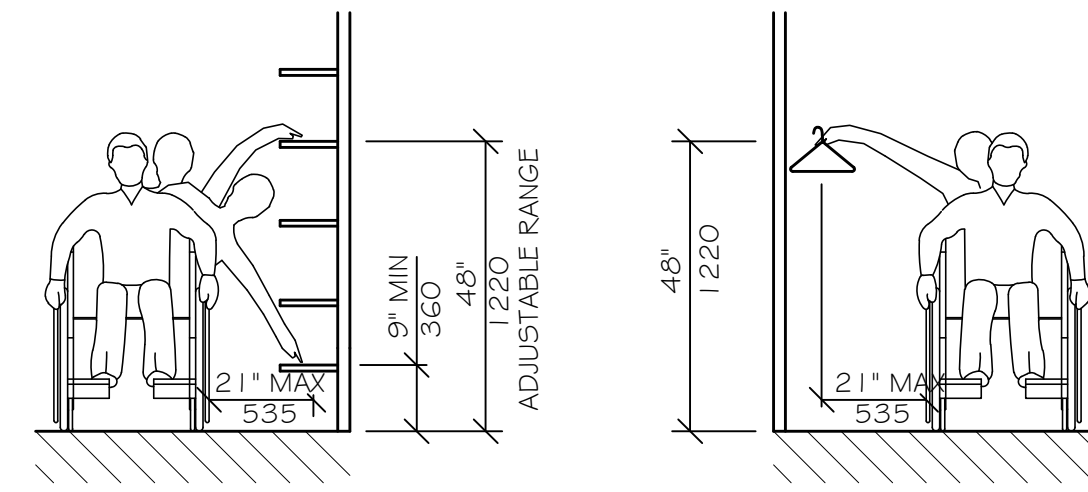
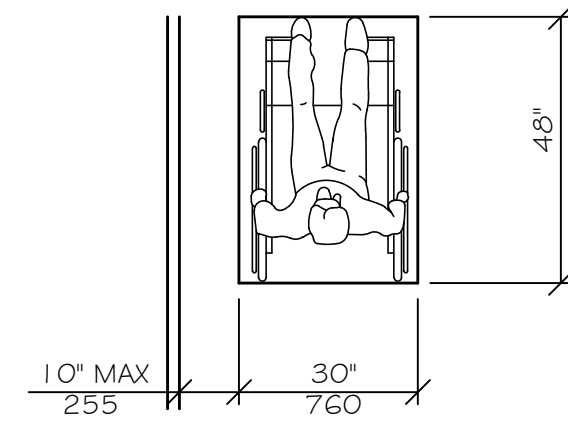


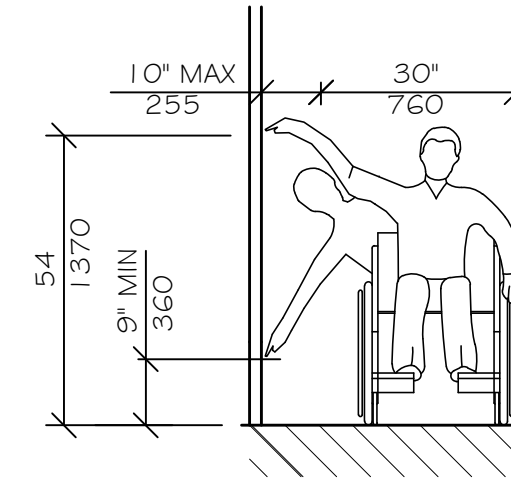
HIGH FORWARD REACH LIMIT
NTS



SHELVES
CLOSETS
STORAGE SHELVES AND CLOSETS
NTS



**CLEAR FLOOR SPACE
PARALLEL APPROACH**
NTS



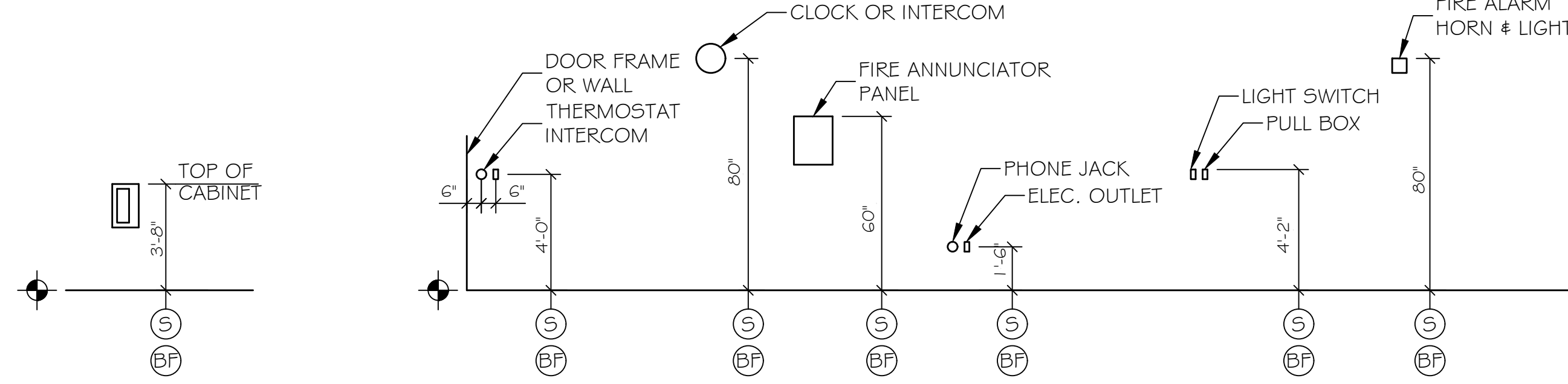
**HIGH AND LOW
SIDE REACH LIMITS**
NTS

LEGEND

- (S) STANDARD MOUNTING HEIGHT
- (BF) BARRIER FREE ADULT MOUNTING HEIGHT
- ◆ FINISH FLOOR LINE

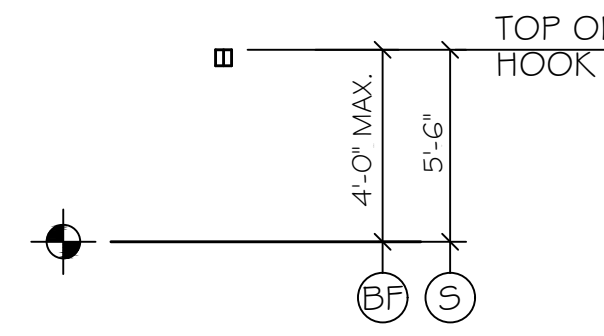
NOTE

MOUNT ALL FIXTURES AT STANDARD MOUNTING HEIGHT UNLESS INDICATED ON PLAN BY A & B SYMBOL. A & B SYMBOL AT ANY ROOM SHALL INCLUDE ONE OF ANY FIXTURE AND ACCESSORY WITHIN THE ROOM.

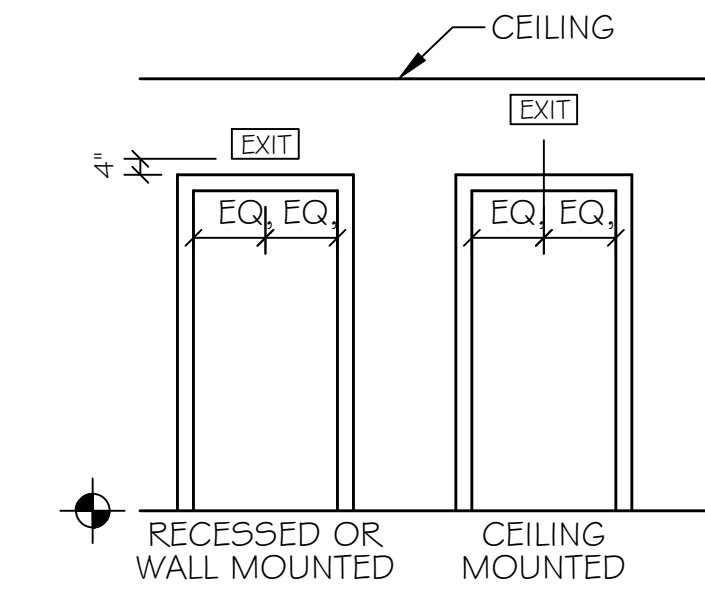


**FIRE EXTINGUISHER
CABINET (FEC)**
NTS

**ELECTRICAL & FIRE PROTECTION DEVICES
TYPICAL UNLESS NOTED OTHERWISE**
NTS



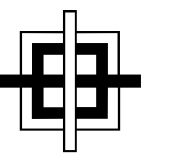
CLOTHES HOOK
NTS



**EXIT SIGNS
(TYPICAL UNLESS OTHERWISE NOTED)**
NTS

ACCESSIBILITY GENERAL NOTES

1. DOORWAYS SHALL HAVE A MINIMUM CLEAR WIDTH OF 32" WITH THE DOOR OPEN 90 DEGREES. MEASURED BETWEEN THE FACE OF THE DOOR AND THE OPPOSITE STOP.
2. ALL DOORS SHALL HAVE LEVER HANDLE HARDWARE, EXCEPT AT SECURED STORAGE ROOMS, MECHANICAL ROOMS, AND ELEVATOR MACHINE ROOMS.
3. ALL CLOSERS SHALL BE 5LB PULL MAXIMUM AT DOORS EQUIPPED WITH LEVER HANDLE HARDWARE.
4. ALL DOORS WITH CLOSERS SHALL HAVE 18" CLEAR DISTANCE FROM THE LATCHSIDE OF THE OPENING TO ANY ADJACENT WALL OR OBSTRUCTION ON THE PULL SIDE OF THE OPENING.
5. ALL DOORS WITH CLOSERS SHALL HAVE 12" CLEAR DISTANCE FROM THE LATCHSIDE OF THE OPENING TO ANY ADJACENT WALL OR OBSTRUCTION ON THE PUSH SIDE OF THE OPENING.
6. COMPLY WITH 2010 EDITION OF THE AMERICANS WITH DISABILITIES ACT.



**GRANT HAYS
ASSOCIATES**
ARCHITECTURE & INTERIOR DESIGN
P.O. BOX 6179 FALMOUTH MAINE 04105
207.871.5900 www.granthays.com



REVISIONS

DRAWING NAME

MEMIC
RENOVATION TO
HUMAN RESOURCES AT
261 COMMERCIAL ST. PORTLAND, MAINE 04101

SHEET

**ACCESSIBILITY
DETAILS
& NOTES**

DATE: 23 FEB 2017
SCALE: NO SCALE
DRAWN: MFH/mgk
JOB NO: 170203

SHEET
A-4
COPYRIGHT REPRODUCTION OR REV. OF THIS DOCUMENT WITHOUT WRITTEN PERMISSION FROM GRANT HAYS ASSOCIATES IS PROHIBITED.