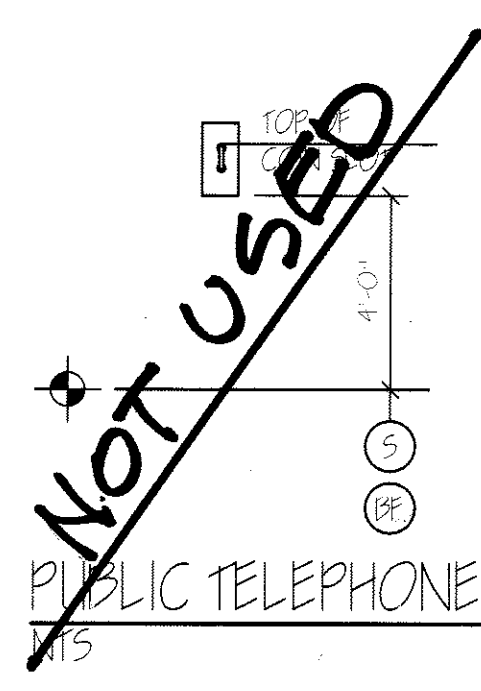
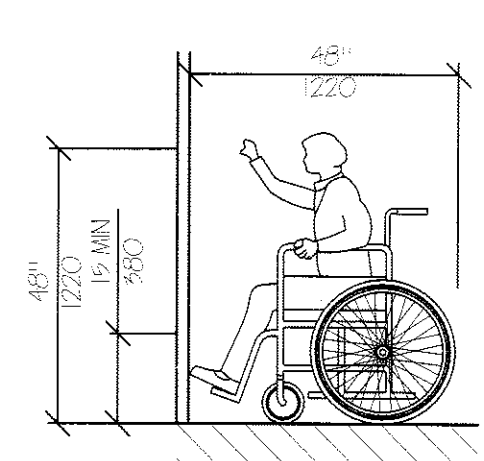


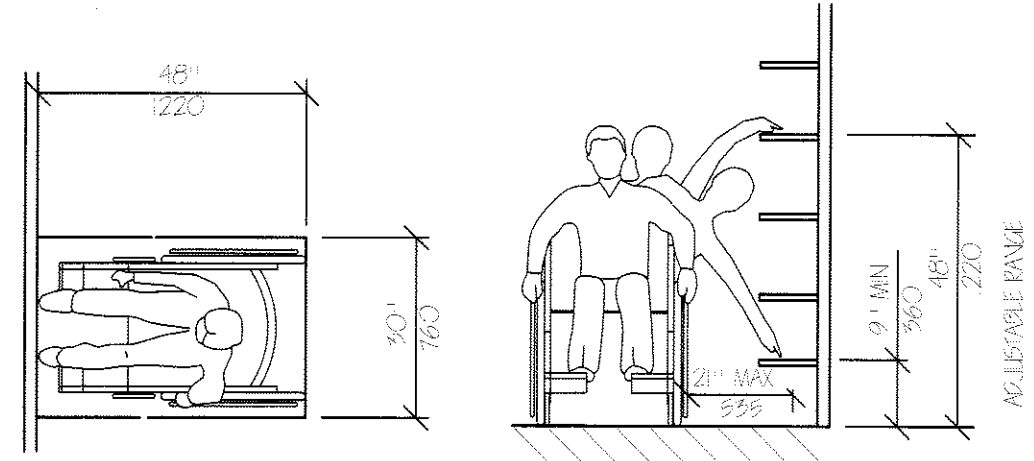
MIRROR OR MEDICINE CABINET
NTS



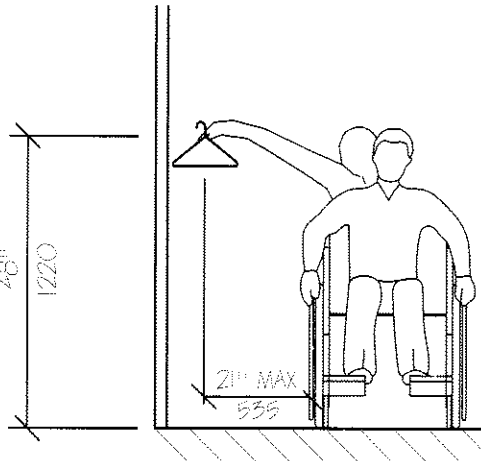
~~NOT USED~~
PUBLIC TELEPHONE
NTS



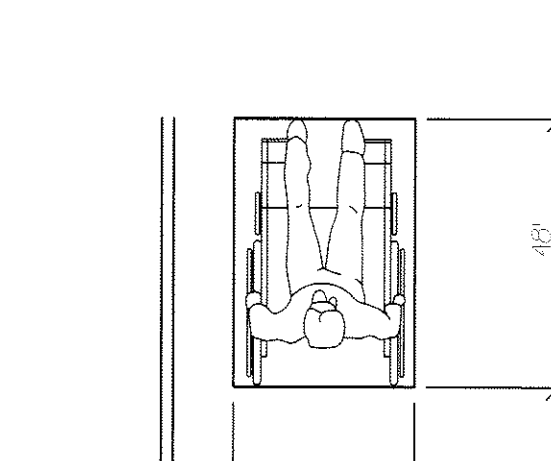
HIGH FORWARD REACH LIMIT
NTS



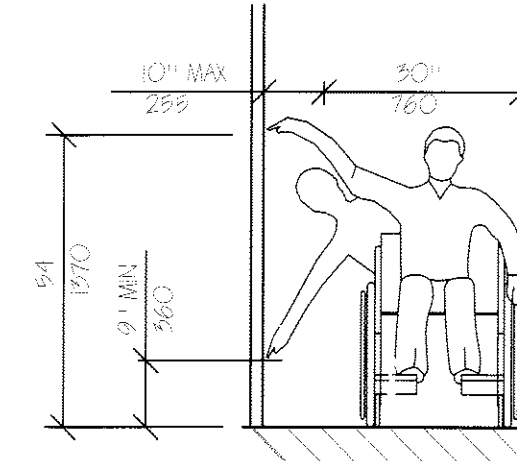
STORAGE SHELVES AND CLOSETS
NTS



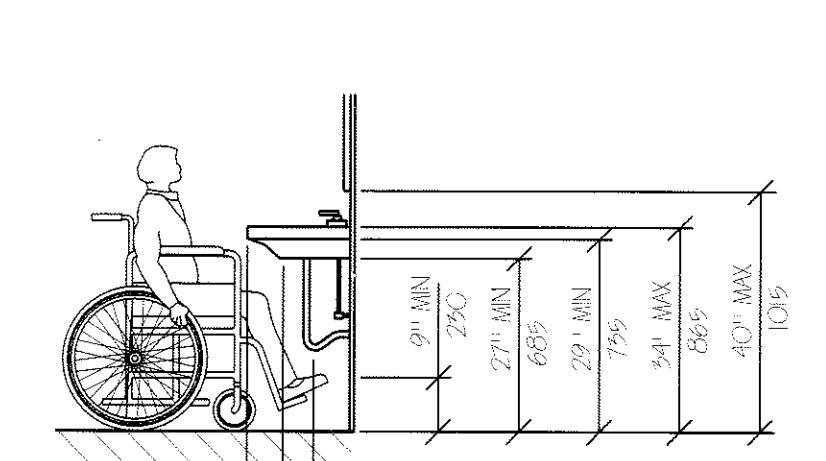
CLOSETS



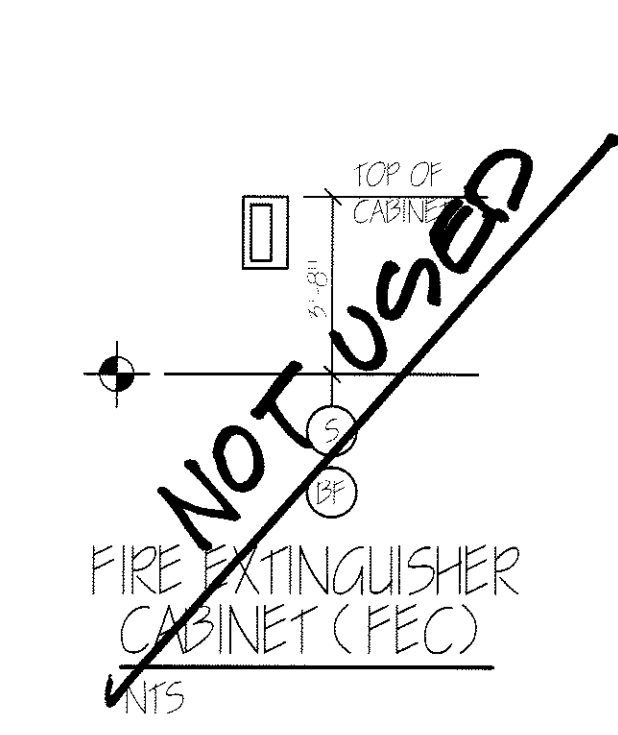
CLEAR FLOOR SPACE
PARALLEL APPROACH
NTS



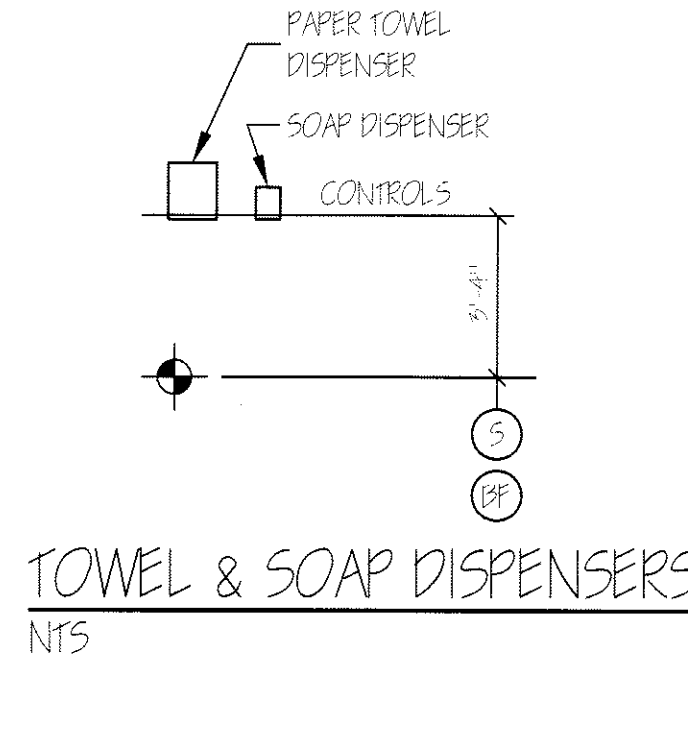
HIGH AND LOW
SIDE REACH LIMITS
NTS



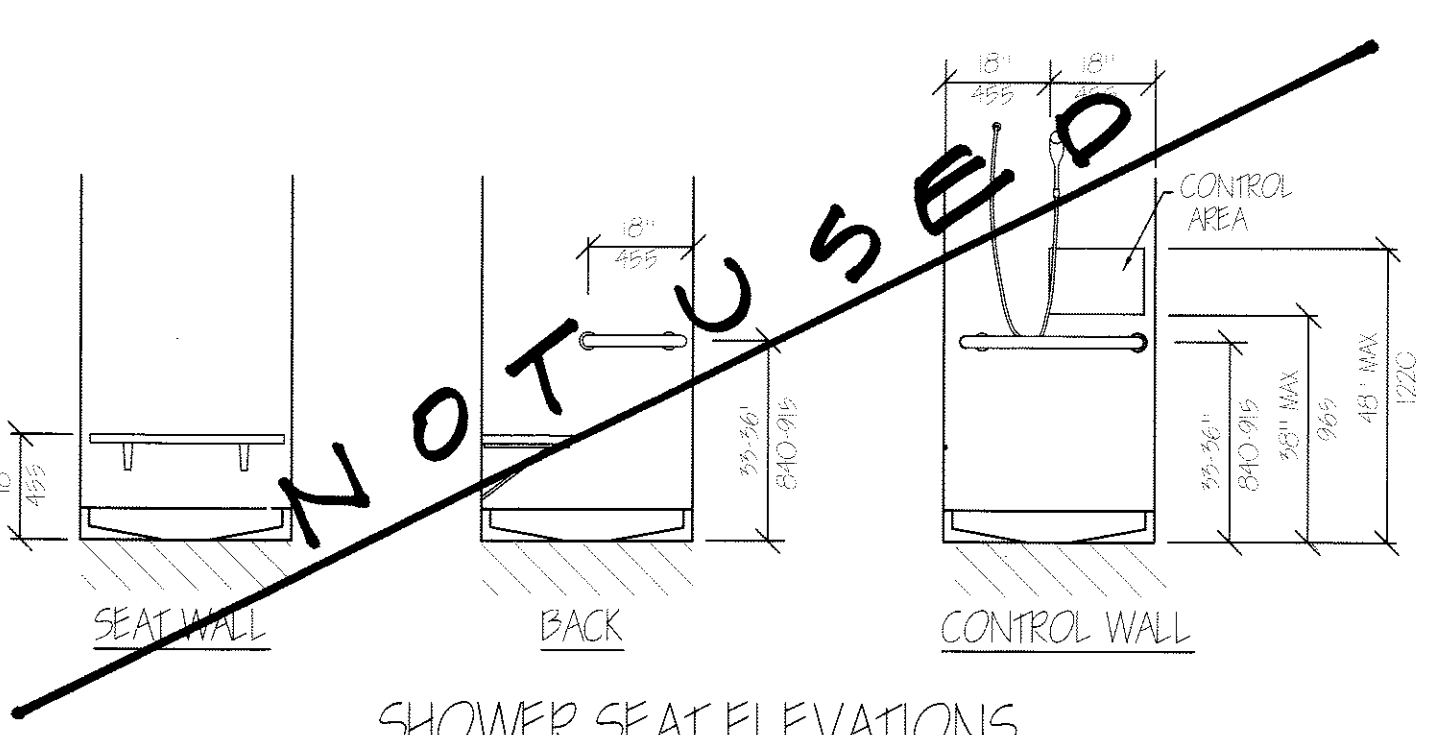
LAVATORY CLEARANCES
NTS



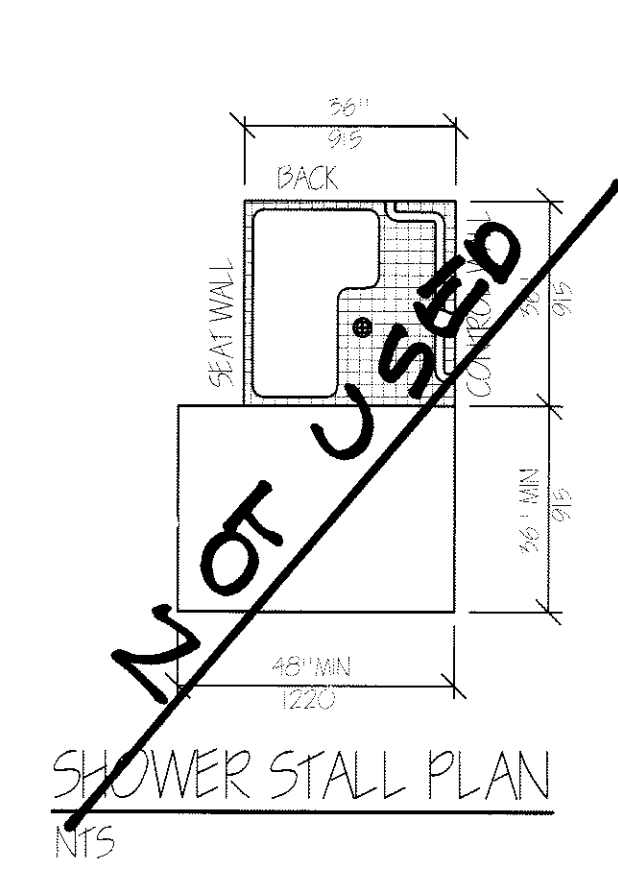
~~NOT USED~~
FIRE EXTINGUISHER
CABINET (FEC)
NTS



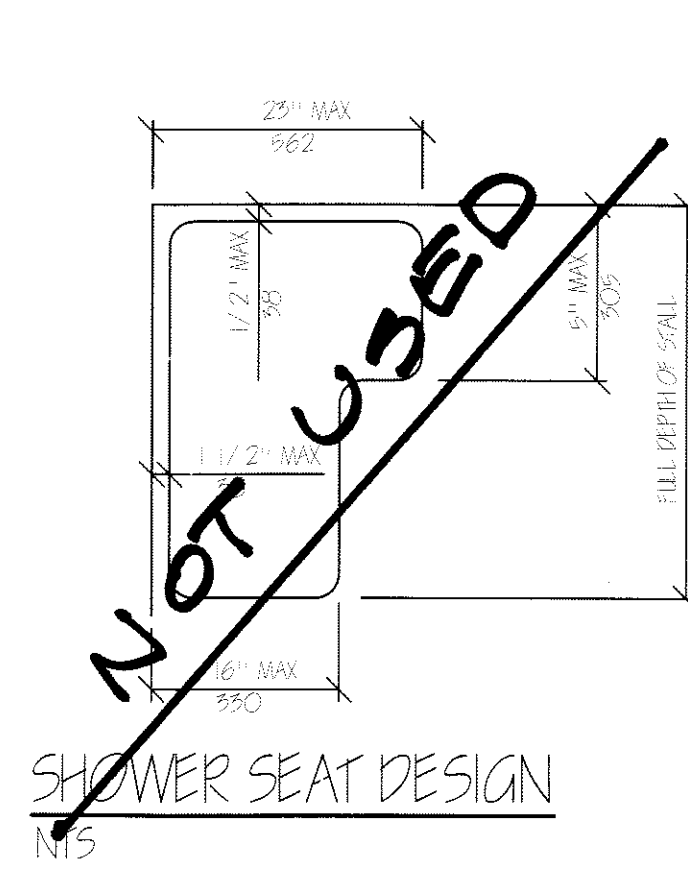
TOWEL & SOAP DISPENSERS
NTS



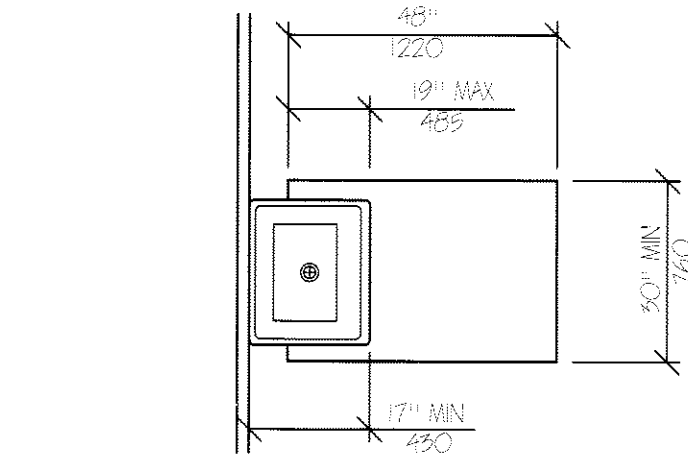
~~NOT USED~~
SHOWER SEAT ELEVATIONS
NTS



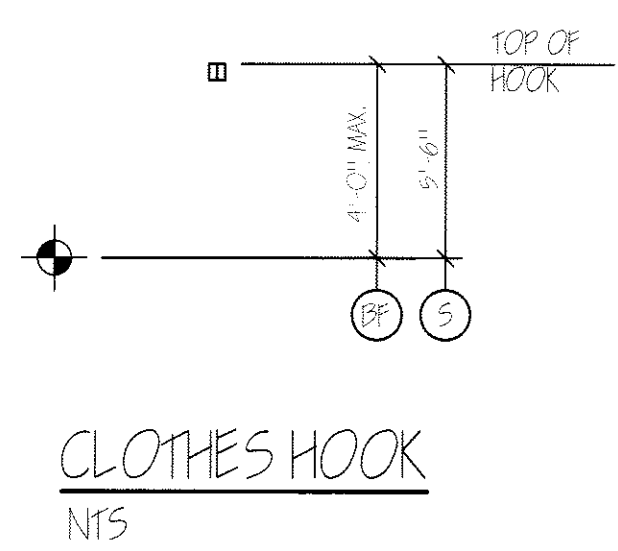
~~NOT USED~~
SHOWER STALL PLAN
NTS



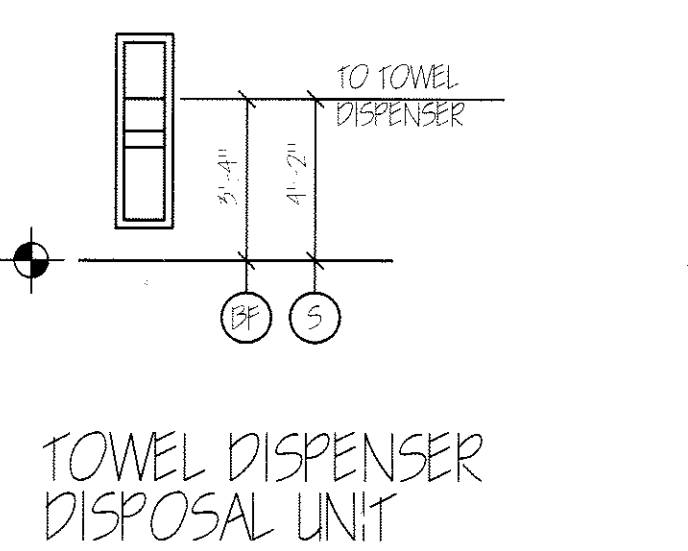
~~NOT USED~~
SHOWER SEAT DESIGN
NTS



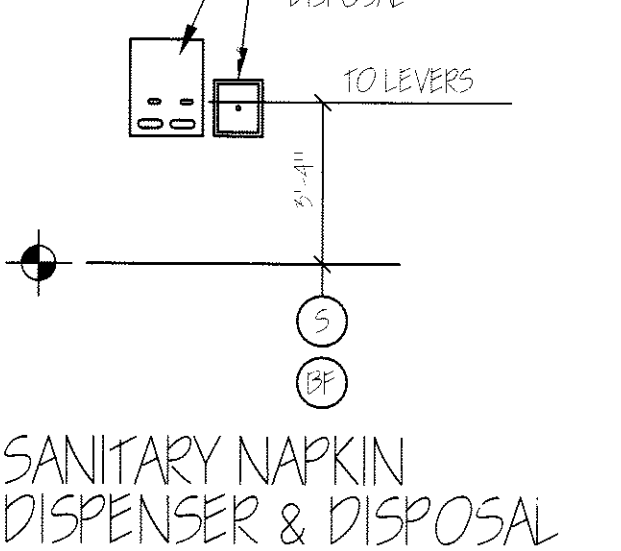
CLEAR FLOOR SPACE
AT LAVATORIES
NTS



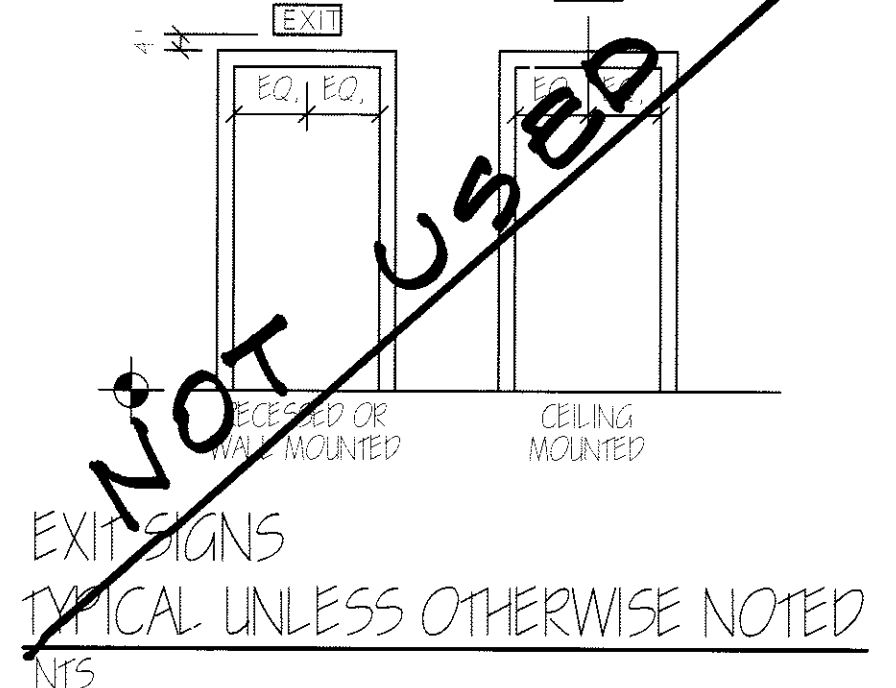
CLOTHES HOOK
NTS



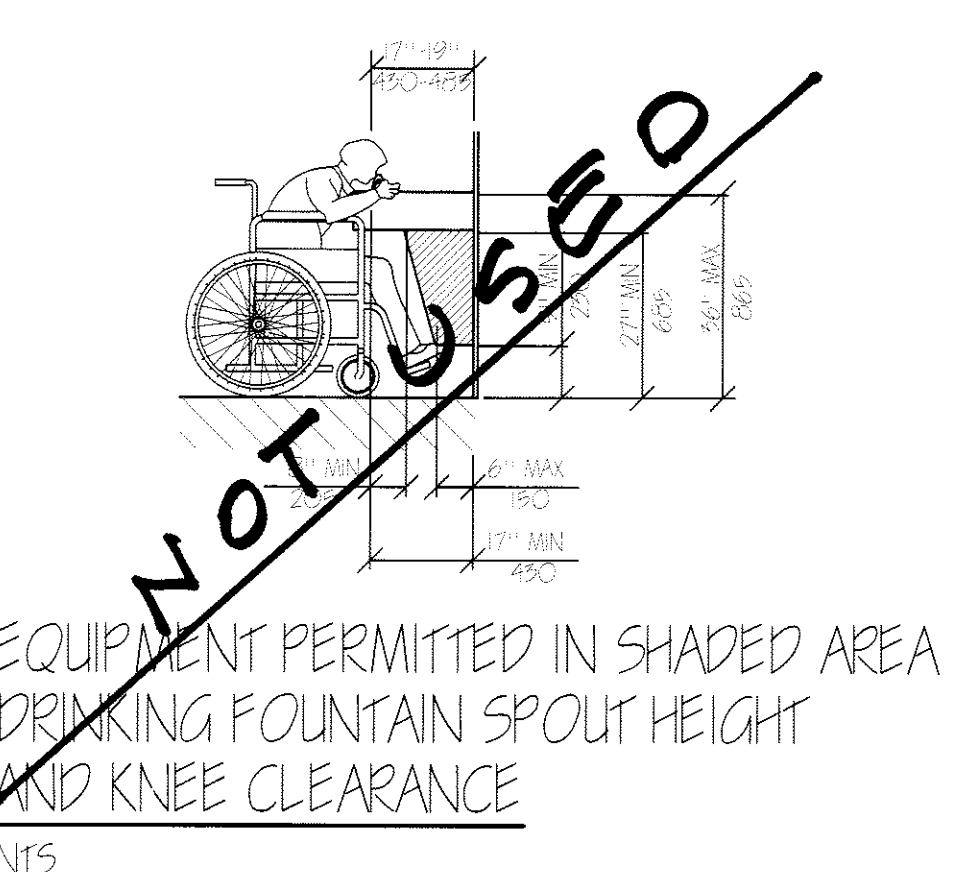
TOWEL DISPENSER
DISPOSAL UNIT
NTS



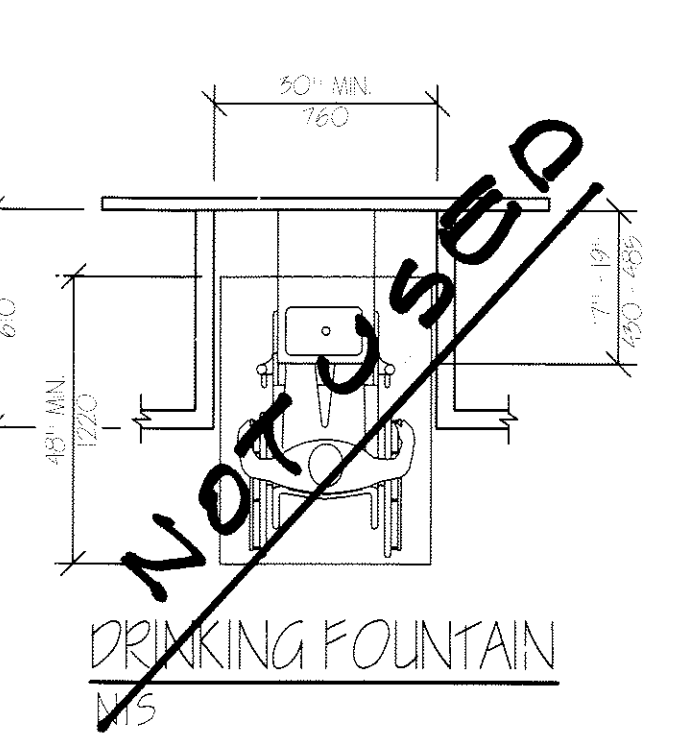
SANITARY NAPKIN
DISPENSER & DISPOSAL
NTS



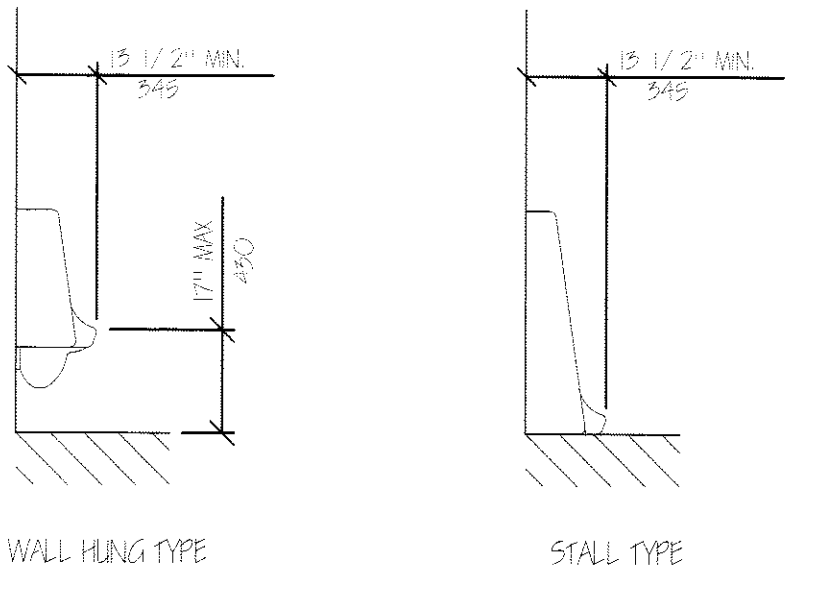
~~NOT USED~~
EXIT SIGNS
TYPICAL UNLESS OTHERWISE NOTED
NTS



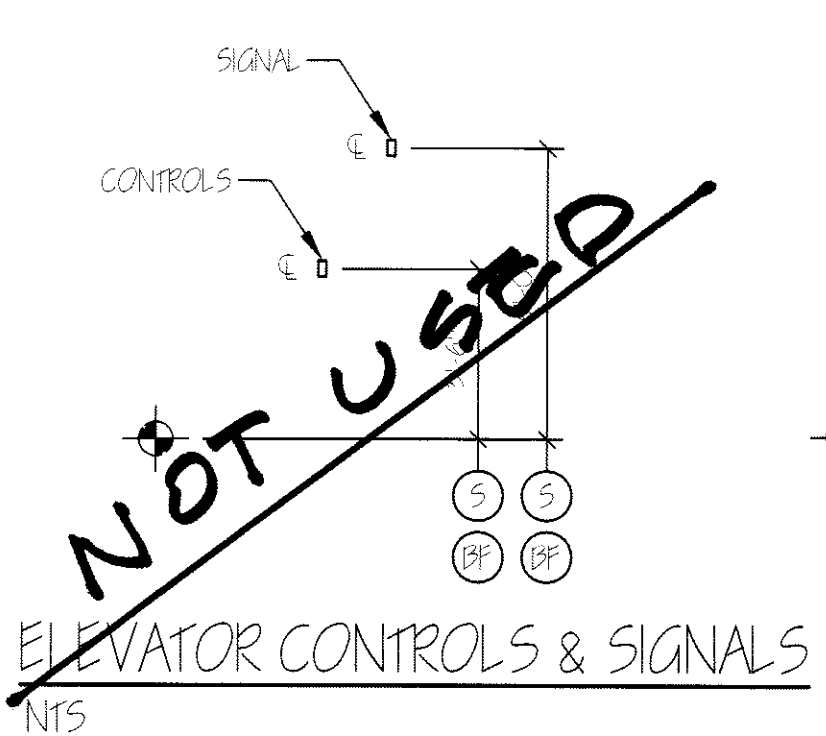
~~NOT USED~~
EQUIPMENT PERMITTED IN SHADED AREA
DRINKING FOUNTAIN SPOUT HEIGHT
AND KNEE CLEARANCE
NTS



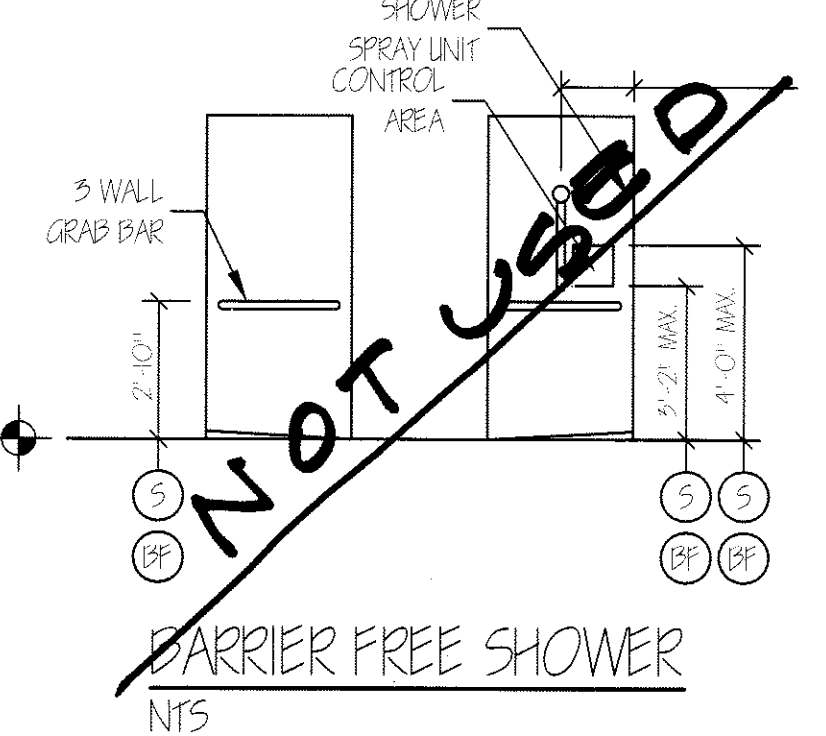
~~NOT USED~~
DRINKING FOUNTAIN
NTS



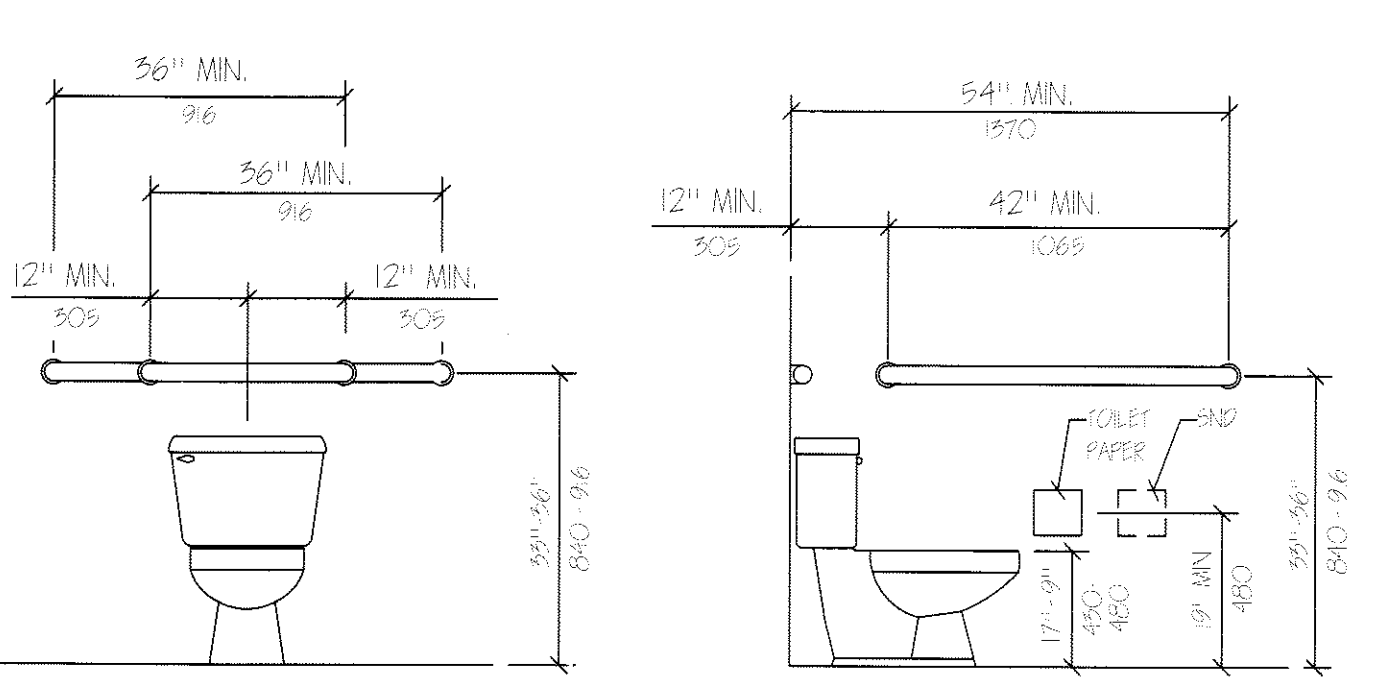
HEIGHT AND DEPTH OF URINALS
NTS



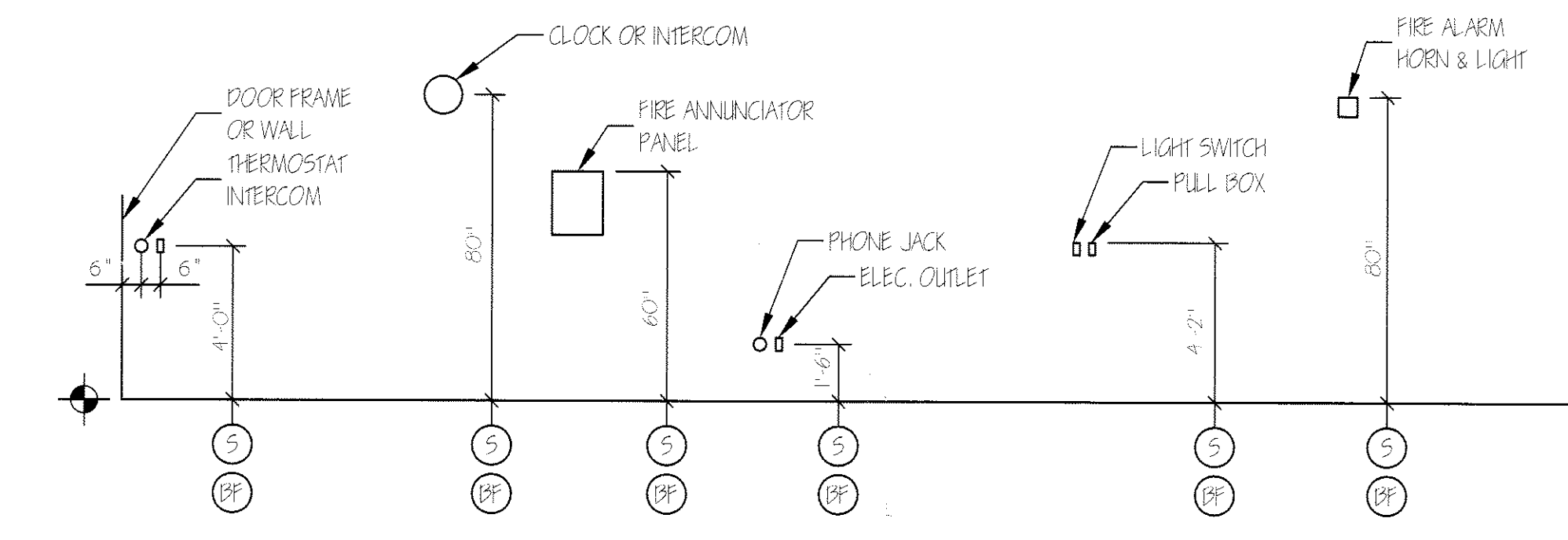
~~NOT USED~~
ELEVATOR CONTROLS & SIGNALS
NTS



~~NOT USED~~
BARRIER FREE SHOWER
NTS

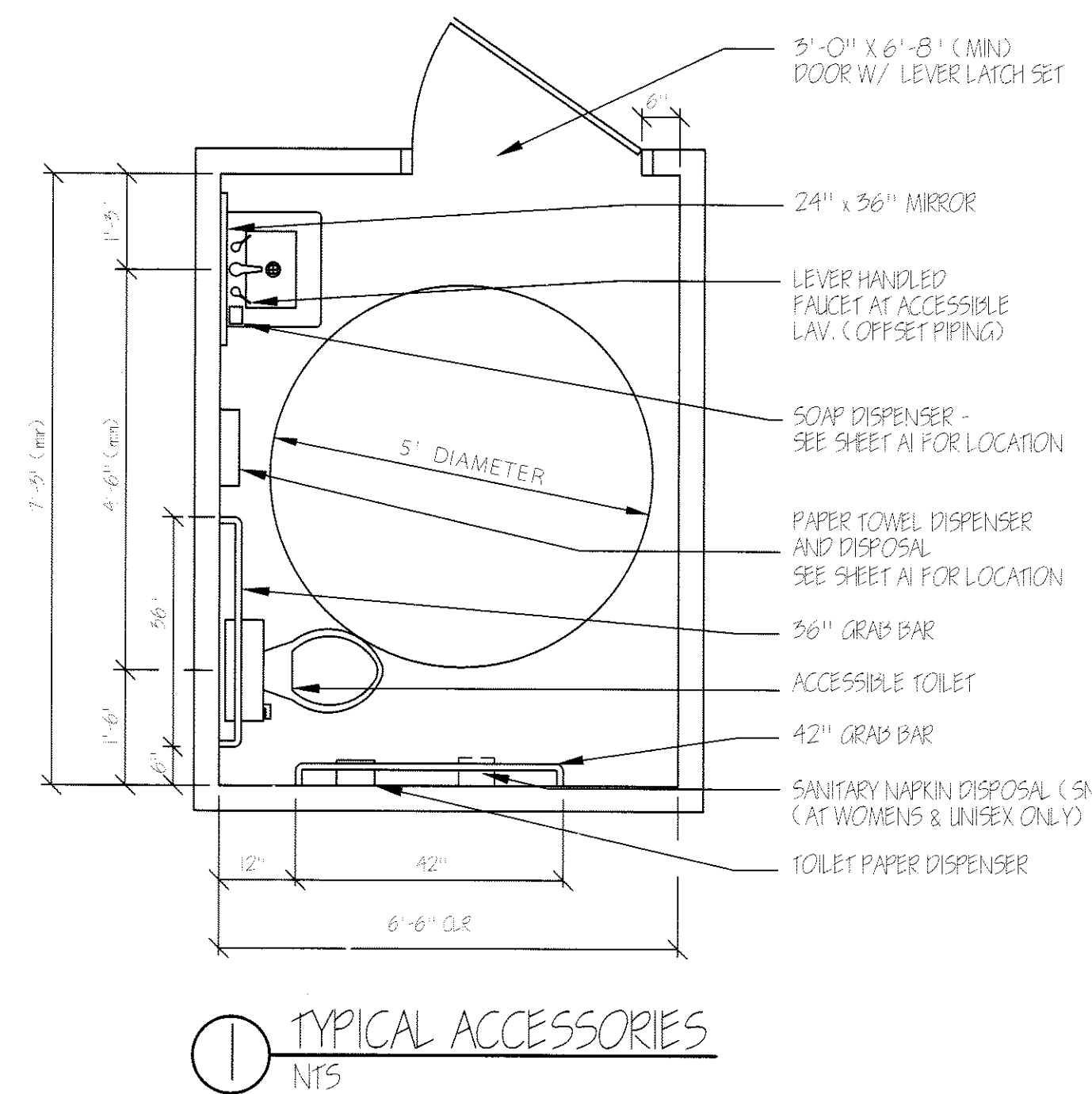


GRAB BARS AT WATER CLOSETS
NTS



ELECTRICAL & FIRE PROTECTION DEVICES
TYPICAL UNLESS NOTED OTHERWISE
NTS

LEGEND
 (S) STANDARD MOUNTING HEIGHT
 (PK) BARRIER FREE ADULT MOUNTING HEIGHT
 (◆) FINISH FLOOR LINE
NOTE
 MOUNT ALL FIXTURES AT STANDARD MOUNTING HEIGHT UNLESS INDICATED ON PLAN BY A (S) SYMBOL. A (PK) SYMBOL AT ANY ROOM SHALL INCLUDE ONE OF ANY FIXTURE AND ACCESSORY WITHIN THE ROOM.



TYPICAL ACCESSORIES
NTS

ACCESSIBILITY ACCESSORY MOUNTING HEIGHTS

GRAB BARS	33" - 36"
TOILET PAPER HOLDER	19" MIN
TOWEL BAR/ PAPER TOWEL DISPENSER	48" MAX
BUILT IN PAPER TOWEL DISPENSER	48" MAX
SOAP DISPENSER AT WALL	48" MAX
SANITARY NAPKIN DISPENSER	19" MAX
SANITARY NAPKIN DISPOSAL	48" MAX
MIRROR (BOTTOM)	40" MAX
SHELVES/ STORAGE	48" MAX
ELECTRICAL SWITCHES/ OUTLETS	48" MAX
COAT HOOKS/ RODS	48" MAX
SIGNAGE (TO BRILLE COMPONENT)	60" MAX

ACCESSIBILITY GENERAL NOTES

- DOORWAYS SHALL HAVE A MINIMUM CLEAR WIDTH OF 32" WITH THE DOOR OPEN 90 DEGREES, MEASURED BETWEEN THE FACE OF THE DOOR AND THE OPPOSITE STOP.
- ALL DOORS SHALL HAVE LEVER HANDLE HARDWARE, EXCEPT AT SECURED STORAGE ROOMS, MECHANICAL ROOMS, AND ELEVATOR MACHINE ROOMS.
- ALL CLOSERS SHALL BE SLIP PULL MAXIMUM AT DOORS EQUIPPED WITH LEVER HANDLE HARDWARE.
- ALL DOORS WITH CLOSERS SHALL HAVE 18" CLEAR DISTANCE FROM THE LATCHSIDE OF THE OPENING TO ANY ADJACENT WALL OR OBSTRUCTION ON THE PULL SIDE OF THE OPENING.
- ALL DOORS WITH CLOSERS SHALL HAVE 12" CLEAR DISTANCE FROM THE LATCHSIDE OF THE OPENING TO ANY ADJACENT WALL OR OBSTRUCTION ON THE PUSH SIDE OF THE OPENING.
- ALL SIGNAGE SHALL BE MOUNTED 60" AFF TO BRILLE COMPONENT AT LATCH-SIDE WALL OF DOORS AND OPENINGS.