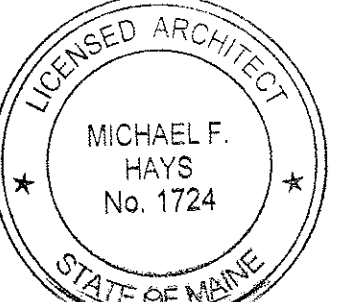




GRANT HAYS
ASSOCIATES

ARCHITECTURE & INTERIOR DESIGN
P.O. BOX 6179 FALMOUTH MAINE 04105
207.871.5900 www.granthays.com

J/DAL



Michael F. Hays
REV/10/11

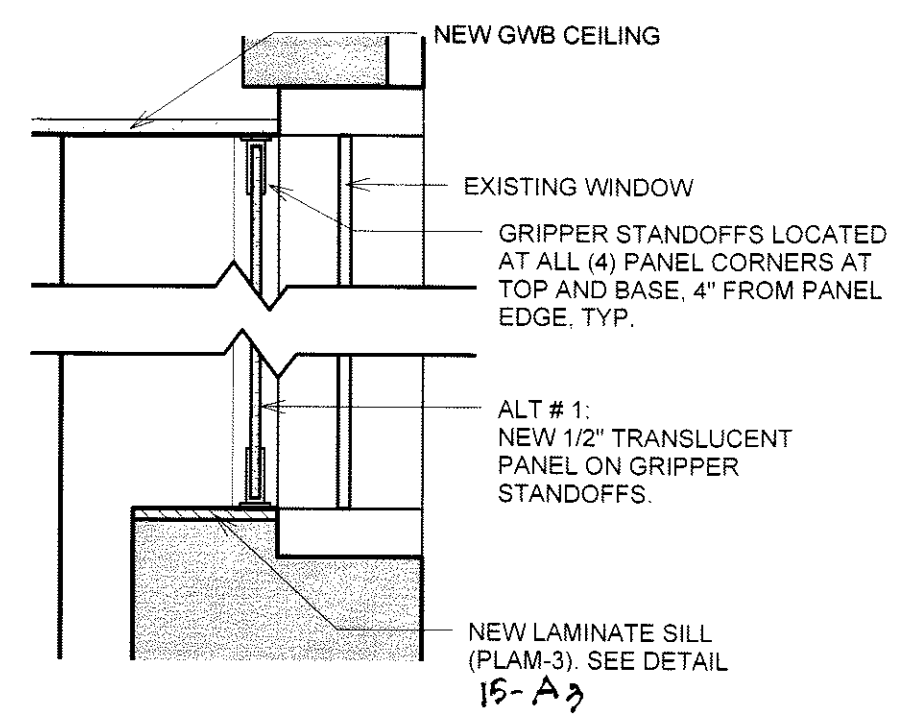
DRAWING NAME

2ND FLOOR TOILET
UP GRADES & MEMIC
19 CROSS ST. / 201 COMMERCIAL ST.
PORTLAND, MAINE 04101

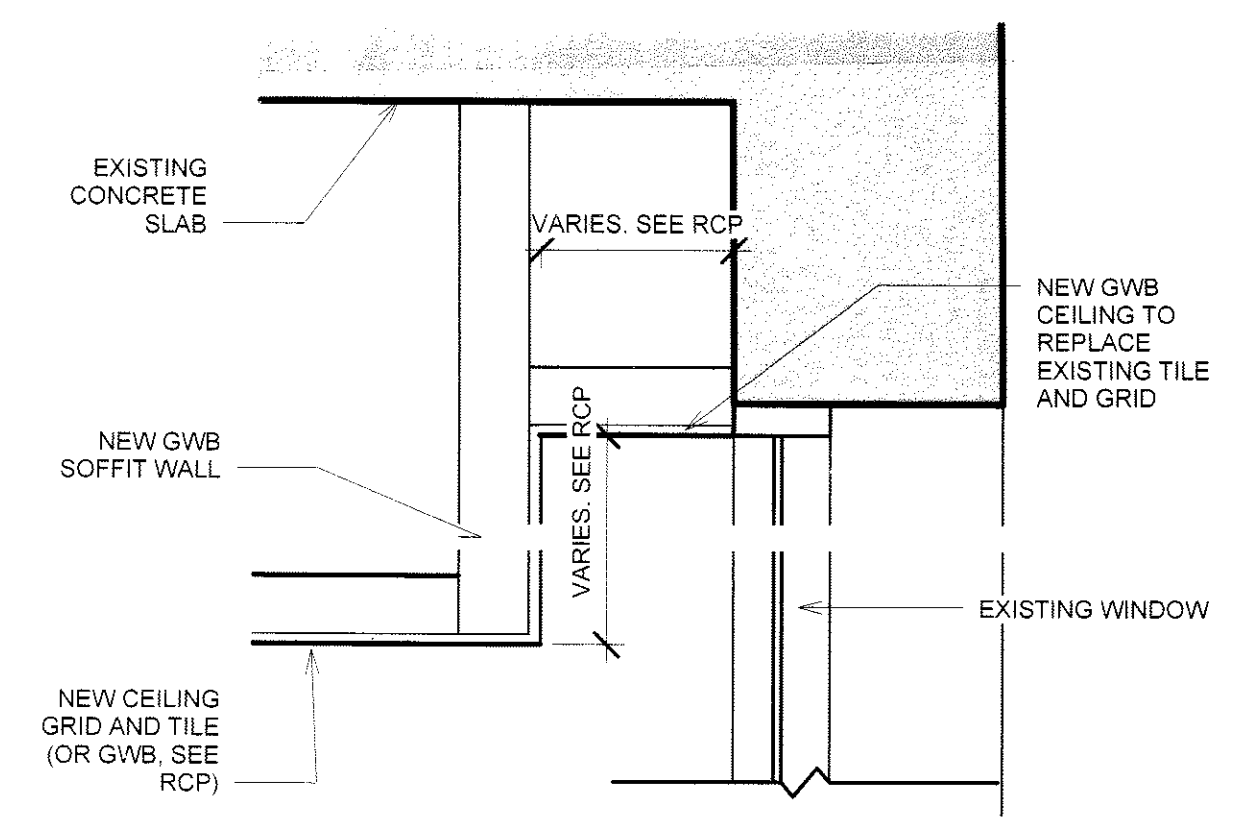
J/HELT

DETAILS
COURTESY OF MEMIC

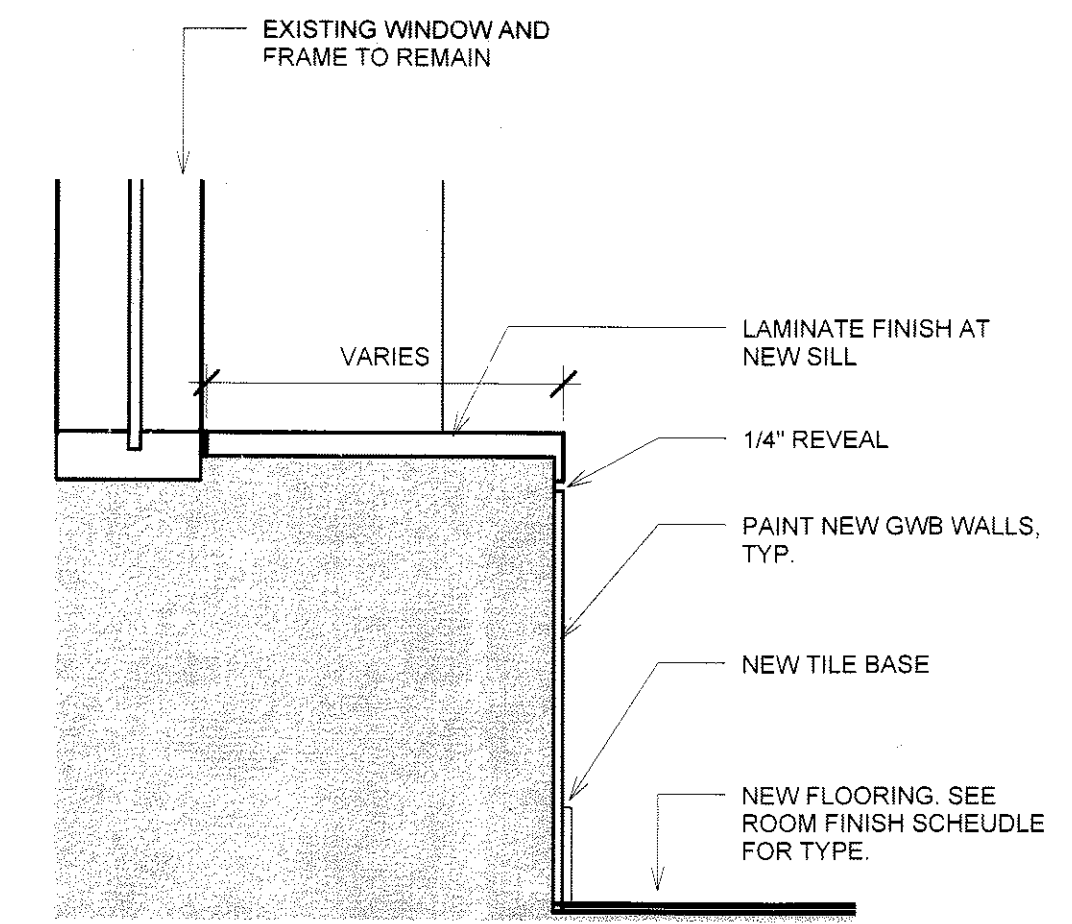
DATE 9/30/2014
SCALE AS NOTED
DRAWN MFH
JOB NO. 140619
J/HELT
A3



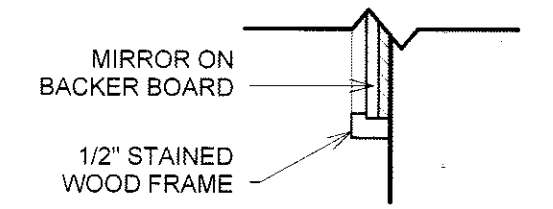
9 SECTION DETAIL AT WINDOW PANELING (ALT # 1)
1 1/2" = 1'-0"



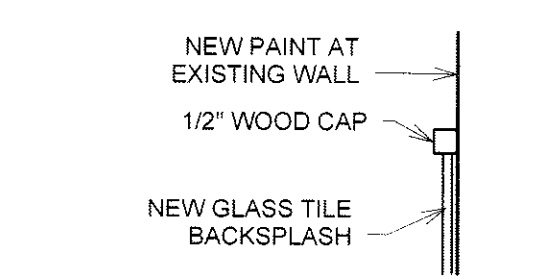
3 CEILING AT WINDOW HEAD DETAIL
1" = 1'-0"



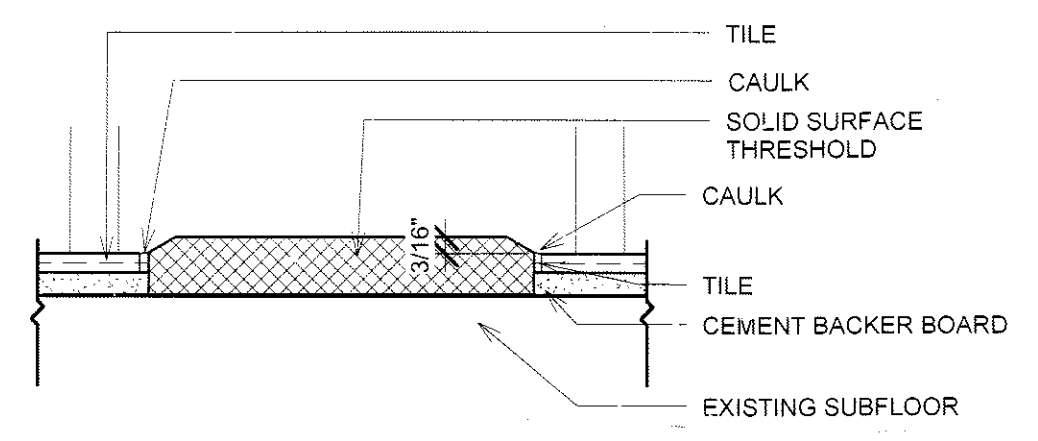
15 TYPICAL WINDOW SILL DETAIL @ BATHROOMS
1 1/2" = 1'-0"



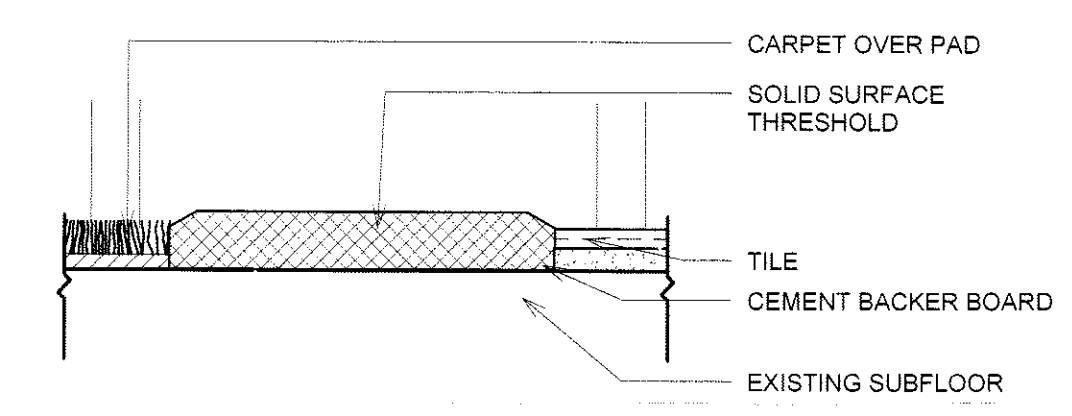
13 MIRROR FRAME DETAIL
3" = 1'-0"



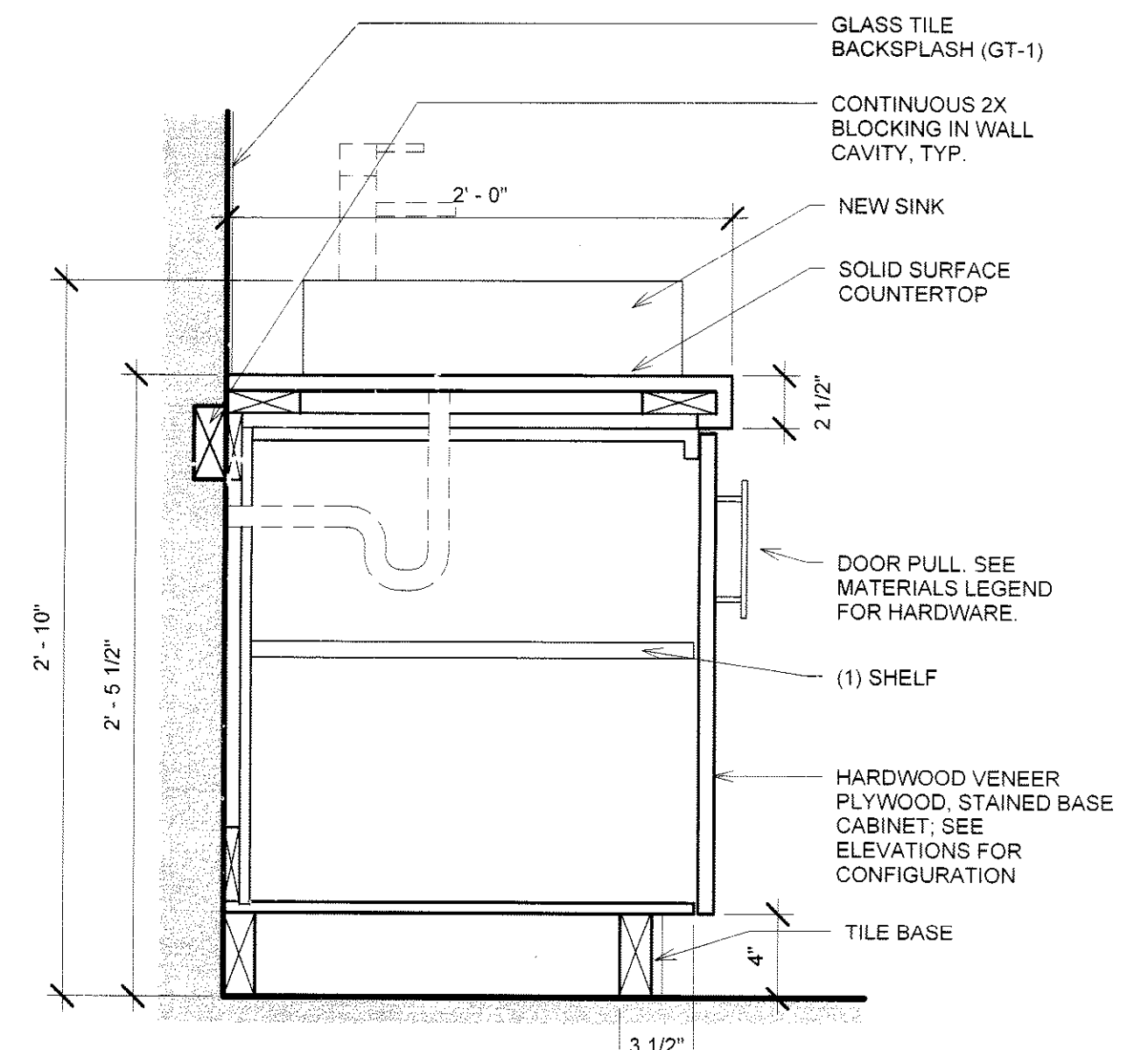
14 WOOD TRIM AT BATHROOM TILE
3" = 1'-0"



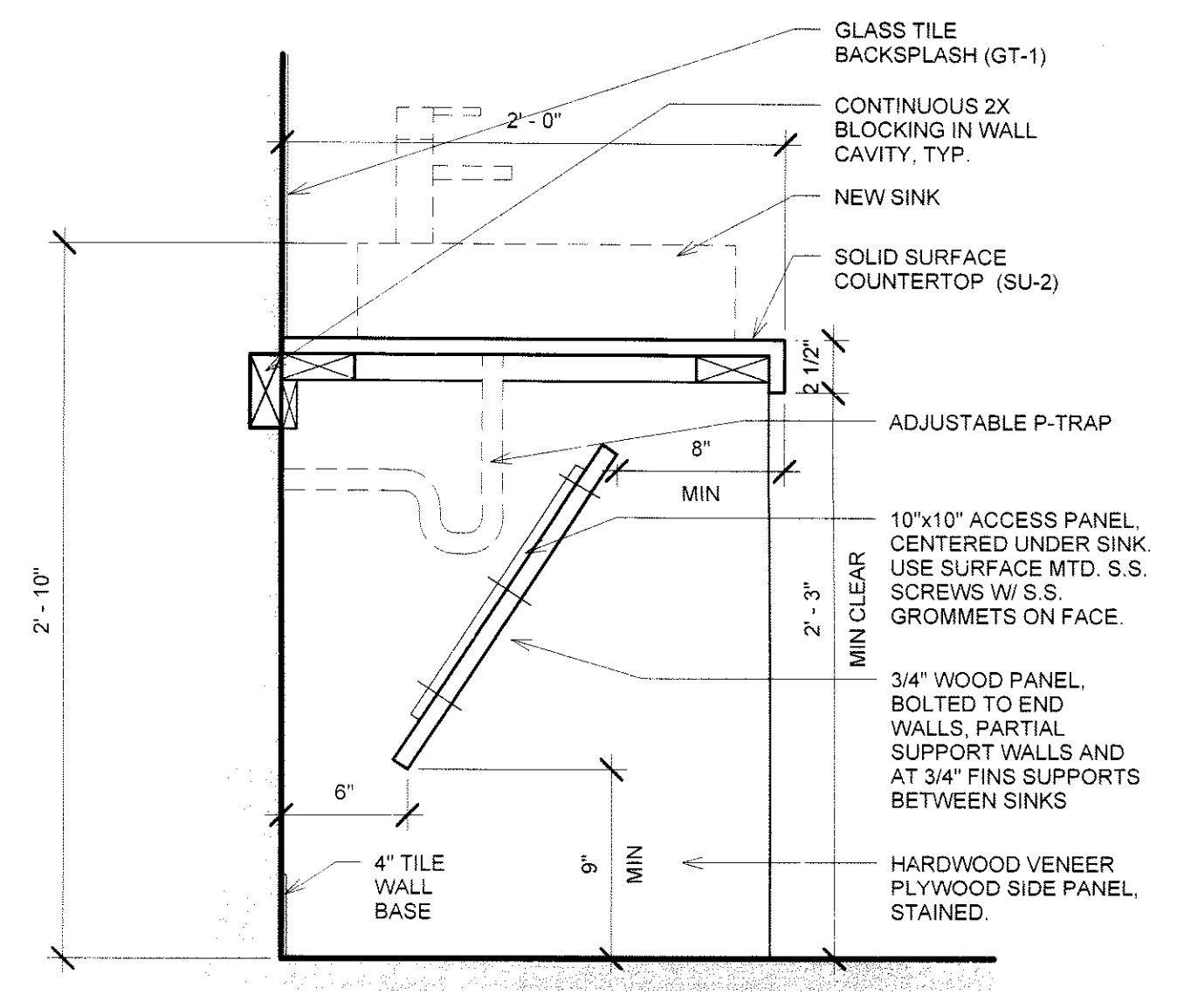
FLOOR TRANSITION - OT TO OT



FLOOR TRANSITION - CPT TO OT



6 BATHROOM BASE CABINET
1 1/2" = 1'-0"



7 BATHROOM @ ADA SINK
1 1/2" = 1'-0"